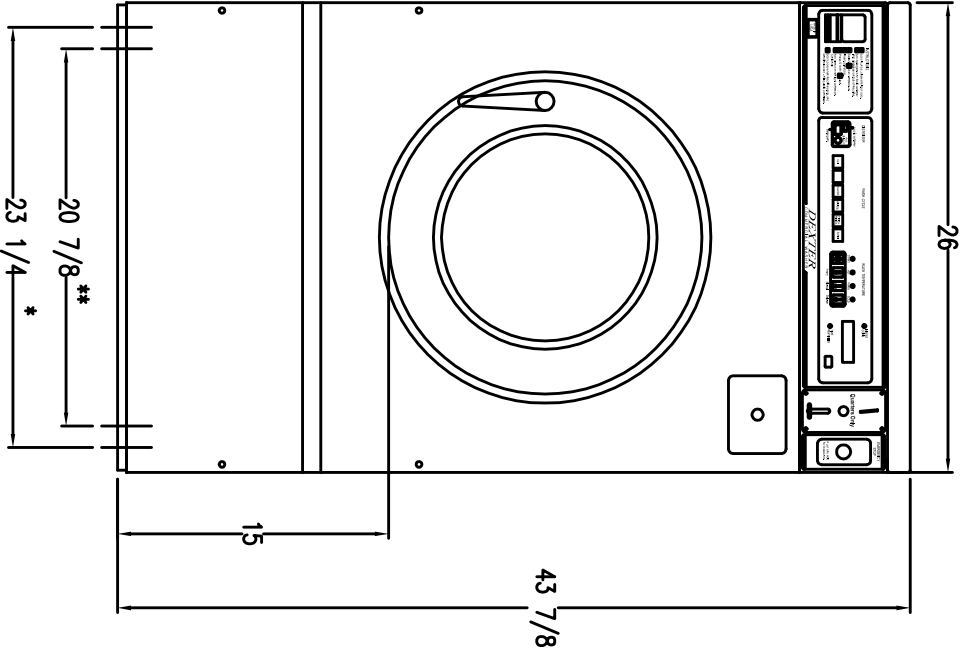
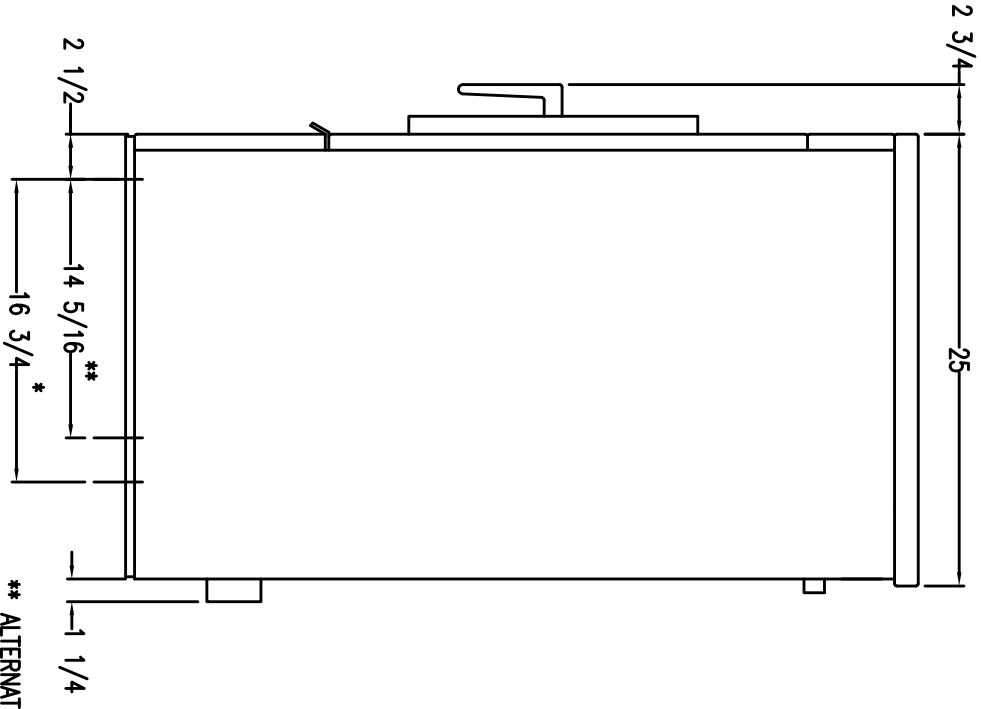


# T300 COMMERCIAL WASHER MOUNTING DIMENSIONS

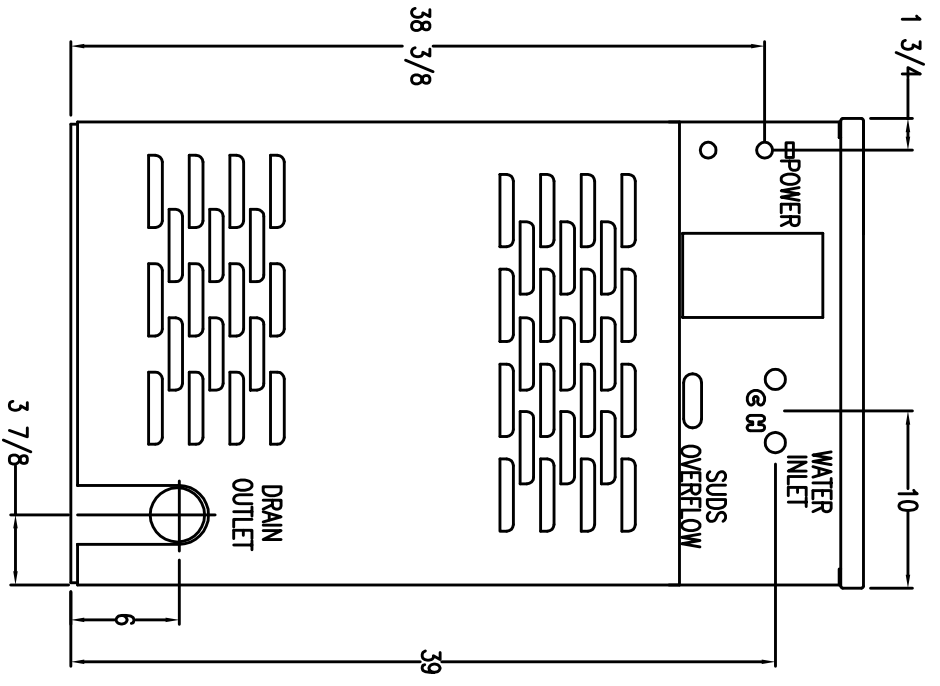


FRONT



SIDE

\*\* ALTERNATE  
\* RECOMMENDED



REAR