



DC0030__-10
DC0050__-10
DC0080__-10

Section 5:

Dryer Parts Data

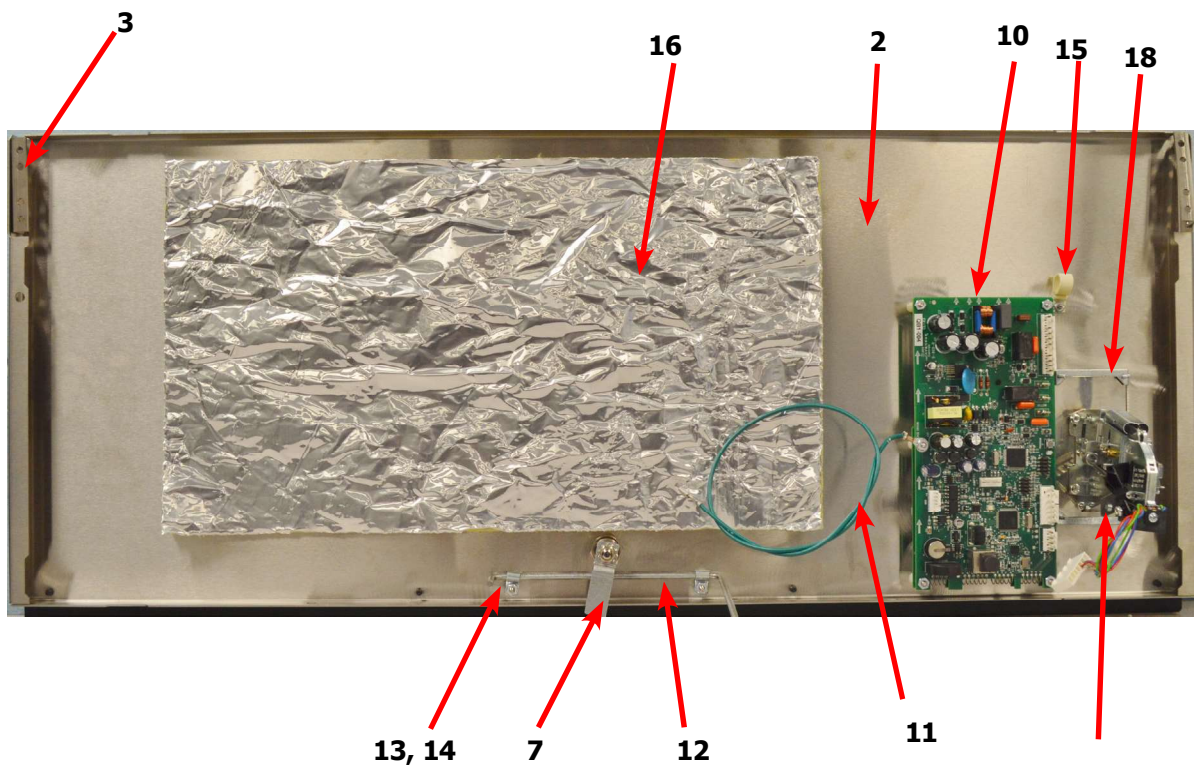
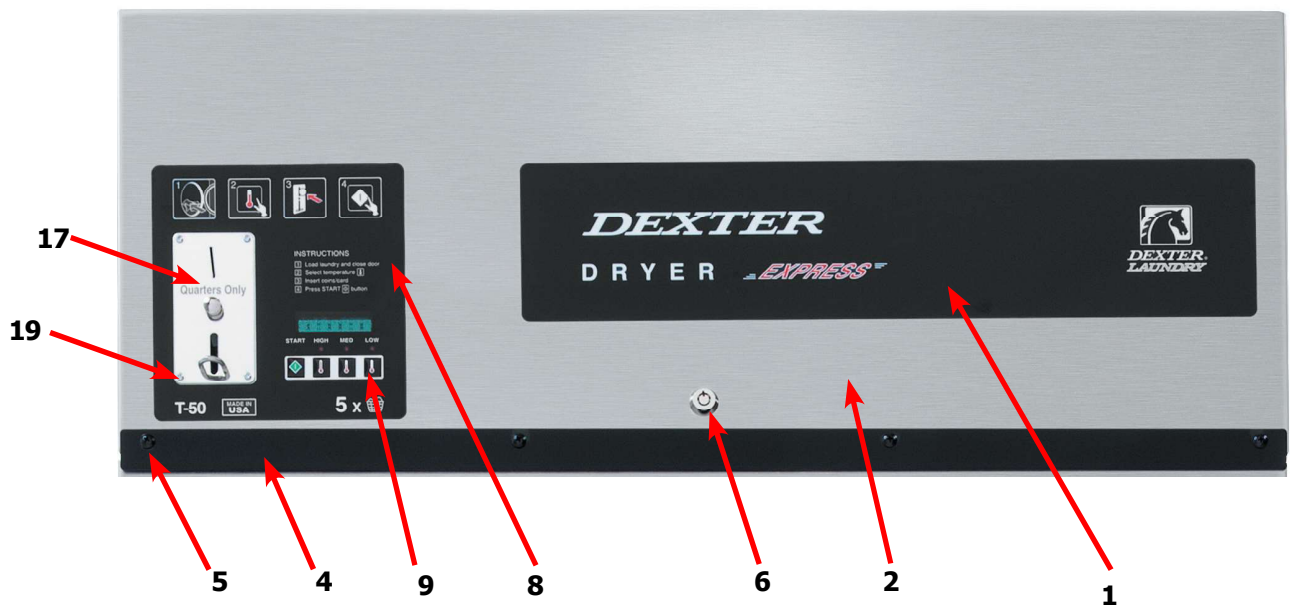
| Key | Description | T-30 | T-50 | T-80 | QTY |
|-----|---|--------------|--------------|--------------|-----|
| 1 | Loading Door Complete SS/ Brushed SS/Blk | 9960-306-001 | 9960-305-001 | 9960-305-001 | 1 |
| 1 | Loading Door Complete Wht/ Brushed SS/Blk | 9960-306-003 | 9960-305-003 | 9960-305-003 | 1 |
| 2 | Door Assy, Loading (Ring only) Brushed SS | 9960-255-008 | 9960-284-002 | 9960-284-002 | 1 |
| 3 | Plate Assy, Hinge (SS) | 9982-374-001 | 9982-368-001 | 9982-368-001 | 1 |
| 3 | Plate Assy, Hinge (Wht) | 9982-374-003 | 9982-368-003 | 9982-368-003 | 1 |
| * | Cover-Hinge Back, Black | 9074-341-002 | 9074-340-002 | 9074-340-002 | 1 |
| * | Screw-10Bx3/8, Black | 9545-008-010 | 9545-008-010 | 9545-008-010 | 2 |
| * | Screw Hinge to Door | 9545-012-015 | 9545-012-015 | 9545-012-015 | 4 |
| * | Nut, Hinge to Door | 8640-413-002 | 8640-413-002 | 8640-413-002 | 4 |
| 4 | Glass, Door | 9212-002-003 | 9212-002-004 | 9212-002-004 | 1 |
| 5 | Gasket, Door Glass (Black) | 9206-413-001 | 9206-413-002 | 9206-413-002 | 1 |
| * | Support Door Glass | 9548-117-000 | 9548-117-000 | 9548-117-000 | 2 |
| 6 | Gasket, Door Outer Rim (Black) | 9206-420-003 | 9206-420-005 | 9206-420-005 | 1 |
| 7 | Handle, Loading Door | 9244-082-001 | 9244-082-001 | 9244-082-001 | 1 |
| * | Screw, Handle | 9545-018-017 | 9545-018-017 | 9545-018-017 | 2 |
| 8 | Stud Door Catch | 9531-033-001 | 9531-033-002 | 9531-033-002 | 1 |
| 9 | Nut-Hex, #10-32 | 8640-413-001 | 8640-413-001 | 8640-413-001 | 1 |
| 10 | Nut, Acorn | 8640-413-003 | 8640-413-003 | 8640-413-003 | 1 |
| * | Catch, Loading Door | 9086-015-002 | 9086-015-002 | 9086-015-002 | 2 |
| * | Rivit | 8638-190-009 | 8638-190-009 | 8638-190-009 | 4 |
| 11 | Strap, Hinge (Black) | 9966-015-002 | 9966-014-002 | 9966-014-002 | 1 |
| * | Plate Assy-Backup, Hinge | 9982-371-001 | 9982-356-001 | | 1 |
| * | Plate Assy-Backup, Hinge | | | 9982-369-001 | 1 |
| * | Reinforcement-Front panel | | | 9817-003-001 | 1 |
| 12 | Screw-Phillips, 10-32x1/2 Chrome | 9545-012-003 | 9545-012-003 | 9545-012-003 | 4 |
| * | Screw-Phillips-Counter sink, 10- 32x1/2 Chrome | NA | 9545-012-028 | 9545-012-028 | 4 |
| 13 | Screw-Special, Hinge to Door | 9545-052-001 | 9545-052-001 | 9545-052-001 | 1 |
| * | Nut-Allen, 1/4-20 | 8640-439-001 | 8640-439-001 | 8640-439-001 | 1 |
| 14 | Washer-Fiber/Plastic | 8641-436-003 | 8641-436-003 | 8641-436-003 | 1 |
| 15 | Front Panel Assy (SS) | 9454-869-001 | 9454-865-001 | 9454-867-001 | 1 |
| 15 | Front Panel Assy (Wht) | 9454-869-003 | 9454-865-003 | 9454-867-003 | 1 |
| 16 | Screw-Phillips, 10Bx1 3/4 | 9545-008-014 | 9545-008-014 | 9545-008-014 | 4 |
| 17 | Washer-Finish | 8641-585-001 | 8641-585-001 | 8641-585-001 | 4 |
| * | Nut-Spring | 8640-399-001 | 8640-399-001 | 8640-399-001 | 4 |
| * | Insulation-Front Panel, Top Half | 9277-062-001 | 9277-057-001 | 9277-058-001 | 1 |
| * | Insulation-Front Panel, Bottom Half | 9277-062-002 | 9277-057-001 | 9278-058-002 | 1 |
| * | Switch-Door Closed | 9539-492-001 | 9539-492-001 | 9539-492-001 | 1 |
| * | Wire-Assy, Blk | 8220-063-026 | 8220-063-026 | 8220-063-026 | 1 |
| * | Wire-Assy-Blu | 8220-063-009 | 8220-063-009 | 8220-063-009 | 1 |
| 20 | Coin Box Blue | 9807-099-002 | 9807-099-002 | 9807-099-002 | 1 |
| 20 | Coin Box Black | 9807-099-004 | 9807-099-004 | 9807-099-004 | 1 |
| 21 | Label-Warning, Dryer (Blue) | 8502-758-002 | 8502-758-002 | 8502-758-002 | 1 |
| 21 | Label-Warning, Dryer (Black) | 8502-758-001 | 8502-758-001 | 8502-758-001 | 1 |
| * | Label-Warning, French, Spanish | 8502-764-001 | 8502-764-001 | 8502-764-001 | 1 |
| * | Cabinet Touch Up Paint (White) | 9472-001-013 | 9472-001-013 | 9472-001-013 | 1 |

Dryer Cabinet Group



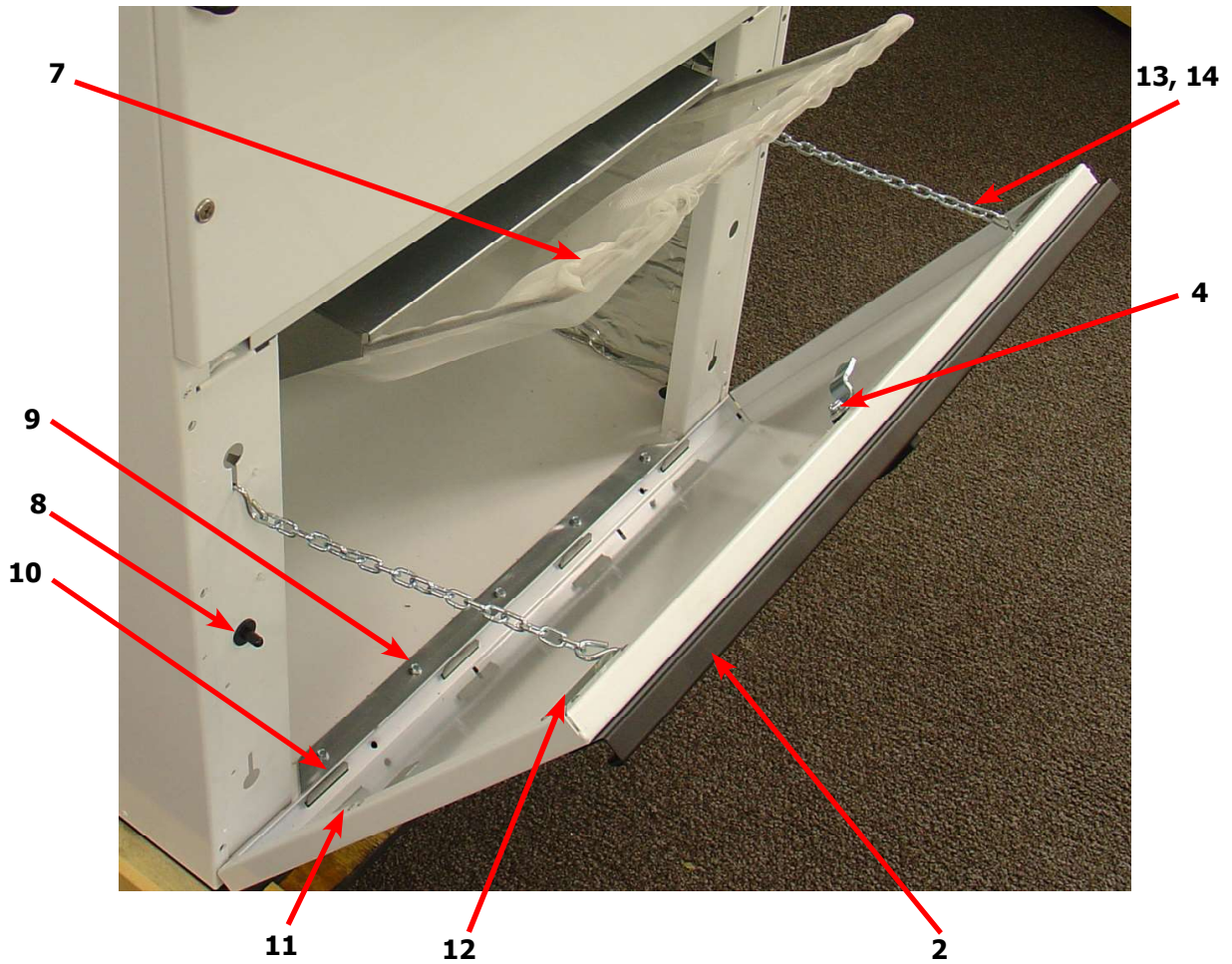
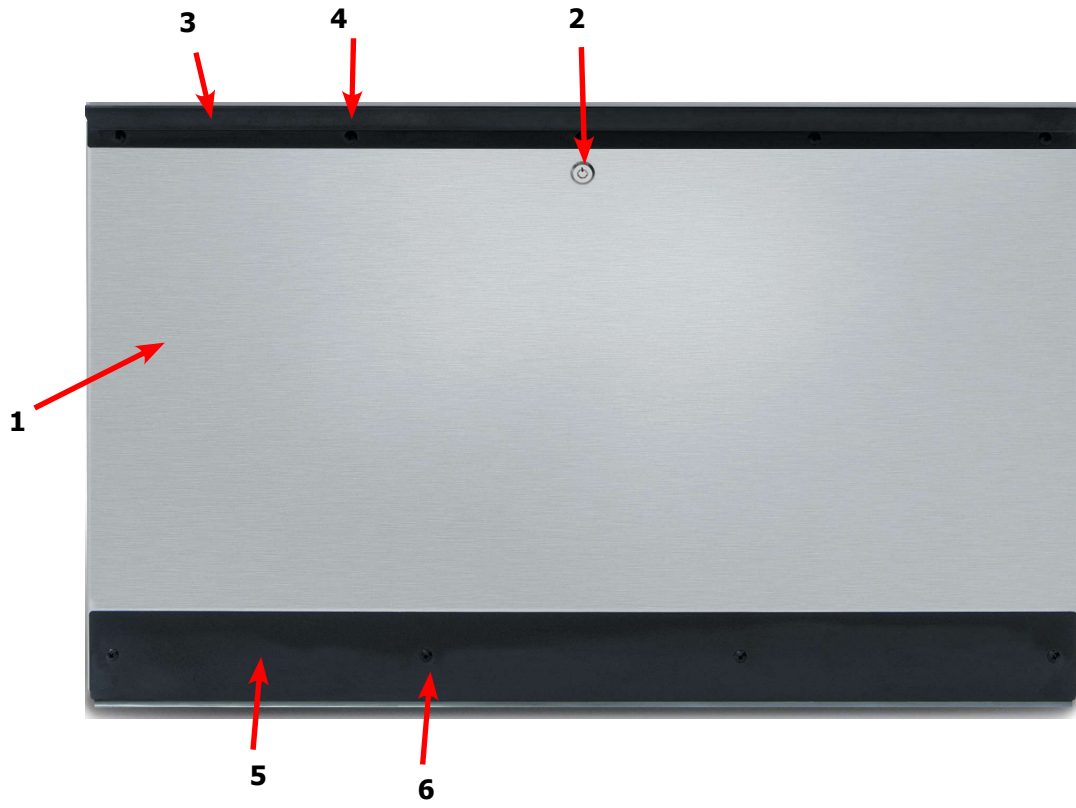
Dryer Cabinet Group Continued

| Key | Description | T-30 | T-50 | T80 | QTY |
|-----|----------------------------------|--------------|--------------|--------------|-----|
| 1 | Nameplate - Dexter Dryer Blue | 9412-216-002 | 9412-216-002 | 9412-216-002 | 1 |
| 1 | Nameplate - Dexter Dryer Black | 9412-216-001 | 9412-216-001 | 9412-216-001 | 1 |
| 2 | Door Assy-Upper, Coin (SS) | 9960-311-001 | 9960-312-001 | 9960-313-001 | 1 |
| 2 | Door Assy-Upper, Coin (Wht) | 9960-311-003 | 9960-312-003 | 9960-313-003 | 1 |
| 3 | Bracket-Hinge | 9029-224-001 | 9029-224-001 | 9029-224-001 | 2 |
| * | Rivit- 3/16, Hinge to Door | 9491-009-001 | 9491-009-001 | 9491-009-001 | 2 |
| * | Rivit- 3/16, Hinge to Cabinet | 9491-009-001 | 9491-009-001 | 9491-009-001 | AR |
| 4 | Trim-Upper Service Door, Black | 9578-098-002 | 9578-094-002 | 9578-096-002 | 1 |
| 5 | Screw-Phillips, 10Bx3/8, Black | 9545-008-010 | 9545-008-010 | 9545-008-010 | 4 |
| 6 | Lock Assy and Key Upper | 8650-012-003 | 8650-012-003 | 8650-012-003 | 1 |
| * | Lock Spacer | 9538-189-001 | 9538-189-001 | 9538-189-001 | * |
| 7 | Cam Lock Upper Door | 9095-047-001 | 9095-047-001 | 9095-047-001 | 1 |
| * | Key, 6324 | 6292-006-007 | 6292-006-007 | 6292-006-007 | 1 |
| 8 | Overlay-Control, Coin, Blue | 9435-042-002 | 9435-046-002 | 9435-047-002 | 1 |
| 8 | Overlay-Control, Coin, Black | 9435-042-001 | 9435-046-001 | 9435-047-001 | 1 |
| 9 | Button-Push, Control, Blue | 9035-062-001 | 9035-062-001 | 9035-062-001 | 1 |
| 9 | Button-Push, Control, Black | 9035-062-002 | 9035-062-002 | 9035-062-002 | 1 |
| * | Spacer-Push Button (Micro) | 9538-192-001 | 9538-192-001 | 9538-192-001 | 2 |
| * | Retainer-Push Button (Micro) | 9486-150-001 | 9486-150-001 | 9486-150-001 | |
| * | Nut, Hex-Elastistop, #4-40 | 8640-424-002 | 8640-424-002 | 8640-424-002 | 2 |
| 10 | PCB-Controler | 9471-022-001 | 9471-022-001 | 9471-022-001 | 1 |
| * | Spacer-#6 x 9/16 | 9538-157-018 | 9538-157-018 | 9538-157-018 | 3 |
| * | Spacer #6 x 7/8 | 9538-157-017 | 9538-157-017 | 9538-157-017 | 2 |
| * | Nut- #6-32 | 8640-411-003 | 8640-411-003 | 8640-411-003 | 4 |
| | Nut- #6-32 (Grounding nut) | 8640-411-001 | 8640-411-001 | 8640-411-001 | 1 |
| 11 | Wire Assy-GRN, 24" | 8220-137-001 | 8220-137-001 | 8220-137-001 | 1 |
| * | Harness, Main | 9627-912-001 | 9627-912-002 | 9627-912-003 | 1 |
| 12 | Support-Upper Service Door | 9548-288-001 | 9548-288-002 | 9548-288-002 | 1 |
| 13 | Clamp-Tube | 9079-121-002 | 9079-121-002 | 9079-121-002 | 2 |
| 14 | Nut, #6-32 | 8640-411-003 | 8640-411-003 | 8640-411-003 | 2 |
| 15 | Clamp-Cable, 1/2" | 8654-125-006 | 8654-125-006 | 8654-125-006 | 1 |
| * | Nut, #6-32 | 8640-411-003 | 8640-411-003 | 8640-411-003 | 1 |
| 16 | Insulation | 9277-041-016 | 9277-041-016 | 9277-041-016 | 1 |
| 17 | Coin Acceptor | 9021-042-001 | 9021-042-001 | 9021-042-001 | 1 |
| 18 | Retainer-Coin Acceptor | 9486-149-001 | 9486-149-001 | 9486-149-001 | 2 |
| 19 | Screws-Torq, 4Bx5/8 ss | 9545-053-002 | 9545-053-002 | 9545-053-002 | 4 |
| * | Switch Assembly, Optical, Single | 9150-099-002 | 9150-099-002 | 9150-099-002 | 1 |
| * | Coin Shute | 9940-017-001 | 9940-017-001 | 9940-017-001 | 1 |
| * | Screw | 9545-008-001 | 9545-008-001 | 9545-008-001 | 1 |
| * | Thumb Drive | 9150-045-002 | 9150-045-002 | 9150-045-002 | 1 |
| * | Nut, Elastic Stop | 8640-413-004 | 8640-413-004 | 8640-413-004 | * |



Dryer Cabinet Group Continued

| Key | Description | T-30 | T-50 | T80 | QTY |
|-----|--------------------------------|--------------|--------------|--------------|-----|
| 1 | Door-Lower Service, Coin, SS | 9108-130-001 | 9108-122-001 | 9108-126-001 | 1 |
| 1 | Door-Lower Service, Coin, Wht | 9108-130-003 | 9108-122-003 | 9108-126-003 | 1 |
| 2 | Lock Assy and Key Lower Door | 8650-012-004 | 8650-012-004 | 8650-012-004 | 1 |
| * | Lock Spacer | 9538-189-001 | 9538-189-001 | 9538-189-001 | * |
| * | Cam Lock Lower Door | 9095-048-001 | 9095-048-001 | 9095-048-001 | 1 |
| * | Washer-Flat | 8641-581-041 | 8641-581-041 | 8641-581-041 | 2 |
| 3 | Handle-Door, Lower Service | 9244-084-002 | 9244-087-002 | 9244-088-002 | 1 |
| 4 | Screw-Phillips, 10Bx3/8, Black | 9545-008-010 | 9545-008-010 | 9545-008-010 | 5 |
| 5 | Trim-Lower Kick, Black | 9578-099-002 | 9578-095-002 | 9578-097-002 | 1 |
| 6 | Screw-Phillips, 10Bx3/8, Black | 9545-008-010 | 9545-008-010 | 9545-008-010 | 4 |
| 7 | Screen Assy, Lint | 9822-026-002 | 9822-026-001 | 9822-031-002 | 1 |
| 8 | Switch-Door Closure | 9539-492-001 | 9539-492-001 | 9539-492-001 | 1 |
| 9 | Hinge-Door, Lower | 9243-081-001 | 9243-082-001 | 9243-082-001 | 1 |
| 10 | Screw-5/16, 10ABx3/8 | 9545-008-024 | 9545-008-024 | 9545-008-024 | 5 |
| 11 | Bracket-Door Switch | 9029-226-001 | 9029-226-001 | 9029-226-001 | 1 |
| * | Rivit, 1/8 Low Profile | 9491-009-004 | 9491-009-004 | 9491-009-004 | 2 |
| 12 | Bracket-Chain | 9029-223-001 | 9029-223-001 | 9029-223-001 | 2 |
| * | Rivit, 1/8 Low Profile | 9491-009-004 | 9491-009-004 | 9491-009-004 | 8 |
| 13 | Hook, "S" Type | 9248-022-002 | 9248-022-002 | 9248-022-002 | 4 |
| 14 | Chain | 9099-012-006 | 9099-012-006 | 9099-012-006 | 2 |
| * | Leg, Leveling 1/2" | 8544-006-001 | 8544-006-001 | 8544-006-001 | 4 |
| * | Leveling Leg Wrench | 8545-061-002 | 8545-061-002 | 8545-061-002 | 1 |

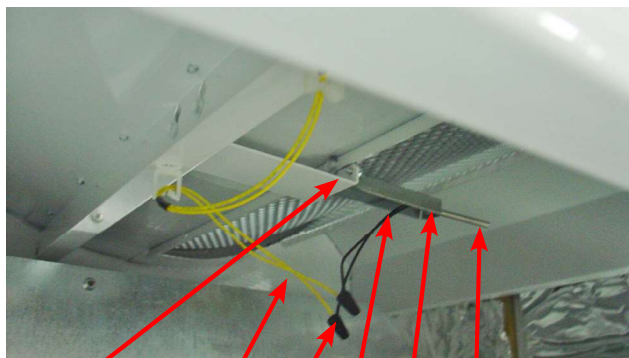


Dryer Cabinet Group Continued

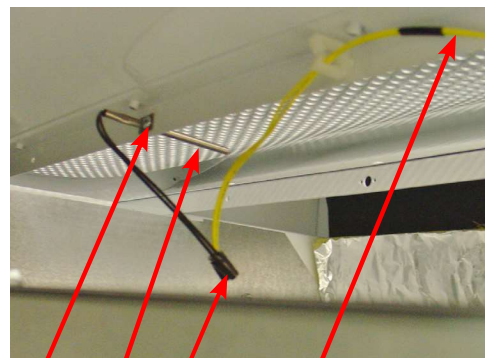
| Key | Description | T-30 | T-50 | T80 | QTY |
|-----|---------------------------------------|--------------|--------------|--------------|-----|
| 1 | Insulation, Upper service Door | 9277-041-006 | 9277-041-016 | 9277-041-016 | 1 |
| 2 | Insulation, RH Burnner | 9277-041-019 | 9277-041-019 | 9277-041-023 | 1 |
| 3 | Insulation Tumbler Area, above Baffle | 9277-041-020 | 9277-051-003 | 9277-041-021 | 2 |
| 3 | Insulation Tumbler Area, above Baffle | | 9277-051-003 | 9277-041-021 | 2 |
| 4 | Insulation Tumbler Area, below baffle | 9277-041-020 | 9277-051-003 | 9277-051-004 | 2 |
| 4 | Insulation Tumbler Area, below baffle | | 9277-051-003 | 9277-051-004 | 2 |
| 5 | Insulation Lint Compartment | 9277-041-021 | 9241-041-024 | 9277-041-025 | 2 |
| * | Screen Assy, Lint | 9822-026-002 | 9822-026-001 | 9822-031-002 | 1 |
| 6 | Switch-Door Closure | 9539-492-001 | 9539-492-001 | 9539-492-001 | 1 |
| 7 | Hinge-Door, Lower | 9243-081-001 | 9243-082-001 | 9243-082-001 | 1 |
| 8 | Screw-5/16, 10ABx3/8 | 9545-008-024 | 9545-008-024 | 9545-008-024 | AR |
| 9 | Lint Hood-Back | 9240-038-001 | 9240-041-001 | 9240-044-001 | 1 |
| 10 | Nut Wizlock, 8-32 | 8640-412-004 | 8640-412-004 | 8640-412-004 | 6 |
| 11 | Lint hood, LH | 9240-040-001 | 9240-043-001 | 9240-046-001 | 1 |
| 12 | Lint hood, RH | 9240-040-002 | 9240-043-002 | 9240-046-002 | 1 |
| 13 | Lint hood, Top | 9240-039-001 | 9240-042-001 | 9240-045-001 | 1 |
| 14 | Screw, 5/16- 10ABx3/8 | 9545-008-024 | 9545-008-024 | 9545-008-024 | 14 |
| 15 | Impeller, w/set screws | 9278-043-001 | 9278-038-004 | 9278-037-003 | 1 |
| 16 | Harness -Temp Probe | 9627-679-002 | 9627-679-002 | 9627-679-002 | 1 |
| 17 | Wire Nut, #71B | 8640-276-005 | 8640-276-005 | 8640-276-005 | 2 |
| 18 | Bracket, Temp Probe | 9029-197-001 | NA | NA | 1 |
| 19 | Screw-5/16, 10ABx3/8 | 9545-008-024 | NA | NA | 1 |
| 20 | Temp Probe | 9501-004-002 | 9501-004-002 | 9501-004-002 | 1 |
| 21 | Screw-Phillips, 8Bx1/4 | 9545-045-005 | 9545-045-005 | 9545-045-005 | 1 |
| 22 | Vault, Coin | 9942-039-002 | 9942-039-002 | 9942-039-002 | 1 |
| * | Plate Assy/Coin vault mounting | 9982-338-001 | 9982-338-001 | 9982-338-001 | 1 |
| * | Nut/ Hexelastic stop | 8640-413-004 | 8640-413-004 | 8640-413-004 | 2 |
| 23 | Coin Shute | 9940-017-001 | 9940-017-001 | 9940-017-001 | 1 |
| * | Screw, 10Bx1/4 | 9545-008-001 | 9545-008-001 | 9545-008-001 | 1 |
| 24 | Harness, Main | 9627-912-001 | 9627-912-002 | 9627-912-003 | 1 |

30lb Temp Probe

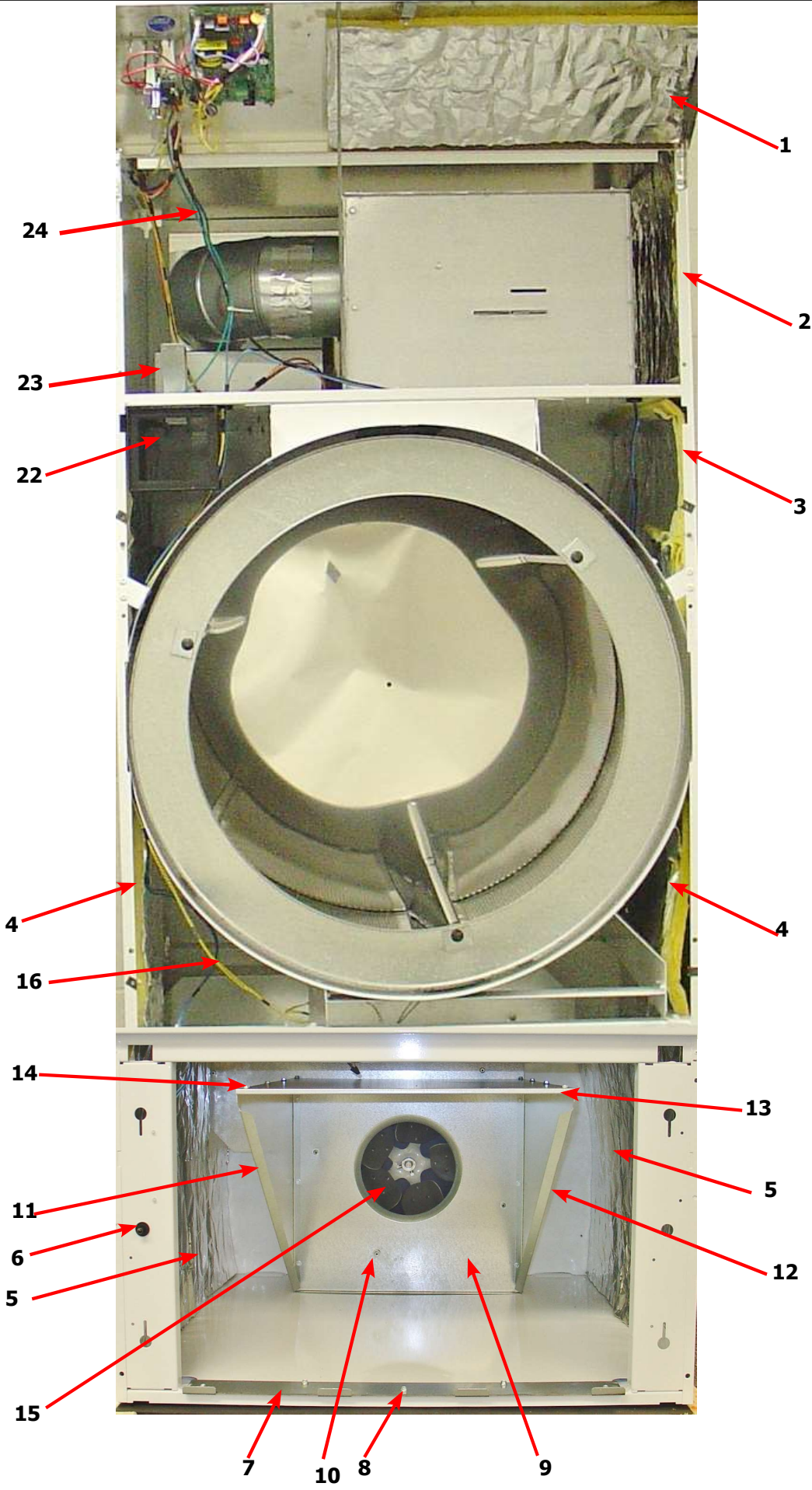
50lb & 80lb Temp Probe



19 16 17 18 21 20

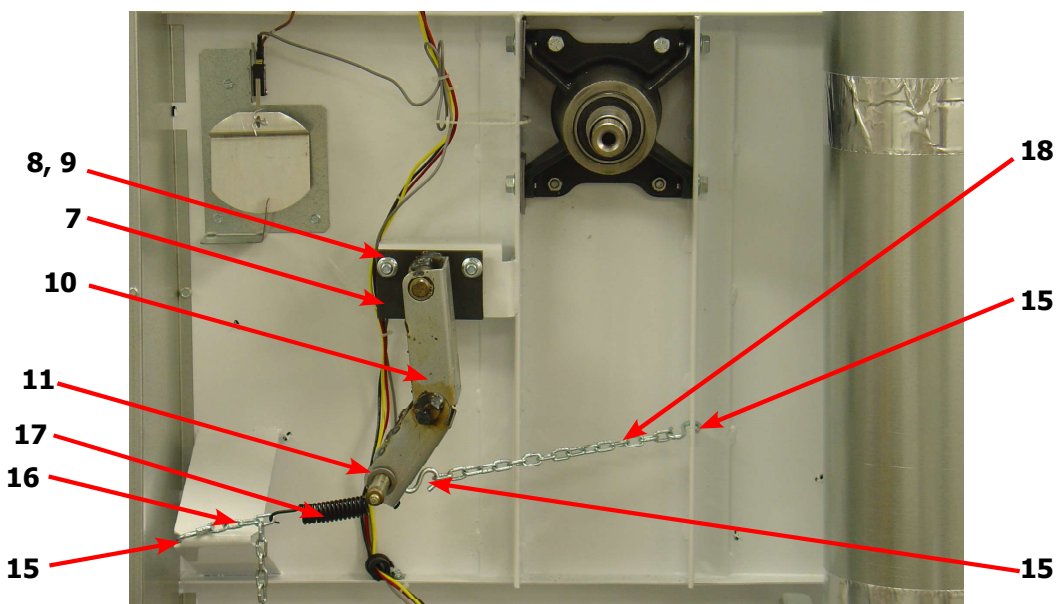


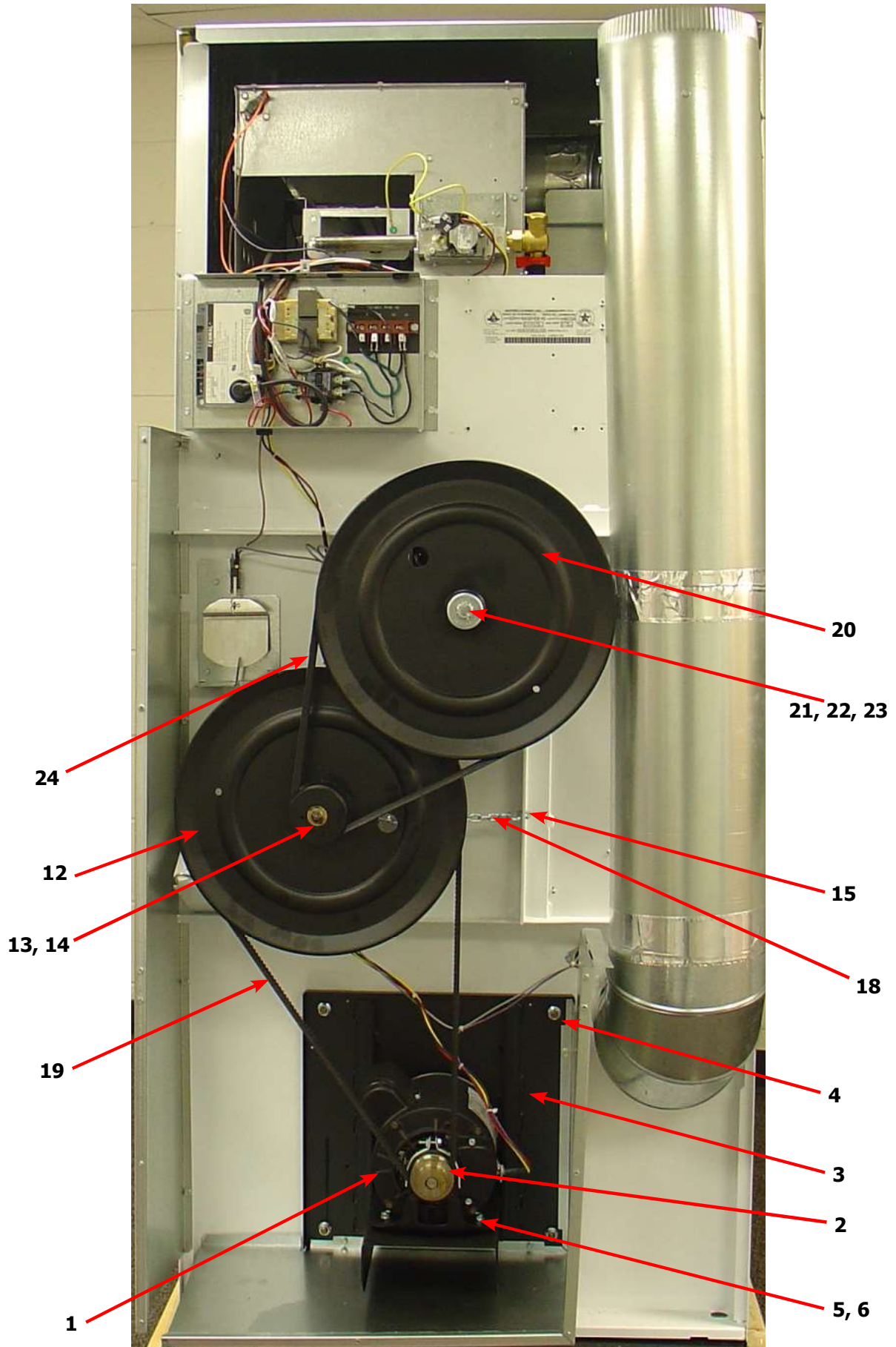
21 20 17 16



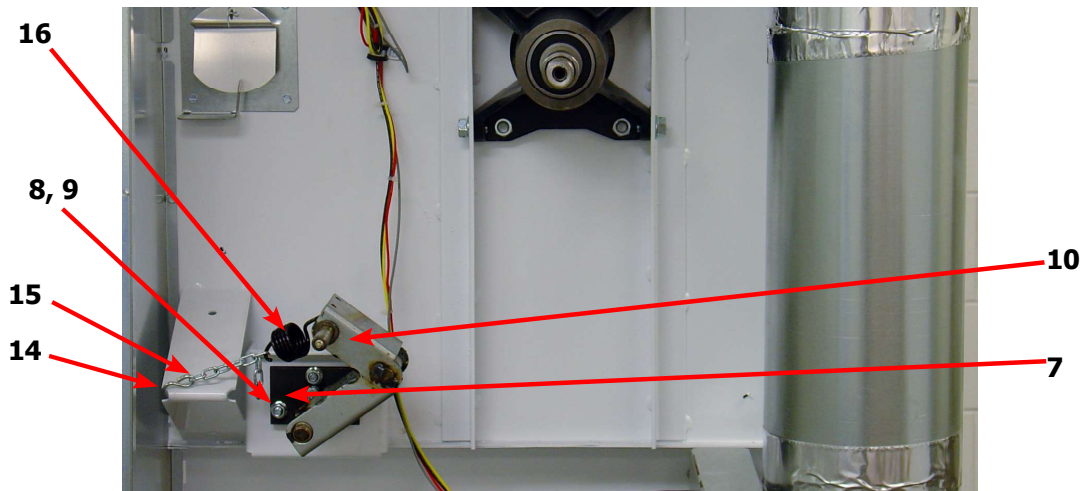
Dryer Rear View 30Lb

| Key | Description | T-30 | QTY |
|-----|----------------------------------|--------------|-----|
| 1 | Motor | 9376-311-003 | 1 |
| 2 | Pulley | 9453-157-001 | 1 |
| * | Set screw | 9545-028-013 | 1 |
| 3 | Plate, Motor mounting | 9982-370-002 | 1 |
| * | Gasket, Motor Plate | 9206-428-001 | 1 |
| 4 | Nut-3/8-16, Plate to cabinet | 8640-415-004 | 4 |
| * | Impeller w/set screw | 9278-043-001 | 1 |
| 5 | Screw, 5/16-18x5/8 | 9545-014-004 | 4 |
| 6 | Nut, 3/8-16 | 8640-415-004 | 4 |
| 7 | Support Arm, Intermediate pulley | 9991-053-001 | 1 |
| 8 | Bolt- 3/8-16x1 1/4 | 9545-029-010 | 3 |
| 9 | Nut, Wizlock, 3/8x16 | 8640-415-004 | 3 |
| * | Cap Screw, 3/8-16x1 1/2 | 9545-029-003 | 1 |
| * | Snap Ring | 9487-200-003 | 1 |
| * | Washer-Flat, 3/8x1 | 8641-581-020 | 1 |
| 10 | Idler Arm Assembly | 9861-022-001 | 1 |
| 11 | Washer-Flat, 3/8x1 | 8641-581-020 | 2 |
| 12 | Pulley, Idler w/Bearings | 9908-039-004 | 1 |
| 13 | Bearing, Bronze | 9036-145-002 | 2 |
| 14 | Snap Ring | 9487-200-003 | 1 |
| 15 | Hook "S" type | 9248-022-002 | 3 |
| 16 | Chain, Spring tension | 9099-012-002 | 1 |
| 17 | Spring, tension | 9534-319-002 | 1 |
| 18 | Chain, Limit | 9099-012-007 | 1 |
| 19 | Belt Drive | 9040-076-003 | 1 |
| * | Tolerance Ring | 9487-234-005 | 1 |
| 20 | Pulley, Driven | 9908-049-002 | 1 |
| 21 | Washer-Flat, 1/2 | 8641-581-021 | 1 |
| 22 | Washer-Lock, Ext. tooth, 1/2 | 8641-582-016 | 1 |
| 23 | Bolt-3/4, 1/2-13x1/14 | 9545-017-019 | 1 |
| 24 | Belt, Driven | 9040-073-009 | 1 |

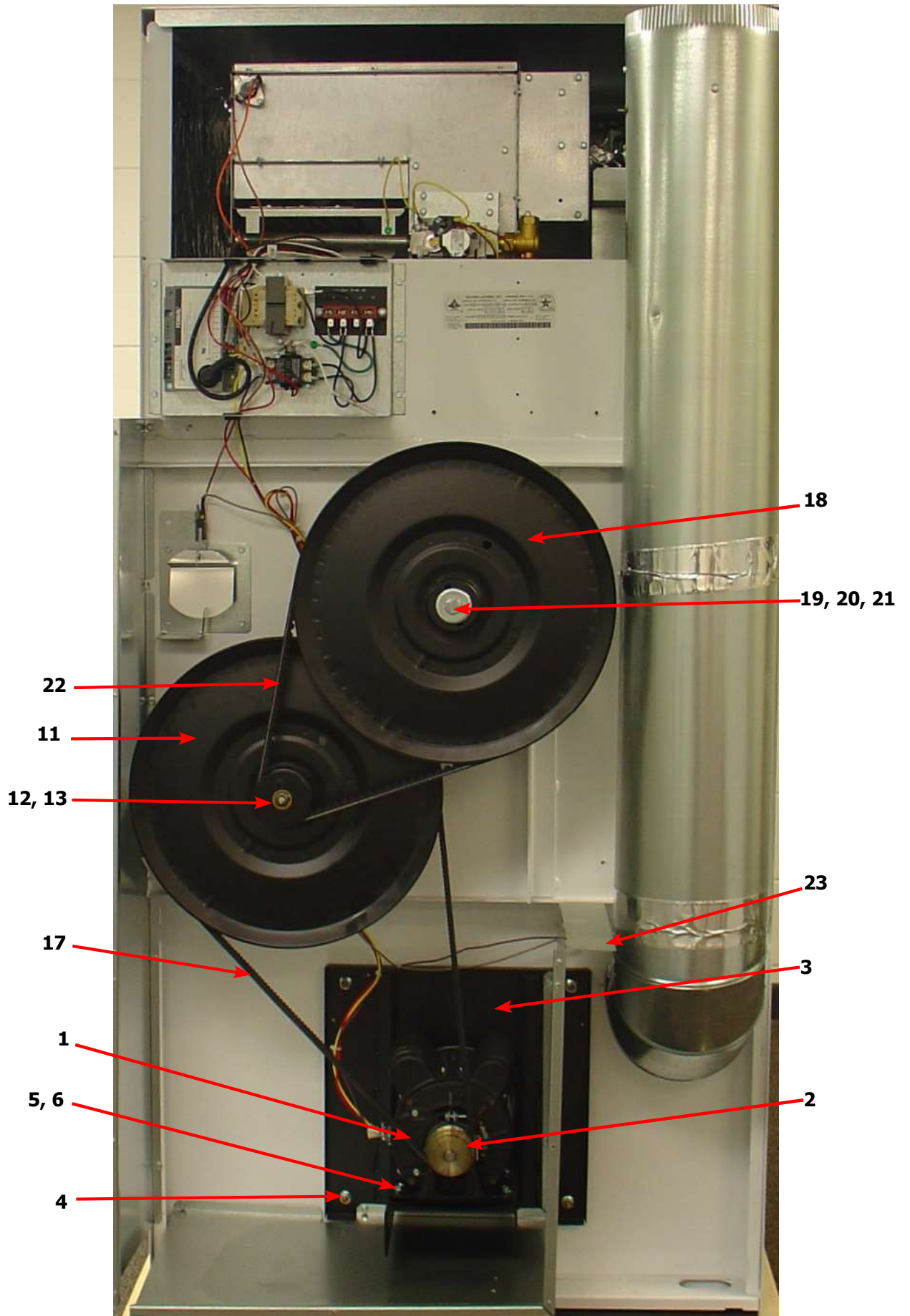




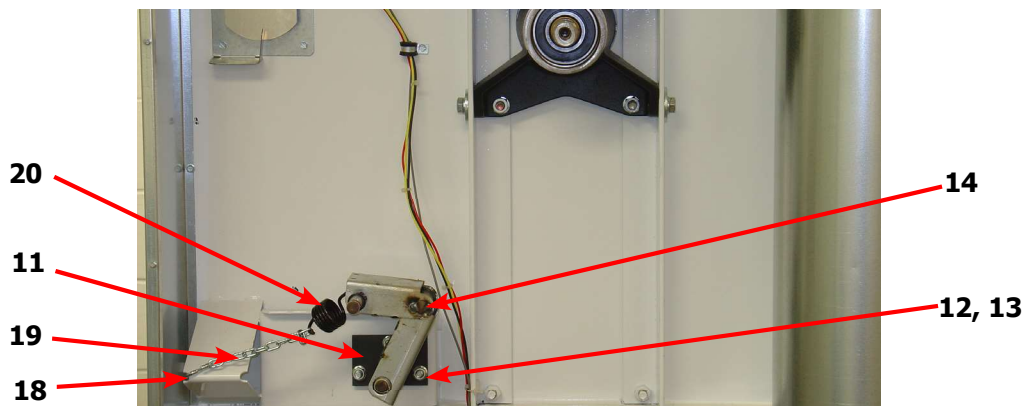
| Key | Description | T-50 | QTY |
|-----|----------------------------------|--------------|-----|
| 1 | Motor | 9376-317-003 | 1 |
| * | Run Capacitor, Motor | 5191-108-001 | 1 |
| * | Start Capacitor, Motor | 5191-109-001 | 1 |
| 2 | Pulley | 9453-169-013 | 1 |
| * | Set screw | 9545-028-013 | 1 |
| 3 | Plate, Motor mounting | 9982-370-002 | 1 |
| * | Gasket, Motor Plate | 9206-428-001 | 1 |
| 4 | Nut-3/8-16, Plate to cabinet | 8640-415-004 | 4 |
| * | Impeller w/set screw | 9278-038-004 | 1 |
| 5 | Screw, 5/16-18x5/8 | 9545-014-004 | 4 |
| 6 | Nut, 3/8-16 | 8640-415-004 | 4 |
| 7 | Support Arm, Intermediate pulley | 9991-053-002 | 1 |
| 8 | Bolt- 3/8-16x1 1/4 | 9545-029-010 | 3 |
| 9 | Nut, Wizlock, 3/8x16 | 8640-415-004 | 3 |
| * | Cap Screw, 3/8-16x1 1/2 | 9545-029-012 | 1 |
| * | Snap Ring | 9487-200-003 | 1 |
| * | Washer-Flat, 3/8x1 | 8641-581-035 | 1 |
| 10 | Idler Arm Assembly | 9861-022-002 | 1 |
| * | Snap Ring (Support Arm keeper) | 9487-200-003 | 1 |
| * | Snap Ring | 9487-200-003 | 1 |
| * | Washer-Flat, 3/8x1 | 8641-581-035 | 1 |
| 11 | Pulley, Idler w/Bearings | 9908-048-003 | 1 |
| 12 | Bearing, Bronze | 9036-145-002 | 2 |
| 13 | Snap Ring | 9487-200-003 | 1 |
| 14 | Hook "S" type | 9248-022-002 | 3 |
| 15 | Chain, Spring tension | 9099-012-002 | 1 |
| 16 | Spring, tension | 9534-151-000 | 1 |
| 17 | Belt Drive | 9040-076-006 | 1 |
| * | Tolerance Ring | 9487-234-005 | 1 |
| 18 | Pulley, Driven | 9908-047-002 | 1 |
| 19 | Washer-Flat, 1/2 | 8641-581-026 | 1 |
| 20 | Washer-Lock, Ext. tooth, 1/2 | 8641-582-016 | 1 |
| 21 | Bolt-3/4, 1/2-13x1/14 | 9545-017-009 | 1 |
| 22 | Belt, Driven | 9040-073-011 | 1 |
| 23 | Thermostat-Overtemp, Reset | 9576-207-006 | 1 |



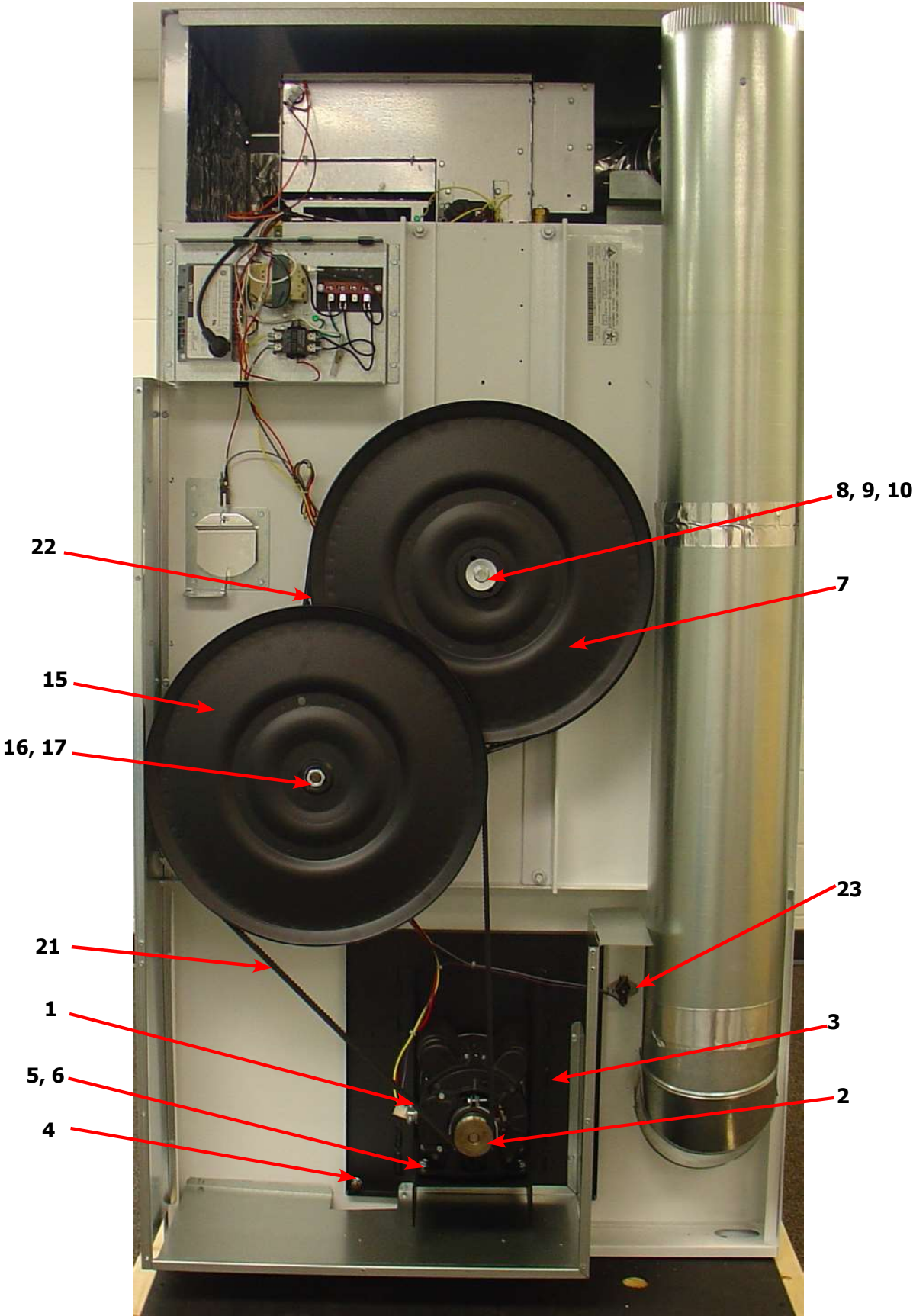
Dryer Rear View 50 Lb



| Key | Description | T-80 | QTY |
|-----|----------------------------------|--------------|-----|
| 1 | Motor | 9376-317-003 | 1 |
| * | Run Capacitor, Motor | 5191-108-001 | 1 |
| * | Start Capacitor, Motor | 5191-109-001 | 1 |
| 2 | Pulley | 9453-157-001 | 1 |
| * | Set screw | 9545-028-013 | 1 |
| 3 | Plate, Motor mounting | 9982-372-002 | 1 |
| * | Gasket, Motor Plate | 9206-428-001 | 1 |
| 4 | Nut-3/8-16, Plate to cabinet | 8640-415-004 | 4 |
| * | Impeller w/set screw | 9278-037-003 | 1 |
| 5 | Screw, 5/16-18x5/8 | 9545-014-004 | 4 |
| 6 | Nut, 3/8-16 | 8640-400-003 | 4 |
| * | Tolerance Ring | 9487-234-001 | 1 |
| 7 | Pulley, Driven | 9908-043-002 | 1 |
| 8 | Washer-Flat, 1/2 | 8641-581-026 | 1 |
| 9 | Washer-Lock, Ext. tooth, 1/2 | 8641-582-016 | 1 |
| 10 | Bolt-3/4, 1/2-13x1/14 | 9545-017-009 | 1 |
| 11 | Support Arm, Intermediate pulley | 9991-053-002 | 1 |
| 12 | Bolt- 3/8-16x1 1/4 | 9545-029-010 | 3 |
| 13 | Nut, Wizlock, 3/8x16 | 8640-415-004 | 3 |
| * | Cap Screw, 3/8-16x1 1/2 | 9545-029-002 | 1 |
| * | Snap Ring | 9487-200-003 | 1 |
| * | Washer-Flat, 3/8x1 | 8641-581-020 | 1 |
| 14 | Idler Arm Assembly | 9861-024-004 | 1 |
| * | Snap Ring | 9487-200-006 | |
| * | Washer-Flat, 3/8x1 | 8641-581-039 | 1 |
| 15 | Pulley, Idler w/Bearings | 9908-042-006 | 1 |
| * | Snapring, Inside-Bearing | 9487-238-005 | 1 |
| * | Bearing, Ball | 9036-159-007 | 2 |
| * | Spacer, Bearing | 9538-173-002 | 1 |
| 16 | Washer-Flat | 8641-581-039 | 1 |
| 17 | Nut, 5/8-11 | 8640-425-002 | 1 |
| 18 | Hook "S" type | 9248-022-002 | 3 |
| 19 | Chain, Spring tension | 9099-012-002 | 1 |
| 20 | Spring, tension | 9534-151-000 | 1 |
| 21 | Belt Drive | 9040-076-011 | 1 |
| 22 | Belt, Driven | 9040-073-012 | 1 |
| 23 | Thermostat-Overtemp, Reset | 9576-207-006 | 1 |

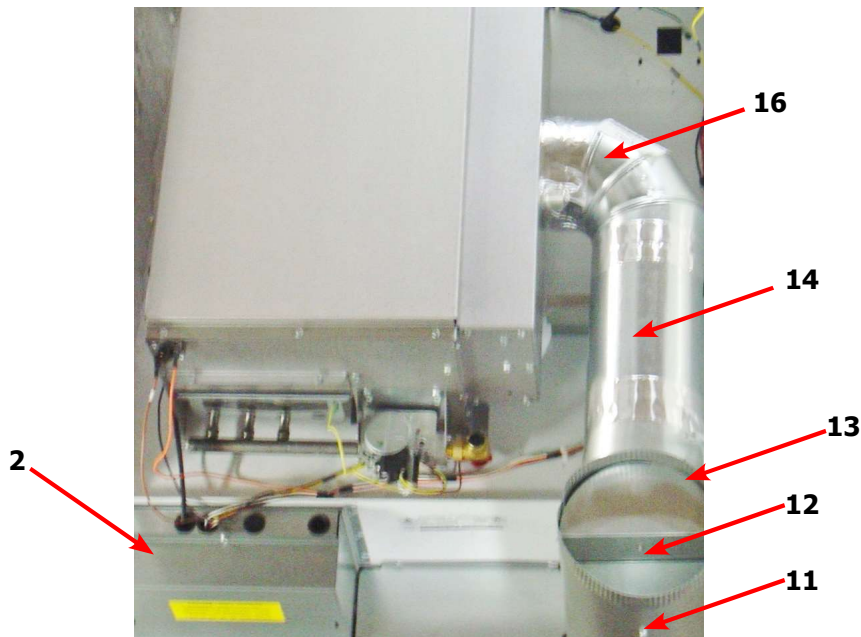


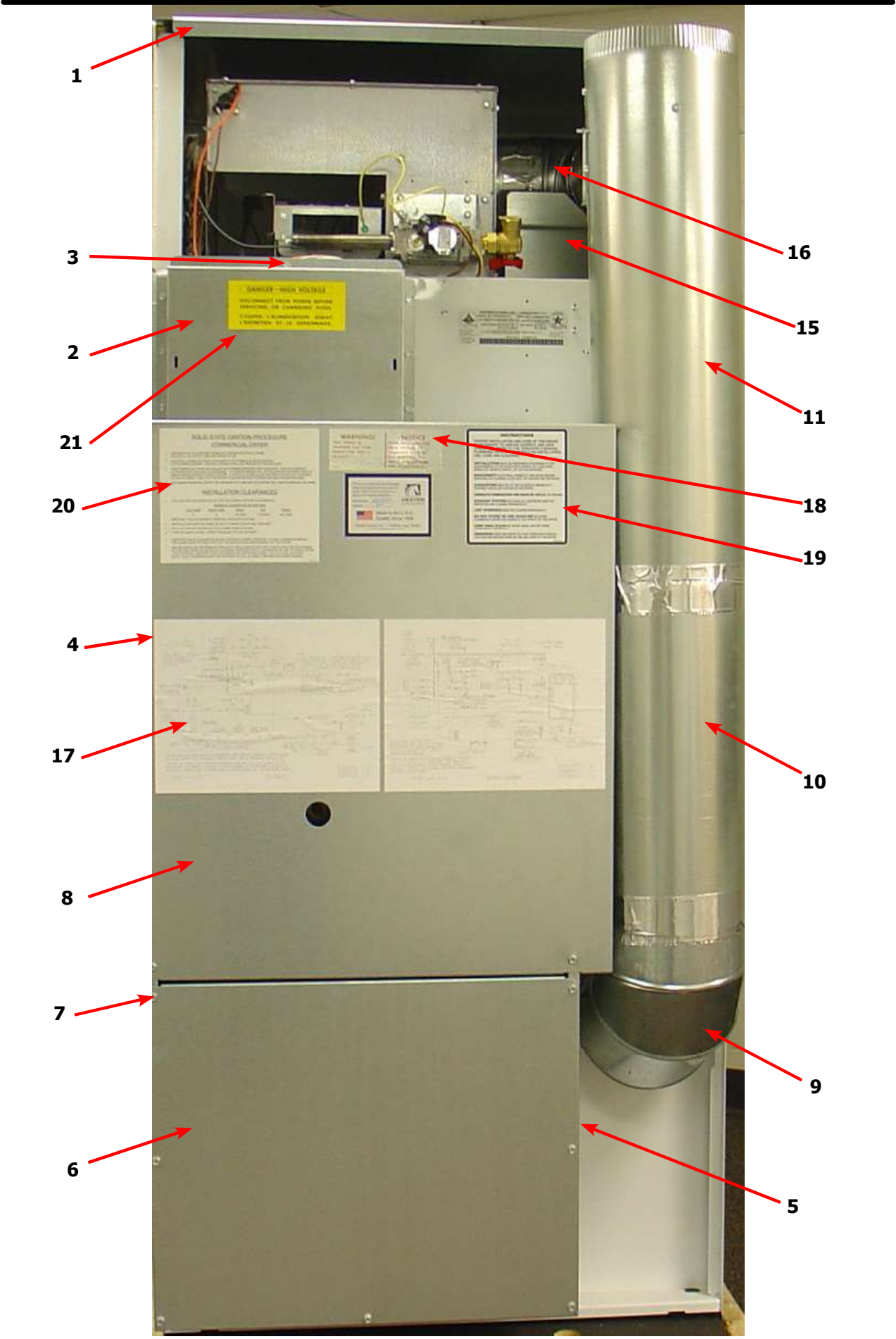
Dryer Rear View 80 Lb



Dryer Rear View-Guard & Exhaust

| Key | Description | T-30 | T-50 | T80 | QTY |
|-----|-----------------------------------|--------------|--------------|---------------|-----|
| 1 | Cover Cabinet | 9074-347-001 | 9074-348-001 | 9074-349-001 | 1 |
| * | Screw-5/16, 10ABx3/8 | 9545-008-024 | 9545-008-024 | 9545-008-024 | AR |
| 2 | Cover-Control Box | 9074-346-001 | 9074-346-001 | 9074-346-001 | 1 |
| 3 | Screw-5/16, 10ABx3/8 | 9545-008-024 | 9545-008-024 | 9545-008-024 | AR |
| 4 | Guard, RH | 9208-093-001 | 9208-097-001 | 9208-101-001 | 1 |
| * | Screw-5/16, 10ABx3/8 | 9545-008-024 | 9545-008-024 | 9545-008-024 | AR |
| 5 | Guard Base & LH | 9208-094-001 | 9208-098-001 | 9208-102-001 | 1 |
| * | Screw-5/16, 10ABx3/8 | 9545-008-024 | 9545-008-024 | 9545-008-024 | AR |
| 6 | Guard-Lower | 9208-095-001 | 9208-099-002 | 9208-103-001 | 1 |
| 7 | Screw-5/16, 10ABx3/8 | 9545-008-024 | 9545-008-024 | 9545-008-024 | AR |
| 8 | Guard-upper | 9208-096-001 | 9208-100-001 | 9208-104-001 | 1 |
| * | Screw-5/16, 10ABx3/8 | 9545-008-024 | 9545-008-024 | 9545-008-024 | AR |
| 9 | Elbow-90 degree, 8" | 9042-039-001 | 9042-039-001 | 9042-039-001 | 1 |
| 10 | Pipe-Duct, 8" | 9109-121-001 | 9109-121-001 | 9109-121-002 | 1 |
| 11 | Tee-Duct, Recirculation, 8"-6" | 9810-018-001 | 9810-018-001 | 9810-019-001 | 1 |
| 12 | Damper | 9125-002-001 | 9125-002-001 | 9125-008-001 | 1 |
| * | Pin-Damper, Hinge | 9451-146-002 | 9451-146-002 | 9451-146-002 | 1 |
| * | Nut-Spring | 8520-141-000 | 8520-141-000 | 8520-141-000 | 2 |
| 13 | Bracket-Recirculation Duct, Small | 9029-228-001 | 9029-228-001 | 9028-228-001 | 1 |
| 14 | Pipe-Duct, 6" | 9109-122-001 | 9109-122-002 | 9109-122-003 | 1 |
| 15 | Bracket-Duct, Recirculation Large | 9029-246-001 | 9029-247-001 | 9029-247-001 | 1 |
| 16 | Elbow-90 degree, 6" | 9142-039-002 | 9142-039-002 | 9142-039-002 | 1 |
| * | Operators Manual | 8514-234-001 | 8514-234-001 | 8514-234-001 | 1 |
| 17 | Diagram & Schematics | 9506-546-001 | 9506-546-001 | 9506-546-001 | 1 |
| 18 | Label-Warning & Notice | 8502-763-001 | 8502-763-001 | 8502-6763-001 | 1 |
| 19 | Label-Instructions | 8502-645-001 | 8502-645-001 | 8502-645-001 | 1 |
| 20 | Decal-Lighting & Clearance | 8527-151-001 | 8527-151-001 | 8527-151-001 | 1 |
| 21 | Label-High Voltage | 8502-614-004 | 8502-614-004 | 8502-614-004 | 1 |
| * | 8" Slide Open Clean Out Duct | 9973-034-001 | 9973-034-001 | 9973-034-001 | 1 |





1

3

2

21

20

4

17

8

7

6

16

15

11

18

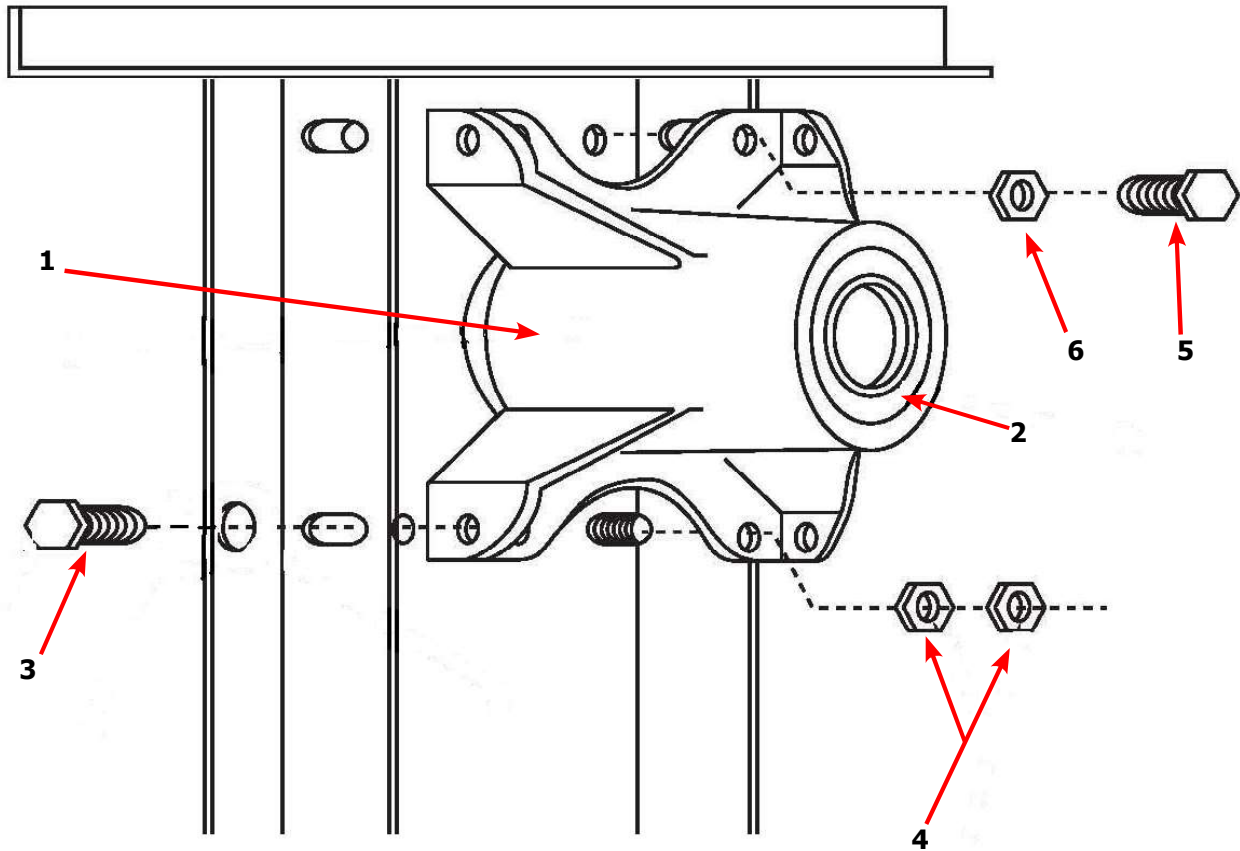
19

10

9

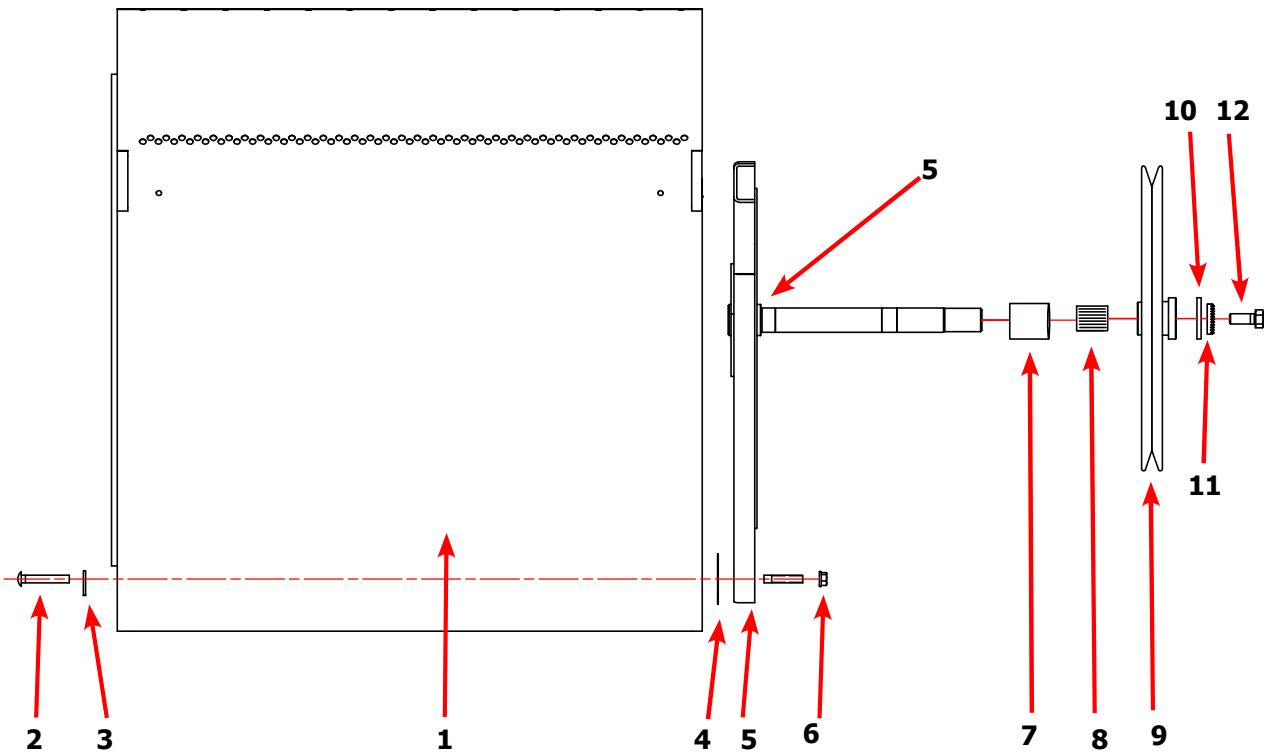
5

Dryer Rear View-Bearing Housing 30Lb



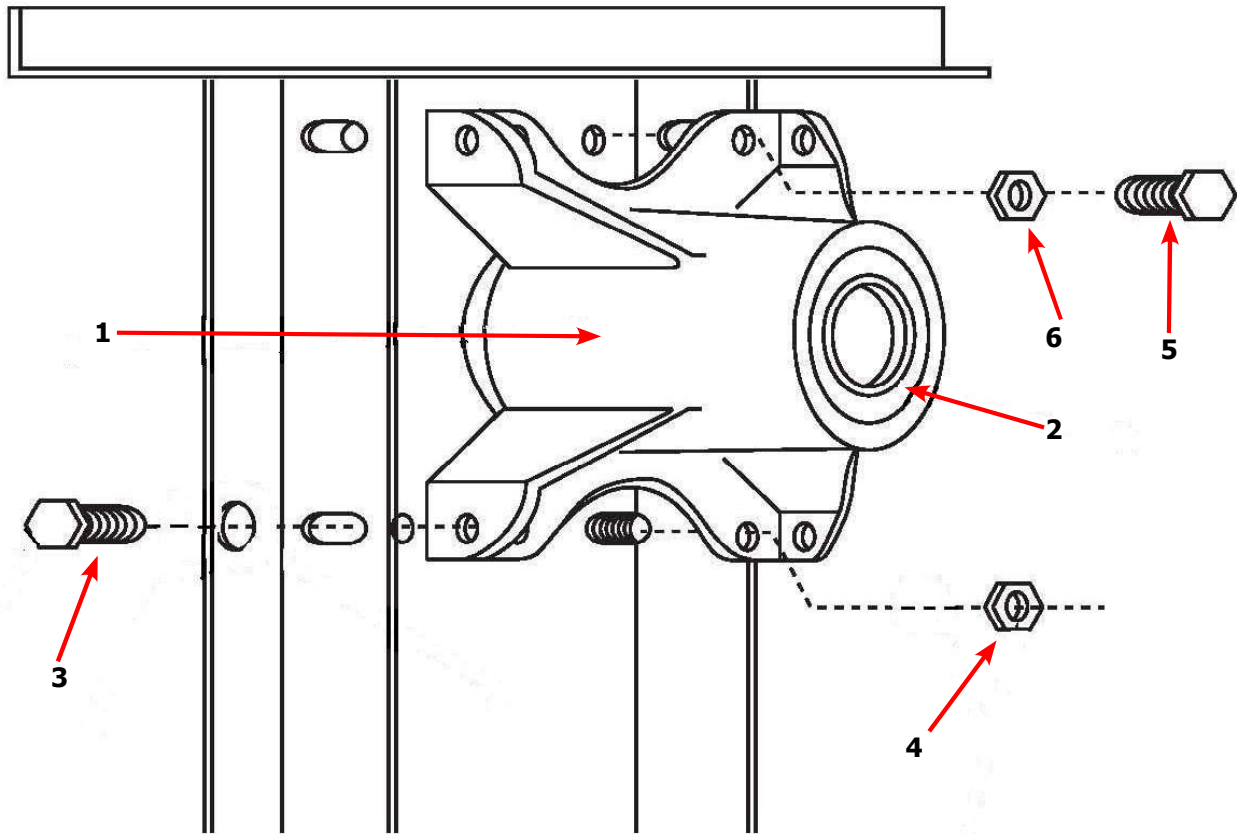
| Key | Description | T-30 | QTY |
|-----|--|--------------|-----|
| * | Bearing Housing Complete Assy (Includes bearings & Spacer) | 9803-160-003 | 1 |
| 1 | Housing, Bearing | 9241-161-002 | 1 |
| * | Bearing, Ball, Front | 9036-130-001 | 1 |
| * | Spacer, Bearing | 9538-139-002 | 1 |
| 2 | Bearing, Ball, Rear | 9036-130-001 | 1 |
| 3 | Screw-Wizlock, 3/8-24x3/4 | 9545-049-002 | 4 |
| 4 | Nut, 5/16-18 | 8640-400-002 | 4 |
| 5 | Screw, 3/8-24x1 | 9545-049-001 | 2 |
| 6 | Nut, 3/8-24 | 8640-415-002 | 2 |
| * | Shim, Tumbler | 9538-139-002 | AR |

Dryer Tumbler Group 30Lb



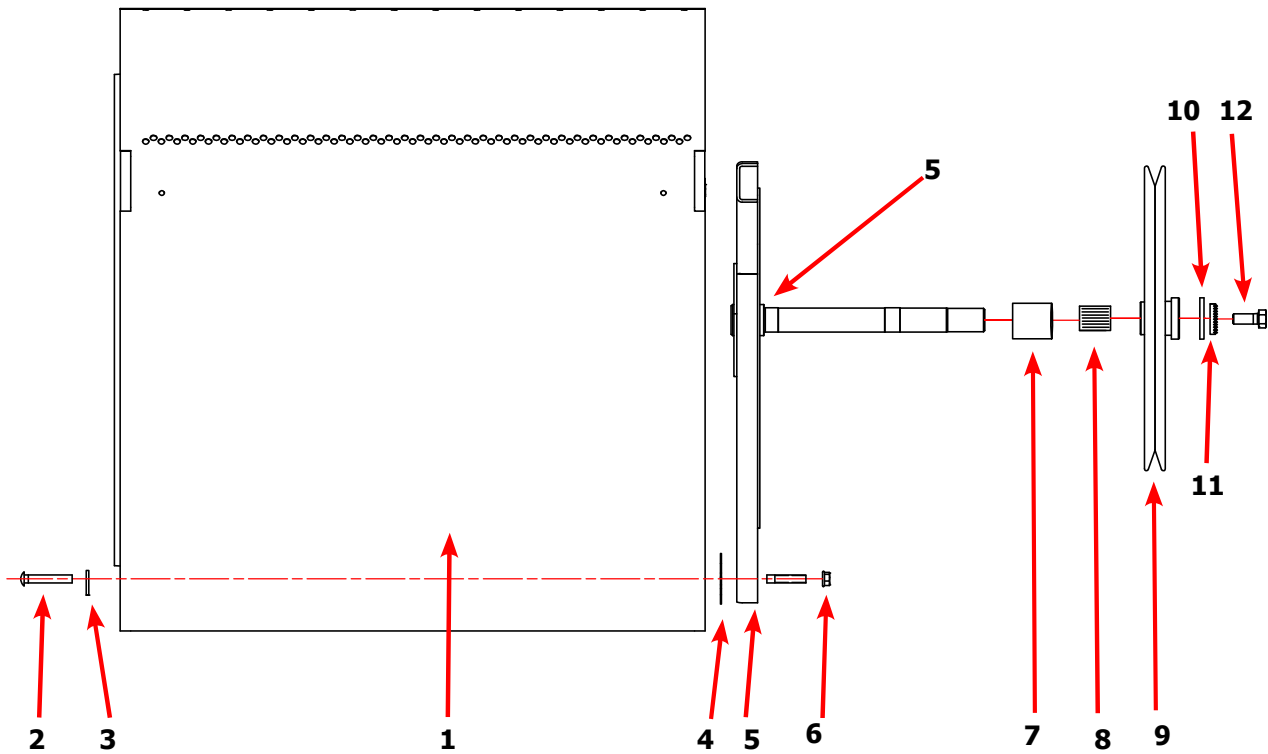
| Key | Description | T-30 | QTY |
|-----|--|--------------|-----|
| * | Tumbler Assy Complete W/Spider (GALV) | 9848-147-001 | 1 |
| 1 | Tumbler Assy (Galvanized) | 9848-146-001 | 1 |
| 1 | Tumbler Assy Complete W/Spider (SS & Galv front) | 9848-147-002 | 1 |
| 1 | Tumbler Assy (Stainless Galvanized front) | 9848-146-002 | 1 |
| 2 | Rod, Tumbler | 9497-019-003 | 3 |
| 3 | Washer, Special | 8641-554-001 | 3 |
| 4 | Shim | 9552-013-003 | AR |
| 5 | Spider Assy | 9568-015-001 | 1 |
| 6 | Nut, Wiz Lock | 8640-415-004 | 3 |
| 7 | Spacer-Shaft | 9538-164-001 | 1 |
| 8 | Tolerance Ring | 9487-234-005 | 1 |
| 9 | Pulley, Driven | 9908-049-002 | 1 |
| 10 | Washer -Flat | 8641-581-026 | 1 |
| 11 | LockWasher - IntTooth, 1" | 8641-582-016 | 1 |
| 12 | Screw, 1/2-13x1 1/4 | 9545-017-009 | 1 |

Dryer Rear View-Bearing Housing 50Lb



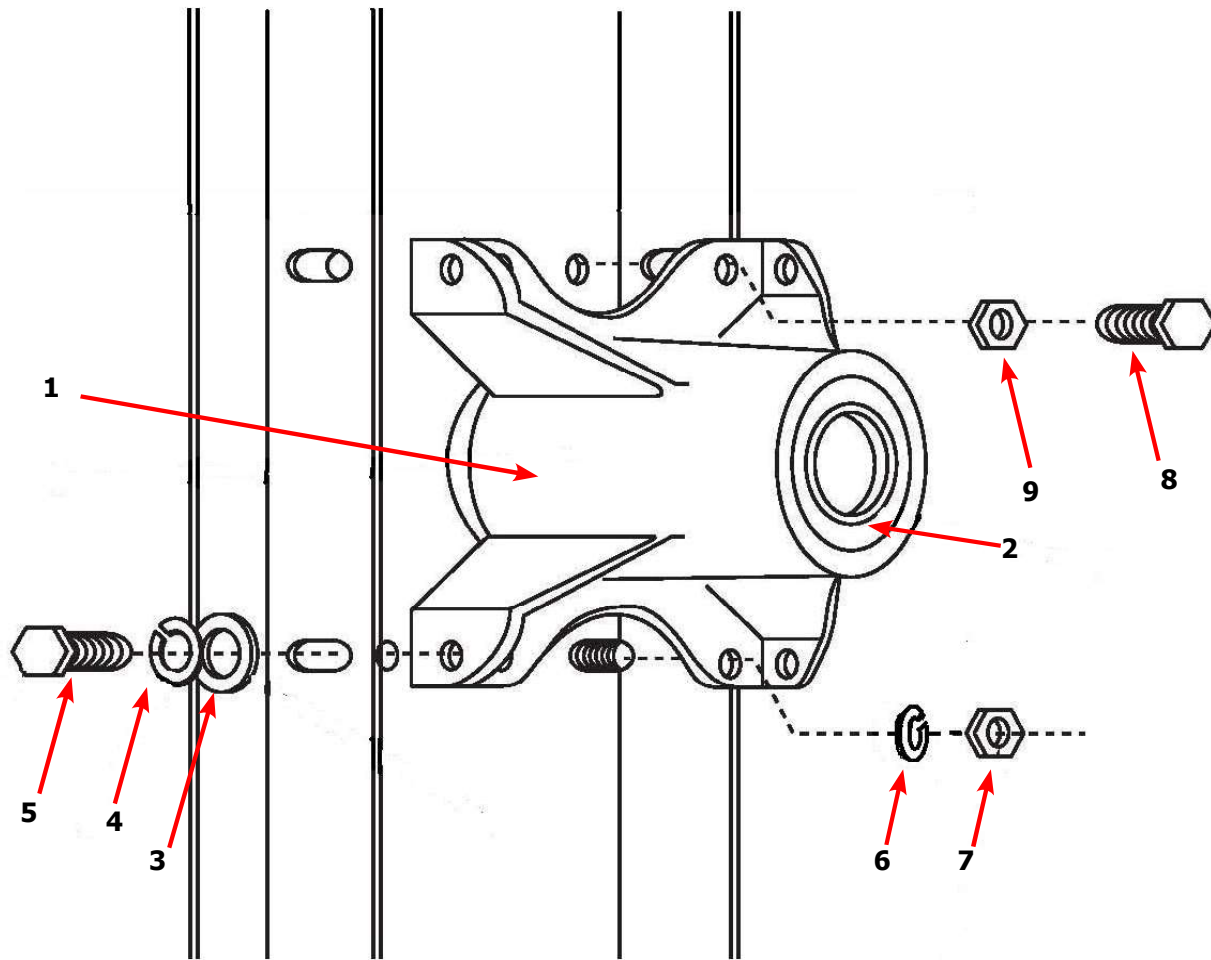
| Key | Description | T-50 | QTY |
|-----|--|--------------|-----|
| | Bearing Housing Complete Assy (Includes bearings & Spacer) | 9803-201-001 | 1 |
| 1 | Housing, Bearing | 9241-189-002 | 1 |
| * | Bearing, Ball, Front | 9036-159-001 | 1 |
| * | Spacer, Bearing | 9538-183-001 | 1 |
| 2 | Bearing, Ball, Rear | 9036-159-003 | 1 |
| 3 | Screw-Wizlock, 1/2-13x3/4 | 9545-017-017 | 4 |
| 4 | Nut, 1/2-13 | 8640-417-002 | 2 |
| 5 | Screw, 1/2-13x1 1/2 | 9545-017-018 | 2 |
| 6 | Nut, 1/2-13 | 8640-417-002 | 2 |

Dryer Tumbler Group 50Lb



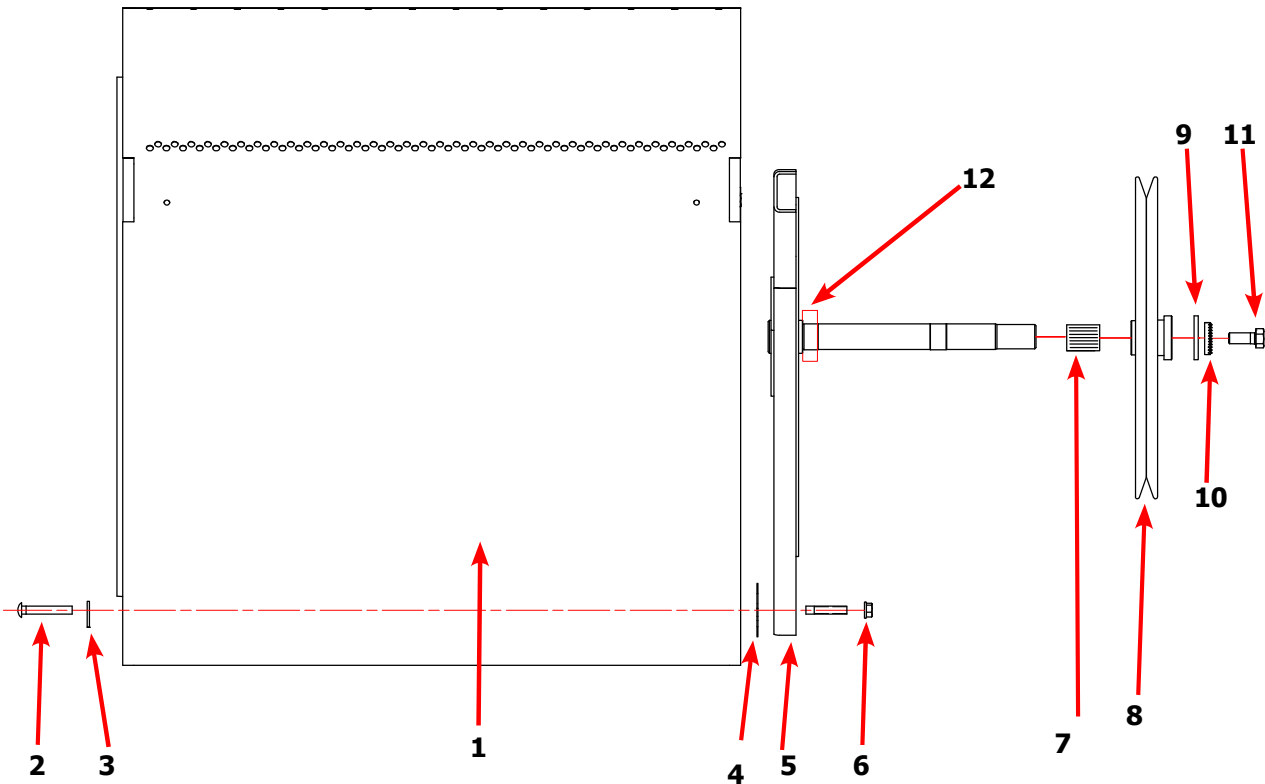
| Key | Description | T-50 | QTY |
|-----|--|--------------|-----|
| * | Tumbler Assy Complete W/Spider (GALV) | 9848-149-001 | 1 |
| 1 | Tumbler Assy (Galvanized) | 9848-148-001 | 1 |
| * | Tumbler Assy Complete W/Spider (SS & Galv front) | 9848-149-002 | 1 |
| 1 | Tumbler Assy (Stainless Galvanized front) | 9848-148-002 | 1 |
| 2 | Rod, Tumbler | 9497-226-002 | 3 |
| 3 | Washer, Special | 8641-590-002 | 3 |
| 4 | Shim | 9552-013-000 | AR |
| 5 | Spider Assy | 9568-013-001 | 1 |
| 6 | Nut, Wiz Lock | 8640-417-005 | 3 |
| 7 | Spacer-Shaft | 9538-184-001 | 1 |
| 8 | Tolerance Ring | 9487-234-005 | 1 |
| 9 | Pulley, Driven | 9908-047-002 | 1 |
| 10 | Washer -Flat | 8641-581-026 | 1 |
| 11 | LockWasher - IntTooth, 1" | 8641-582-016 | 1 |
| 12 | Screw, 1/2-13x1 1/4 | 9545-017-009 | 1 |

Dryer Rear View-Bearing Housing 80Lb



| Key | Description | T80 | QTY |
|-----|--|--------------|-----|
| | Bearing Housing Complete Assy (Includes bearings & Spacer) | 9803-189-001 | |
| 1 | Housing, Bearing | 9241-183-003 | |
| * | Bearing, Ball, Front | 9036-159-001 | |
| * | Spacer, Bearing | | |
| 2 | Bearing, Ball, Rear | 9036-159-002 | |
| 3 | Washer, Flat 1/2 | 8641-581-026 | |
| 4 | Lock Washer Spring, 1/2 | 8641-582-004 | |
| 5 | Screw, 1/2-13x1 | 9545-017-004 | |
| 6 | Lock Washer Spring, 1/2 | 8641-582-004 | |
| 7 | Nut, 7/16-14 | 8640-416-001 | |
| 8 | Screw, 7/16-14x1 1/2 | 9545-059-003 | |
| 9 | Nut, 7/16-14 | 8641-416-001 | |

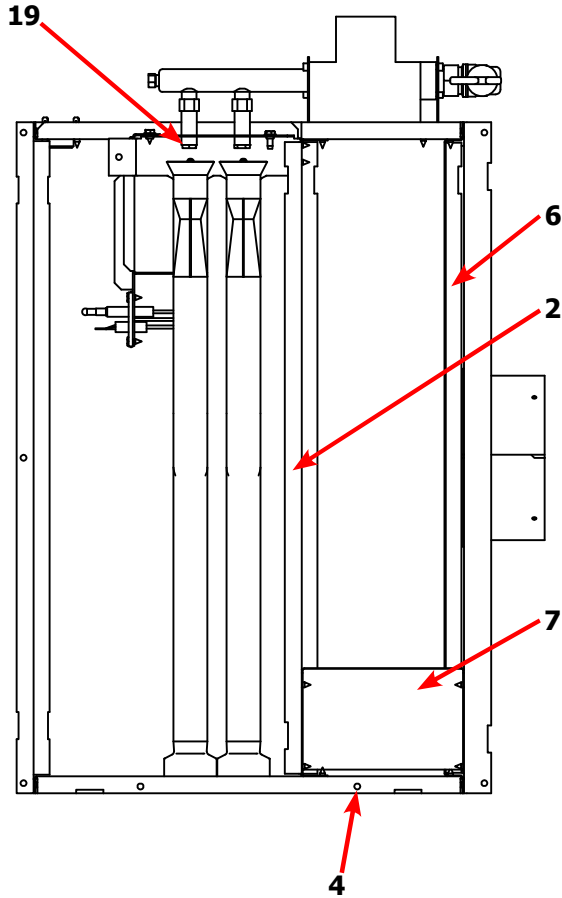
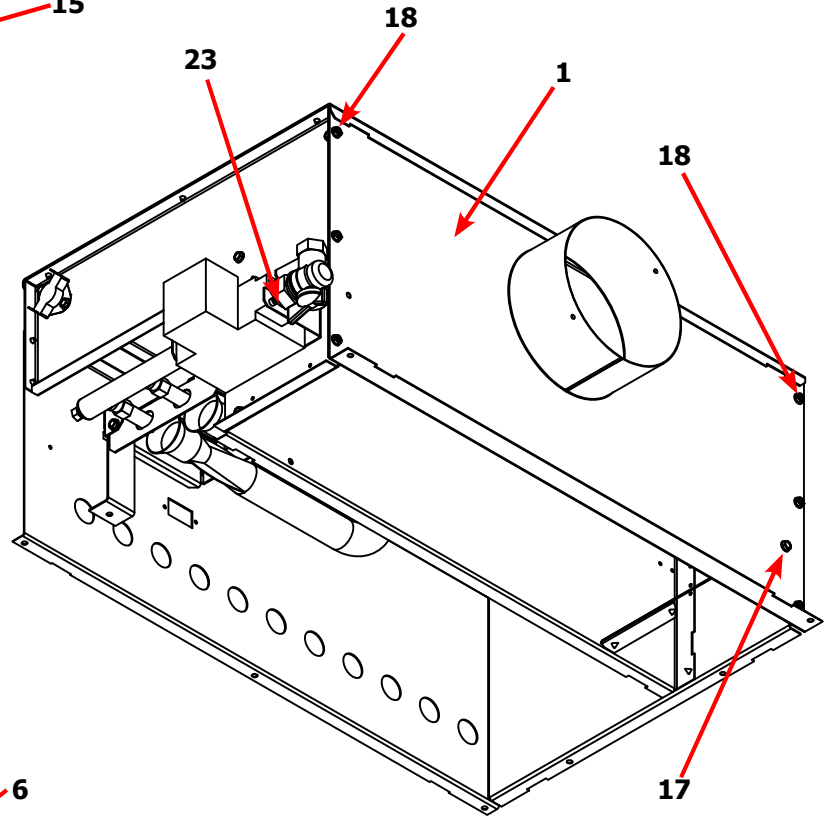
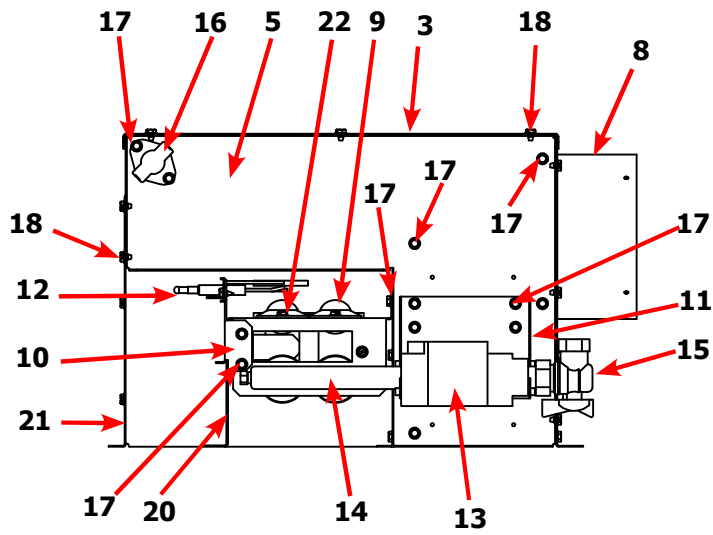
Dryer Tumbler Group 80Lb



| Key | Description | T80 | QTY |
|-----|--|--------------|-----|
| * | Tumbler Assy Complete W/Spider (GALV) | 9848-151-001 | 1 |
| 1 | Tumbler Assy (Galvanized) | 9849-150-001 | 1 |
| 1 | Tumbler Assy Complete W/Spider (SS & Galv front) | 9848-151-002 | 1 |
| 1 | Tumbler Assy (Stainless Galvanized front) | 9849-150-002 | 1 |
| 2 | Rod, Tumbler | 9497-266-001 | 4 |
| 3 | Washer, Special | 8641-590-001 | 4 |
| 4 | Shim | 9552-013-000 | AR |
| 5 | Spider Assy w/Front Bearing | 9873-008-001 | 1 |
| 6 | Nut, Wiz Lock | 8640-417-005 | 4 |
| 7 | Tolerance Ring | 9487-234-001 | 1 |
| 8 | Pulley, Driven | 9908-043-002 | 1 |
| 9 | Washer -Flat | 8641-581-026 | 1 |
| 10 | LockWasher - IntTooth, 1" | 8641-582-016 | 1 |
| 11 | Screw, 1/2-13x1 1/4 | 9545-017-009 | 1 |
| 12 | Bearing, Front | 9036-159-002 | 1 |

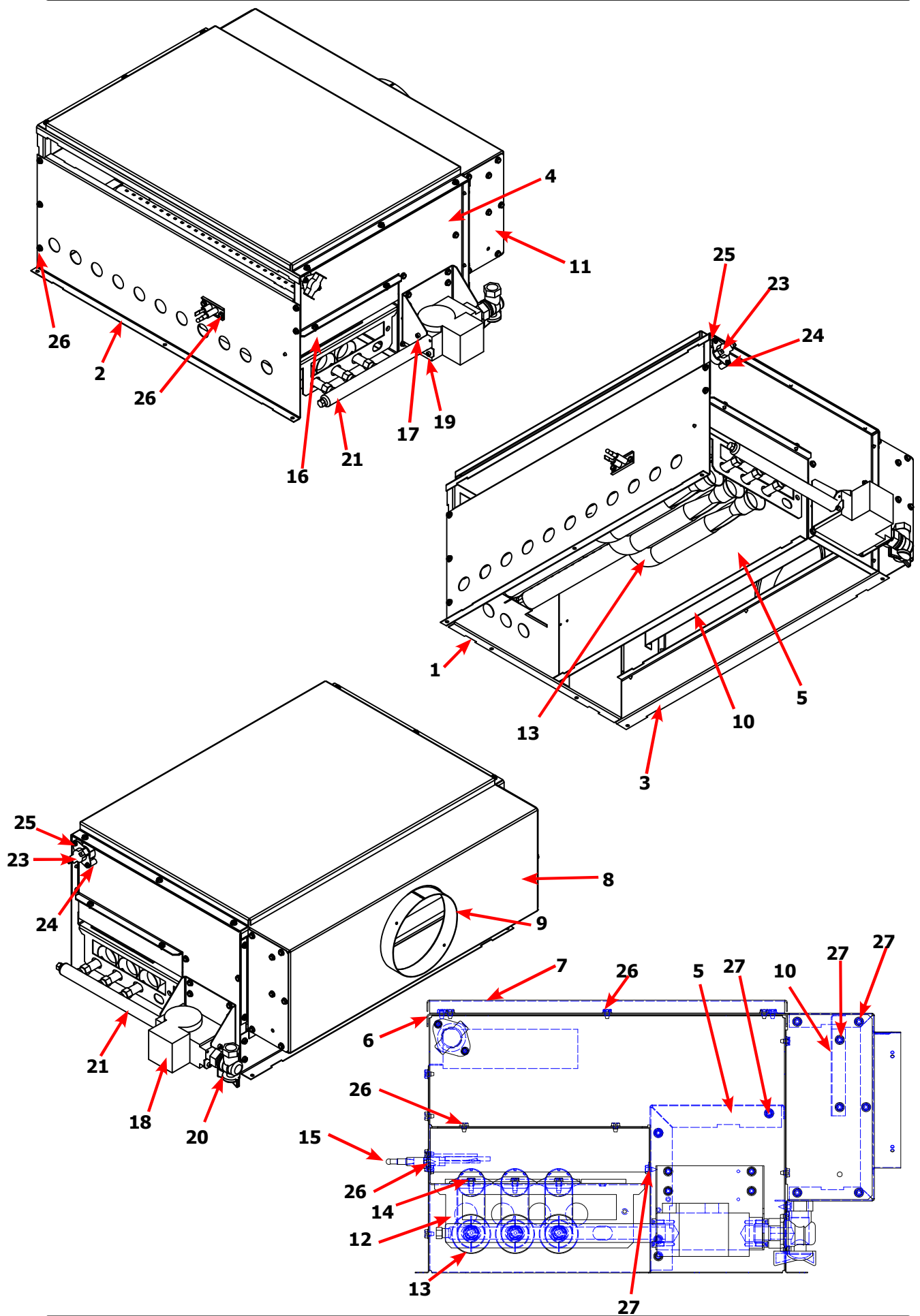
Dryer Burner Housing Group 30Lb

| Key | Description | Part Number | Qty |
|-----|---|--------------|-----|
| * | Housing Assembly, Burner | 9803-210-001 | 1 |
| 1 | Panel-Burner Housing, Side Left | 9454-845-001 | 1 |
| 2 | Baffle-Burner Housing, Center | 9049-091-001 | 1 |
| 3 | Panel-Burner Housing, Top | 9454-871-001 | 1 |
| 4 | Panel-Burner Housing, Front | 9454-847-001 | 1 |
| 5 | Panel-Burner Housing, Back | 9454-848-001 | 1 |
| 6 | Baffle-Burner Housing, Recirculation | 9049-092-001 | 1 |
| 7 | Baffle-Burner Housing, Front | 9049-093-001 | 1 |
| 8 | Duct Adaptor, 6"x3" long | 9109-120-01 | 1 |
| 9 | Burner, Main | 9048-021-001 | 2 |
| 10 | Bracket-Support, Electrode | 9029-214-001 | 1 |
| 11 | Bracket-Support, Gas Valve | 9029-227-001 | 1 |
| 12 | Electrode-Ignition | 9875-002-003 | 1 |
| 13 | Control Assy,Gas Valve, White Rodgers 36J | 9857-192-001 | 1 |
| 14 | Manifold Assy | 9381-009-007 | 1 |
| 15 | Valve-Gas Shutoff, (Optional) | 9379-196-001 | 1 |
| 16 | Thermostat-HI-Limit | 9576-203-002 | |
| 17 | Screw, 10ABx3/8 | 9545-008-024 | 24 |
| 18 | Screw, 10ABx1/4 | 9545-008-006 | 17 |
| 19 | Orfice-Natural, .125 | 9425-069-023 | 2 |
| * | Orfice-LP, #48 | 9425-069-003 | 2 |
| * | Kit, LP Conversion, White Rodgers | 9732-102-018 | 1 |
| 20 | Bracket-Support, Burner | 9029-225-001 | 1 |
| 21 | Panel-Burner Housing, Side Right | 9454-861-001 | 1 |
| 22 | Screw, 10-32TTx1/2 Green | 9545-008-027 | 3 |
| 23 | Screw, 8-32x3/8 | 9545-010-014 | 4 |



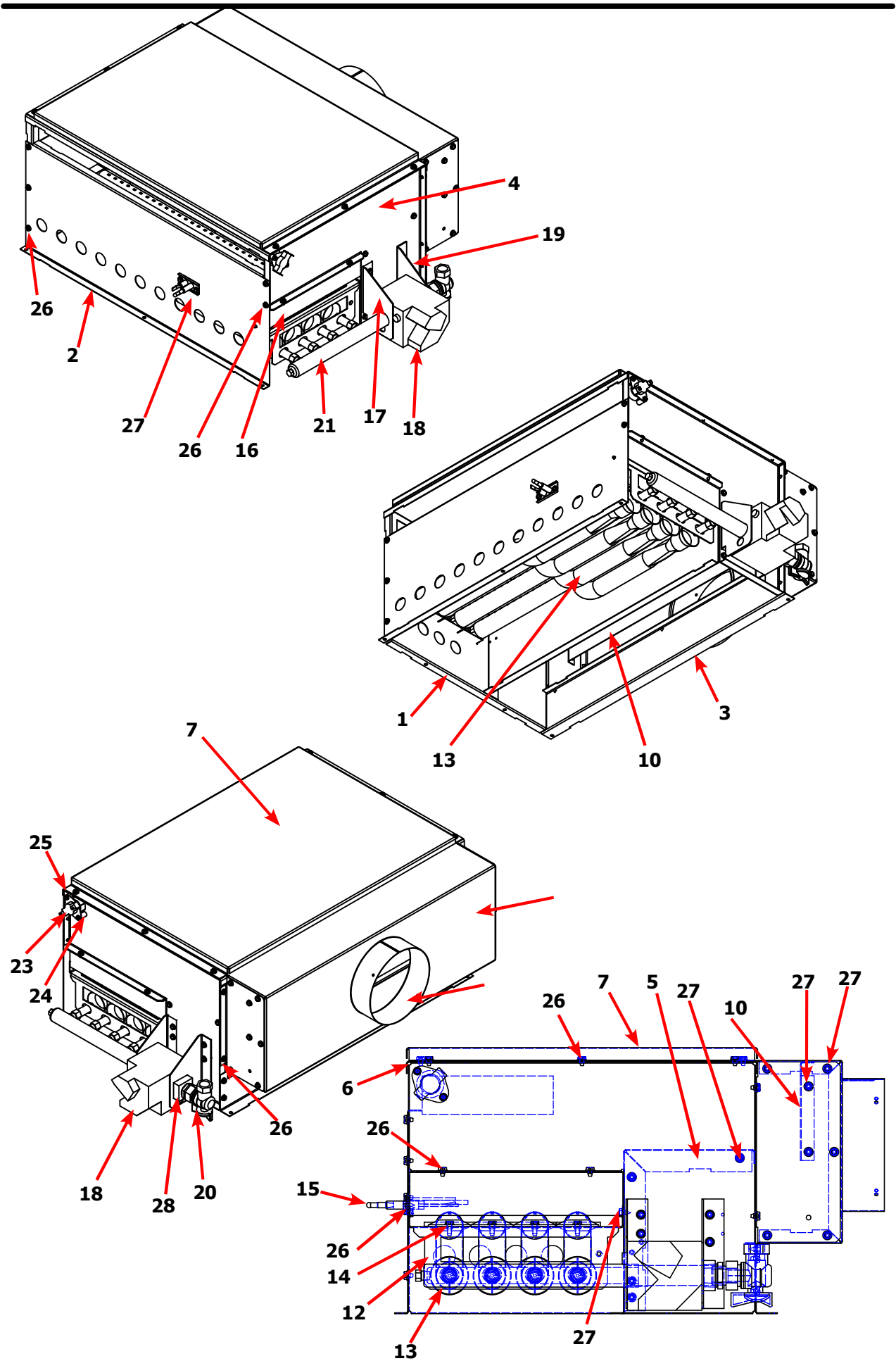
Dryer Burner Housing Group 50Lb

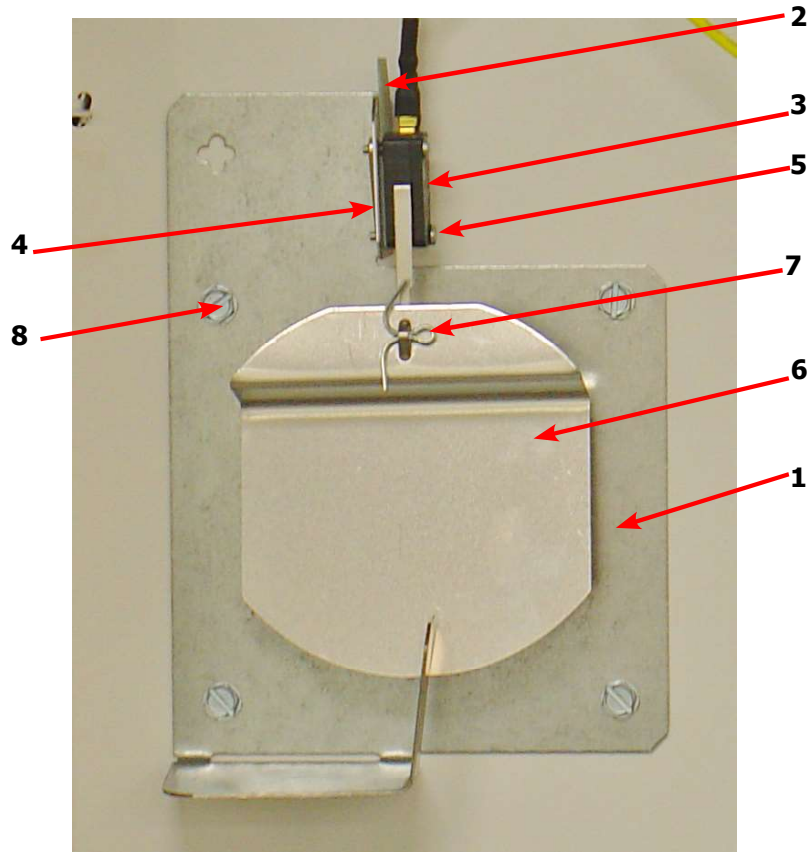
| Key | Description | Part Number | Qty |
|-----|---|--------------|-----|
| | Housing Assembly, Burner | 9803-211-001 | 1 |
| 1 | Panel-Burner Housing, Front | 9454-863-001 | 1 |
| 2 | Panel-Burner Housing, Side Right | 9454-861-001 | 1 |
| 3 | Panel-Burner Housing, Side Left | 9454-862-001 | 1 |
| 4 | Panel-Burner Housing, Back | 9454-864-001 | 1 |
| 5 | Baffle-Burner Housing, Center | 9049-098-001 | 1 |
| 6 | Panel-Burner Housing, Top | 9454-849-001 | 1 |
| 7 | Panel-Burner Housing, Top | 9074-343-001 | 1 |
| 8 | Baffle-Burner Housing, Extention | 9049-100-001 | 1 |
| 9 | Duct Adaptor, 6"x1.25" long | 9109-120-003 | 1 |
| 10 | Baffle-Burner Housing, Recirculation | 9049-099-001 | 1 |
| 11 | Side-Extention Baffle, Burner Housing | 9551-049-001 | 2 |
| 12 | Bracket-Support, Burner | 9029-213-001 | 1 |
| 13 | Burner, Main | 9048-021-001 | 3 |
| 14 | Screw, 10T-32x1/2 | 9545-008-008 | 3 |
| 15 | Electrode-Ignition | 9875-002-003 | 1 |
| 16 | Cover-Burner, Intet | 9074-344-001 | 1 |
| 17 | Bracket-Support, Gas Valve | 9029-227-001 | 1 |
| 18 | Control Assy,Gas Valve, White Rodgers 36J | 9857-192-001 | 1 |
| 19 | Screw, #8-32x3/8 | 9545-010-014 | 4 |
| 20 | Valve-Gas Shutoff, (Optional) | 9379-196-001 | 1 |
| 21 | Manifold Assy | 9381-010-003 | 1 |
| * | Orfice-Natural, #30 | 9425-069-002 | 3 |
| * | Orfice-LP, #48 | 9425-069-003 | 3 |
| * | Kit, LP Conversion, White Rodgers | 9732-102-017 | 1 |
| 23 | Thermostat-HI-Limit | 9576-203-002 | |
| 24 | Spacer-1/4x5/8 long | 9538-166-009 | 2 |
| 25 | Screw-8Bx1 | 9545-045-013 | 2 |
| 26 | Screw, 10Bx1/4 | 9545-008-001 | 22 |
| 27 | Screw, 10ABx3/8 | 9545-008-024 | 31 |



Dryer Burner Housing Group 80Lb

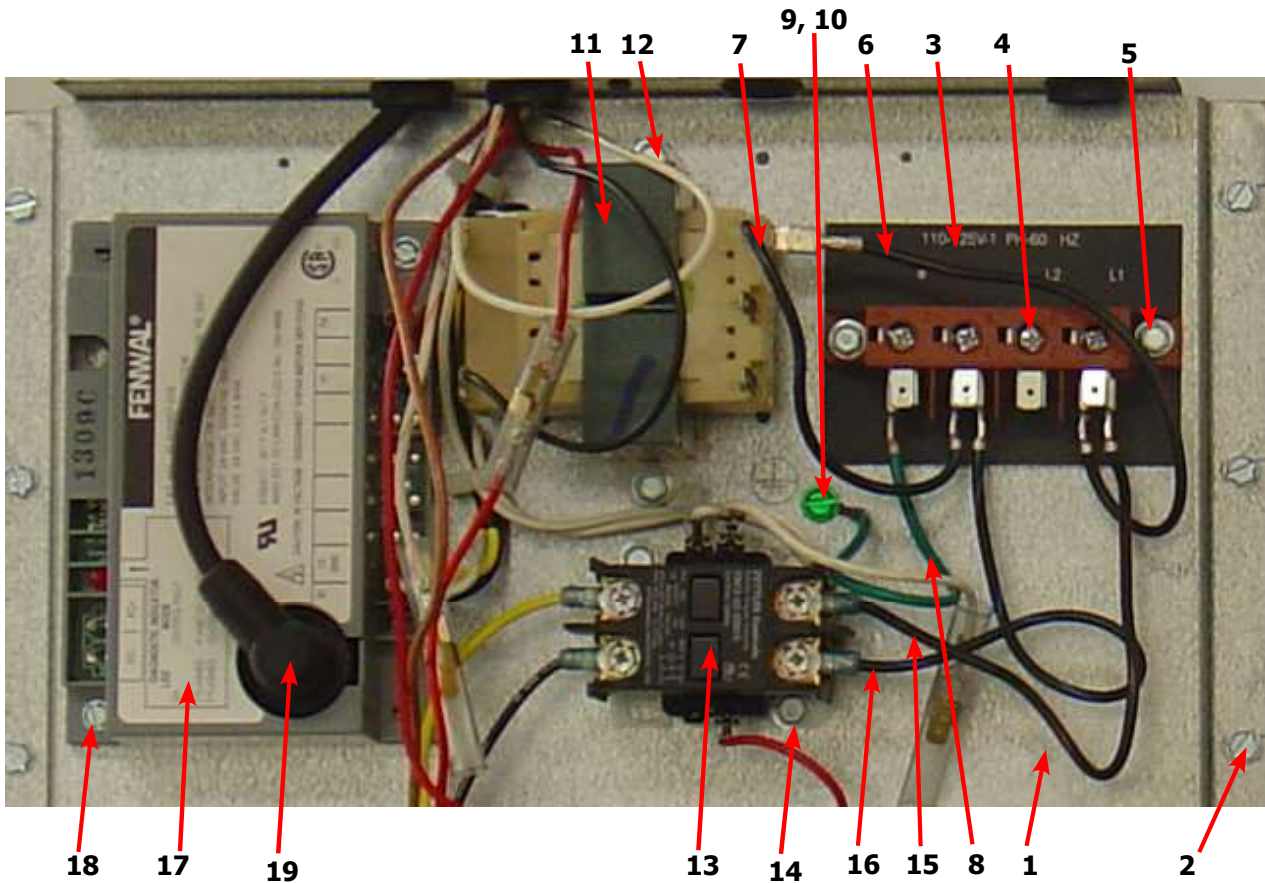
| Key | Description | Part Number | Qty |
|-----|---|--------------|-----|
| | Housing Assembly, Burner | 9803-212-001 | 1 |
| 1 | Panel-Burner Housing, Front | 9454-863-001 | 1 |
| 2 | Panel-Burner Housing, Side Right | 9454-861-001 | 1 |
| 3 | Panel-Burner Housing, Side Left | 9454-862-001 | 1 |
| 4 | Panel-Burner Housing, Back | 9454-864-001 | 1 |
| 5 | Baffle-Burner Housing, Center | 9049-098-001 | 1 |
| 6 | Panel-Burner Housing, Top | 9454-849-001 | 1 |
| 7 | Panel-Burner Housing, Top | 9074-343-001 | 1 |
| 8 | Baffle-Burner Housing, Extention | 9049-100-001 | 1 |
| 9 | Duct Adaptor, 6"x1.25" long | 9109-120-002 | 1 |
| 10 | Baffle-Burner Housing, Recirculation | 9049-099-001 | 1 |
| 11 | Side-Extention Baffle, Burner Housing | 9551-049-001 | 2 |
| 12 | Bracket-Support, Burner | 9029-213-001 | 1 |
| 13 | Burner, Main | 9048-021-001 | 4 |
| 14 | Screw, 10T-32x1/2 | 9545-008-008 | 4 |
| 15 | Electrode-Ignition | 9875-002-003 | 1 |
| 16 | Cover-Burner, Intet | 9074-344-001 | 1 |
| 17 | Bracket-Support, Gas Valve | 9029-234-001 | 1 |
| 18 | Control Assy,Gas Valve, White Rodgers 36J | 9857-193-001 | 1 |
| 19 | Bracket-support, Gas Valve Left hand | 9029-235-001 | 4 |
| 20 | Valve-Gas Shutoff, (Optional) | 9379-196-001 | 1 |
| 21 | Manifold Assy | 9381-014-001 | 1 |
| 22 | Orfice-Natural, #29 | 9425-069-021 | 3 |
| * | Orfice-LP, #46 | 9425-069-022 | 3 |
| * | Kit, LP Conversion, White Rodgers | 9732-102-023 | 1 |
| 23 | Thermostat-HI-Limit | 9576-203-002 | 1 |
| 24 | Spacer-1/4x5/8 long | 9538-166-009 | 2 |
| 25 | Screw-8Bx1 | 9545-045-013 | 2 |
| 26 | Screw, 10Bx1/4 | 9545-008-001 | 22 |
| 27 | Screw, 10ABx3/8 | 9545-008-024 | 31 |
| 28 | Bushing-Reducer, 3/4x1/2 | 8615-104-009 | 1 |





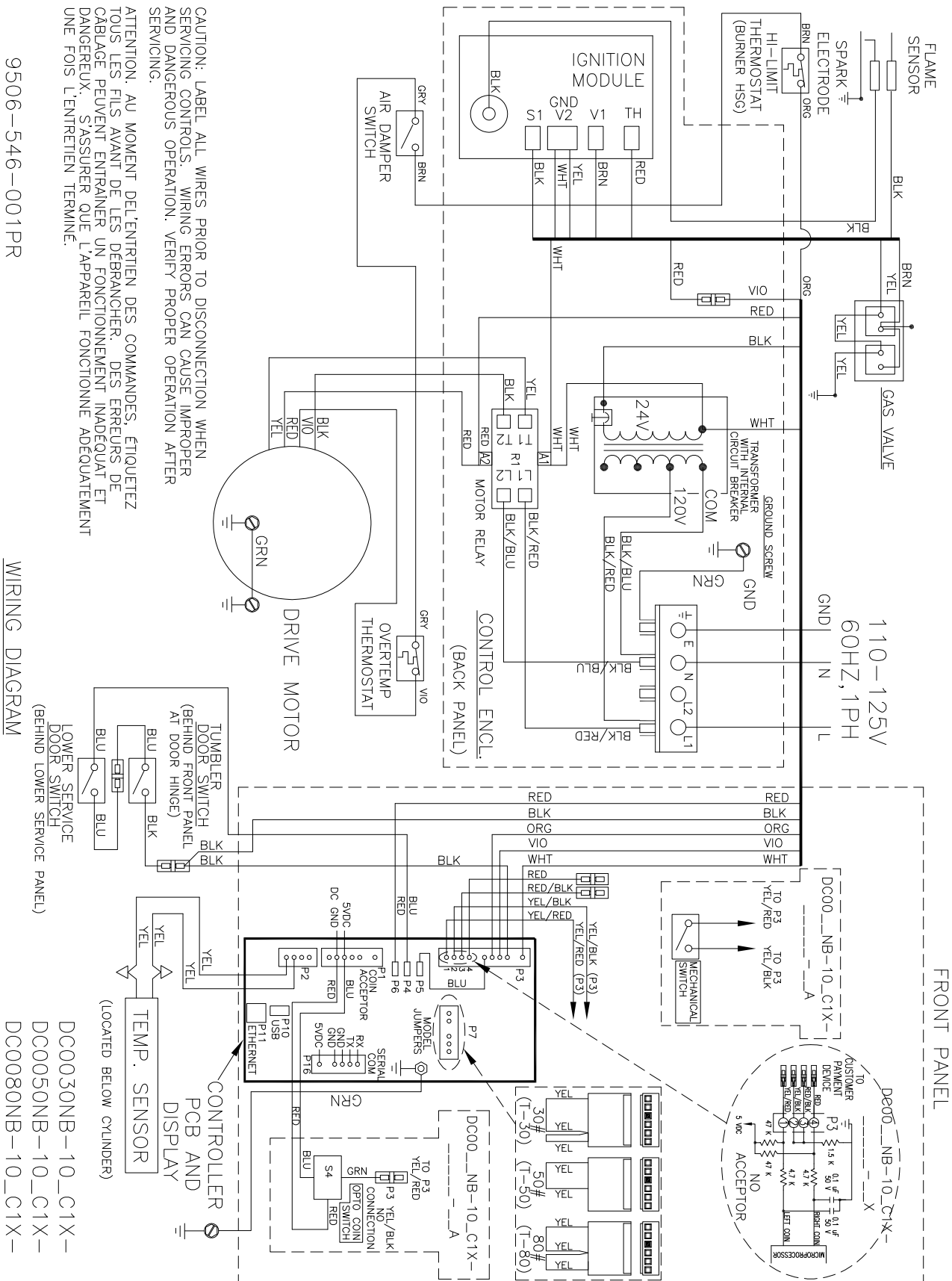
| Key | Description | T-30 | T-50 | T80 | QTY |
|-----|--------------------------|--------------|--------------|--------------|-----|
| * | Air Flow switch Assy | 9801-095-001 | 9801-098-001 | 9801-098-001 | 1 |
| 1 | Bracket-Airflow switch | 9029-174-001 | 9029-200-001 | 9029-200-001 | 1 |
| 2 | Shield-Switch | 9550-169-003 | 9550-169-003 | 9550-169-003 | 1 |
| 3 | Switch-Micro | 9539-461-009 | 9539-461-009 | 9539-461-009 | 1 |
| 4 | Nut-Twin, 4-40 | 8640-401-001 | 8640-401-001 | 8640-401-001 | 1 |
| 5 | Screw-.625, 4-40 | 9545-020-001 | 9545-020-001 | 9545-020-001 | 2 |
| 6 | Actuator-Air Flow Switch | 9008-007-001 | 9008-007-001 | 9008-007-001 | 1 |
| 7 | Pin-Cotter, .09375x.75 | 9451-169-002 | 9451-169-002 | 9451-169-002 | 1 |
| | Screw, 10Bx1/4 | 9545-008-001 | | | 3 |
| | | | 9545-008-001 | 9545-008-001 | 4 |

Electrical Box / Ignition Control



| Key | Description | T-30 | T-50 | T80 | QTY |
|-----|----------------------------------|--------------|--------------|--------------|-----|
| 1 | Wrapper-Control Box | 9636-200-001 | 9636-200-001 | 9636-200-001 | 1 |
| 2 | Screw, 5/16-10AB-3/8 | 9545-008-001 | 9545-008-001 | 9545-008-001 | 6 |
| * | Cover-Control Box | 9074-346-001 | 9074-346-001 | 9074-346-001 | 1 |
| * | Screw, 5/16-10AB-3/8 | 9545-008-024 | 9545-008-024 | 9545-008-024 | 1 |
| 3 | Strip-Marker, Terminal | 9558-029-005 | 9558-029-005 | 9558-029-005 | 1 |
| 4 | Terminal Block Assy-Power, 4Pole | 9897-035-001 | 9897-035-001 | 9897-035-001 | 1 |
| 5 | Screw, 5/16-10AB-3/8 | 9545-008-024 | 9545-008-024 | 9545-008-024 | 2 |
| 6 | Wire assy-Blk/Red, 6 1/2" | 8220-001-230 | 8220-001-230 | 8220-001-230 | 1 |
| 7 | Wire assy-Blk/Blu, 6 1/2" | 8220-001-231 | 8220-001-231 | 8220-001-231 | 1 |
| 8 | Wire Assy, GRN, 7" | 8220-001-478 | 8220-001-478 | 8220-001-478 | 1 |
| 9 | Screw- 10-32TTx1/2 GRN | 9545-008-027 | 9545-008-027 | 9545-008-027 | 1 |
| 10 | Lockwasher, External tooth | 8641-582-006 | 8641-582-006 | 8641-582-006 | 1 |
| 11 | Transformer, w/Circuit braker | 8711-007-002 | 8711-007-002 | 8711-007-002 | 1 |
| 12 | Screw, 5/16-10AB-3/8 | 9545-008-024 | 9545-008-024 | 9545-008-024 | 2 |
| 13 | Relay-Motor, 30Amp, 24VAC | 5192-299-002 | 5192-299-002 | 5192-299-002 | 1 |
| 14 | Screw, 5/16-10AB-3/8 | 9545-008-024 | 9545-008-024 | 9545-008-024 | 2 |
| 15 | Wire assy-Blk/Red, 9" | 8220-146-001 | 8220-146-001 | 8220-146-001 | 1 |
| 16 | Wire assy-Blk/Blu, 9" | 8220-146-002 | 8220-146-002 | 8220-146-002 | 1 |
| 17 | Control Assy, Ignition (Module) | 9857-182-001 | 9857-182-001 | 9857-182-001 | 1 |
| 18 | Screw-8Bx3/4" | 9545-045-007 | 9545-045-007 | 9545-045-007 | 2 |
| * | Harness, Ignition Module | 9627-867-003 | 9627-867-003 | 9627-867-003 | 1 |
| 19 | Wire Assy- High Voltage Lead | 9631-403-009 | 9631-403-009 | 9631-403-009 | 1 |

Wiring Diagram for 60hz Dryer -10



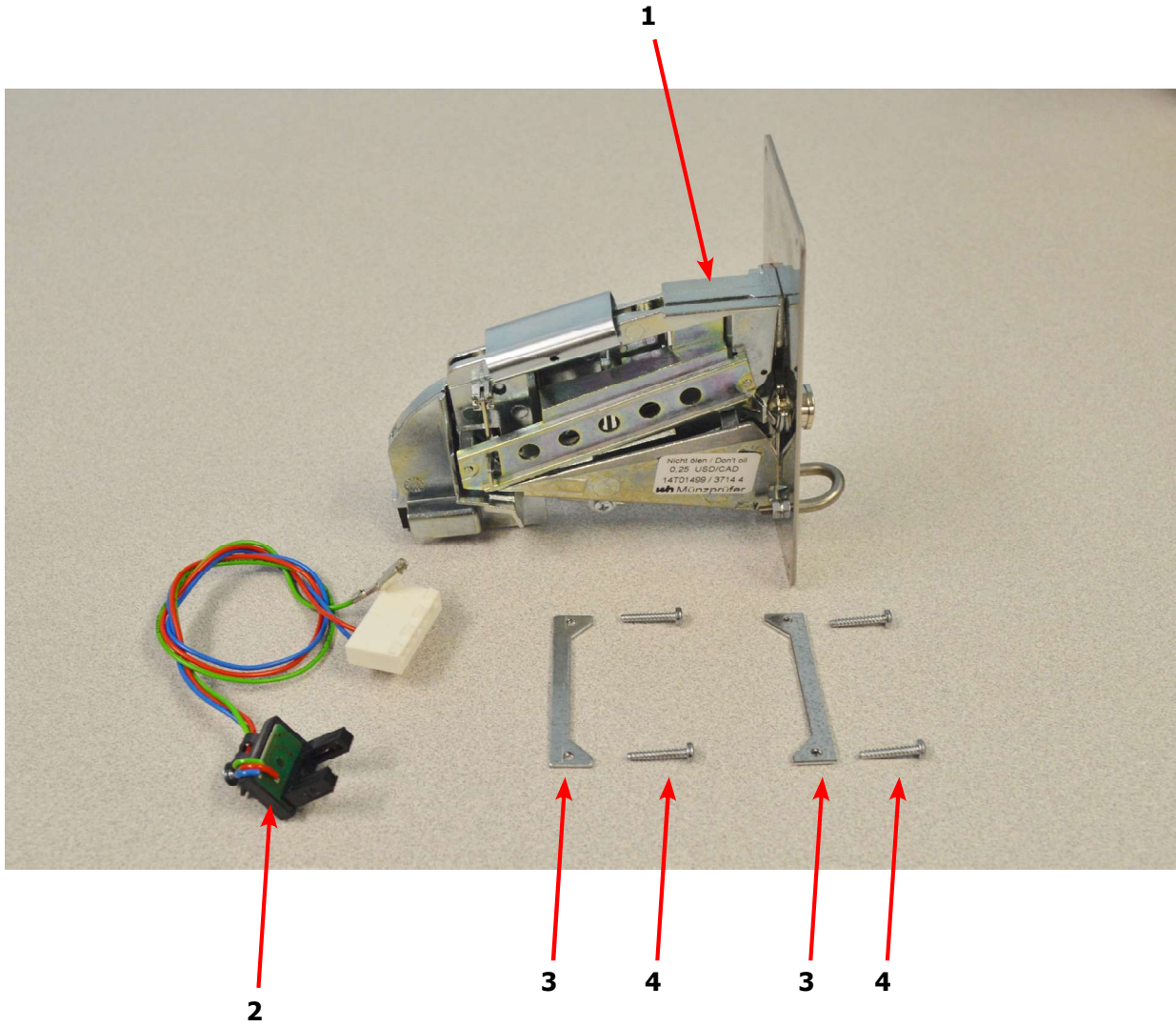
CAUTION: LABEL ALL WIRES PRIOR TO DISCONNECTION WHEN SERVICING CONTROLS. WIRING ERRORS CAN CAUSE IMPROPER AND DANGEROUS OPERATION. VERIFY PROPER OPERATION AFTER SERVICING.

ATTENTION: AU MOMENT DE L'ENTRETIEN DES COMMANDES, ÉTIQUÉTEZ TOUS LES FILS AVANT DE LES DÉBRANCHER. DES ERREURS DE CÂBLAGE PEUVENT ENTRAÎNER UN FONCTIONNEMENT INADÉQUAT ET DANGEREUX. S'ASSURER QUE L'APPAREIL FONCTIONNE ADEQUATEMENT UNE FOIS L'ENTRETIEN TERMINÉ.

9506-546-001PR

WIRING DIAGRAM

| Key | Description | T30 | T50 | T80 | QTY |
|-----|----------------------------|--------------|--------------|--------------|-----|
| 1 | Optical Coin Acceptor | 9021-041-001 | 9021-041-001 | 9021-041-001 | 1 |
| 2 | Replacement Optical Sensor | 9801-099-002 | 9801-099-002 | 9801-099-002 | 1 |
| 3 | Retainer-Coin Acceptor | 9486-149-001 | 9486-149-001 | 9486-149-001 | 2 |
| 4 | Screws-Torq, 4Bx5/8 ss | 9545-053-002 | 9545-053-002 | 9545-053-002 | 4 |



Section 6:

50Hz

Dryer Parts Data

30 lb. Commercial Dryer: T-30 – DC0030NB-10EC1X (60 Hz), DC0030NB-39AC1X (50 Hz)

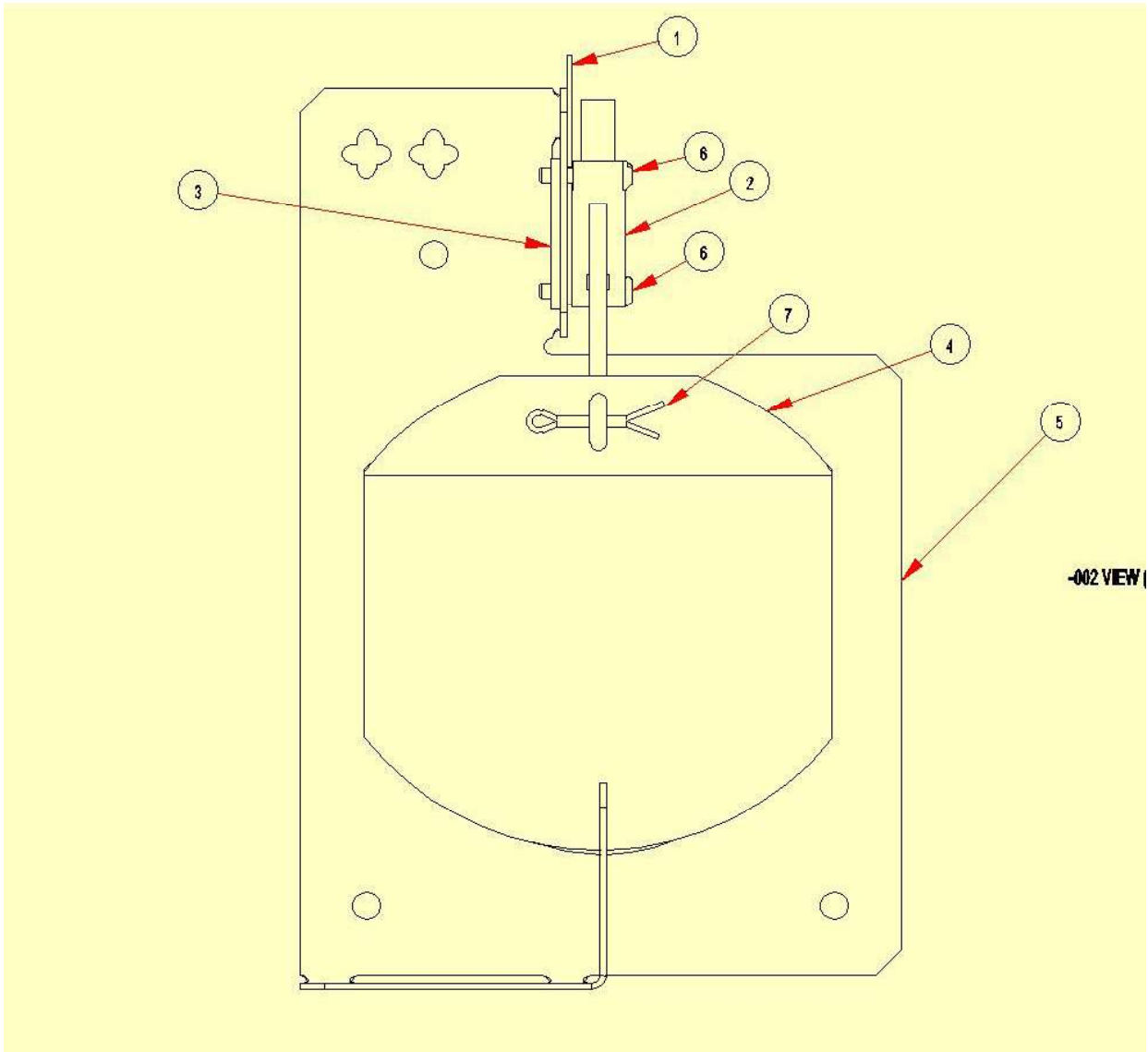
| | | |
|---|---------------|--------------------------|
| Cabinet Height | 72 1/4" | 1835 mm. |
| (Assumes minimum leveling leg adjustment) | | |
| Cabinet Width | 31 1/2" | 800 mm. |
| Overall Depth | 42" | 1067 mm. |
| Floor to Door Center | 41 1/4" | 1048 mm. |
| Door Opening | 22 5/8" | 575 mm. |
| Dry Wt. Capacity | 30 lbs. | 13.6 kg. |
| Cylinder Diameter | 30" | 762 mm. |
| Cylinder Depth | 27 1/2" | 699 mm. |
| Cylinder Volume | 11.25 cu. ft. | 319 liters |
| Lint Screen Area | 515 sq. in. | 3323 sq. cm. |
| Gas Input (60 hz) | 90,000 Btu/hr | 26.4 kW |
| Gas Input (50 hz) | 72,000 Btu/hr | 21.1 kW |
| Gas Supply Connection | 1/2" | 12.7 mm. |
| Natural Gas Supply (Water Column) | 5-10" | 127 mm. - 254 mm. |
| Natural Burner Manifold | 3 1/2" | 88.9 mm. |
| L.P. Supply (Water Column) | 11 1/2 -14" | 292 mm. - 356 mm. |
| L.P. Burner Manifold | 11" | 279 mm. |
| Exhaust Size | 8" | 203 mm. |
| Make-up Air | 1.0 sq. ft. | 929 sq. cm. |
| Example: 1.0 sq. ft = 1 ft. long X 1 ft. wide | | |
| Motor Size | 1/2 H.P. | .373 kW |
| Airflow (60 hz) | 830 CFM | 23.5 m ³ /min |
| Airflow (50 hz) | 690 CFM | 19.5 m ³ /min |

Electrical Specifications - 220-240/50/1

| | | |
|---------------------------------------|-----------------|--|
| Voltage/Hz/Phase 220-240V/50Hz/1Phase | | |
| Running Amps | 5.1 | |
| Circuit Protection Amps | 10 | |
| Wire Size | 14 gauge | |
| Electrical Service | 2 wire + ground | |

| | | |
|----------------------------------|----------|---------|
| Shipping Weight | 507 lbs. | 231 kg. |
| Net Weight | 463 lbs. | 210 kg. |
| Clearance Behind Machines (min.) | 18" | 457 mm. |

Parts Section-39 & -59 230VAC 1 PH 50Hz

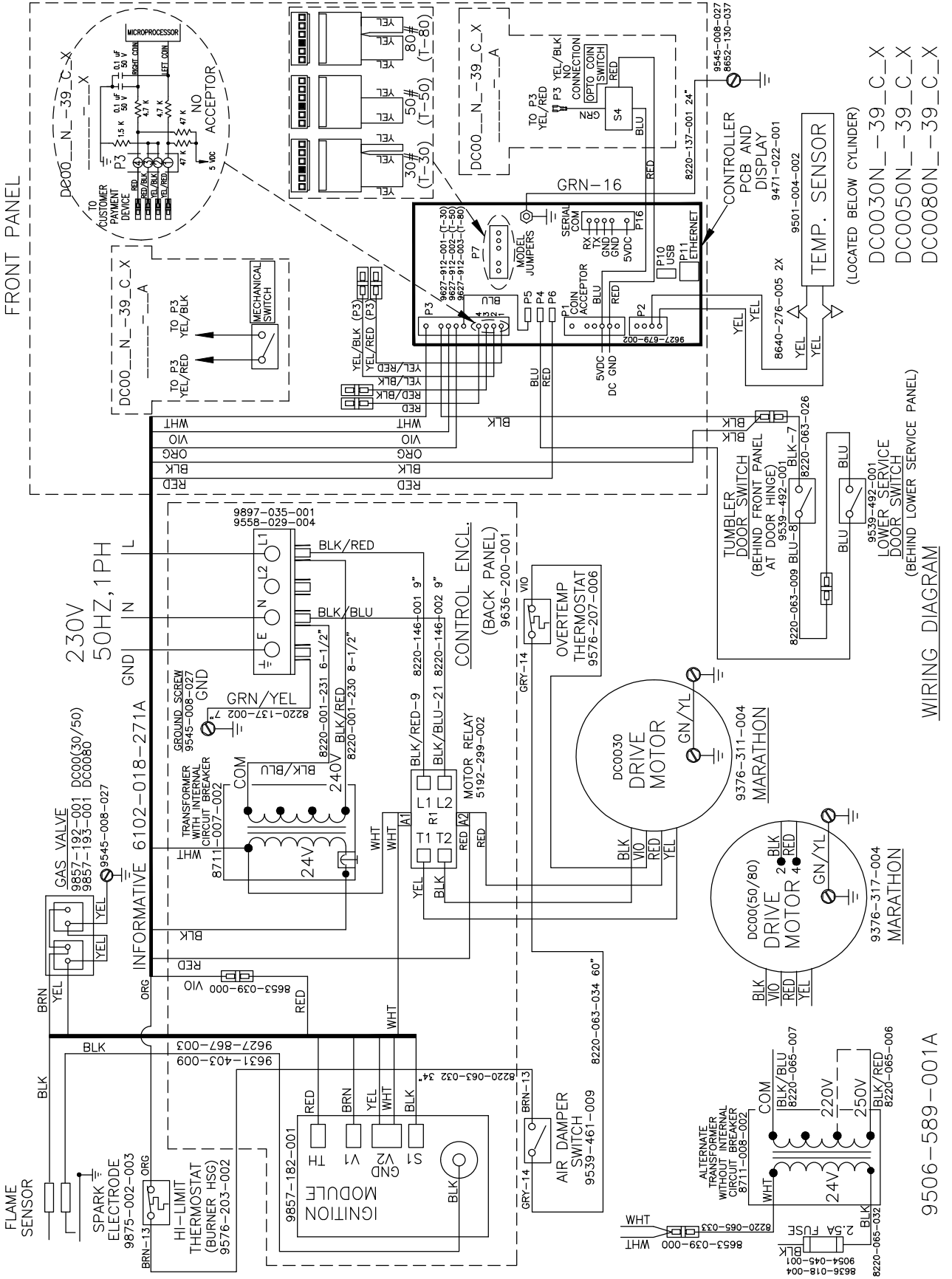


| Key | Description | T-30 | T-50 | T80 | QTY |
|-----|---------------------------------|--------------|--------------|--------------|-----|
| | Switch Assembly-Air flow (1-7) | 9801-095-002 | 9801-098-002 | 9801-098-002 | 1 |
| 1 | Shield - Switch | 9550-169-003 | 9550-169-003 | 9550-169-003 | 1 |
| 2 | Switch Micro | 9539-461-009 | 9539-461-009 | 9539-461-009 | 1 |
| 3 | Nut - Twin, 4-40 | 8640-401-001 | 8640-401-001 | 8640-401-001 | 1 |
| 4 | Actuator-Switch, Air-Flow | 9008-007-001 | 9008-007-001 | 9008-007-001 | 1 |
| 5 | Bracket-Airflow switch | 9029-174-002 | 9029-200-002 | 9029-200-002 | 1 |
| 6 | Screw-PNHDSL, 4-40, UNC x 0.625 | 9545-020-001 | 9545-020-001 | 9545-020-001 | 2 |
| 7 | Pin-Cotter, 0.09375 x 0.75 | 9451-169-002 | 9451-169-002 | 9451-169-002 | 1 |

Parts for 50hz Dryer -39

| Key | Description | T-30 | T-50 | T80 | QTY |
|-----|--------------------------------|--------------|--------------|-----|-----|
| * | Motor, Marathon 50Hz | 9376-311-004 | 9376-317-004 | N.A | 1 |
| * | Pulley, Motor | 9453-169-009 | 9453-169-014 | N.A | 1 |
| * | Strip Terminal Marker | 9558-029-004 | 9558-029-004 | N.A | 1 |
| * | Wiring Label-Schematic/Diagram | 9506-496-001 | 9506-496-001 | N.A | 1 |
| * | Orifice Main Burner, #32 | 9425-069-009 | | N.A | 2 |
| * | Orifice Main Burner, #32 | | 9425-069-009 | N.A | 3 |
| * | Orifice Main Burner, #30 | | | N.A | 4 |
| * | LP Kit | 9732-102-019 | 9732-102-021 | N.A | 1 |
| * | Overlay-Trim Lower door | 9435-016-004 | 9435-016-005 | N.A | 1 |
| * | Label Warning | 8502-698-001 | 8502-698-001 | | 1 |

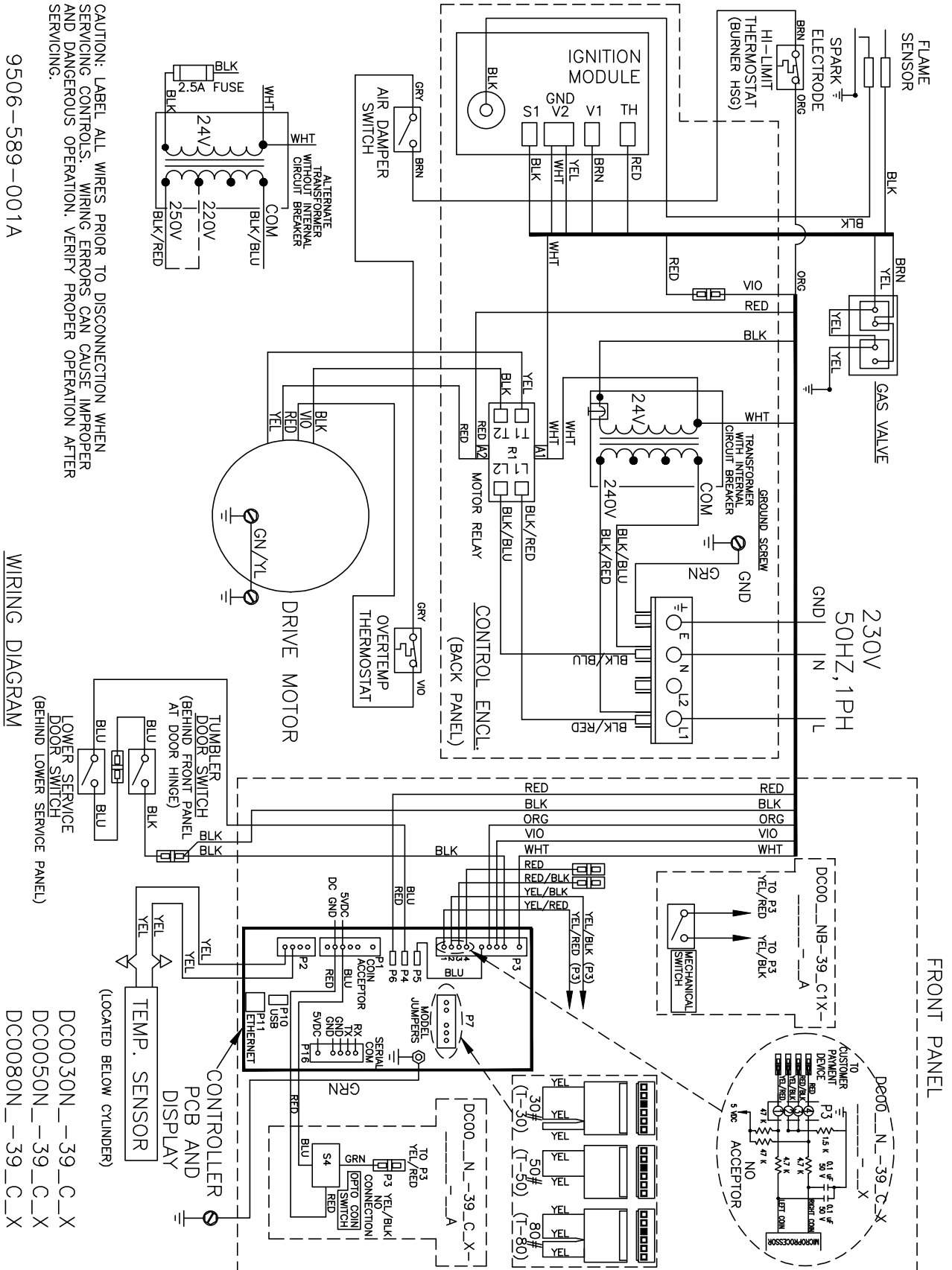
Wiring Informitive for 50hz Dryer -39



WIRING DIAGRAM (BEHIND LOWER SERVICE PANEL)

9506-589-001A

Wiring Diagram for 50hz Dryer -39



CAUTION: LABEL ALL WIRES PRIOR TO DISCONNECTION WHEN SERVICING CONTROLS. WIRING ERRORS CAN CAUSE IMPROPER AND DANGEROUS OPERATION. VERIFY PROPER OPERATION AFTER SERVICING.

9506-589-001A

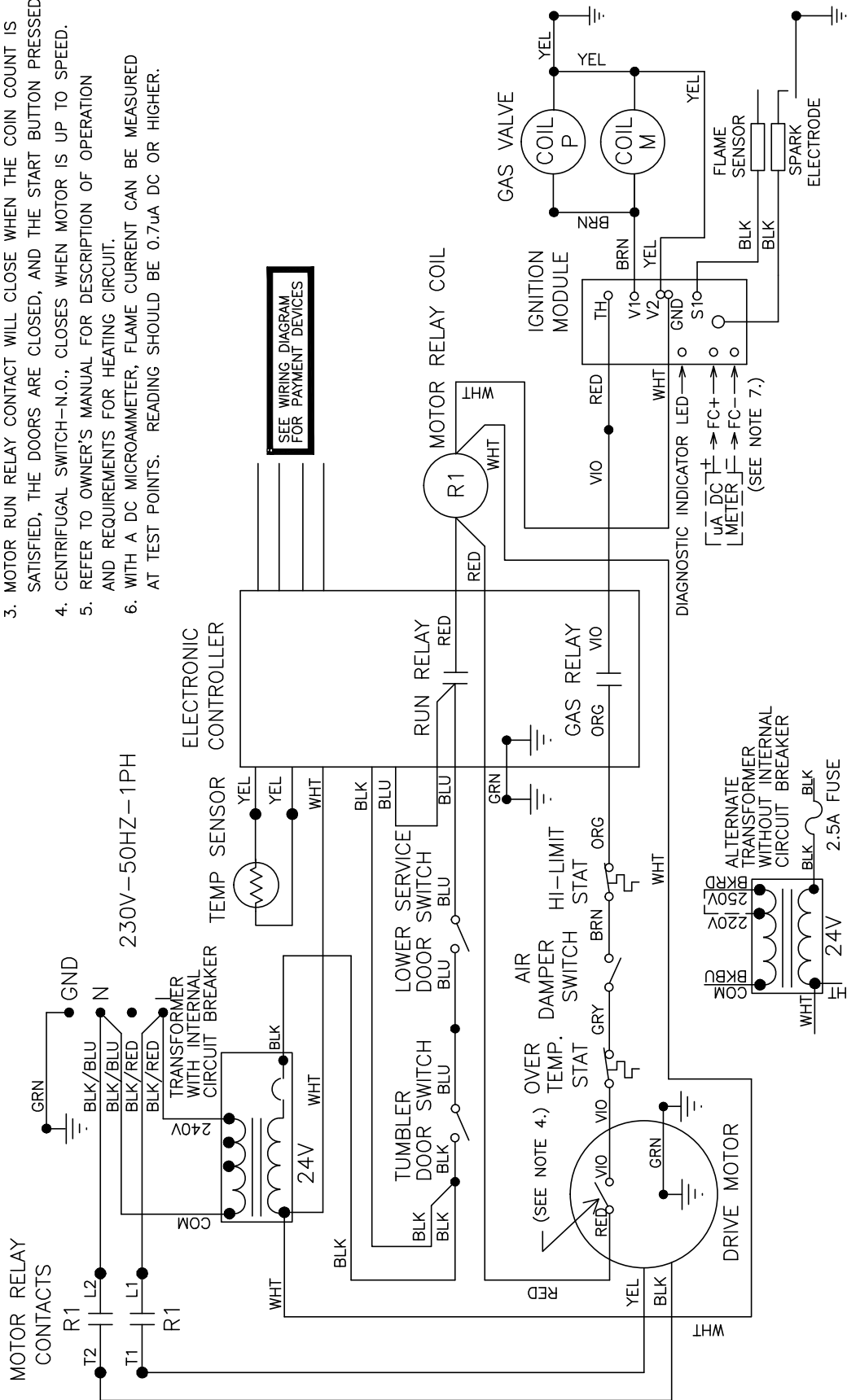
WIRING DIAGRAM

- DC0030N-39_C_X
- DC0050N-39_C_X
- DC0080N-39_C_X

Wiring Schematic for 50hz Dryer -39

NOTES:

1. COIN SWITCH-N.O., CLOSES WHEN COIN IS INSERTED (SEE SHEET 2).
2. DOOR SWITCHES-N.O., CLOSED WHEN DOORS ARE CLOSED.
3. MOTOR RUN RELAY CONTACT WILL CLOSE WHEN THE COIN COUNT IS SATISFIED, THE DOORS ARE CLOSED, AND THE START BUTTON PRESSED.
4. CENTRIFUGAL SWITCH-N.O., CLOSES WHEN MOTOR IS UP TO SPEED.
5. REFER TO OWNER'S MANUAL FOR DESCRIPTION OF OPERATION AND REQUIREMENTS FOR HEATING CIRCUIT.
6. WITH A DC MICROAMMETER, FLAME CURRENT CAN BE MEASURED AT TEST POINTS. READING SHOULD BE 0.7uA DC OR HIGHER.



CAUTION: LABEL ALL WIRES PRIOR TO DISCONNECTION WHEN SERVICING CONTROLS. WIRING ERRORS CAN CAUSE IMPROPER AND DANGEROUS OPERATION. VERIFY PROPER OPERATION AFTER SERVICING.

DC0030N_-39_C_X
 DC0050N_-39_C_X
 DC0080N_-39_C_X

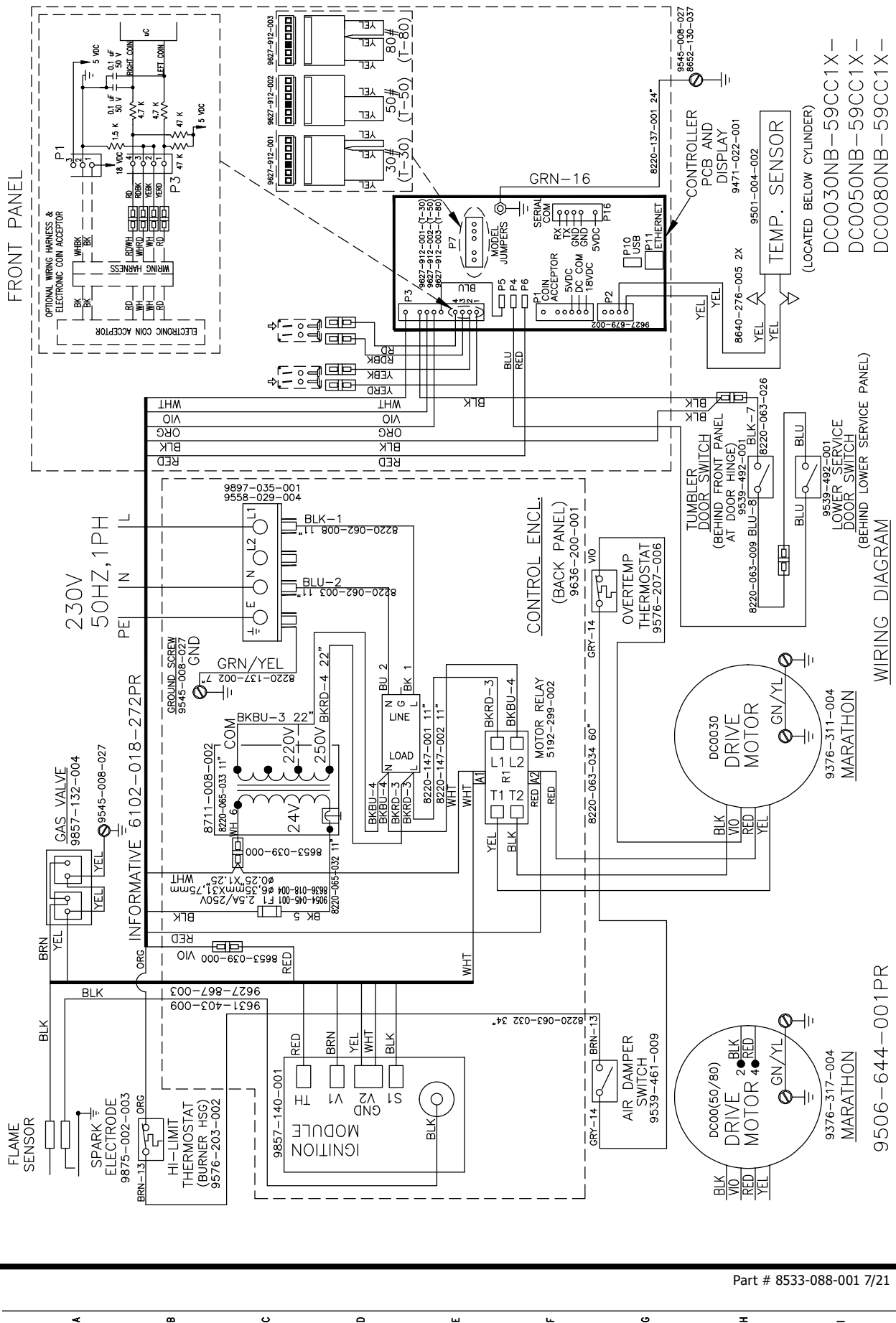
SCHEMATIC

9506-589-001A

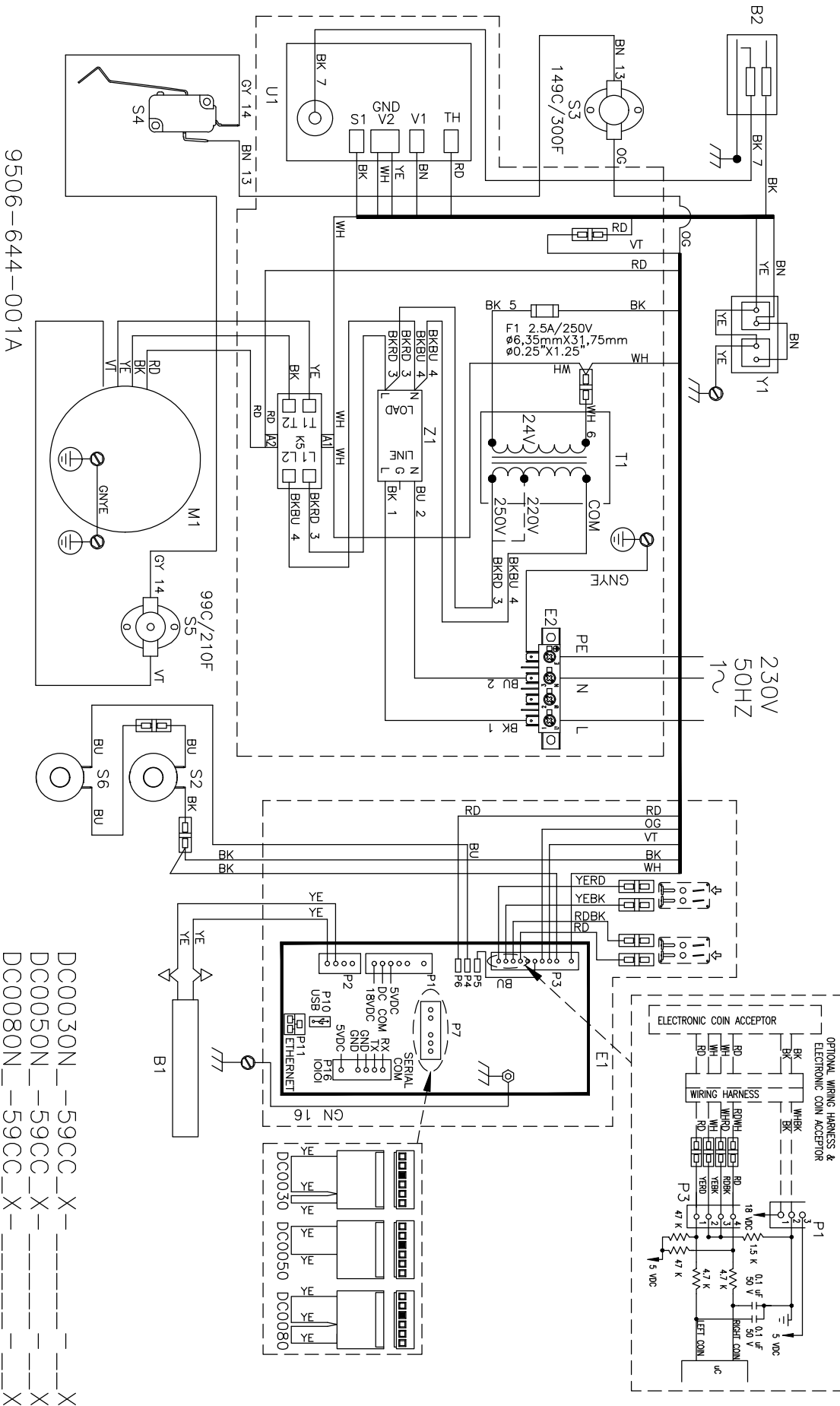
Parts for 50hz Dryer -59

| Key | Description | T-30 | T-50 | T80 | QTY |
|-----|--------------------------------------|------|------|--------------|-----|
| * | Strip Terminal Marker | N.A | N.A | 9558-029-004 | 1 |
| * | Filter, MEI | N.A | N.A | 9183-030-001 | 1 |
| * | Transformer, Control | N.A | N.A | 8711-008-002 | 1 |
| * | Holder, Fuse | N.A | N.A | 9054-045-001 | 1 |
| * | Fuse 2.5 Amp | N.A | N.A | 8636-018-004 | 1 |
| * | Motor, Marathon 50Hz | N.A | N.A | 9376-317-004 | 1 |
| * | Pulley, Motor | N.A | N.A | 9453-169-009 | 1 |
| * | Wiring Label-Schematic/Diagram | N.A | N.A | 9506-644-001 | 1 |
| * | Orifice Main Burner, #30 Natural | N.A | N.A | 9425-069-002 | 4 |
| * | LP Kit | N.A | N.A | 9732-102-030 | 1 |
| * | Gas Valve Assembly | N.A | N.A | 9857-132-004 | 1 |
| * | Kit-Honeywell VR86 Flange Kit 3/4 | N.A | N.A | 9732-162-002 | 2 |
| * | Adaptor Assembly Gas Valve | N.A | N.A | 9791-001-001 | 1 |
| * | Manual, Operators | N.A | N.A | 8514-234-002 | 1 |

Wiring Informitive for 50hz Dryer -59



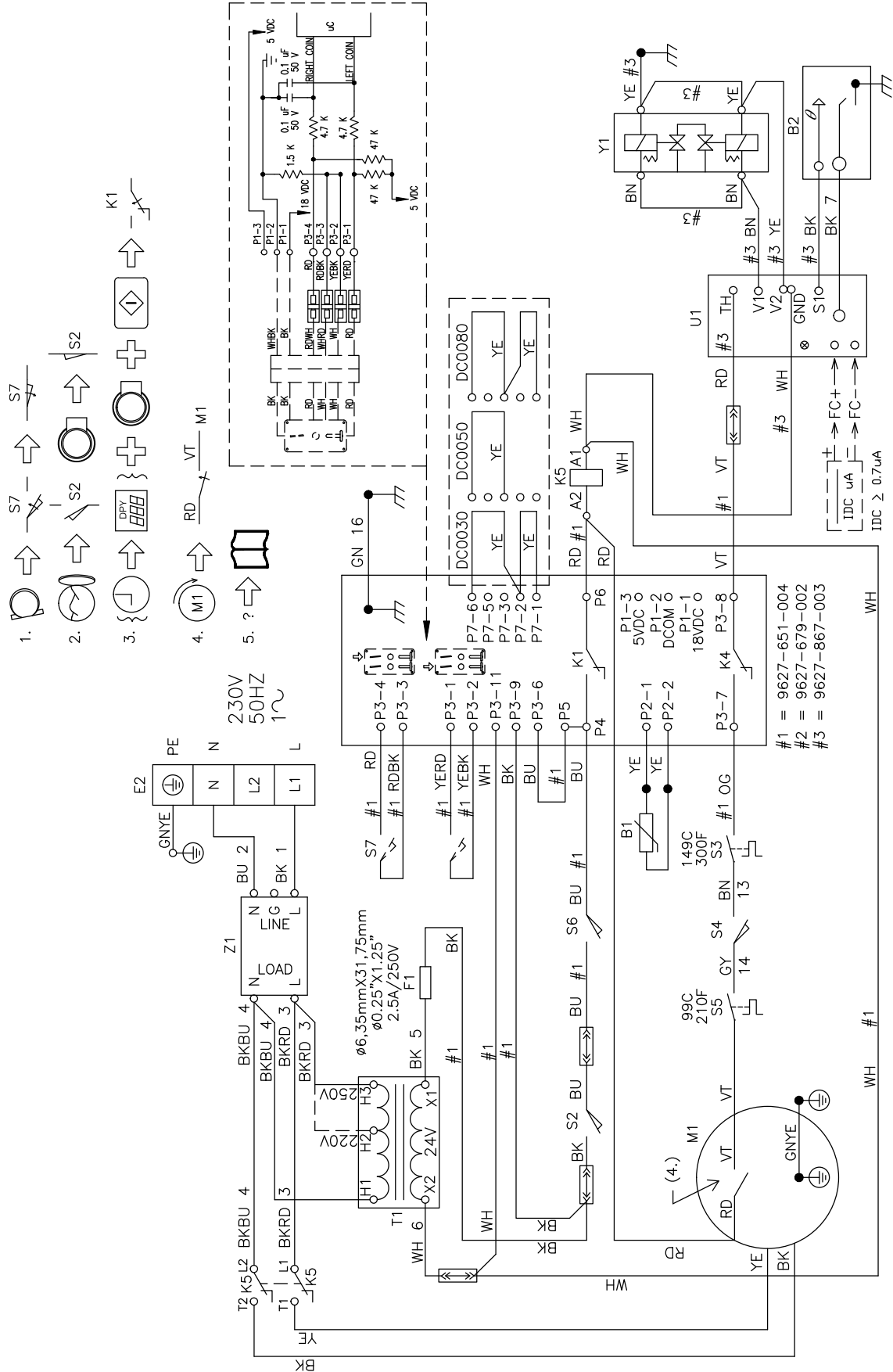
Wiring Diagram for 50hz Dryer -59



9506-644-001A

- DC0030N -59CC X
- DC0050N -59CC X
- DC0080N -59CC X

Wiring Schematic for 50hz Dryer -59



DC0030N_59CC_X_--X
DC0050N_59CC_X_--X
DC0080N_59CC_X_--X

9506-644-001A

Notes

Lined area for notes with horizontal ruling lines.