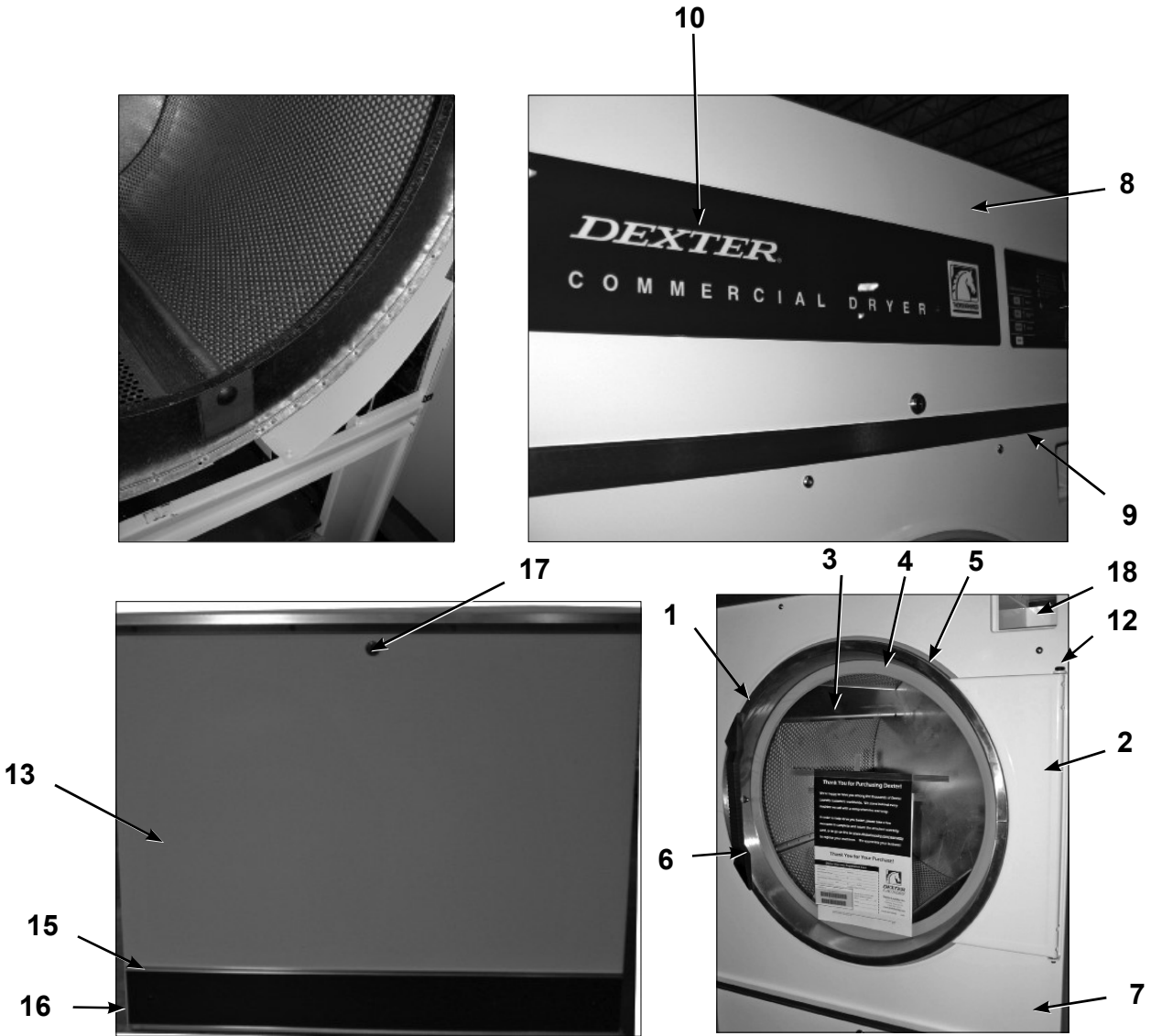


---

# Section 6: Parts Data

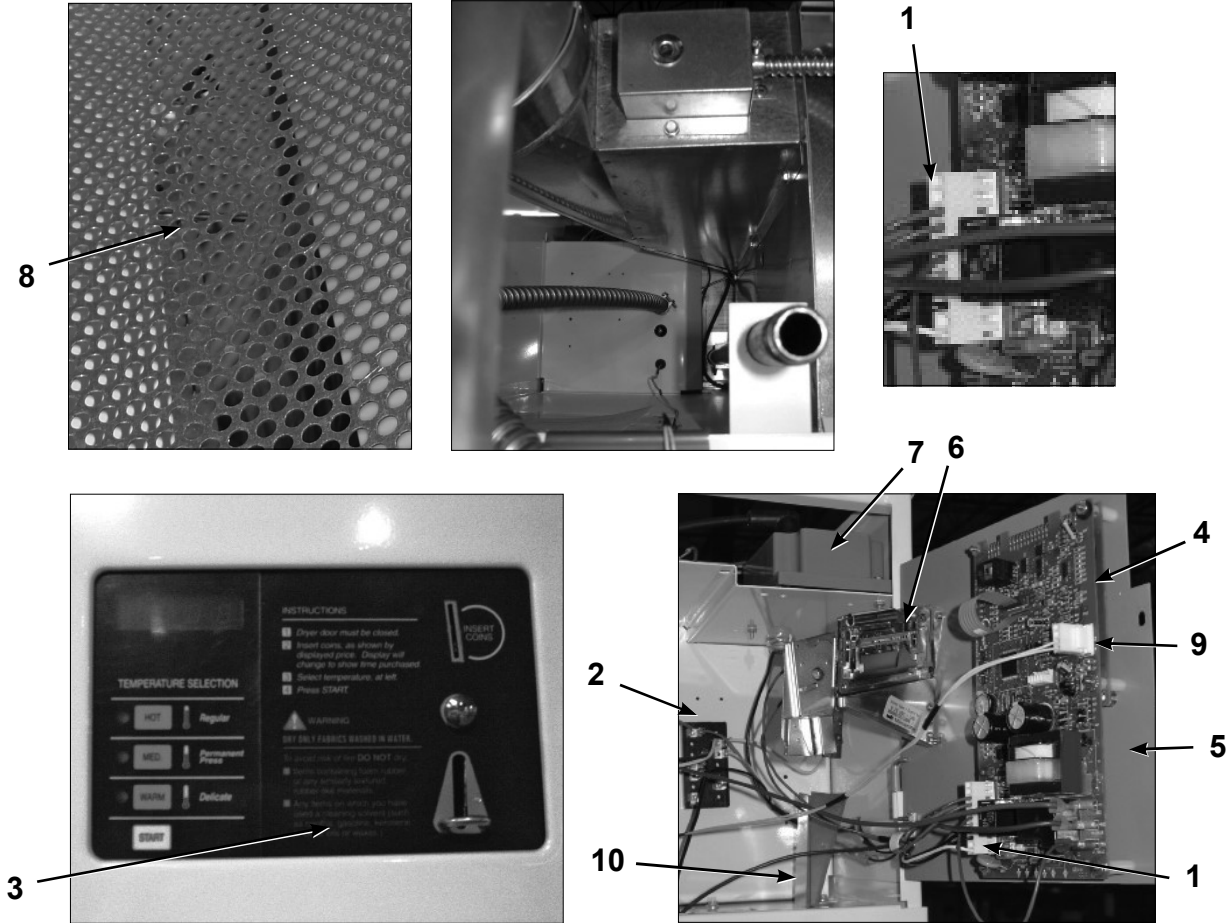
## Cabinet Group

Key	Part Number	Description	Qty
•	9960-256-021	Door Assembly, Loading Complete-WHT	1
•	9960-256-022	Door Assembly, Loading Complete-ALM	1
•	9960-256-025	Door Assembly, Loading Complete-SS	1
1	9960-255-007	Door Assembly Only, Loading SS	1
2	9982-280-002	Plate Assembly, Hinge-WHT	1
2	9982-280-005	Plate Assembly, Hinge-ALM	1
2	9982-280-011	Plate Assembly, Hinge-SS	1
•	9545-012-015	Screw, Hinge to Door #10-32x 3/8	4
•	8640-413-002	Nut, Hinge to Door #10-32UNF	4
3	9212-002-003	Glass, Door	1
4	9206-164-009	Gasket, Glass	1
•	9548-117-000	Support, Door Glass (inside Gasket)	3
5	9206-420-002	Gasket, Outer Rim	1
6	9244-082-001	Handle, Loading Door	1
•	9545-018-017	Screw, Handle 1/4" 20 x 3/8"	2
•	9531-033-001	Stud, Door Catch	1
•	8640-413-001	Nut, Hex	1
•	8640-413-003	Nut, Acorn # 10-32	1
•	9086-015-002	Catch, Loading Door	1
•	8638-190-009	Rivet, Pop-Catch loading door	2
7	9454-569-005	Panel Assembly, Front WHT	1
7	9454-569-008	Panel Assembly, Front ALM	1
7	9454-569-010	Panel Assembly, Front SS	1
8	9108-084-010	Door, Upper Service WHT	1
8	9108-084-013	Door, Upper Service ALM	1
8	9108-084-014	Door, Upper Service SS	1
9	9578-085-001	Trim, Upper Service Door	1
•	9491-009-001	Rivet, Drive-Door Hinge	2
•	8641-581-005	Washer, Flat 3 /16	2
•	9548-268-001	Support, Upper Door	1
•	8650-006-003	Lock w/nut Lower Service Door	1
•	6292-006-006	Key, Service Lock (FJWCC)	1
10	9412-083-001	Nameplate, Commerical Dryer	1
•	9545-012-003	Screw, Chrome 10-32 x 1/2	4
•	8641-436-004	Washer, Fiber	4
•	8641-582-019	Lockwasher #10	10
•	8640-399-001	Nut, Spring U Type 10Z-Front Panel Clips	6
11	9544-047-002	Strap, Hinge-WHT	1
11	9544-047-005	Strap, Hinge-ALM	1
11	9544-047-007	Strap, Hinge-SS	1
•	9545-012-003	Screw, Hinge To Panel 10T-32 x 1/2	4
12	9545-052-001	Screw, Door to Hinge Strap (special)	1
•	8641-436-003	Washer, Fiber/Plastic VSCO on Door Hinge (special)	1
13	9960-243-022	Door Assembly, Lower Service WHT	1
13	9960-243-025	Door Assembly, Lower Service ALM	1
13	9960-243-026	Door Assembly, Lower Service SS	1
14	9578-081-002	Trim-Handle, Lower Service Door	1
•	9545-008-021	Screw, Pn Hd Cr-#10 x 3/8	1
15	9578-084-001	Trim, Kick-Lower Service Door	1
*	9472-001-013	Cabinet Touch Up Paint (White)	1



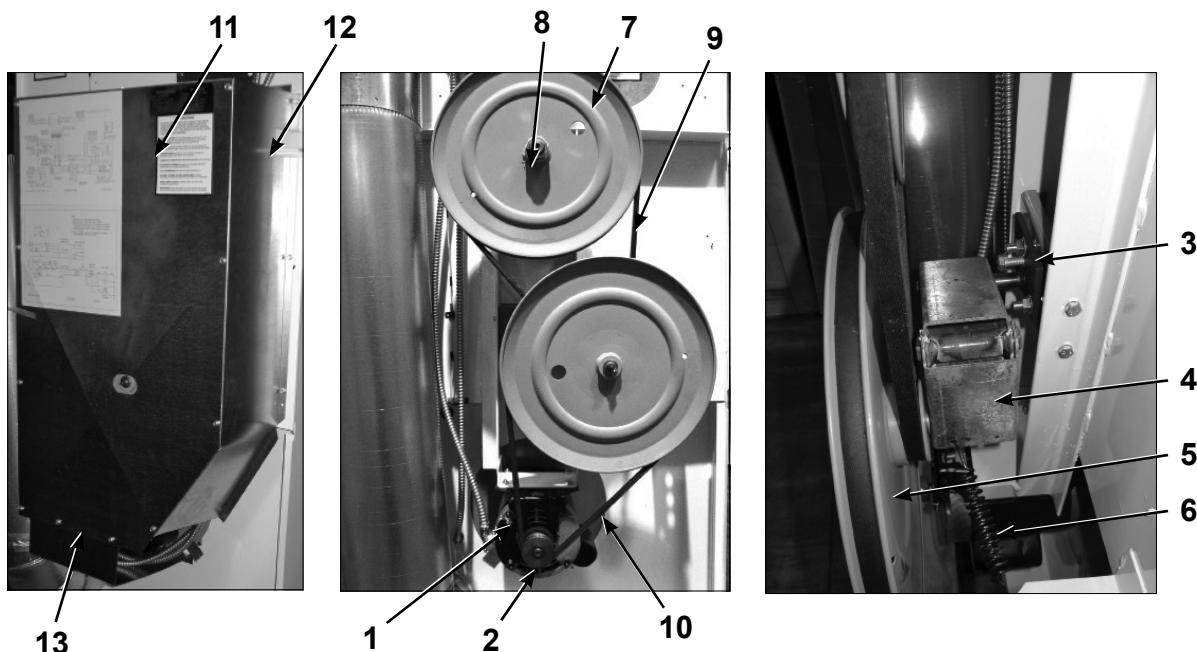
Key	Part Number	Description	Qty
16	9435-004-001	Overlay, Trim Kick	1
•	9545-008-010	Screw, Tr Hd Cr #10 x 1/2 BLK	3
17	8650-006-003	Lock w/nut Lower Service Door	1
•	8502-617-001	Label-Made in the USA	1
18	9942-027-002	Vault Assembly, Coin - SS	1
18	9942-027-004	Coin Vault Assembly White	1
18	9942-027-003	Coin Vault Assembly Almond	1
•	9807-099-001	Box Assembly Coin Vault ESD W/lock & Key Chrome	1
•	9277-041-002	Insulation Side Pannel	1
•	9277-041-004	Insulation Side Pannel	1
•	9277-047-001	Insulation 1/4" Black Top LH Side Burner Area	1
•	9277-047-002	Insulation 1/4" Black Service Door	1
•	8544-006-001	Leg, Leveling	4
•	9545-008-003	Screw, #10 x 1/2 TEK	8
•	9074-236-001	Cover, Cabinet	1

# Front Control Housing Group



Key	Part Number	Description	Qty
1	9627-651-002	Harness Assembly, Micro	1
2	9897-026-001	Terminal Block Assembly	1
•	9545-031-004	Screw, 6AB x 3/8" (for Terminal Block)	2
3	9801-077-001	Membrane, Switch Assembly	1
4	9471-010-002	PCB Board Control	1
•	8651-053-003	Plug, Button	1
5	9982-305-002	Plate Assembly, Control Mounting	1
•	9451-146-005	Pin-Hinge Meterplate	2
6	9021-002-016	Acceptor-Coin 25¢	1
•	9054-045-001	Fuse Holder	1
•	8636-018-001	Fuse 1.5 Amp	1
•	8711-002-001	Transformer-Control	1
7	9857-116-003	Control, Ignition	1
•	9627-650-001	Harness Assembly, Low Voltage	1
•	9631-403-001	Wire Assy High Voltage (From Ignition Control)	1
8	9501-004-002	Temperature Sensor	1
9	9627-679-002	Wire Harness, Temp Sensor	1
•	8640-276-005	Nut, Wire connector 71B, BLK	2
•	9452-614-001	Bracket Sensor Mounting	1
•	9545-045-005	Screw, Mounting Bracket 8B x 1/4	1
10	9940-013-001	Coin Chute Assembly	1

## Drive Group

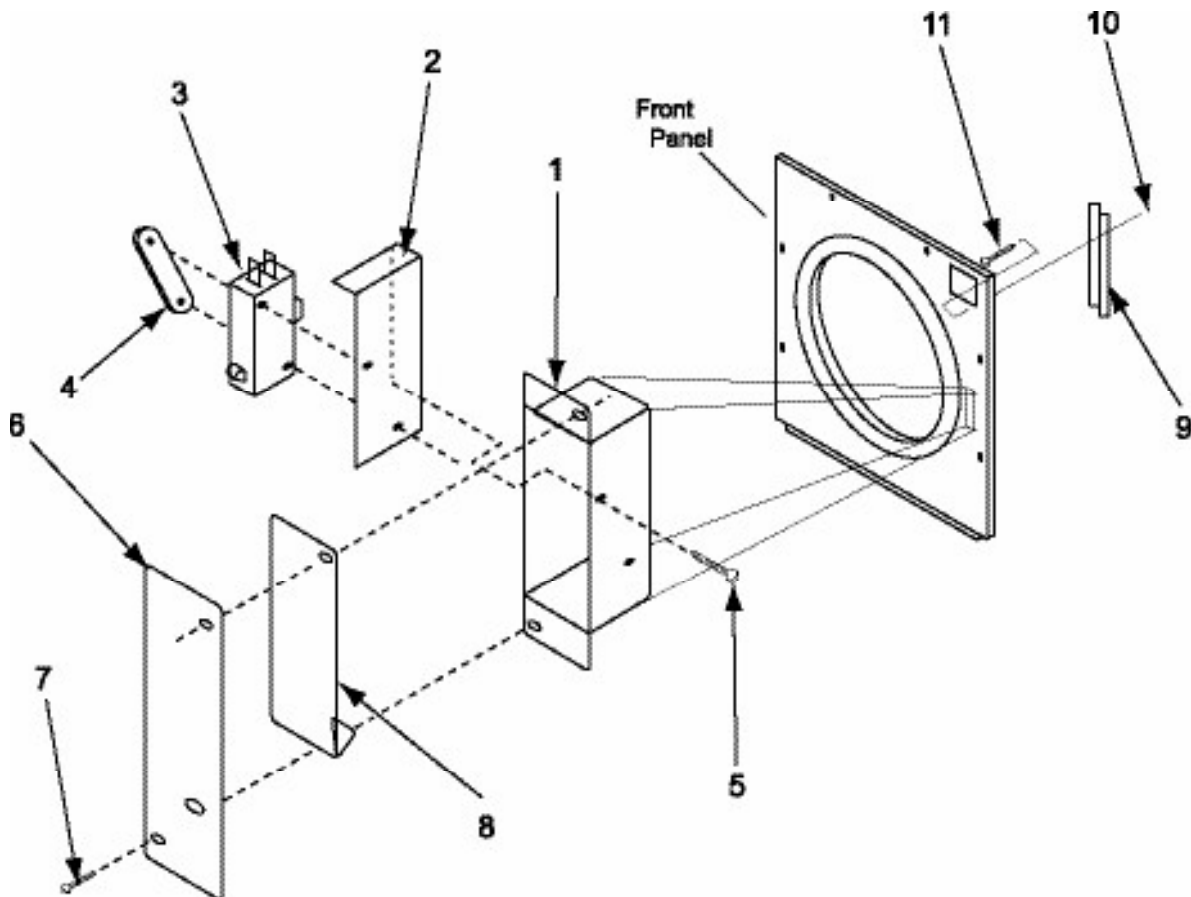


Key	Part Number	Description	Qty
1	9376-259-006	Motor, Drive AO Smith before serial #210650	1
1	9376-311-001	Motor, Marathon after serial #210650	1
•	9545-014-004	Screw, Hx 5/16-18 x 5/8	4
•	8640-400-003	Nut 5/16 - 18	4
2	9453-157-001	Pulley - Motor	1
•	9545-028-013	Screw, Set	2
3	9991-053-002	Support Assembly, Intermediate Pulley	1
•	9545-029-010	Bolt, Rd Hd, 3/8-16 x 1 1/4	3
•	9545-029-012	Screw, 3/8-16 x 1 1/2	1
•	8640-415-004	Nut, 3/8-16	3
•	8641-581-035	Washer, Flat	3
4	9861-022-001	Arm Assembly-Tension Complete	1
5	9908-039-001	Pulley Assembly, Intermediate-W/Bearings	1
•	9036-145-002	Bearings, Bronze Flange	2
•	9487-200-003	Ring, Retaining	3
6	9534-319-002	Spring, Belt Tension	1
•	8641-581-035	Washer, Flat	2
7	9908-040-001	Pulley Driven	1
•	9306-006-000	Key, Woodruff	1
8	8640-222-000	Nut, 1"-14	1
•	8641-582-015	Washer,Lock Internal Tooth	1
9	9040-073-004	Belt, Final Drive	1
10	9040-077-002	Belt, Motor Drive	1
11	9208-065-001	Guard, Drive	1
*	9545-008-024	Guard Screws	*
12	9454-596-002	Pannel, Drive Guard, RH	1
•	9454-595-002	Pannel, Drive Guard, LH	1
13	9550-190-001	Shield, Motor	1
•	9545-008-003	Screw 10-16 x 1/2, TEK	2
•	9545-008-024	Screw, 10AB x 3/8 (To Attach to Guards Above)	20

# Door Switch Group

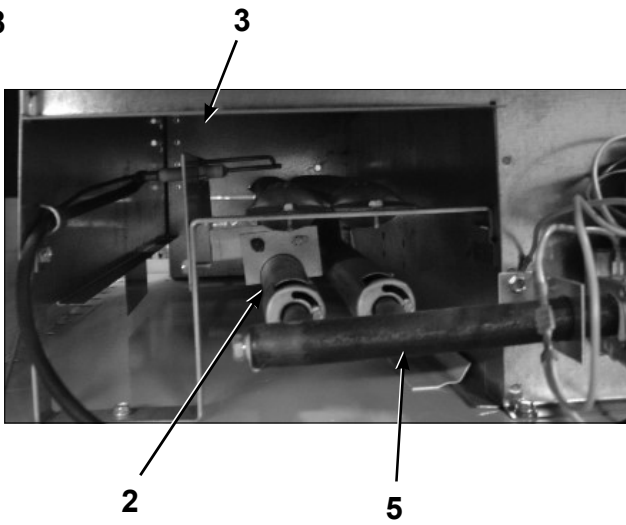
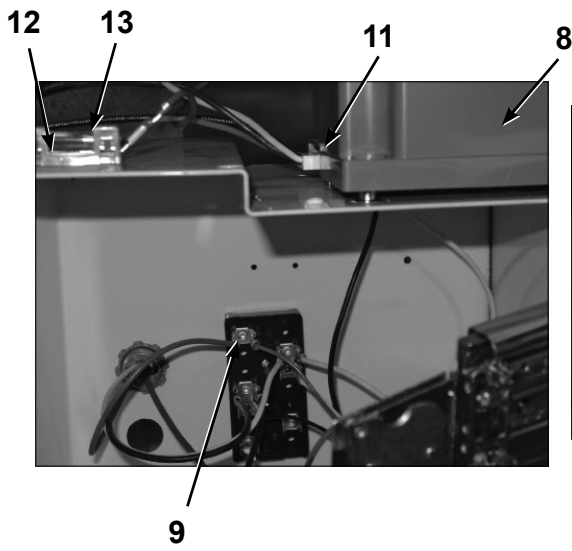
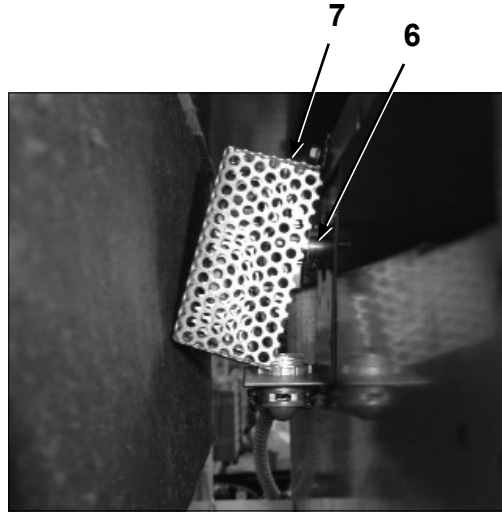
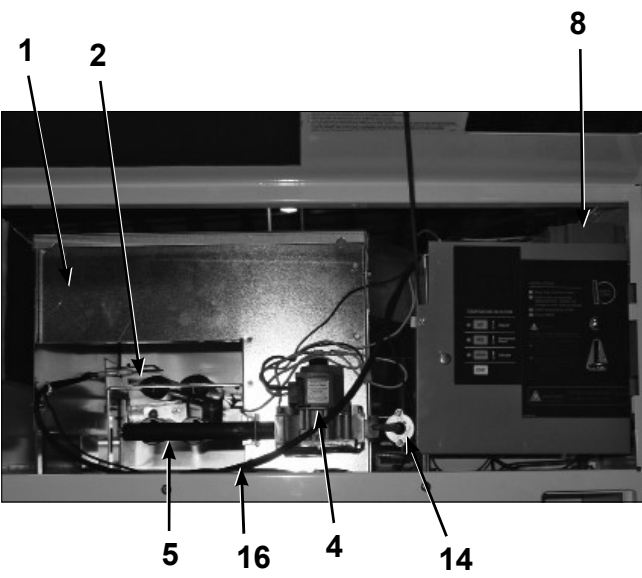
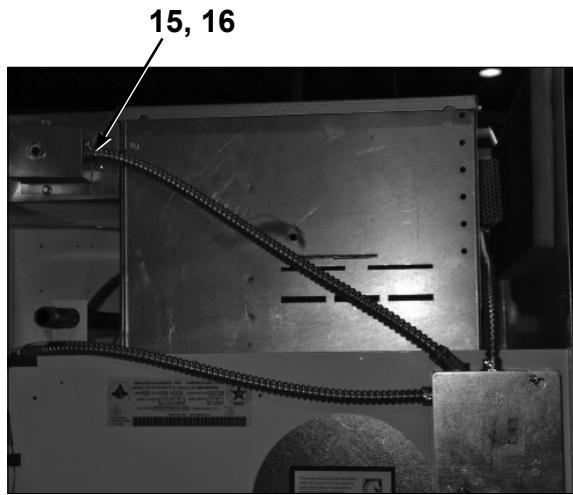
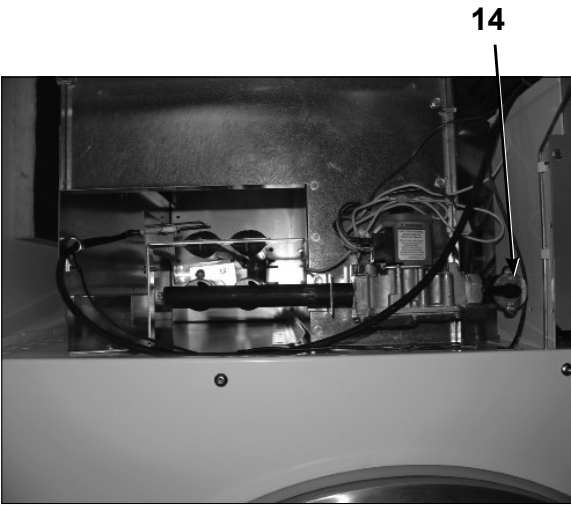
Key	Part Number	Description	Quantity
1	9041-076-001	Box, Door Switch .....	1
2	9550-159-001	Shield, Door Switch .....	1
3	9539-461-001	Switch, Door .....	1
4	8640-401-001	Nut, Special Twin #4-40 .....	1
5	9545-020-001	Screw, Pn Hd Sl.#4-40x5/8 .....	2
6	9074-255-001	Cover, Switch Box.....	1
7	9545-008-020	Screw, Box Cover 10 AB x 3/4" .....	2
8	9008-004-001	Actuator, Switch.....	1
9	6068-041-001	Conduit Special .....	1
10	9545-012-003	Screw. 10-32 x 1/2" .....	1
*	8641-436-000	Washer, Fiber .....	1
11	8640-413-004	Nut, ElasticStop 10 -32.....	1
*	8220-127-001	Wire Assembly, Black 48".....	1
*	8220-127-002	Wire Assembly, Blue 65" .....	1

\* Not Illustrated



## Burner Housing Group

Key	Part Number	Description	Quantity
1	9803-163-002	Housing Assembly, Burner Welded	1
•	9545-008-024	Screw 10AB x 3/8	2
2	9048-018-001	Burner, Main	3
•	9545-008-008	Screw 10 T-32 x 1/4"	3
3	9875-002-003	Electrode, Ignition	1
•	9985-161-001	Bracket Assembly, Electrode Mounting	1
•	9545-008-024	Screw, Electrode Mtg 8B x 10x 3/8"	2
4	9857-134-001	Control Assy, Gas	1
5	9381-009-001	Manifold, 2 port	1
•	9425-069-002	Orifice, Burner-Natural #30	2
•	9425-069-003	Orifice, Burner-LP #48	2
6	9576-203-002	Thermostat, Hi-Limit	1
•	9538-142-001	Spacer, Hi-Limit	2
•	9545-045-007	Screw 8B x 3/4"	2
7	9074-234-001	Cover, Hi-Limit Stat	1
•	9545-008-024	Screw 10 B x 3/8"	1
8	9857-116-003	Control, Ignition (Gray Box)	1
•	9545-044-002	Screw 6-32 x 1"	2
•	8640-411-003	Nut, Hex Keps 6 x 32	2
9	9897-026-001	Terminal Block Power (Inside Control Panel)	1
•	9545-031-004	Screw 6 AB x 5/8"	2
•	9039-915-001	Bracket, Pipe gas line	1
•	9545-008-003	Screw 6AB x 5/8"	2
10	9631-403-001	Wire Ass'y, High Voltage	1
11	9627-650-001	Harness, Low Voltage Ignition	1
12	9054-045-001	Fuseholder	1
13	8636-018-001	Fuse 1.5 amps	1
•	8711-007-001	Transformer, Control	1
•	9545-012-009	Screw, 10x1/2"	2
•	9732-102-003	Kit, LP Conversion	1
•	9548-256-001	Support, Front Burner	1
•	9545-008-008	Screw 10T-32 x 1/2"	3
14	9379-164-001	Valve, Gas Shut-Off w/ brass union (Optional)	1
•	9458-020-003	Pipe, Gas Line	1
•	9918-002-002	Recirculation Boot	1
•	9545-008-024	Screw, 10AB x 3/8"	7
•	9576-207-006	Thermostat, Over Temp-Manual Reset	1
•	9545-045-008	Screw, 8AB x 3/8"	2
16	9825-057-002	Cover, Over Temp Thermostat	1
•	9545-008-024	Screw, 10AB x 3/8"	2

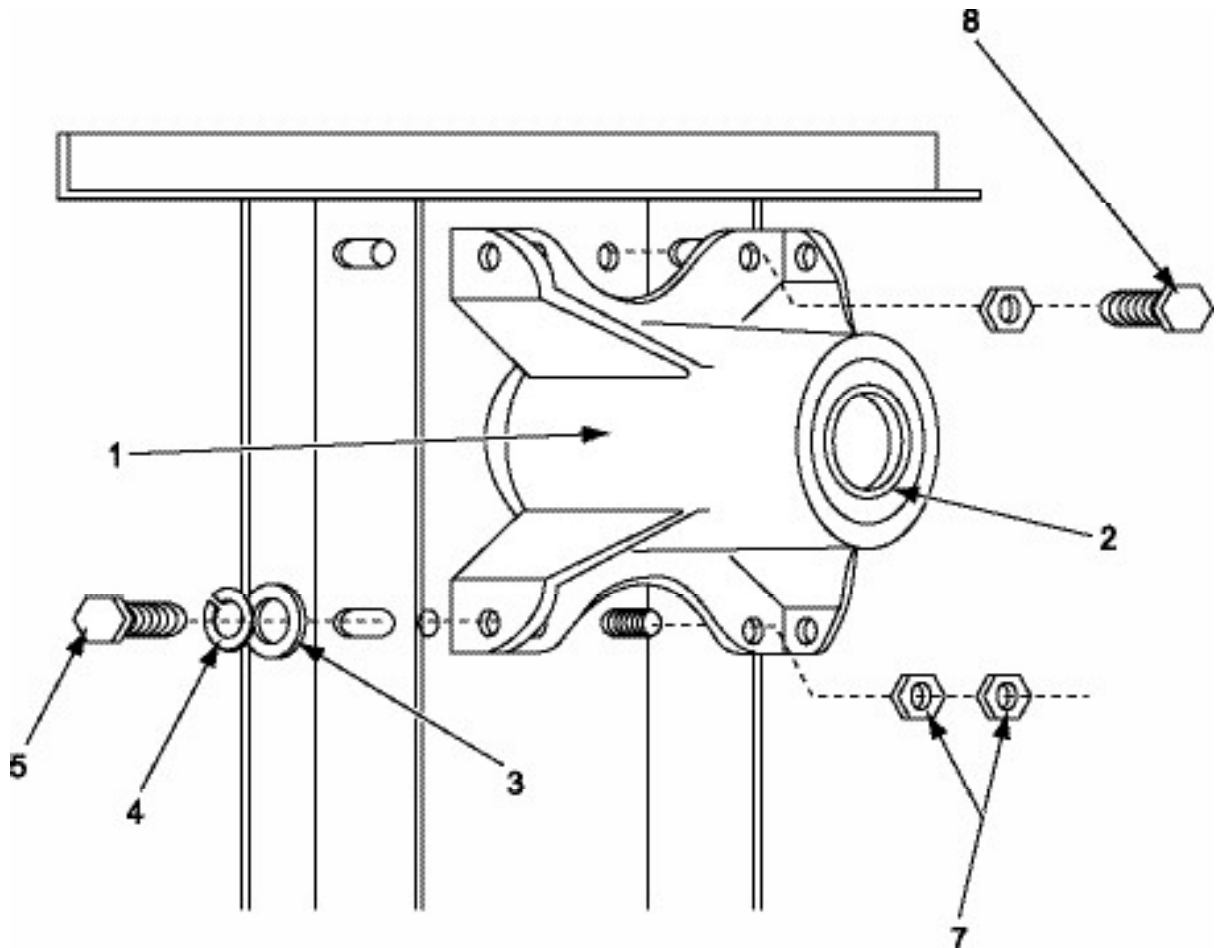




# Bearing Housing Group

Key	Part Number	Description	Quantity
*	9803-160-002	Housing, Bearing Ass'y w one( rear ) bearing.....	1
1	9241-161-001	Housing, Bearing.....	1
2	9036-130-001	Bearing, Ball-Rear.....	1
*	9036-130-001	Bearing, Ball-Front.....	1
	9538-139-001	Spacer, Bearing.....	1
3	8641-581-009	Washer, Flat 3/8".....	4
4	8641-582-003	Lockwasher spring 3/8".....	4
5	9545-049-002	Screw 3/8" x 3/4".....	4
6	8640-415-002	Nut, 3/8".....	2
*	8640-400-002	Nut, 5/16".....	4
*	8640-222-000	Nut, Tumbler Shaft.....	1
*	9306-006-000	Key, Tumbler Shaft.....	1
*	9908-040-001	Pulley Drive.....	1
*	9552-013-003	Shim.....	1
8	9545-049-001	Screw 3/8" x 1".....	2

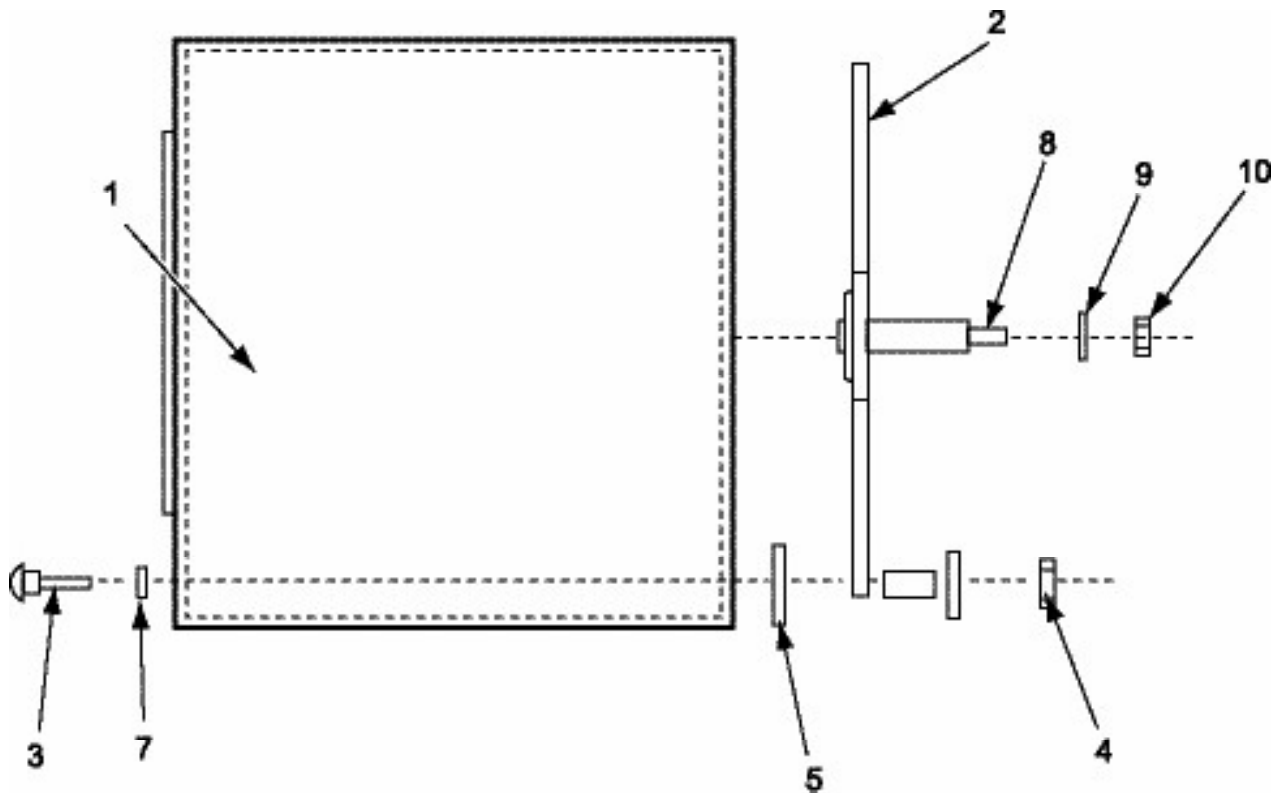
\* Not Illustrated



# Tumbler Basket Group

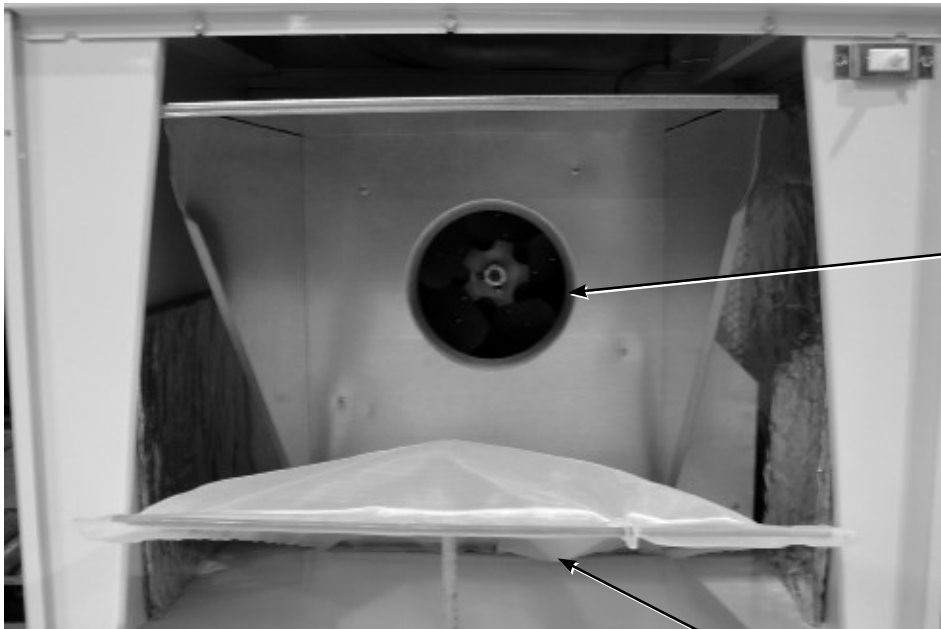
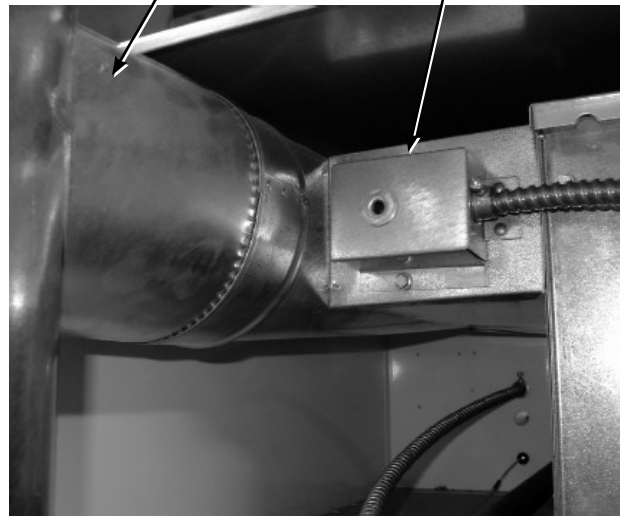
Key	Part Number	Description	
1	9848-101-001	Tumbler Assy .....	1
*	9848-128-002	SS Tumbler .....	1
2	9568-012-001	Spider & Shaft Assy .....	1
3	9497-019-001	Rod, Tumbler .....	3
4	8640-415-004	Nut, Tumbler Rod .....	3
5	9552-013-000	Shim .....	AR
7	8641-554-001	Washer, Tumbler Rod (special) .....	3
8	9306-006-000	Key, Tumbler Shaft .....	1
9	8641-582-015	Lock Washer, Tumbler Shaft .....	1
10	8640-222-000	Nut, Tumbler Shaft .....	1
*	9848-129-001	Tumbler w/ Spider .....	1

\* Not Illustrated





7 3 8 4

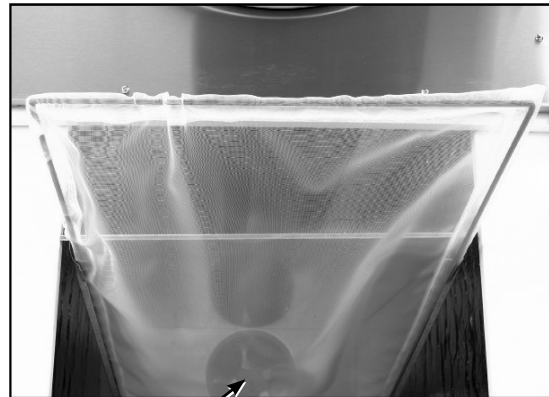


6

# Blower Impeller and Air Flow Switch Group Over Temperature Switch

Key	Part Number	Description	Quantity
•	9074-242-001	Cover Damper Switch.....	1
1	9125-001-001	Damper.....	1
•	9545-044-002	Screw Switch Mtg. ....	2
2	9539-432-001	Switch Damper .....	1
•	8640-411-003	Nut Switch Locking .....	1
•	8640-420-001	Nut Twin.....	1
3	9451-146-001	Pin Damper.....	1
4	9825-057-002	Over-tempcoverass'y.....	1
•	9576-207-006	Thermostatover-tempMnl.....	1
•	9545-045-008	Screw 10B x 3/8.....	2
•	9486-137-001	Retainer pushon .....	1
•	9535-050-003	Sleeve-Hi-Limitswitcaccess .....	1
5	9822-027-002	Hood Ass'y, Lint .....	1
•	8640-412-004	Lint Hood Mtg. ....	6
6	9822-026-001	Lint Screen.....	1
7	9278-037-002	Impeller, w/set screws.....	1
•	9545-028-013	Set Screw.....	2
8	9918-002-002	Recirculation Boot.....	1
*	9973-034-001	8" Slide Open Clean Out Duct (Optional).....	1

\* Not Illustrated



5

6

## Wire & Harness Group

Key	Part Number	Description	Qty
	9627-651-002	Harness, Control.....	1
	9627-679-002	Wire Harness, Temp Sensor.....	1
	8640-276-005	Nut, Wire connector 71B, BLK.....	2
	9627-650-001	Harness Assembly, Low Voltage.....	1
	9631-403-001	Wire Assy, High Voltage (From Ignition Control).....	1
	9054-045-001	Fuse Holder .....	1
	8636-018-001	Fuse, 1.5 Amp.....	1
	9897-032-002	Terminal Block, Rear Control Box.....	1
	8220-064-044	Wire Assy, BLK 58", Power Terminal Bolck to Block.....	1
	8220-064-041	Wire Assy, WHT 58 1/2", Power Terminal Block to Block .....	1
	8220-101-022	Wire Assy, WHT 62", Terminal Block to Motor .....	1
	8220-101-021	Wire Assy, RED 62", Terminal Block to Motor.....	1
	8220-057-034	Wire Assy, BLU 62", Terminal Block to Motor .....	1
	8220-064-046	Wire Assy, BRN 70", Terminal Block to Air Flow Switch .....	1
	8220-064-045	Wire Assy, ORG 67", Terminal Block to Air Flow Switch.....	1
	8220-064-042	Wire Assy, GRY 57", Terminal Block to Terminal Block .....	1
	8220-101-025	Wire Assy, GRY 25 1/2", Terminal Block to Over Temp Switch....	1
	8220-101-026	Wire Assy, ORG 27", Terminal Block to Over Temp Switch .....	1
	8220-101-024	Wire Assy, BRN 29 1/2", Terminal Block to High Limit Switch .....	1
	8220-101-027	Wire Assy, BLU 28", Terminal Block To High Limit Switch .....	1
	8220-064-043	Wire Assy, RED 78 1/2", Terminal Block To Control Board.....	1
	8220-001-225	Wire Assy, RED 9" Transformer to Fuse Holder .....	1
	8220-127-001	Wire Assy, Black 48" Terminal Block to Door Switch .....	1
	8220-127-002	Wire Assy, Blue 65" Terminal Block to Door Switch.....	1
	8653-039-000	Connector-Wire, Line 1/4" .....	1
	8711-002-001	Transformer, Control 120/24 VAC.....	1

## Label Group

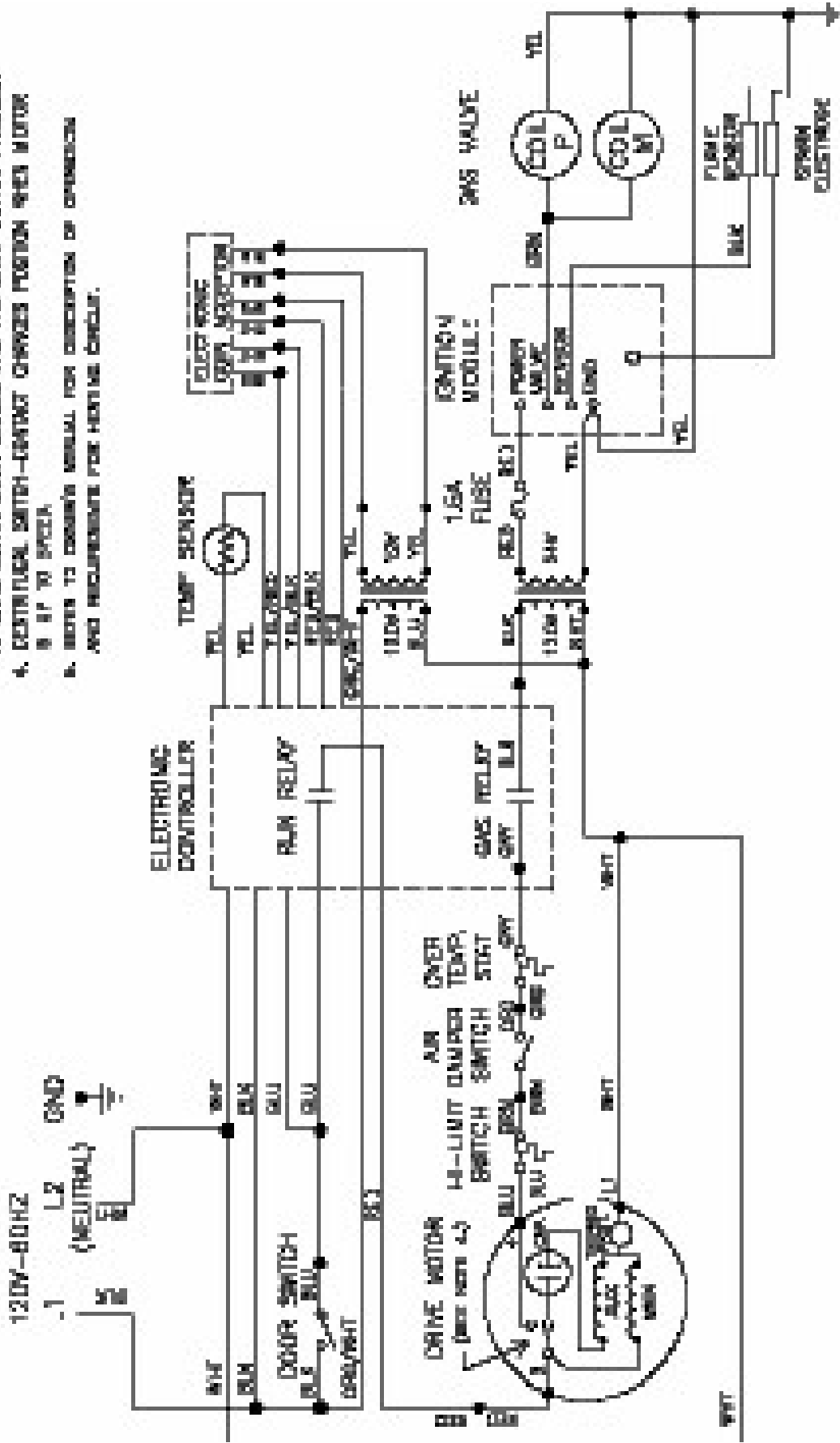
Key	Part Number	Description	Qty
	8507-256-001	Instructions, Uncrating.....	1
	8514-003-010	Owner's Booklet.....	1
	8507-350-001	Instructions, Dryer Install / Start Up.....	1
	8507-330-001	Instructions TVSS .....	1
	9506-047-002	Wiring Schematic.....	1
	9506-048-002	Wiring Diagram .....	1
	8511-001-002	Label, Quality.....	1
	8527-105-001	Label, Decal Lighting and Clearence.....	1
	8502-645-001	Label Instructions.....	1
	8502-600-001	Label, Waring and Notice .....	1
	8502-640-004	Label, Instructions.....	1

## Label With Electronic Coin Acceptor Parts

Key	Part Number	Description	Qty
	8220-001-338	Wire Assembly-6" BLU, Transformer to Terminal Block .....	1
	8502-725-001	LABEL-INSTRUCT/WARN,ELECTRICOIN.....	1
	8502-730-001	LABEL-WARNING,ELECCOINACCEPTOR .....	1
	8640-411-002	NUT-ELASTICSTOP,#6-32 .....	2
	8640-424-002	NUT-HEXELASTICSTOP,#4-40 .....	3
	8711-003-001	TRANSFORMER-120/12VAC .....	1
	9021-014-002	ACCEPTOR-COIN,ELECTRONIC(108).....	1
	9452-724-001	PLATE-MOUNTING,COMPUTERCONTROL .....	1
	9506-072-002	WIRINGLABEL-SCHEMATIC.....	1
	9506-073-002	WIRINGLABEL-DIAGRAM.....	1
	9531-040-002	STUD-SELFCLINCHING,#4-40X3/8.....	3
	9545-044-006	SCREW-PNHDCR,#6-32X5/16.....	2
	9627-651-003	WIRINGHARNESSELECTRONICCNTRL .....	1
	9982-334-002	PLATEASY-CONTROLSMNTNG(CMPTR).....	1



- NOTES**
1. GASEL BUTTITE-4-8-3-0-0-000 WITH 8-8-4 INSTALLED
  2. DOOR SWITCH-NO-CLOSED WITHIN DOOR IS CLOSED.
  3. MOTOR RUN RELAY CONTACT WILL CLOSE WITHIN THE COM COUNT IS SATISFIED.THE DOOR CLOSED AND THE START BUTTON PRESSED.
  4. DISTRIBUTION SWITCH-CONTACT CHANGES POSITION WHEN MOTOR IS UP TO SPEED.
  5. REFER TO DRAWING'S MANUAL FOR DESCRIPTION OF OPERATION AND REQUIREMENTS FOR HEATING CONTROL.



DCT\_30KC\_10CP

SCHEMATIC

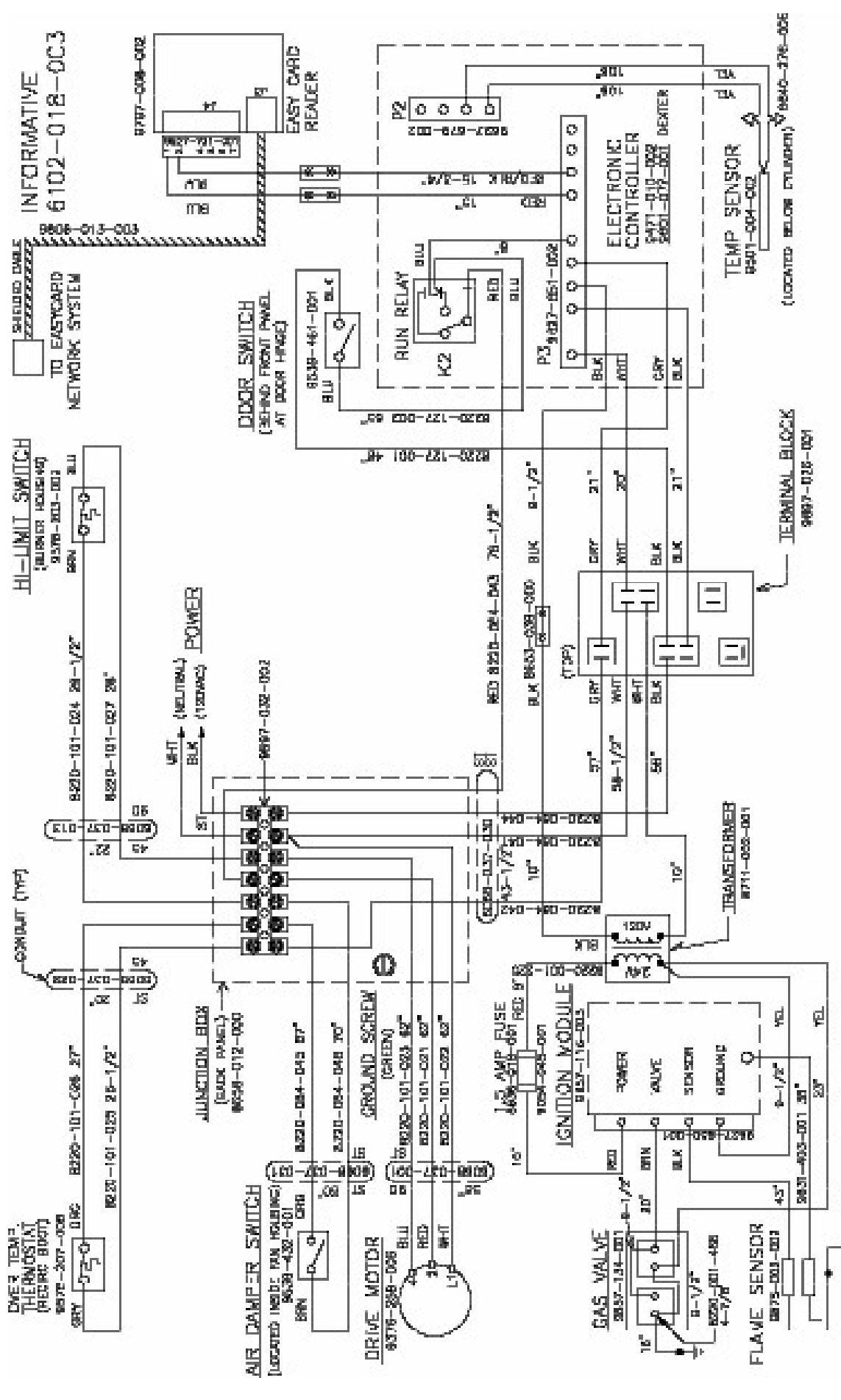
9506-072-002A





## EC Models (Intergrated EasyCard Ready Parts)

Key	Part Number	Description	Qty
	8502-728-001	LABEL-INSTRUCTIONS/WARNING,EC.....	1
	8640-412-005	NUT-HEXKEPS,#8-32.....	2
	8640-424-002	NUT-HEXELASTICSTOP,#4-40.....	3
	9982-335-002	PLATE-CONTROLSMTG,COMPUTER(EC).....	1
	9982-337-001	PLATE-READERMOUNTING(ECREADY).....	1
	9454-569-021	Front Panel, Almond - EC.....	1
	9454-569-019	Front Panel, White - EC.....	1
	9454-569-020	PANEL-FRONT,STAINLESSSTEEL.....	1
	9506-144-002	WIRINGLABEL-SCHEMATIC.....	1
	9506-145-002	WIRINGLABEL-DIAGRAM.....	1
	9545-008-026	SCREW-HXWSHRHDUNDCT,#10BX1/2.....	2
	9627-731-001	HARNESS-KIT,DEXTER.....	1
	9797-006-003	CARDREADERASY-DEXTER,STANDARD.....	1
	9806-013-003	CABLEASY-4TWISTPR,20'SHLD/UNSH.....	1

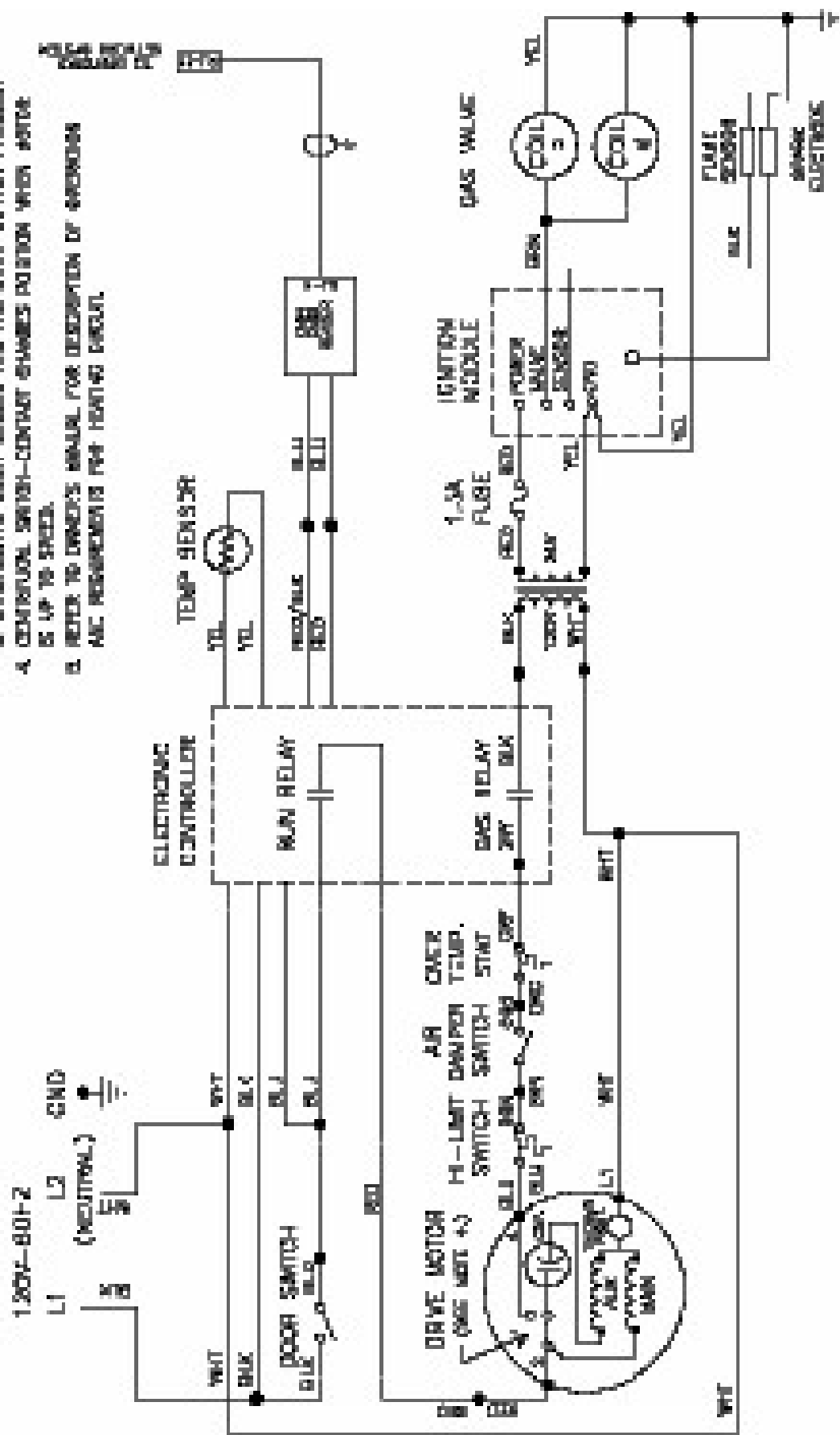


SPARK ELECTRODE 9506-145-002

WIRING DIAGRAM

30CT\_30KC\_10EC 60HZ

- NOTES:**
1. COIL SWITCH—NO-CLOSED WHEN COIL ENERGIZED.
  2. DOOR SWITCH—NO-CLOSED WHEN DOOR IS CLOSED.
  3. MOTOR RUN RELAY CONTACT WILL CLOSE WHEN THE COIL CONTACT IS SATISFACTORY DOOR CLOSED AND THE START BUTTON PRESSED.
  4. CENTRALUAL SWITCH—CONTACT CHANGES POSITION WHEN MOTOR IS UP TO SPEED.
  5. REFER TO OWNER'S MANUAL FOR DESCRIPTION OF OPERATIONAL REQUIREMENTS FOR HEATING CIRCUIT.



DCT\_30K0\_10EC

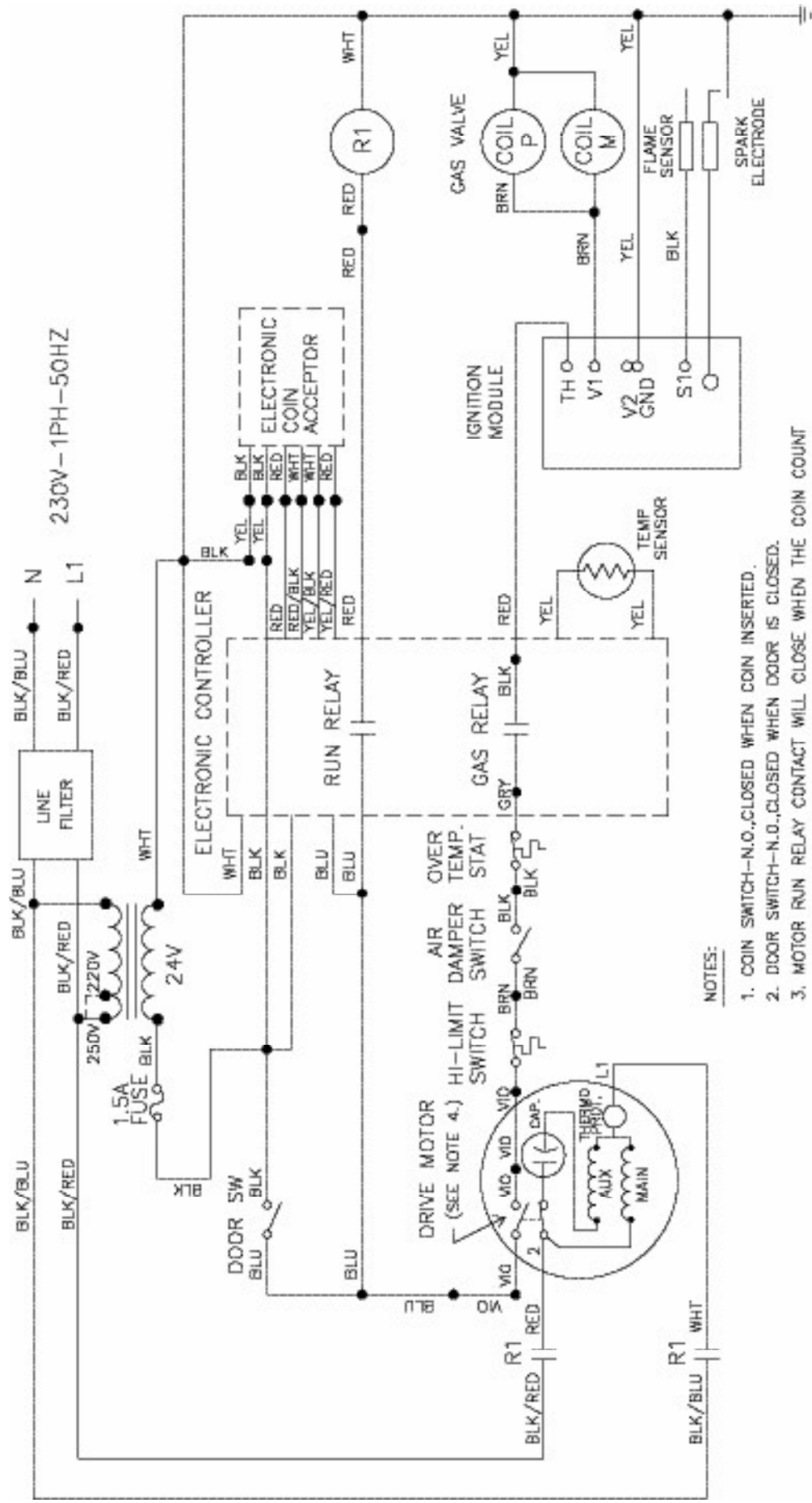
SCHEMATIC

8533-144-002

## EC Models (Intergrated EasyCard Ready Parts)

Key	Part Number	Description	Qty
	5192-286-015	Relay .....	1
	8220-001-198	Wireasy- Wht, 46 1/2" .....	1
	8220-001-199	Wireasy- Wht, 53 1/2" .....	1
	8220-001-200	Wireasy- Red, 53 1/2" .....	1
	8220-001-219	Wireasy- Blk, 56" .....	1
	8220-001-220	Wireasy- Red, 56" .....	1
	8220-001-227	Wireasy- Blk, 25 1/2" .....	1
	8220-001-230	Wireasy- Blk/Red, 8 1/2" .....	1
	8220-001-231	Wireasy- Blk/Blu .....	1
	8220-001-282	Wireasy- Red, 20" .....	1
	8220-001-290	Wireasy- Blk .....	1
	8220-001-412	Wireasy- Blu, 20" .....	1
	8220-001-462	Wireasy- Vio, 58" .....	2
	8220-001-478	Wireasy- Grn, 7" .....	1
	8220-001-479	Wireasy- Blu, 45" .....	1
	8220-001-480	Wireasy- Blk, 45" .....	1
	8220-001-530	Wireasy- Blk, 67" .....	1
	8220-001-531	Wireasy- Wht, 12"-4" .....	1
	8220-034-001	Wireasy-Brn,67" .....	1
	8220-034-002	Wireasy-Blu,461/2" .....	1
	8220-062-002	Wireasy- Blk, 11" .....	2
	8220-063-004	Wireasy- Blk, 48" .....	1
	8220-065-006	Wireasy- Blk/Red, 11" .....	1
	8220-065-007	Wireasy- Blk/Blu, 11" .....	1
	8220-068-002	Wireasy- Blk/Red, 7" .....	1
	8220-068-003	Wireasy- Blk/Blu, 5" .....	1
	8220-088-001	Wireasy- Wht, 8" .....	1
	8220-088-002	Wireasy- Blk, 5" .....	1
	8220-088-003	Wireasy- Red, 8" .....	2
	8220-097-001	Wireasy- JUmper, Brn .....	1
	8220-098-003	Wireasy- Jumper, Yel .....	1
	8220-101-001	Wireasy- Gry,251/2" .....	1
	8220-101-014	Wireasy- Vio,42" .....	1
	8220-101-016	Wireasy- Brn,411/2" .....	1
	8507-230-003	Instructions-Transform Connect .....	1
	8507-349-001	Instruction-Switches, Electacpt .....	1
	8514-003-012	Booklet-Owners 30# Dryers 9/07 .....	1
	8615-104-040	Reducer-1/2x3/4 .....	1
	8640-276-003	Nut-Wireconn, #73b, Org .....	10
	8640-424-002	Nut-Hexelasticstop, #4-40 .....	3
	8711-008-002	Transformer-Control .....	1
	9000-043-001	Adapter-3/4usto3/4iso .....	1
	9021-015-002	Acceptor-CoiN, Electronic (109) .....	1
	9029-091-001	Bracket-Control Box .....	1
	9074-263-002	Cover-Ignition Control Box .....	1
	9183-030-001	Filter-Line,Emi .....	1
	9208-039-001	Guard-Drive .....	1
	9248-022-002	Hook-Stype .....	1
	9376-259-008	Motor-Dryer,A.O.Smith (30#) .....	1
	9381-009-005	Manifold Assembly-(2) Port .....	1
	9452-671-001	Plate-Bracket Extender .....	1
	9452-724-001	Plate-Mounting,Computer Control .....	1
	9453-169-009	Pulley-Drive, Machined .....	1
	9454-696-001	Panel-Shield, Motor, Lh .....	1

9454-697-001	Panel-Shield ,Motor, Rh .....	1
9471-011-002	Printed Circuit BOard Assembly .....	1
9506-204-001	Wiring Label- Schematic .....	1
9506-204-002	Wiring Label- Schematic .....	1
9506-205-001	Wiring Label-Diagram.....	1
9506-205-002	Wiring Label-Diagram.....	1
9539-461-007	Switch-Micro.....	1
9545-008-027	Screw-Hxwsrhdsitd, #10-32 Ttx 1/2 .....	1
9627-651-003	Wiring Harness- Electronic Cntrl .....	1
9631-382-002	Wireasy-Gry, 45 1/2" .....	1
9631-403-005	Wireasy-High Voltage.....	1
9732-162-001	Kit-Honeywellvr 86 Valve Flange.....	2
9791-001-002	Adapter Assembly- Gas Inlet.....	1
9804-021-001	Shield Assembly- Motor.....	1
9807-080-001	Box Assembly- Control.....	1
9857-132-004	Control Assembly- Gas.....	1
9857-140-001	Control Assembly- Fenwal.....	1
9857-166-001	Control Assembly .....	1
9897-036-001	Terminal Block Assembly- Power .....	1
9982-334-002	Plate Assembly - Controls Mntng(Cmptr).....	1



DCT\_30KC\_59CR

SCHEMATIC

9506-204-002A

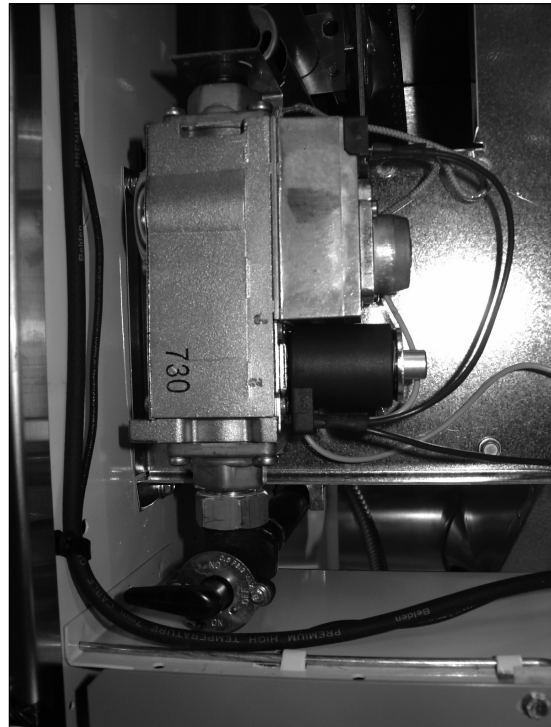
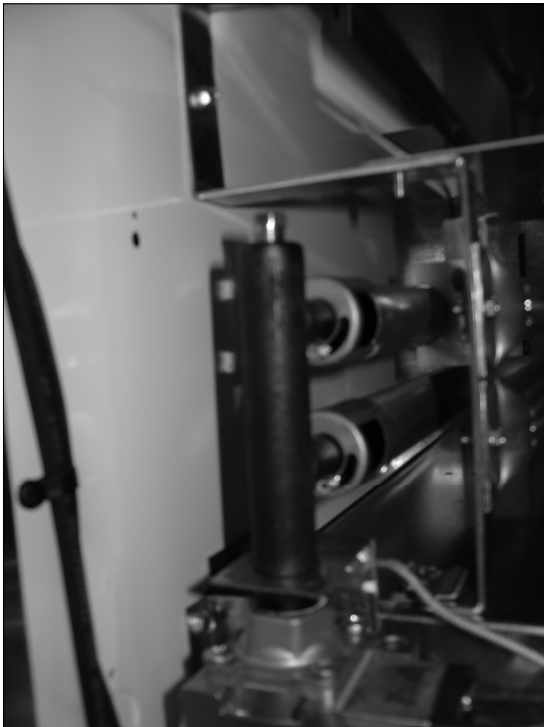
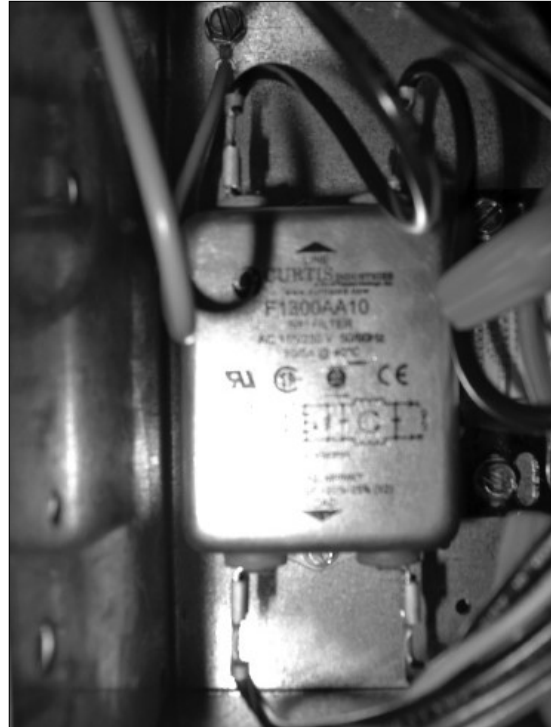


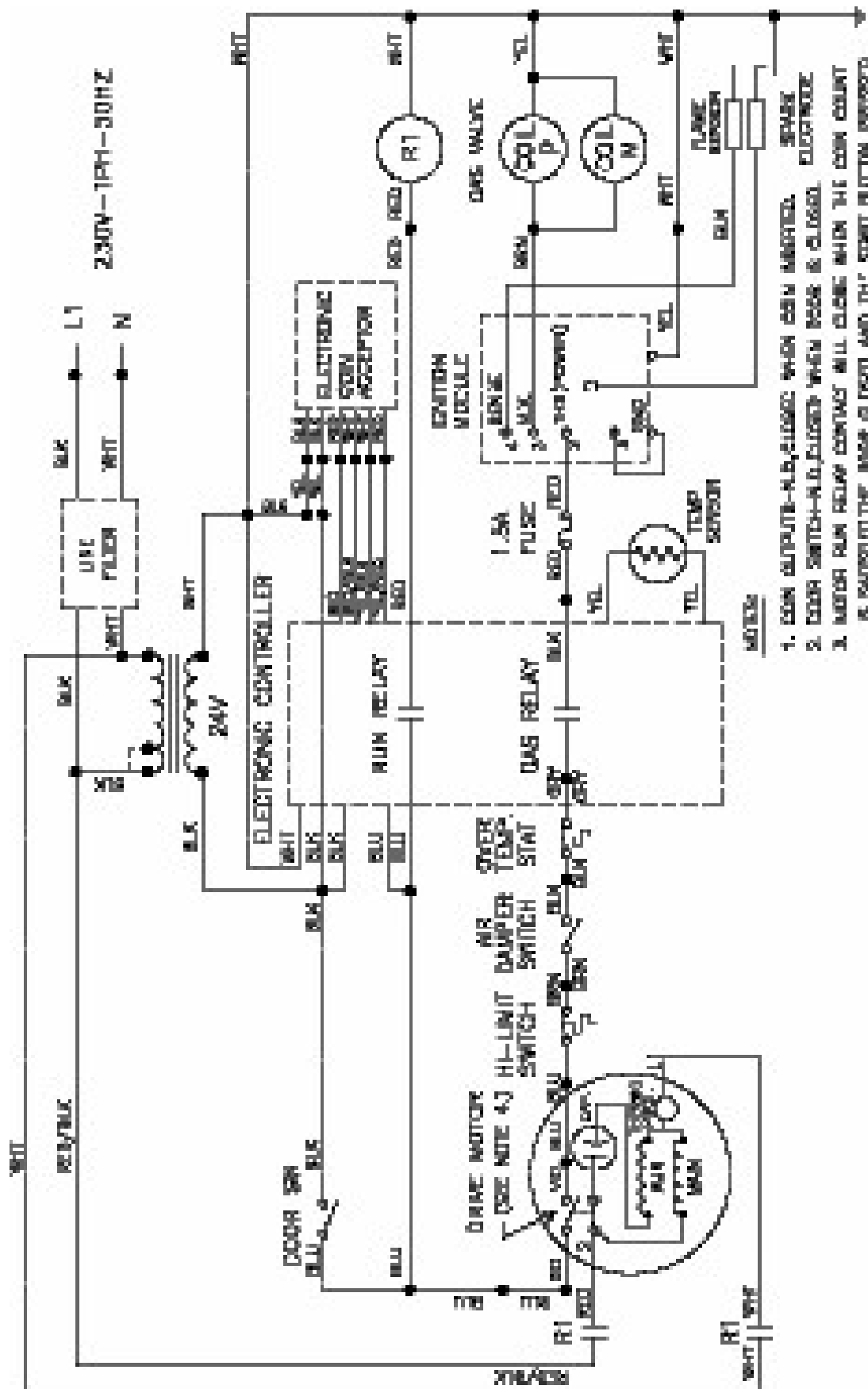


## 21CR Gas Heated Parts

Key	Part Number	Description	Qty
	5192-288-001	Relay .....	1
	8502-698-001	Label-Aussie warning .....	1
	8502-699-001	LabelL-Aust gas approval badge .....	1
	8502-725-001	Label-Instruct/Warn,Electr coin .....	1
	8502-730-001	Label-Warning,Elec coin acceptor.....	1
	8507-230-003	Instructions-Transform connect.....	1
	8507-298-001	Instructions-Aussie addendum .....	1
	8640-276-003	Nut-Wireconn,#73b,Org .....	13
	8711-008-002	Transformer-Control .....	1
	9021-015-002	Acceptor-Coin, Electronic(109) .....	1
	9074-263-001	Cover-Ignition control box .....	1
	9183-030-001	Filter-Line, Emi .....	1
	9208-039-001	Guard-Drive.....	1
	9248-022-002	Hook-Stype.....	1
	9376-259-008	Motor-Dryer,A.O.Smith(30#).....	1
	9381-009-005	Manifold assembly-(2)Port .....	1
	9435-016-001	Overlay-Trim, Lwr serv door,30# .....	1
	9452-671-001	Plate-Bracket extender.....	1
	9452-724-001	Plate-Mounting,Computer control.....	1
	9453-169-009	Pulley-Drive, Machined .....	1
	9454-644-001	Panel-Control box, Top.....	2
	9454-696-001	Panel-Shield, Motor, Lh .....	1
	9454-697-001	Panel-Shield, Motor, Rh .....	1
	9456-041-006	Plug-Plastic,7/8" .....	7
	9471-011-002	Printed circuit board assembly .....	1
	9506-074-002	Wiringlabel-Schematic.....	1
	9506-075-002	Wiringlabel-Diagram.....	1
	9578-087-001	Trim-Door, Lower service .....	1
	9627-651-003	Wiring harness-Electronic control.....	1
	9631-381-018	Wire assembly-Red,7" .....	1
	9631-382-002	Wire assembly-Gry,451/2" .....	1
	9732-162-001	Kit-Honey wellvr 86 valve flange .....	2
	9804-021-001	Shield assembly-Motor.....	1
	9807-080-001	Box asy- Control.....	1
	9857-129-001	Controls asy-Ignition, Johnson .....	1
	9857-131-001	Control asy .....	1
	9857-132-004	Control assembly-Gas.....	1
	9982-334-001	Plateasy-Controls mntng(Cmptr).....	1
	9982-334-002	Plateasy-Controls mntng(Cmptr).....	1
	8220-001-198	Wire assembly-Wht,461/2" .....	1
	8220-001-199	Wire assembly-Wht,531/2" .....	1
	8220-001-200	Wire assembly-Red,531/2" .....	1
	8220-001-219	Wire assembly-Blk,56" .....	1
	8220-001-220	Wire assembly-Red,56" .....	1
	8220-001-221	Wire assembly-Blk,45" .....	1
	8220-001-222	Wire assembly-Blu,45" .....	1
	8220-001-227	Wire assembly-Blk,251/2" .....	1
	8220-001-282	Wire assembly-Red,20" .....	1
	8220-001-332	Wire assembly-Blk.....	1
	8220-001-333	Wire assembly-Wht .....	1
	8220-001-411	Wire assembly-Red,9".....	2
	8220-001-412	Wire assembly-Blu,20" .....	1
	8220-001-530	Wire assembly-Blk,67" .....	1
	8220-034-001	Wire assembly-Brn,67" .....	1
	8220-034-002	Wire assembly-Blu,461/2" .....	1
	8220-057-020	Wire assembly-Blu,54" .....	2
	8220-062-002	Wire assembly-Blk,11" .....	2

8220-062-024	Wire assembly-Wht,19" .....	1
8220-063-004	Wire assembly-Blk,48" .....	1
8220-064-025	Wire assembly-Wht,9" .....	2
8220-088-013	Wire assembly-Blk,6" .....	1
8220-090-002	Wire assembly-Jumper,Brn .....	1
8220-098-001	Wire assembly-Jumper,Yel .....	1
8220-100-002	Wire assembly-Jumper.....	1
8220-101-001	Wire assembly-Gry,251/2" .....	1
8220-101-003	Wire assembly-Blu,411/2" .....	1
8220-101-016	Wire assembly-Brn,411/2" .....	1
8220-107-001	Wire assembly-Jumper,Wht .....	2





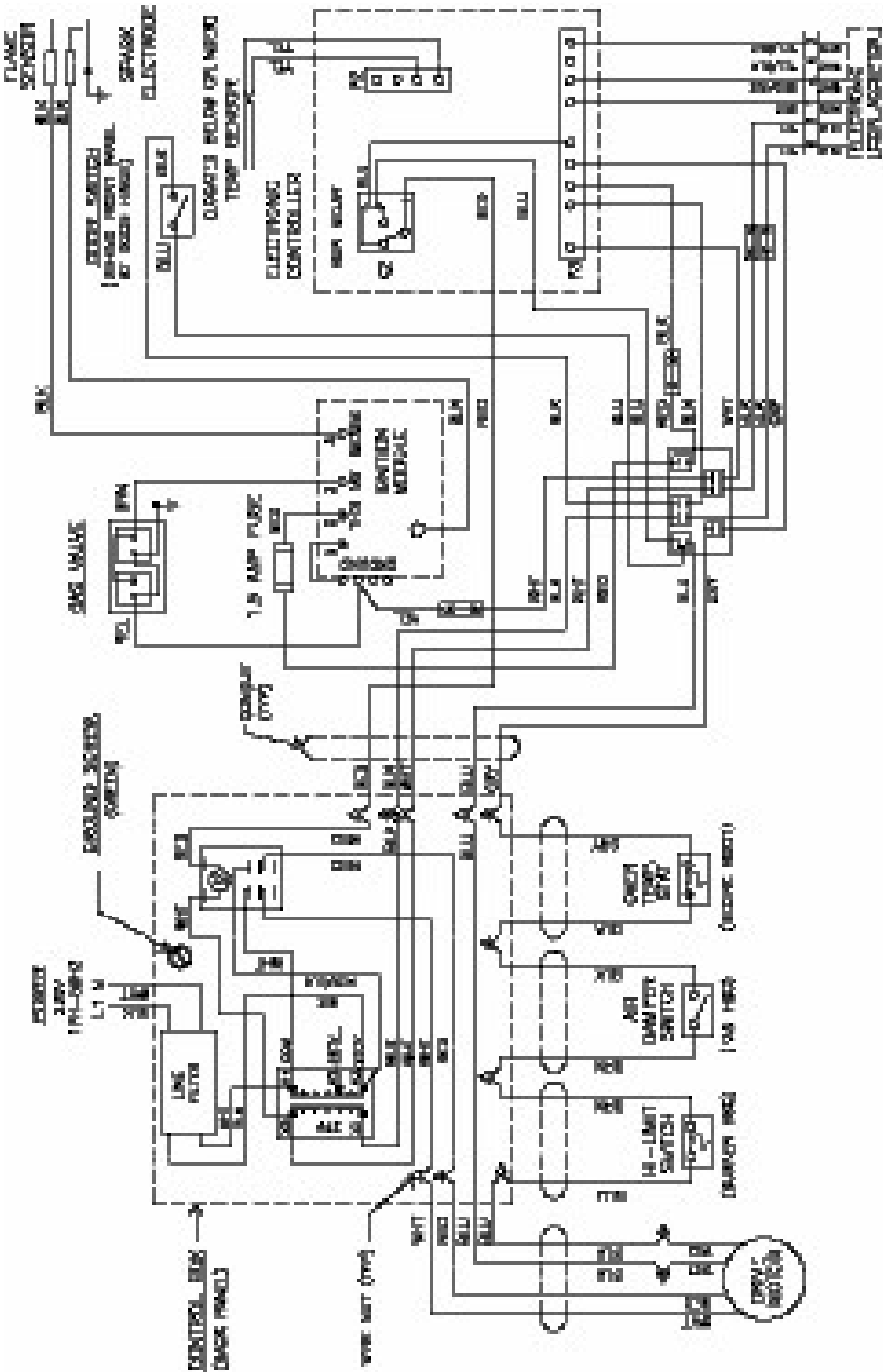
**NOTES**

1. COIL OUTPUT-ALSO CLOSED WHEN COIL ARMATURE.
2. COIL SWITCH-ALSO CLOSED WHEN PRESS & CLOSED.
3. MOTOR RUN RELAY CONTACTS WILL CLOSE WHEN THE COIL COUNT.
4. CENTRAL SWITCH-CONTACTS CHANGE POSITION WHEN MOTOR IS UP TO SPEED.
5. REFER TO GENERAL MANUAL FOR DESCRIPTION OF OPERATION AND REQUIREMENTS FOR HOISTING CRANE.

**SCHEMATIC**

8506-074-002

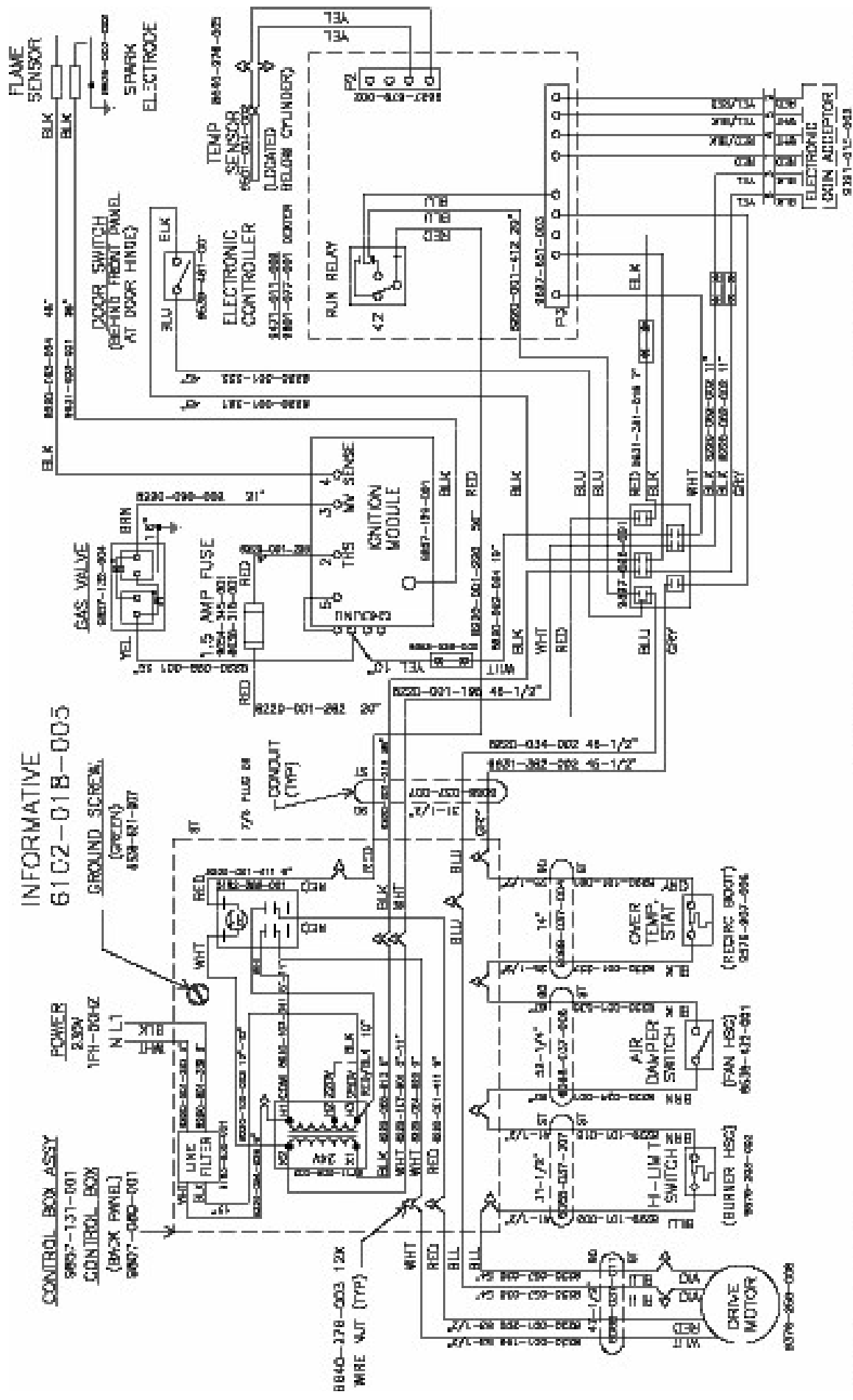
DCT\_30MC\_21CR



WIRING DIAGRAM

9500-075-002

FACT\_30MC\_21DR



INFORMATIVE  
61C2-01B-005

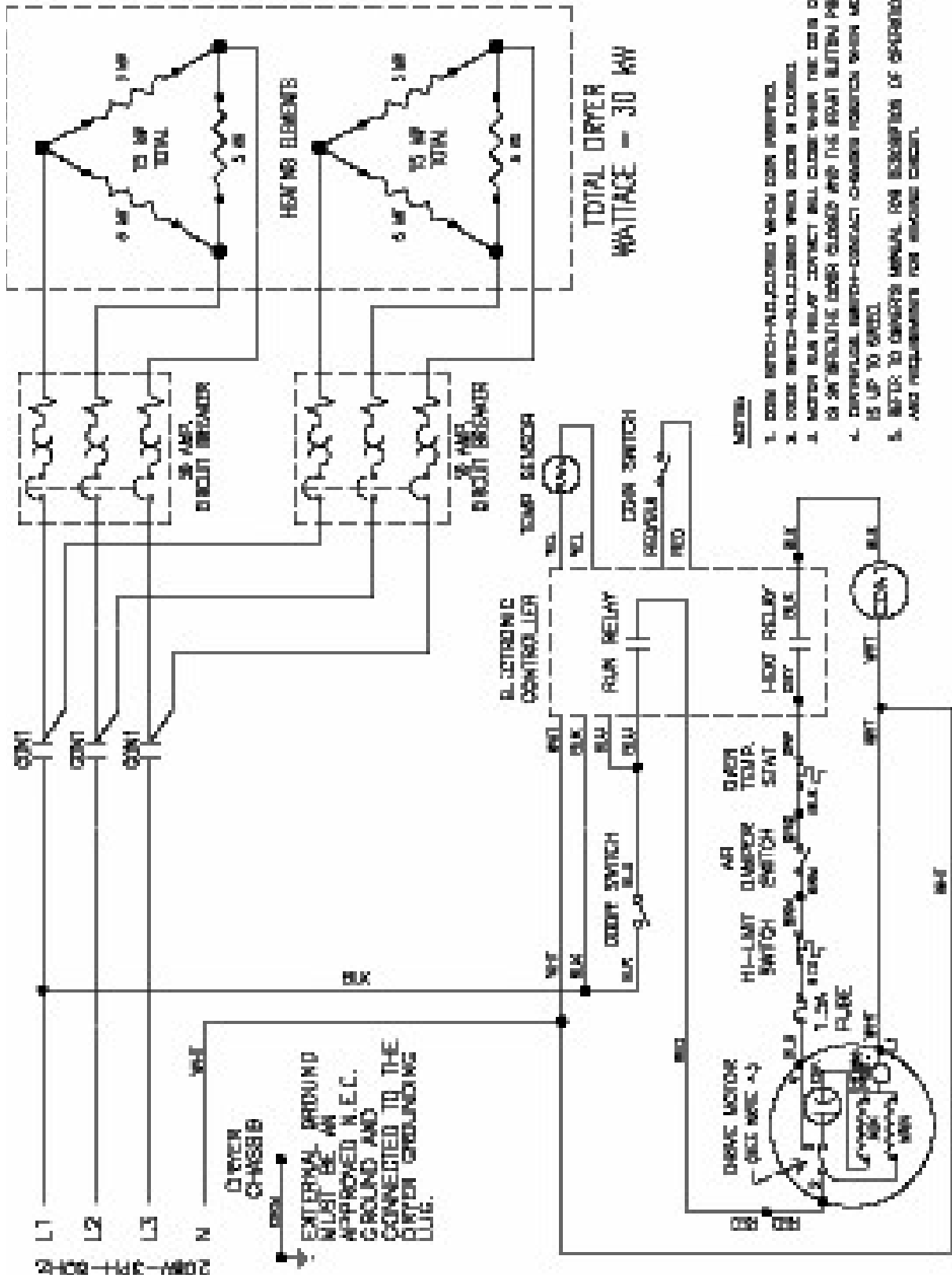
DCT\_30KC\_21CR\_50HZ\_AL

WIRING DIAGRAM

9506-075-002

# 16FE Electric Heated Parts List

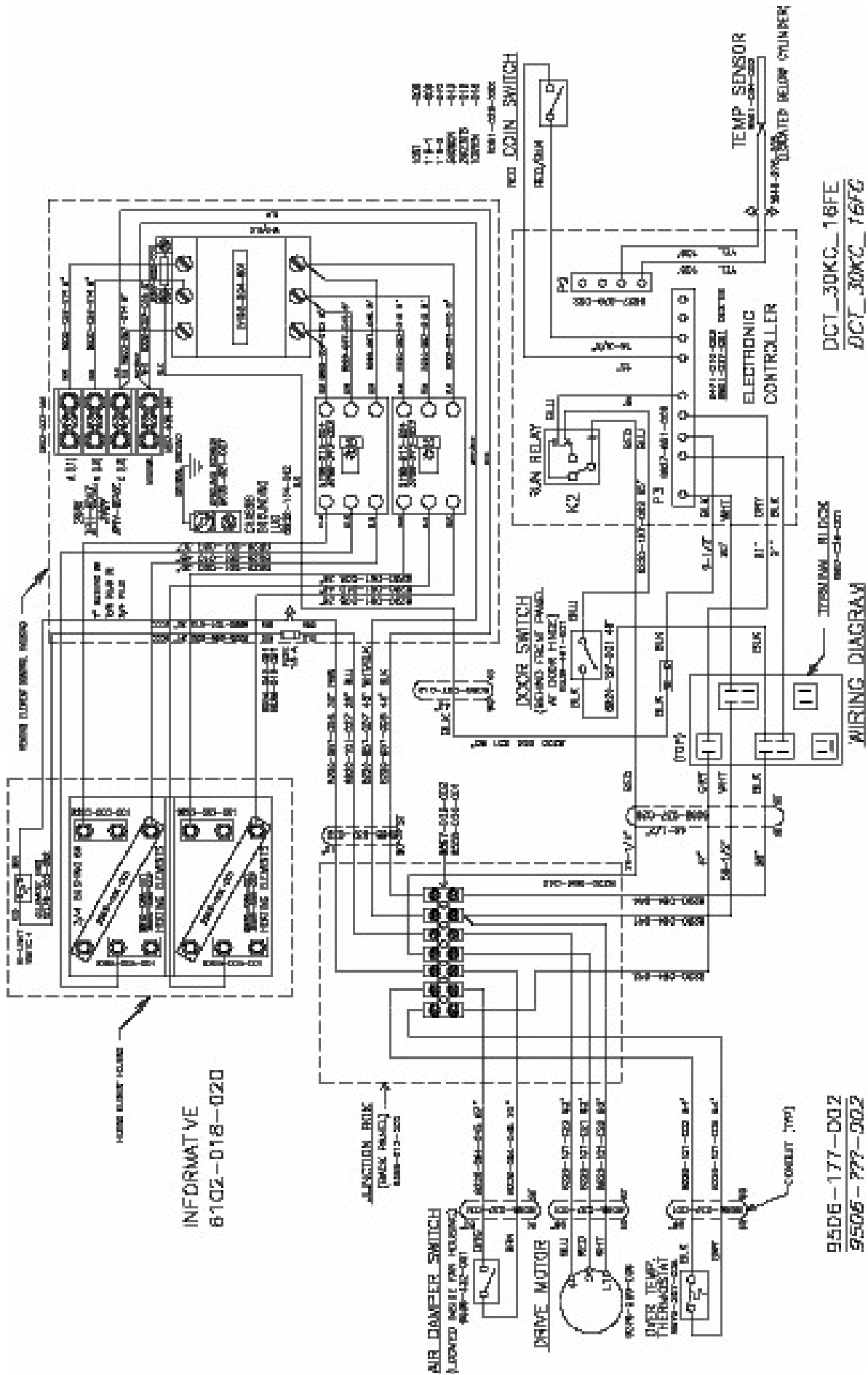
Key	Part Number	Description	Qty
	5192-294-001	Relay-125 amp (Resistive) Contact.....	1
	5198-213-004	Circuit breaker-3 pole .....	2
	8220-057-004	Wire assembly-Brn,30".....	1
	8220-057-007	Wire assembly-Wht/Blk,45".....	1
	8220-057-008	Wire assembly-Blk,45".....	1
	8220-057-014	Wire assembly-Blk,8".....	3
	8220-057-015	Wire assembly-Blk,8".....	6
	8220-057-019	Wire assembly-Wht,8".....	1
	8220-061-008	Wire assembly-Blk,36".....	4
	8220-061-010	Wire assembly-Blk,48".....	2
	8220-064-021	Wire assembly-Blk/Wht,90".....	1
	8220-095-025	Wire assembly-Red,31".....	1
	8220-101-002	Wire assembly-Blk,64".....	1
	8220-101-005	Wire assembly-Gry,64".....	1
	8220-101-015	Wire assembly-Brn,30".....	1
	8502-614-004	Label-Warning,High voltage.....	1
	8502-639-001	Label-Warning.....	1
	8502-658-001	Label-Warning,Fire hazard.....	1
	8502-702-001	Label-Warn,Fire hazard (French).....	1
	8502-708-001	Label-Exhaust warning.....	1
	8502-711-001	Label-Warning for 208v.....	1
	8514-106-001	Booklet-Owners, 30# Htd Dryer.....	1
	8639-621-007	Screw-Hx wshr hd,#10-32x1/2,Grn.....	1
	8640-276-003	Nut-Wire conn,#73b,Org.....	1
	8652-134-002	Terminal-Lug, Solderless.....	1
	8653-068-004	Connector-Conduit, 90 degree.....	5
	8653-068-006	Connector-Conduit, 3/8", 45.....	1
	9029-127-001	Bracket-Guard mounting.....	1
	9058-025-001	Bottom-Box, Control.....	1
	9074-288-001	Cover-Plate, Heater.....	1
	9074-289-001	Cover-Box, Control.....	1
	9074-290-001	Cover-Housing, Overtemp thermo.....	1
	9109-108-001	Duct-Thermostat,Over temp.....	1
	9142-039-001	Elbow-90 degree ajd,8".....	2
	9208-053-001	Guard-Front,Cabinet cover.....	1
	9208-058-001	Guard-Rear,Right hand (Cover).....	1
	9208-059-001	Guard-Rear,Left hand (Cover).....	1
	9241-187-001	Housing-Thermostat, Overtemp.....	1
	9295-004-001	Jumper-Formed.....	2
	9295-005-001	Jumper-Straight.....	4
	9377-003-001	Varistor-Coil suppressor.....	1
	9488-010-001	Rail-Din.....	0.396
	9488-010-003	Rail-Din, 43/4".....	1
	9506-176-002	Wiring label-Schematic.....	1
	9506-177-002	Wiring label-Diagram.....	1
	9548-282-001	Support-Wire.....	2
	9870-088-001	Heater-Electric elem, 15kw, 208v.....	2
	9897-037-001	Block-Power, 3 pole.....	1
	9897-038-001	Block-Power, 1 pole.....	1



DXT\_30KDC\_168FE

SCHEMATIC

8006-176-302



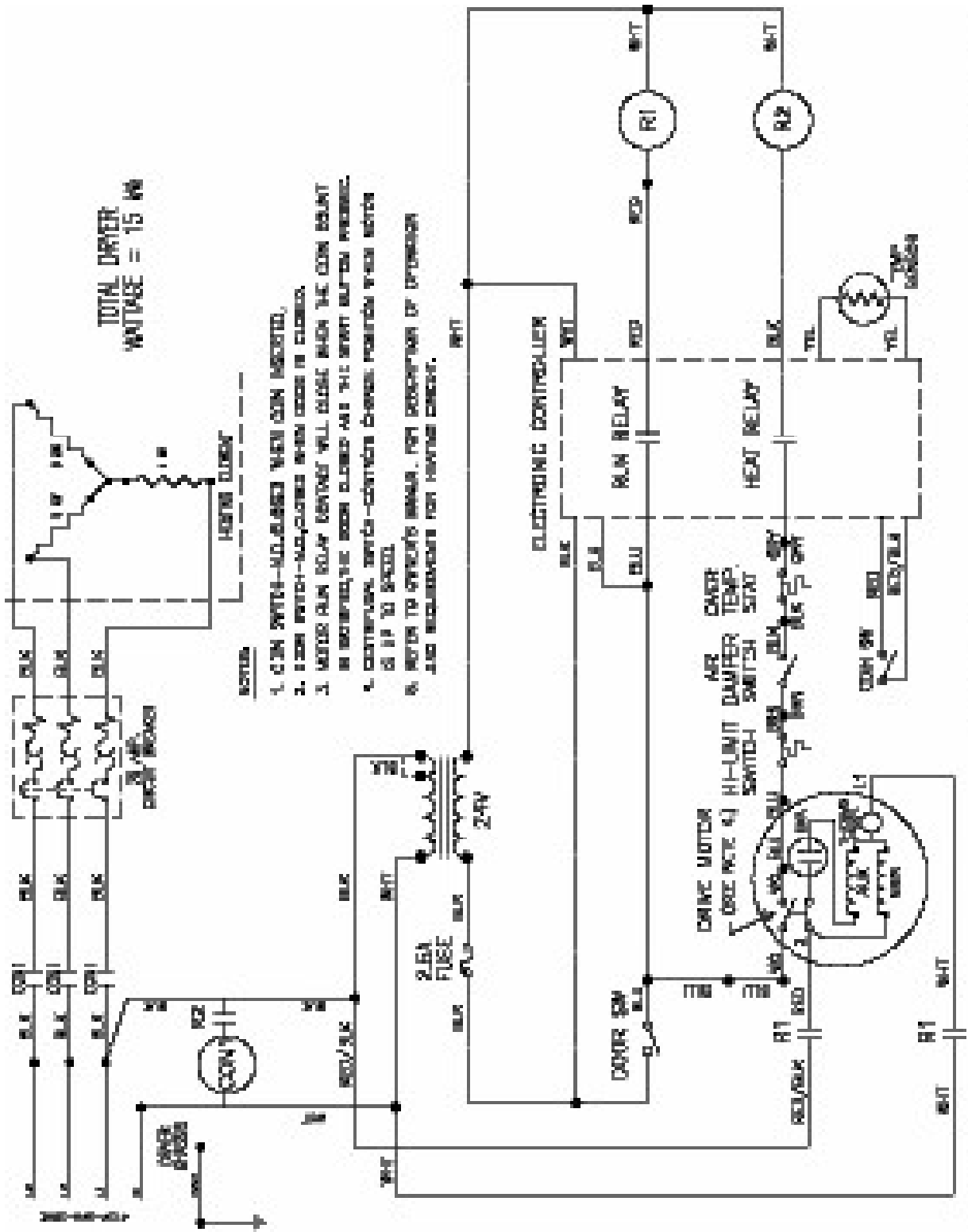
9506-177-002  
9506-777-002



## 66 FW Electric Heated Parts List

Key	Part Number	Description	Qty
	5192-285-004	Relay .....	1
	5192-288-001	Relay .....	1
	5192-290-002	Relay-Heaters,40amp(240vac) .....	1
	5198-215-002	Circuitbreaker-3pole,415v .....	1
	8220-001-199	Wireasy-Wht,531/2" .....	1
	8220-001-200	Wireasy-Red,531/2" .....	1
	8220-001-221	Wireasy-Blk,45" .....	1
	8220-001-222	Wireasy-Blu,45" .....	1
	8220-001-290	Wireasy-Blk .....	1
	8220-001-411	Wireasy-Red,9" .....	2
	8220-001-412	Wireasy-Blu,20" .....	1
	8220-001-530	Wireasy-Blk,67" .....	1
	8220-034-001	Wireasy-Brn,67" .....	1
	8220-034-002	Wireasy-Blu,461/2" .....	1
	8220-057-004	Wireasy-Brn,30" .....	1
	8220-057-007	Wireasy-Wht/Blk,45" .....	1
	8220-057-008	Wireasy-Blk,45" .....	1
	8220-057-011	Wireasy-Vio,32" .....	1
	8220-057-015	Wireasy-Blk,8" .....	3
	8220-057-019	Wireasy-Wht,8" .....	1
	8220-057-020	Wireasy-Blu,54" .....	2
	8220-057-030	Wireasy-Blk,17" .....	3
	8220-061-008	Wireasy-Blk,36" .....	3
	8220-064-025	Wireasy-Wht,9" .....	1
	8220-064-051	Wireasy-Red/Blk,62" .....	1
	8220-078-008	Wireasy-Blk,9" .....	2
	8220-078-011	Wireasy-Wht,45" .....	1
	8220-078-012	Wireasy-Red,45" .....	1
	8220-088-013	Wireasy-Blk,6" .....	1
	8220-101-002	Wireasy-Blk,64" .....	1
	8220-101-005	Wireasy-Gry,64" .....	1
	8220-101-014	Wireasy-Vio,42" .....	1
	8220-101-015	Wireasy-Brn,30" .....	1
	8220-107-001	Wireasy-Jumper,Wht .....	2
	8220-107-002	Wireasy-Jumper,Blk .....	1
	8502-614-004	Label-Warning,Highvoltage .....	1
	8502-639-001	Label-Warning .....	1
	8502-658-001	Label-Warning,Firehazard .....	1
	8502-698-001	Label-Aussiewarning .....	1
	8502-708-001	Label-Exhaustwarning .....	1
	8507-230-003	Instructions-Transformconnect .....	1
	8507-298-001	Instructions-Aussieaddendum .....	1
	8636-018-004	Fuse-2.5a .....	1
	8652-134-002	Terminal-Lug,Solderless .....	1
	8653-039-000	Connector-WiRe,Inline,1/4" .....	1
	8711-008-002	Transformer-Control .....	1
	9021-002-015	Acceptor-Coin,Complete .....	1
	9029-127-001	Bracket-Guardmounting .....	1
	9058-025-001	Bottom-Box,Control .....	1
	9074-263-001	Cover-Ignitioncontrolbox .....	1
	9074-288-001	Cover-Plate,Heater .....	1
	9074-289-001	Cover-Box,Control .....	1
	9074-290-001	Cover-Housing,Overttempthermo .....	1
	9109-108-001	Duct-Thermostat,Overtemp .....	1
	9142-039-001	Elbow-90 degree, 8" .....	2

9208-039-001	Guard-Drive.....	1
9208-053-001	Guard-Front,Cabinetcover.....	1
9208-058-001	Guard-Rear,Righthand(Cover).....	1
9208-059-001	Guard-Rear,Lefthand(Cover).....	1
9210-117-001	Gusset-Box,Control.....	1
9241-187-001	Housing-Thermostat,Overtemp.....	1
9248-022-002	Hook-Stype.....	1
9295-006-001	Jumper-Straight,3hole.....	1
9376-259-008	Motor-Dryer,A.O.Smith(30#).....	1
9377-003-002	Varistor-Coilsuppressor.....	1
9435-016-001	Overlay-Trim,Lwrservdoor,30#.....	1
9452-668-003	Plate-Controls,Mounting(Cmptr).....	1
9452-741-001	Plate-Replacement,Heater.....	1
9453-169-001	Pulley-Drive-Casting-Manual.....	1
9453-169-009	Pulley-Drive,Machined.....	1
9454-644-001	Panel-ControlbOx,Top.....	2
9454-696-001	Panel-Shield,Motor,Lh.....	1
9454-697-001	Panel-Shield,Motor,Rh.....	1
9456-041-006	Plug-Plastic,7/8".....	9
9471-011-002	Printedcircuitboardassembly.....	1
9488-010-001	Rail-Din.....	0.396
9488-010-003	Rail-Din,43/4".....	1
9506-206-001	Wiringlabel-Schematic.....	1
9506-206-002	Wiringlabel-Schematic.....	1
9506-207-001	Wiringlabel-Diagram.....	1
9506-207-002	Wiringlabel-Diagram.....	1
9544-041-002	Strap-Beadedtie.....	1
9548-282-001	Support-Wire.....	1
9578-087-001	Trim-Door,Lowerservice.....	1
9804-021-001	Shieldassembly-Motor.....	1
9857-163-001	Controlasy.....	1
9870-088-002	Heater-Electricelem,15kw,240v.....	1
9897-037-001	Block-Power,3pole.....	1
9897-038-001	Block-Power,1pole.....	1
9982-305-005	Plateasy-Controls,Mntg(Cmptr).....	1
9982-305-006	Plateasy-Controls,Mntg(Cmptr).....	1



DCIT\_30 RD\_-8 07'8

SCHEMATIC

50106-2836-0012

