

Section 6

Parts Data

Thoroughbred 600

Accessories

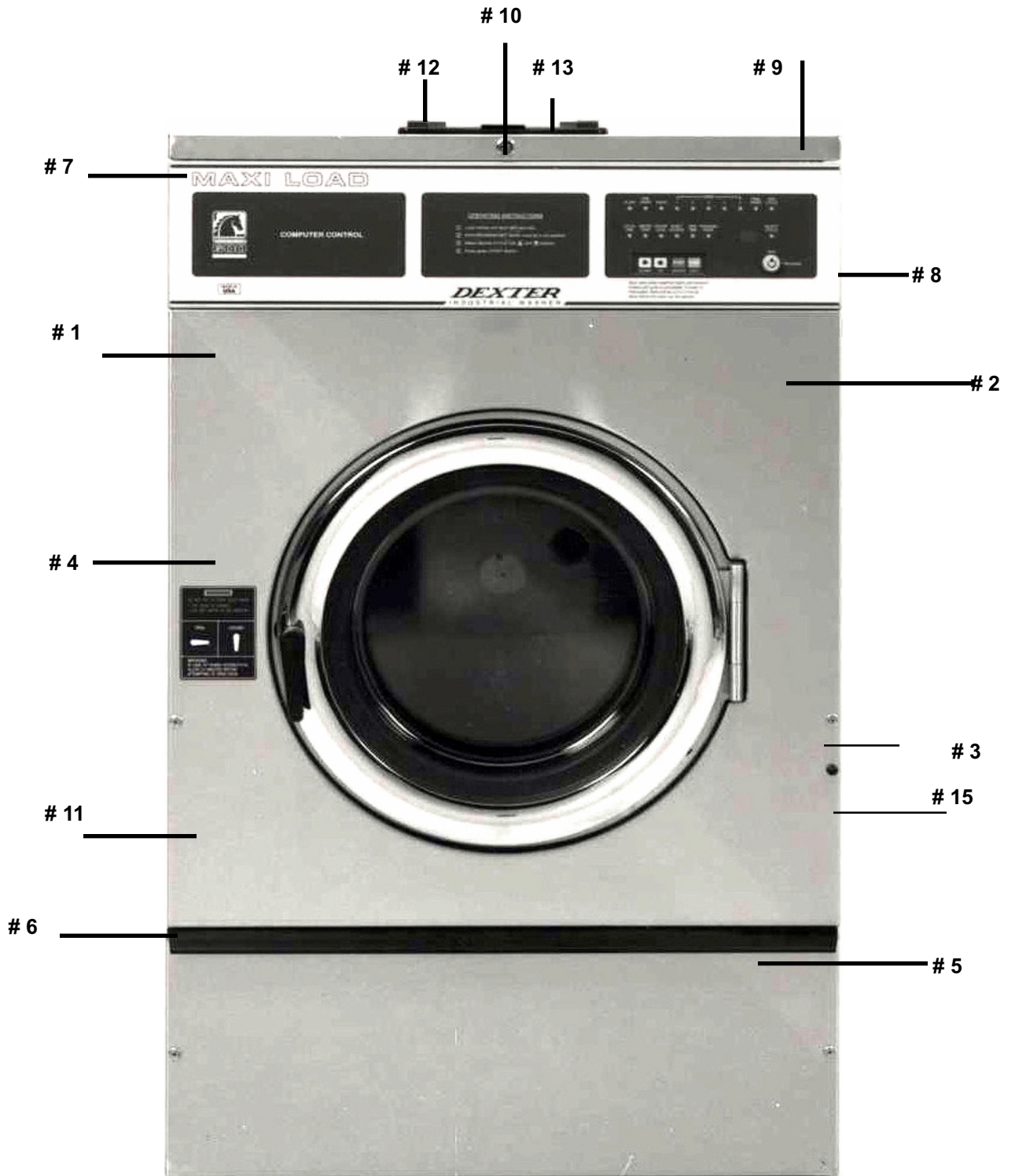
Model **WCN40AFH** **208-240** **volts** **60hz.** **Single or Three Phase**
Computer Industrial Washer

Part Number	Description
9990-027-011	Hose, Water Supply 3/8" I.D. x 48"
9990-027-013	Hose , Water supply 5/8" I.D. x 48" (furnished) 2
8641-242-000	Washer, Inlet Hose (furnished) 2
9565-003-001	Strainer, Inlet Hose (furnished) 2
9242-417-001	Drain Hose 10 ft length x 2-1/4" I.D. (optional)
9242-417-003	Drain Hose 10 ft length x 3" I.D. (optional)
8641-586-002	Bevel Washer for 5/8" bolt used in installations using angle iron bases
8641-586-003	Bevel Washer for 3/4" bolt used in installations using angle iron bases
8545-051-003	T-10 Torx for removing coin acceptor mounting screws
9732-139-002	Kit, Door Gasket Expander (large) 1
9732-139-001	Kit, Door Gasket Expander (small) 1
8545-055-002	Electrical Probe 100-600 VAC
8545-055-001	Electrical Probe 24-90 VAC
8538-151-001	Sealing Compound
Grip o matic	#1038 Puller
9475-002-002	Flow Restrictors (in dispenser) 2

CABINET AND FRONT PANEL GROUP

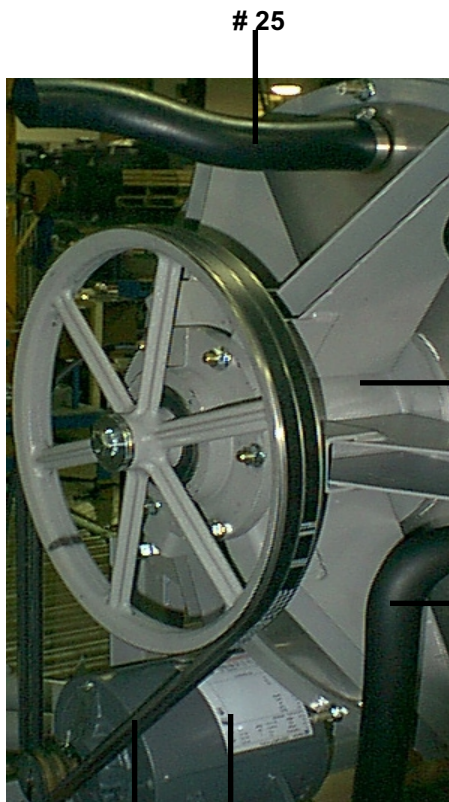
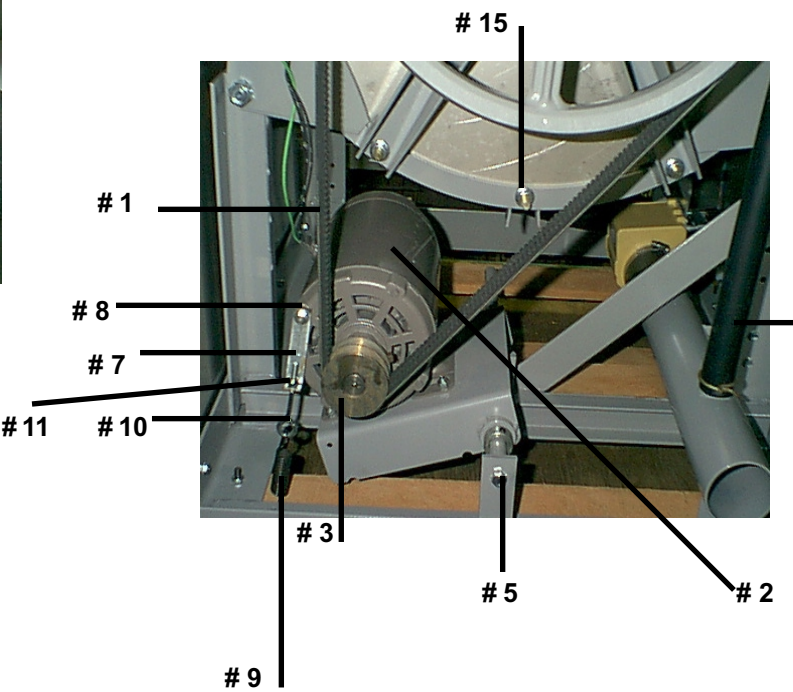
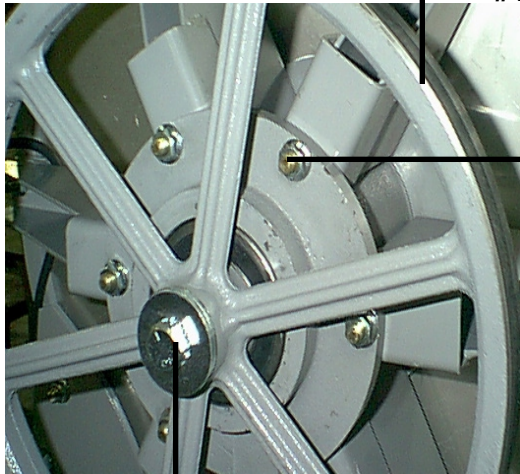
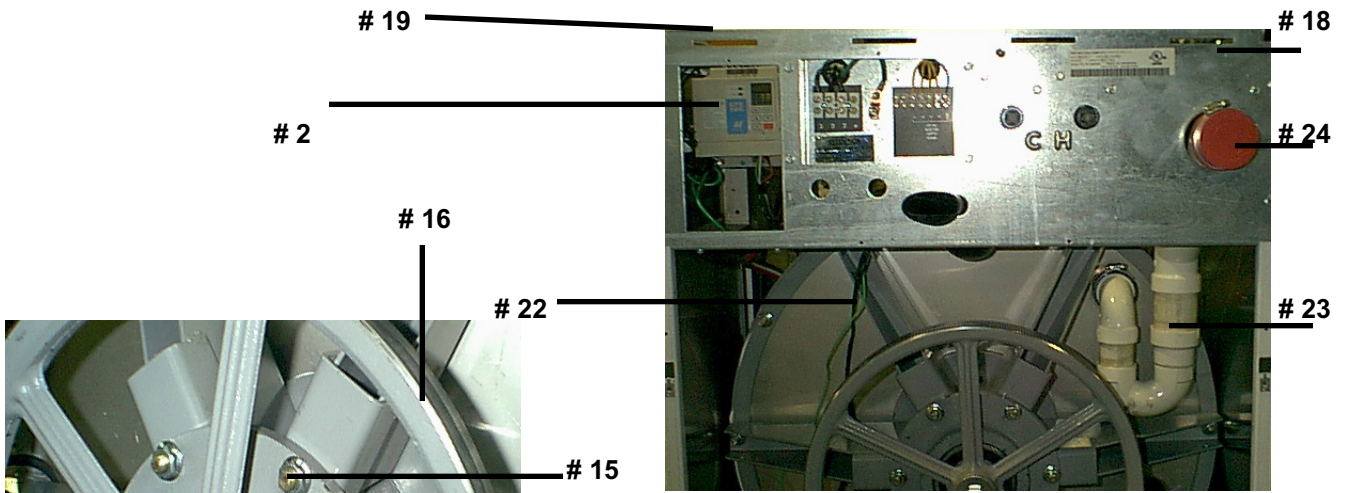
Key	Part Number	Description	
1	9454-652-001	Panel, Side (Left or Right)- Stainless	2
1a	9545-018-013	Screw, (Side Panel to Base)	8
*	8640-414-006	Nut 8	8
*	9029-066-001	Bracket, Side Panel	1
*	8640-413-002	Nut, Hex #10	2
*	9545-008-026	Screw, #10	2
2	9454-669-003	Panel Assy, Front	1
15	9051-053-001	Bumper Loading Door	1
*	9059-063-002	Band, Edge Protector	1
*	8640-399-005	Nut, Spring- To Control Panel	2
*	9545-008-006	Screw, Hex- To Control Panel	2
3	9545-008-014	Screw, Flat Head	2
3	8641-585-001	Washer, Finish	2
3	8640-399-008	Nut, Spring	2
3	9545-008-023	Screw, Fillister Head Guide	2
4	8502-624-002	Label, Door Opening	1
5	9108-097-001	Door, Lower Service	1
6	9545-008-014	Screw, Flat Head	2
6	8641-585-001	Washer, Finish	2
6	8640-399-008	Nut, Spring	2
*	9545-008-023	Screw, Fillister Head Guide	2
7	9412-099-001	Nameplate, Computer Control Panel MAXI	1
8	9454-695-001	Control Panel (mounts nameplate)	1
*	9545-008-026	Screw Control panel mounting	4
9	9454-664-001	Panel, Top	1
10	8650-012-003	Lock, Top (w/Key)	1
*	9306-025-001	Key, Top- # 6324 KEY NUMBER	1
*	9095-038-001	Cam, Lock Top	1
*	8640-426-001	Nut, 9/32	1
*	8641-581-008	Washer	1
*	9086-017-001	Catch, Top Panel	2
*	9467-024-001	Post, Top Locator	2
*	8640-411-003	Nut, Keps	2
*	9355-001-001	Locator, Panel	2
*	9545-008-025	Screw, #10	2
11	9244-081-002	Handle (bumper guard)	1
*	9545-045-010	Screw, handle mounting	4
12	9108-095-003	Door dispenser	1
*	9545-008-012	Screw, Dispenser mounting	4
*	8640-399-007	Nut, Keps	4
*	9545-045-002	Screw, Dispenser post mounting	4
13	9467-025-001	Post , door mounting	2
*	9451-191-001	Pin, plain	2

* Not Illustrated



REAR VIEW

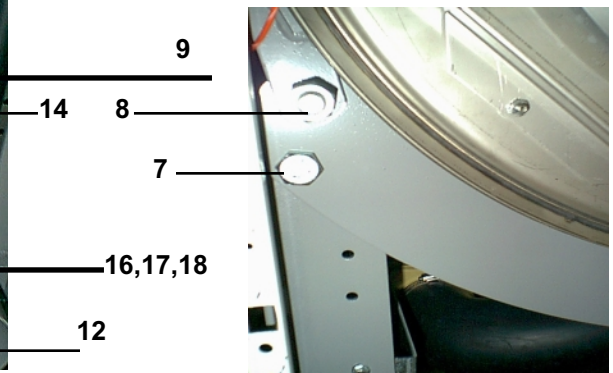
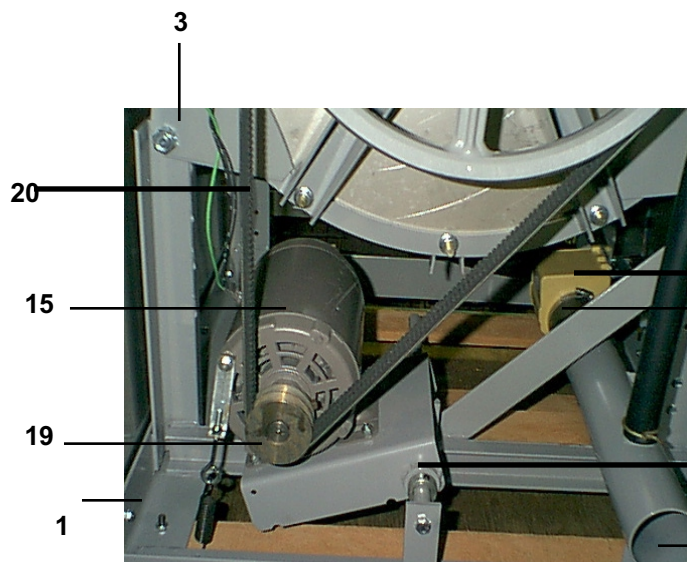
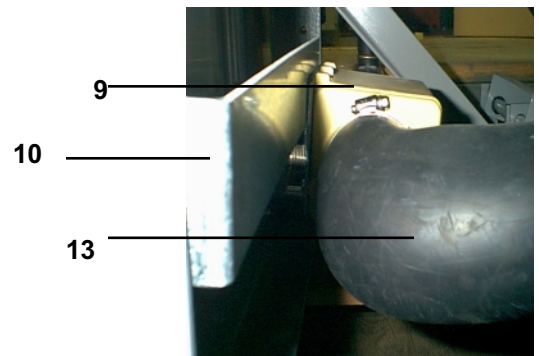
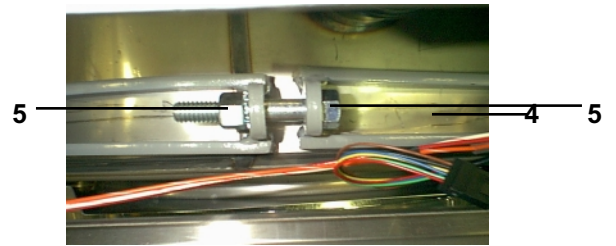
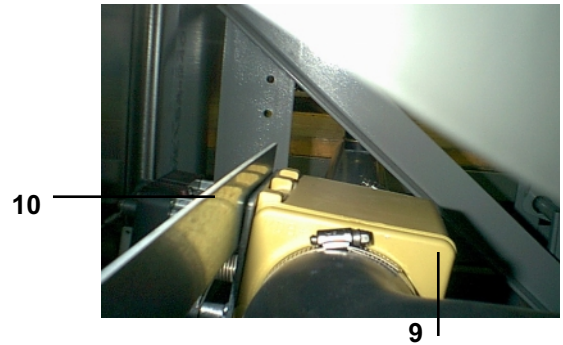
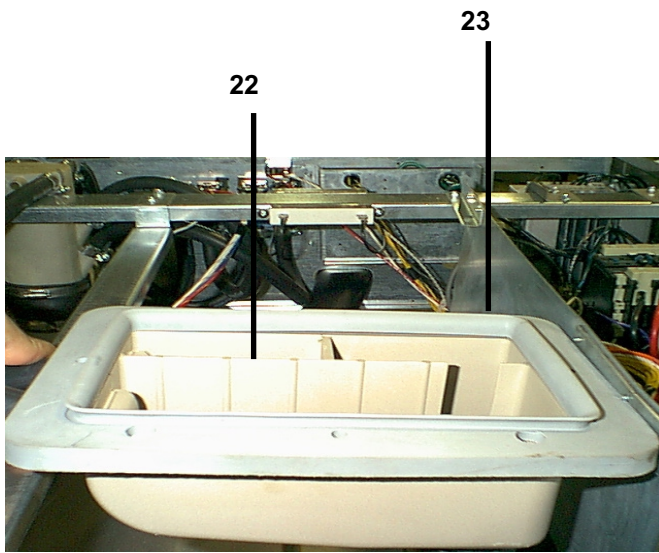
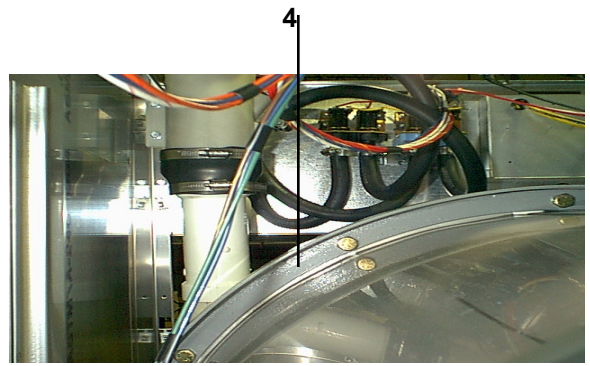
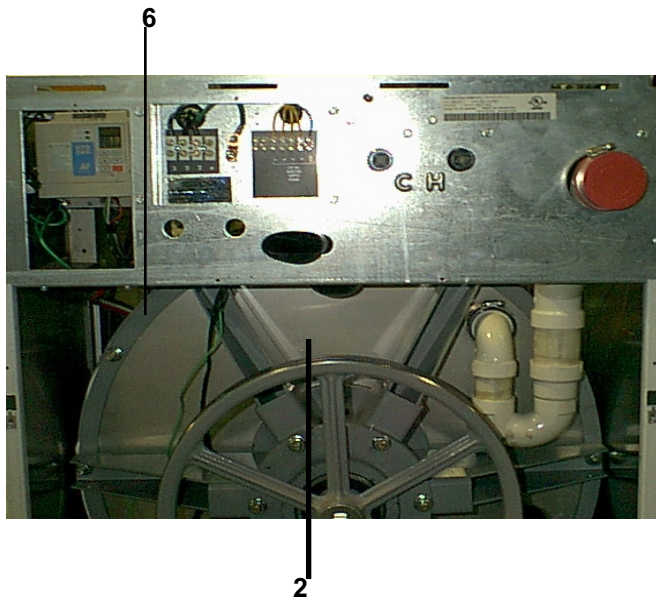
Key	Part Number	Description	
1	9040-076-005	Drive Belt	2
2	9376-301-001	Drive Motor Magnatek VARIABLE FREQUENCY DRIVE TYPE	1
*	9375-002-006	VARIABLE FREQUENCY DRIVE MAGNATEK GPD 205	1
*	9483-004-002	Braking Resistors 200 ohm	2
3	9453-170-003	Pulley, Motor	1
*	9545-028-015	Screw, set	2
26	9991-055-002	Motor Support Plate Assembly	1
4	9497-222-004	Rod, Motor Mtg	1
*	9053-074-002	Motor Support Bushing	2
5	9545-029-005	Screw	1
5	8641-582-014	Lockwasher	1
6	9076-052-002	Collar, Shaft (w/set screws)	3
7	9029-027-003	Strap, Motor tension	1
8	8640-413-002	Nut, Strap to Motor	1
8	8641-581-006	Washer	1
9	9534-319-002	Spring, Belt Tension	1
10	9545-055-001	Bolt, Eye	1
11	8640-414-003	Nut, 1/4-20 Elastic Stop	1
13	9950-041-004	Ring Assy., Tub Mtg.- Rear	1
14	9991-051-002	Support Assy., Bearing Hsg	6
15	9545-059-002	Bolt, 2"- Tub Back to Tub	12
*	8640-416-005	Nut, Flange Lock	12
*	9552-038-003	Shim	AR
16	9453-168-003	Pulley, Driven	1
17	9545-060-001	Screw, Pulley to Shaft	1
17	8641-581-032	Washer, Flat	2
17	8641-582-018	Lockwasher	1
17	9487-234-003	Tolerance Ring for pulley	1
18	9081-093-001	Channel, Rear Back Panel	1
*	9545-008-026	Screw	4
*	8640-399-004	Nut, Spring	4
*	9454-655-001	Panel, Back Guard	1
19	9454-664-001	Panel, Top	1
20	9242-449-002	Hose, Overflow to tube assembly	1
*	8654-029-000	Clamp, Hose	2
21	9989-446-001	Panel Assy., Back	1
*	9545-008-026	Screw	10
*	8640-399-004	Nut, Spring	10
22	9242-175-002	Hose, Pressure Switch	1
*	8654-117-015	Clamp, Pressure Sw. Hose	1
23	9883-007-001	Injector Assembly	1
24	0935-127-001	End Cap Assembly	1
25	9242-463-003	Overflow Hose Vent type	1



CHASIS AND DRAIN GROUP

Key	Part Number	Description	
1	9945-097-002	Base Assy, Frame	1
2	9930-136-001	Tub Assy	1
3	9967-009-002	Cradle Assy, Tub	1
4	9950-050-002	Ring Assy, Tub Mtg-Front Clamp	2
5	9545-060-003	Screw, 5/8-3x 1 (outer tub clamping band)	1
5	8640-425-011	Nut	1
5	8641-582-018	Lockwasher	1
6	9950-041-004	Ring Assy., Tub Mtg.- Rear	1
7	9545-060-001	Bolt, 5/8-11x1 1/2 (front and rear to base)	4
8	9545-060-002	Bolt, 5/8-11x2 1/2 (Front Ring to Cradle Base)	2
*	8641-582-018	Lockwasher	12
*	8640-425-001	Nut, Hex	12
9	9379-187-001	Valve, Drain (see drain valve breakdown seperate page)	1
10	9029-052-001	Bracket, Drain Valve	1
*	9545-048-001	Screw, Valve to Bracket	1
*	8641-581-018	Washer	1
*	9545-030-002	Screw, Bracket to Base	2
12	9915-118-002	Tube Assy, Drain	1
*	9545-030-002	Screw, Tube Mtg	2
13	9242-456-001	Hose, Tub to Drain Valve	1
14	9242-457-001	Hose, Drain Valve to Tube	1
*	8654-117-014	Clamp, Hose	4
15	9376-301-001	Motor Drive Magnatek	1
16	9497-222-004	Rod, Motor Mtg	1
17	9076-052-002	Collar, Shaft	2
18	9545-029-005	Screw, Motor Mtg Rod	1
18	8641-582-014	Lockwasher	1
19	9453-170-003	Pulley, Motor	1
*	9545-028-015	Set Screw, Square Head	2
20	9040-076-005	Belt, Drive	2
*	9552-038-001	Shim, Support Assembly	AR
*	9081-093-001	Channel, Rear Back panel	1
22	9122-005-004	Dispenser,	1
*	9206-416-001	Gasket, Dispenser	1
23	9242-450-001	Hose, Dispenser to Tub	1
*	8654-117-008	Clamp, Dispenser Hose	2

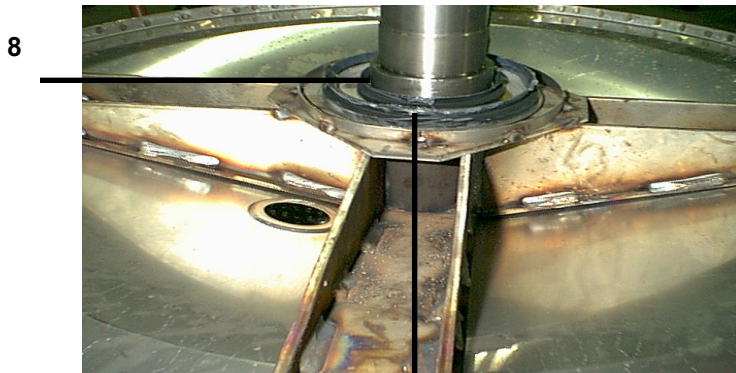
* Not Illustrated



BEARING HOUSING, WATER SEALS AND PULLEY GROUP

Key	Part Number	Description	
1	9848-113-001	Cylinder, Assy	1
*	9456-041-007	Plug plastic inside cylinder 1 1/2"	1
*	9803-186-001	Housing, Bearing- Assembly (includes items #2-#6)	1
2	9241-180-002	Housing, Bearing	1
3	9036-159-005	Bearing, Front	1
4	9036-159-004	Bearing, Rear	1
5	9538-167-001	Spacer, Bearing	1
6	9487-238-003	Ring, Bearing Retainer	1
7	9532-140-006	Seal, Secondary Forsheda	1
8	9532-140-009	Seal, Primary VRinga (OPL)	1
9	9950-048-001	Ring,Assembly (Seals Mount On)	1
9a	9487-261-003	Ring Seal Tub Back Mating (seal turns on) after #429963	1
9a	9732-137-003	Kit Back Assy, Tub(2-piece kit must be used before #429963)	1
11	9545-060-001	Screw, 5/8 x 1 1/2 Gr. 5 (tub back and bearing housing)	6
11	8640-425-001	Nut	6
11	8641-582-018	Lockwasher	6
12	9991-051-002	Support Assy.,Attach to Bearing Housing	6
13	9545-059-003	Screw, 7/16 x 1 1/2 Gr 8 (bearing housing pulley side)	6
13	9545-059-002	Screw, 7/16 x 2 (tub back ring to tub back)	12
13	8640-416-005	Nut	6
14	9453-168-003	Pulley, Driven	1
18	9545-060-001	Bolt 5/8" x 1 1/2" Gr 5 (pulley mounting)	1
15	9487-234-003	Ring, Tolerance	1
16	8641-581-032	Washer	1
16	9545-060-001	Screw	1
16	8641-582-018	Lockwasher	1

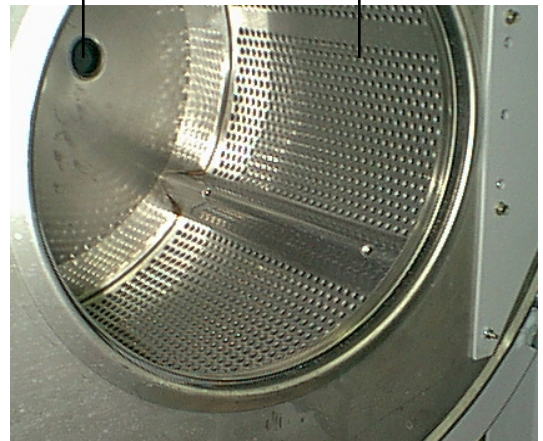
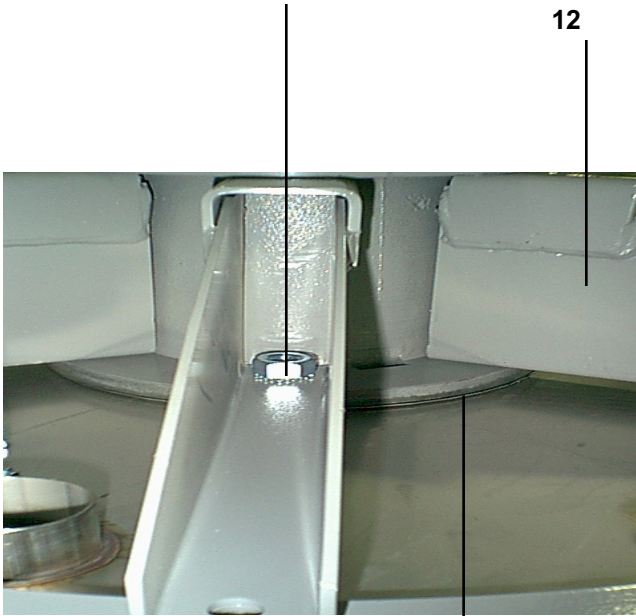
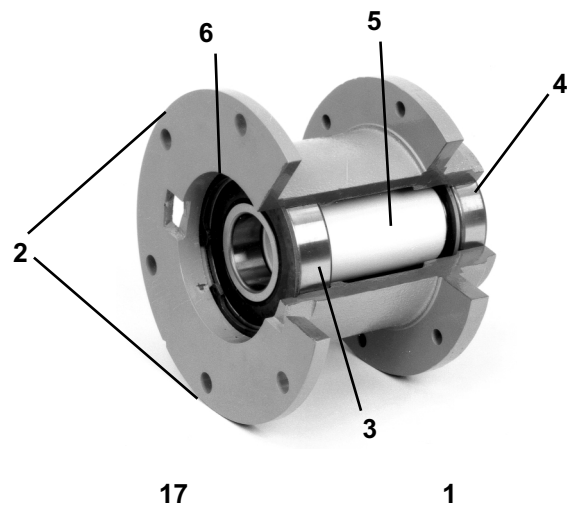
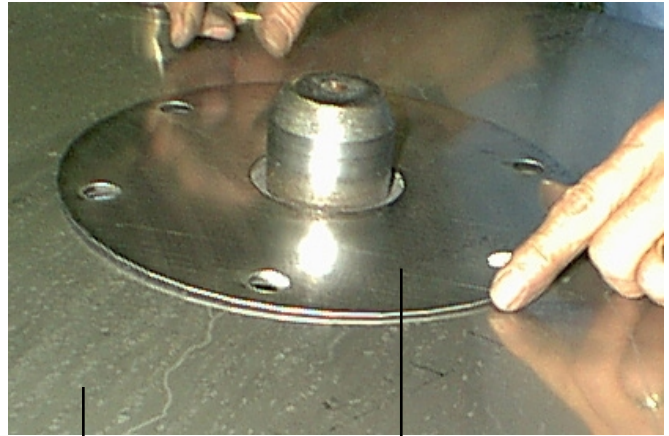
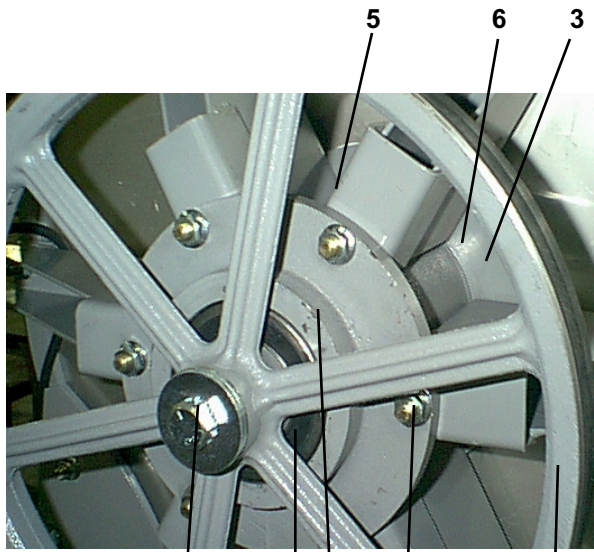
* Not Illustrated



7



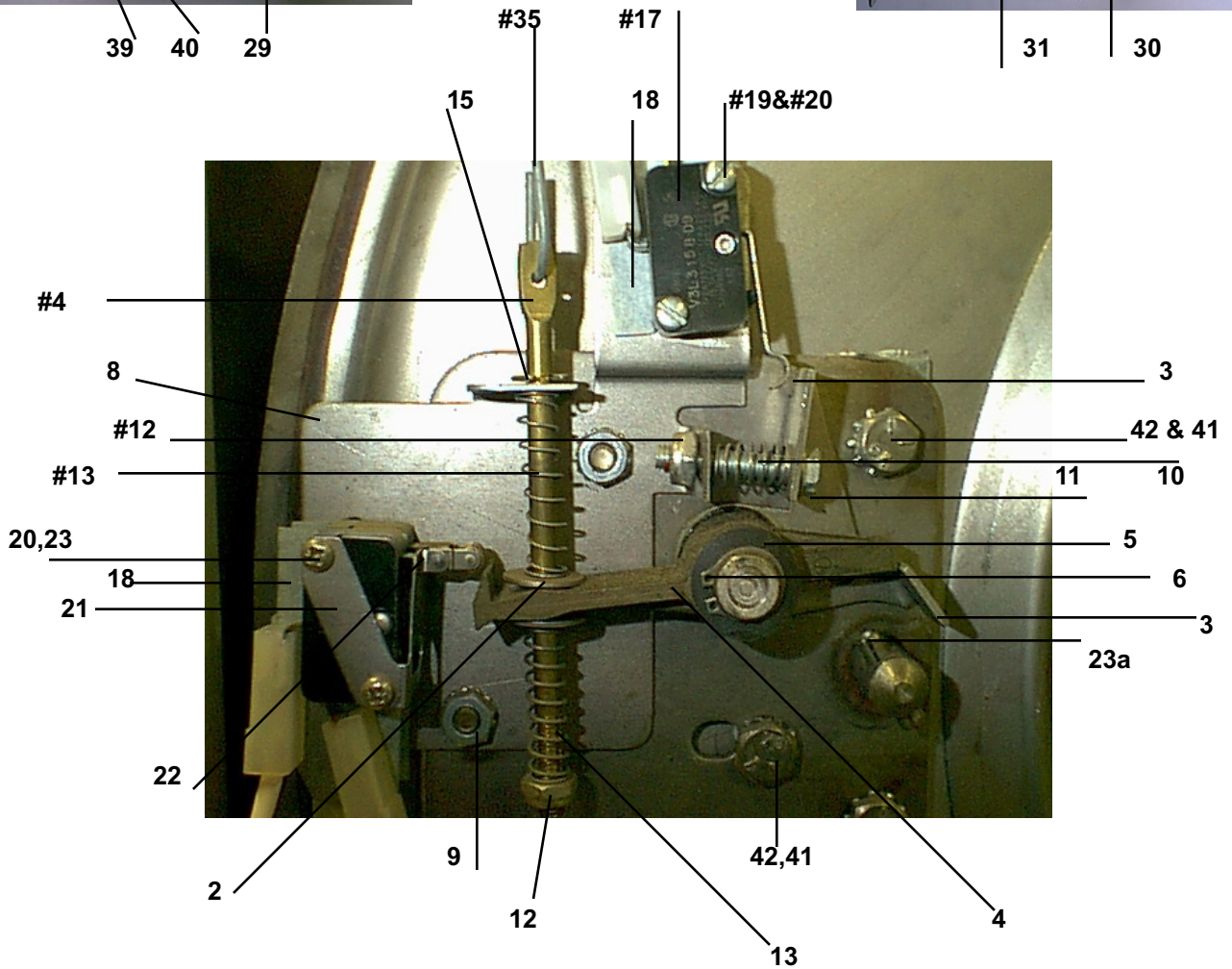
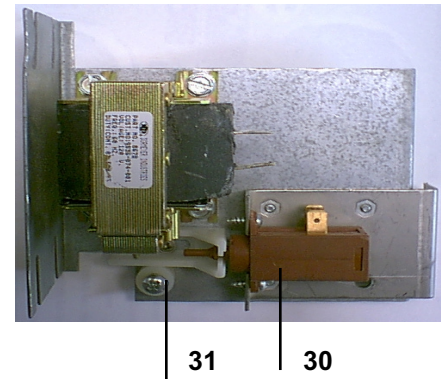
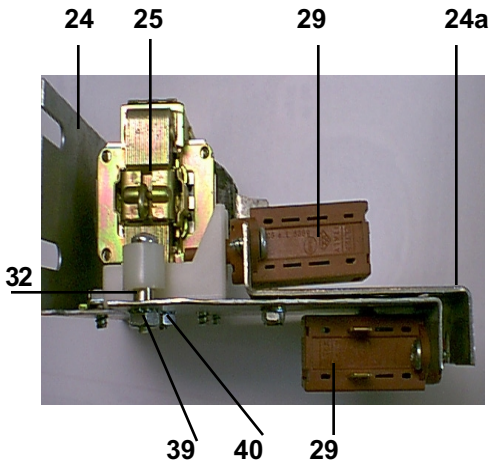
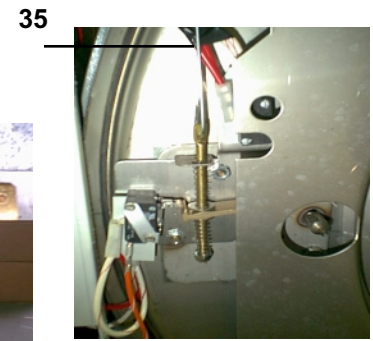
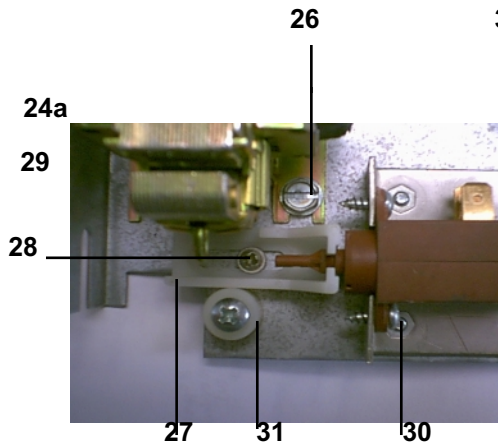
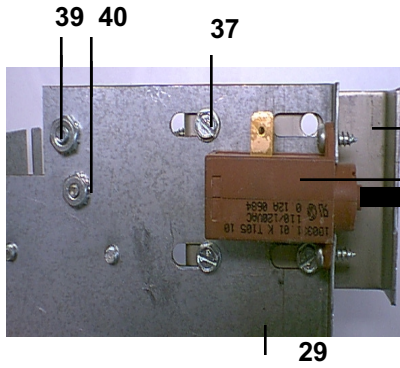
9



DOOR LOCK GROUP

Key	Part Number	Description	
*	9885-023-001	Lock Assy, Complete (includes #1 thru #23)	1
1	9982-284-001	Plate Assy, Door Lock	1
2	8641-581-030	Washer, Flat	1
3	9008-005-001	Actuator, Latching Switch	1
4	9450-002-002	Pawl, Locking	1
5	8641-569-003	Washer, Spring	1
6	9487-200-004	Ring, Retaining	1
8	9029-035-001	Bracket, Switch	1
9	8640-413-002	Nut, Hex	2
10	9534-364-002	Spring, Actuating	1
11	9545-012-020	Screw, Hx	1
12	8640-413-004	Nut, Elastic Stop	2
13	9534-364-001	Spring, Return	2
14	9451-193-001	Pin, Guide	1
15	9487-200-005	Ring, Retaining	1
16	8641-581-031	Washer	2
17	9539-461-008	Switch, Latching Sensing	1
18	9550-169-003	Shield, Switch	3
19	9545-020-001	Screw 4-40 x 5/8"	2
20	8640-401-001	Nut, Twin	2
21	9539-461-007	Switch, Locking Sensing	2
22	9008-006-002	Actuator, Switch	2
23	9545-020-003	Screw 4-40 x 1 1/8"	2
23	8640-401-001	Nut, Twin	1
23a	9451-181-004	Pin, Dowel	1
*	9552-037-001	Shim, Door Lock, Thin	AR
*	9552-037-002	Shim, Door Lock, Thick	AR
42	9545-018-004	Screw, Lock mtg 1/4-20x3/4	3
41	8641-582-007	Lockwasher	3
36	9922-011-001	Solenoid Ass'y Door Locking (includes 24 thru 34)	1
24	9029-073-001	Bracket, Solenoid	1
24a	9985-169-001	Bracket, ass'y solenoid slide	1
25	9536-074-001	Solenoid 120 V 60hz	1
26	9545-008-001	Screw, Solenoid Mtg	4
27	9540-033-002	Stop, Door Lock Solenoid	1
28	9545-061-001	Screw, Shoulder	1
29	9586-001-001	Thermoactuator	2
30	9545-031-004	Screw	4
31	9538-157-004	Spacer, Plastic	1
32	9538-166-004	Spacer, Metal	1
33a	9545-010-001	Screw, Cross Recessed	1
39	8640-412-005	Nut, Keps #8	1
40	8640-411-003	Nut, Keps #6	2
38	8640-413-002	Nut, Sol. Brkt to Control Panel (nuts inserted in brkt.)	1
37	9545-044-003	Screws # 6(for mounting sol. brkt.)	3
35	9497-225-003	Rod, Pull	1

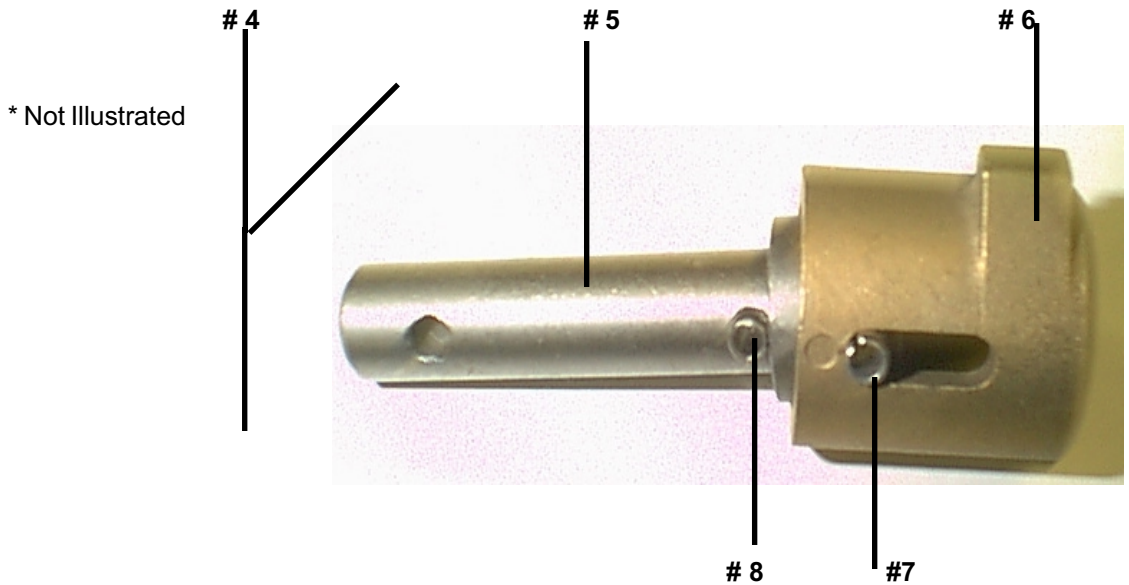
* Not Illustrated

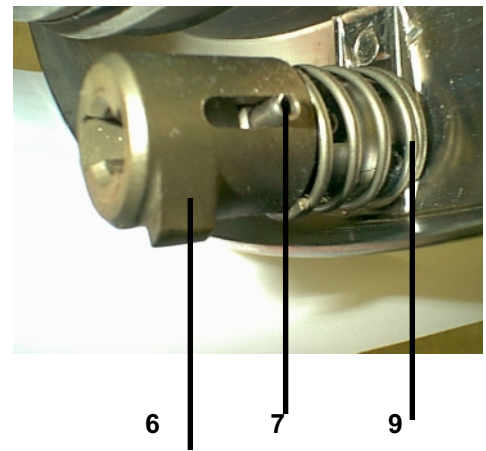
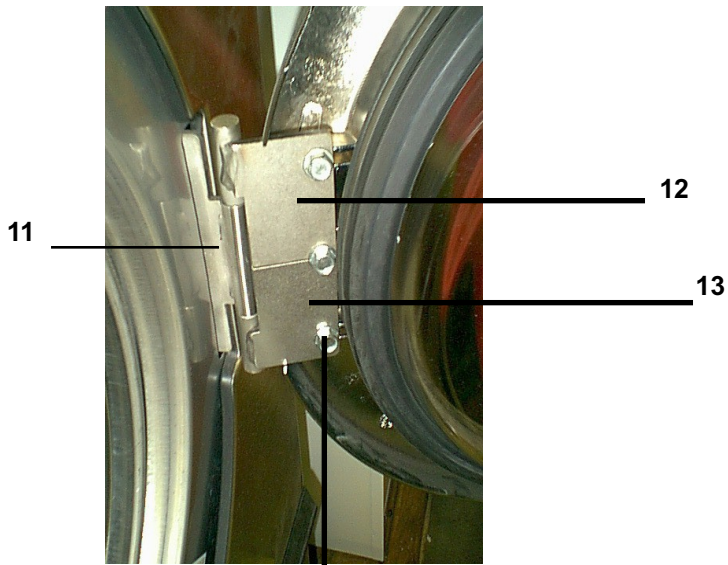


LOADING DOOR GROUP

180` DOOR

KEY	PART NUMBER	DESCRIPTION	
*	9960-259-006	Loading Door, Complete (includes #1thru #10)1
1	9487-230-002	Loading Door Ring 180 degree.....	.1
2	9206-419-001	Gasket, Loading Door.....	1
3	9635-016-001	Window, Loading Door.....	.1
4	9913-134-003	Shaft Assy. Locking (includes #5 thru #8).see below.....	.1
5	9537-195-002	Shaft, Door Locking.....	.1
6	9095-040-001	Cam, Locking.....	1
7	9451-181-005	Pin, Groove (1 1/4).....	.1
8	9451-181-005	Pin, Groove (3/4).....	1
9	9534-360-002	Spring, Lock Cam	1
10	9244-080-003	Handle, Door1
17	9451-181-006	Roll Pin, Door Handle (groove)	1
11	9955-030-001	Hinge Assy, Loading Door (mounts to tub front)....	.1
*	9545-014-009	Screw, Hinge Mtg.....	3
*	8641-582-009	Lockwasher.....	3
*	9552-036-001	Shim, Loading Door Hinge, Thin.....	.AR
*	9552-036-002	Shim, Loading Door Hinge, Thick.....	.AR
12	9845-005-001	Top, Loading Door Leaf Hinge.....	1
13	9845-005-002	Bottom, Loading Door Leaf Hinge	1
16	9545-056-002	Screw, Loading Door Mtg.	1
15	9487-254-002	Ring, Masking	1
*	8640-413-002	Nut.....	.4
*	9059-063-002	Band Edge Protector1



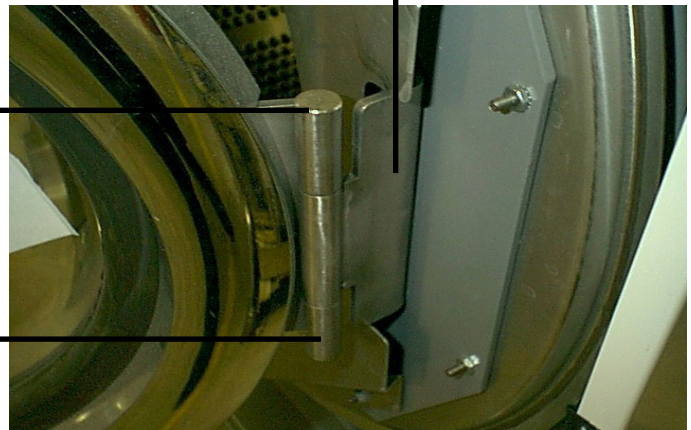


16

12

13

11



3

1

2

15

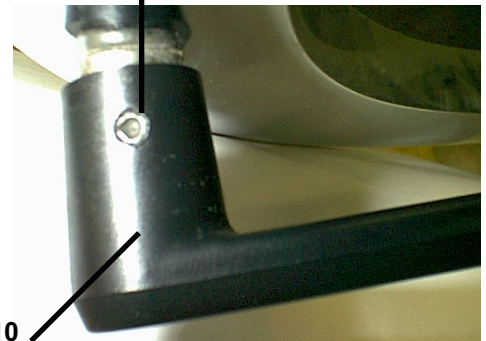
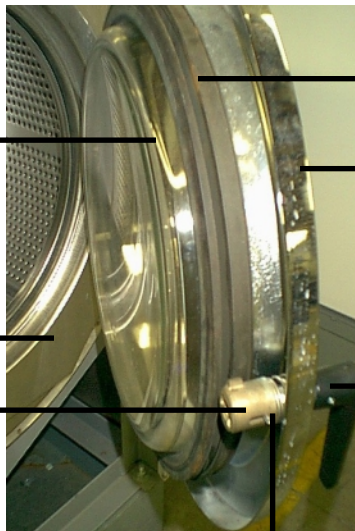
6

10

9

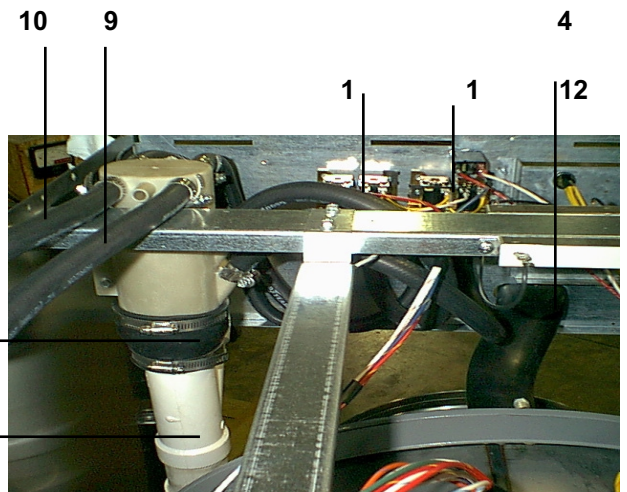
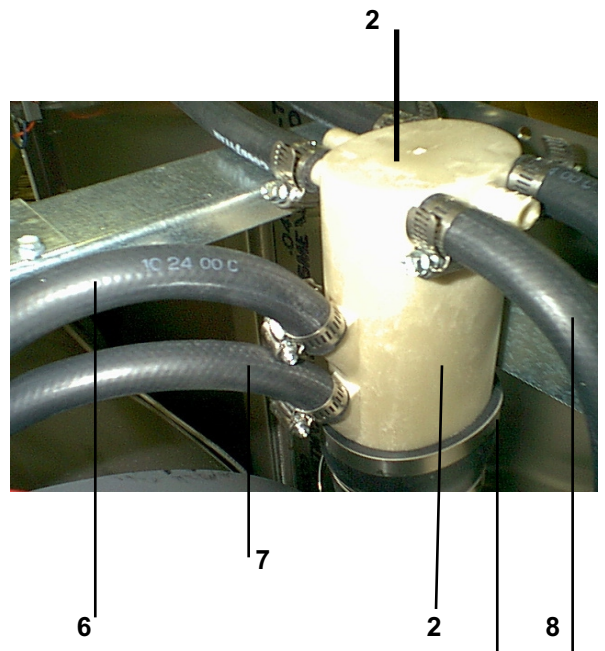
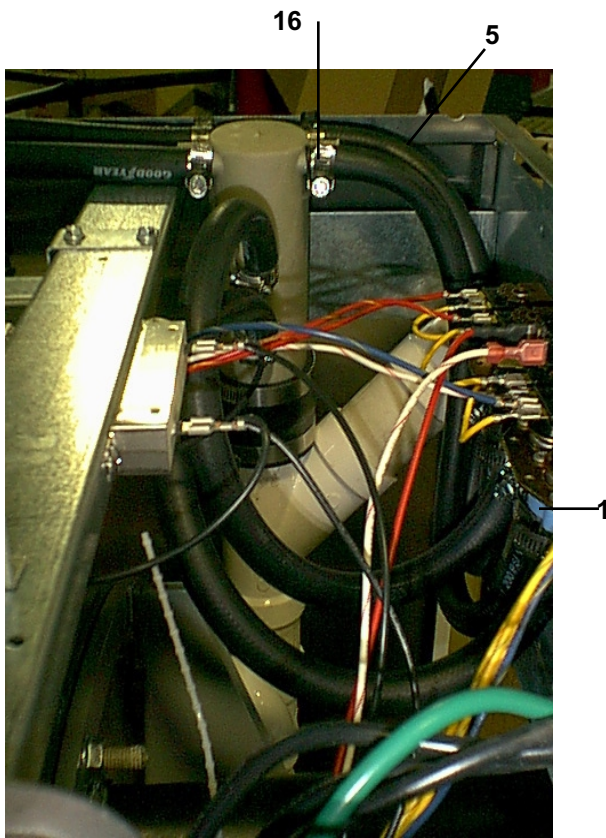
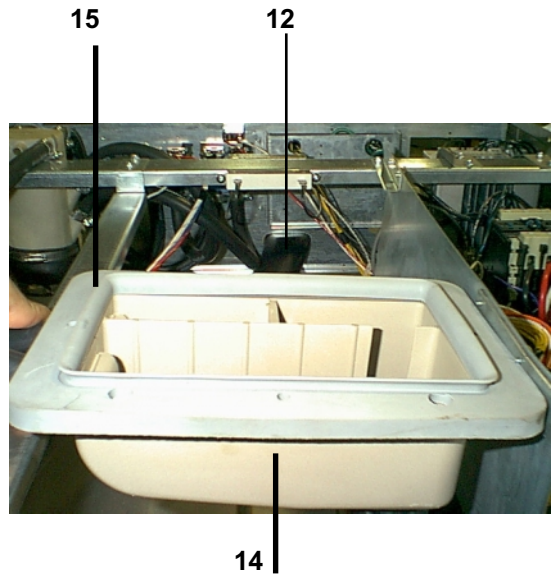
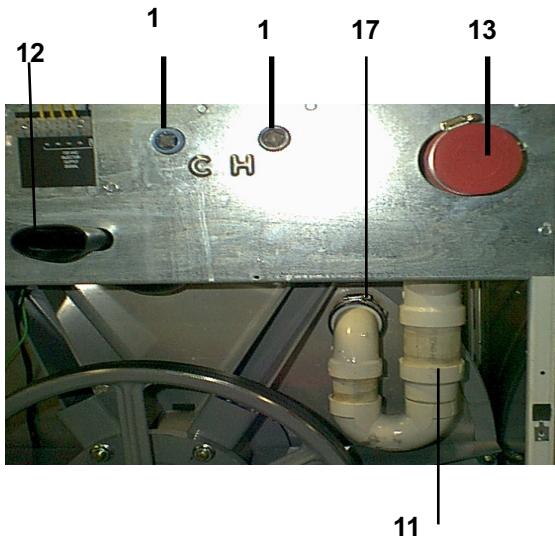
17

10



WATER INLET GROUP

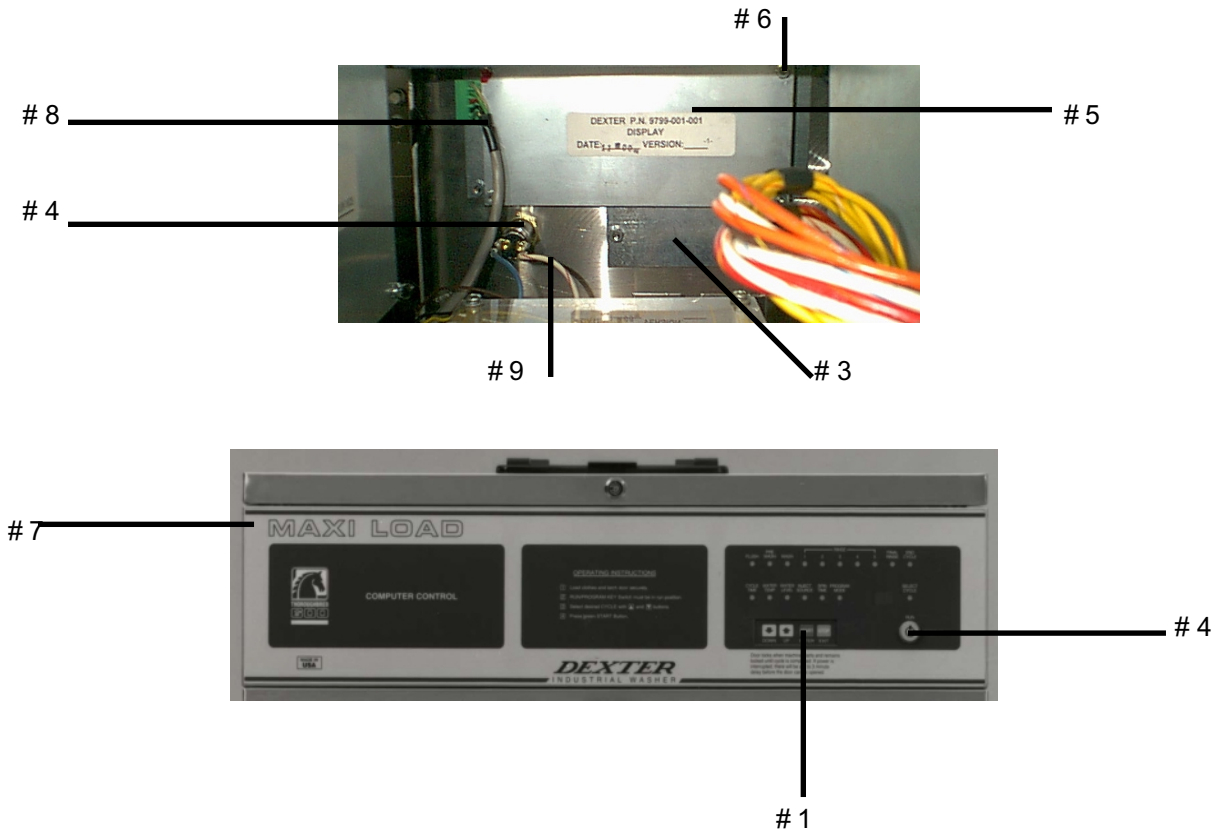
Key	Part Number	Description	
1	9379-183-003	Valve, Water Inlet[blue]	1
1	9379-183-004	Vavle, Water Inlet [black]	1
*	9475-002-002	Flow Restrictors	2
*	9545-008-026	Screw, Valve Mtg	4
*	8640-399-009	Nut, Spring	4
2	9610-001-001	Vacuum Breaker	1
16	9029-077-001	Bracket, Vacuum Breaker	1
*	9545-008-026	Screw	4
3	9242-461-001	Hose, Vacuum Breaker to Injector	1
4	8654-117-008	Clamp, Vacuum Breaker End	1
*	8654-117-008	Clamp, Tub End	1
5	9242-453-020	Hose, Hot Valve to Vac. Brkr 18"	1
6	9242-453-020	Hose, Hot Valve to Vac. Brkr 18"	1
7	9242-453-020	Hose, Cold Valve to Vac. Brkr 18"	1
8	9242-453-020	Hose, Cold Valve to Vac. Brkr 18"	1
9	9242-453-008	Hose, Vac. Brkr. to Rinse Disp 26"	1
10	9242-453-009	Hose, Vac. Brkr. to Wash Disp 23"	1
16	8654-117-009	Clamp, Hose	2
18	8654-117-015	Clamp, Hose	13
		
11	9883-007-001	Injector Ass'y P V C	1
		
12	9242-463-003	Hose, Overflow	1
17	9242-462-001	Injector To Tub Hose	1
13	0935-127-001	End Cap (red) for injector assembly	1
14	9732-105-004	Dispenser	1
15	9206-416-001	Gasket Dispenser	1
*	9242-450-001	Hose Dispenser to Tub (top)	



CONTROL PANEL GROUP

Key	Part Number	Description	
1	9801-061-001	Switch Ass'y, Membrane	1
2	9627-700-001	Wiring Harness, Membrane	1
3	9452-637-001	Plate, Membrane Switch	1
4	8650-024-001	Lock, Key (Switch) # 7495 Key number	1
9	9627-703-001	Wiring Harness, Key Switch	1
5	9799-001-001	Display Ass'y, Printed Circuit Board	1
8	9627-705-001	Wiring Harness, To Display	1
6	8640-411-003	Nut, Mtg	7
7	9412-099-001	Nameplate Computer, MAXI	1

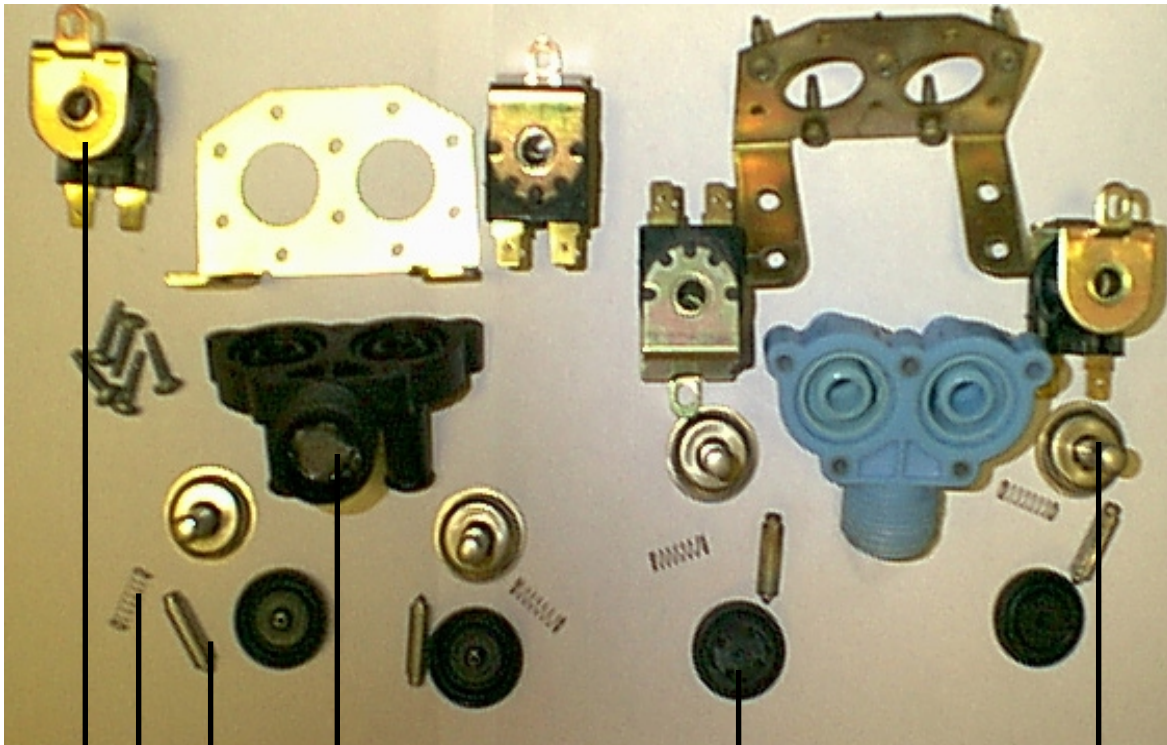
* Not Illustrated



WATER INLET VALVE BREAKDOWN

Key	Part Number	Description	
*	9379-183-003	Valve, Water Inlet Blue (includes #1 thru #6)	1
*	9379-183-004	Valve, Water Inlet Black (includes #1 thru #6)	1
1	9555-056-001	Screen, Inlet	2
2	9089-017-001	Coil Assy., 120 V	2
3	9118-049-001	Diaphragm	2
*	9118-049-002	Diaphragm OPTIONAL Special	
4	9211-021-002	Guide, Solenoid	2
5	9015-008-001	Armature	2
6	9534-298-001	Spring, Armature	2
*	9545-008-026	Screw, Valve Mtg	2

* Not Illustrated



#2

#6

#5

#1

#3

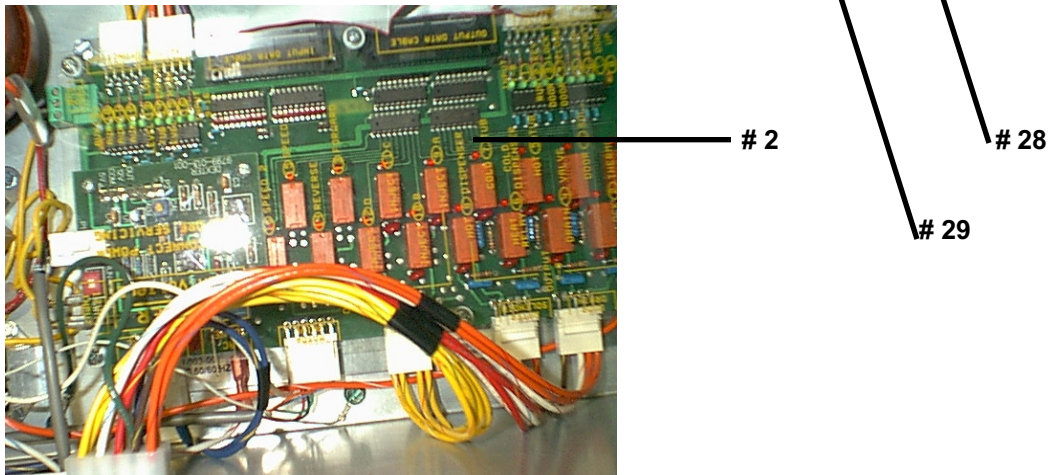
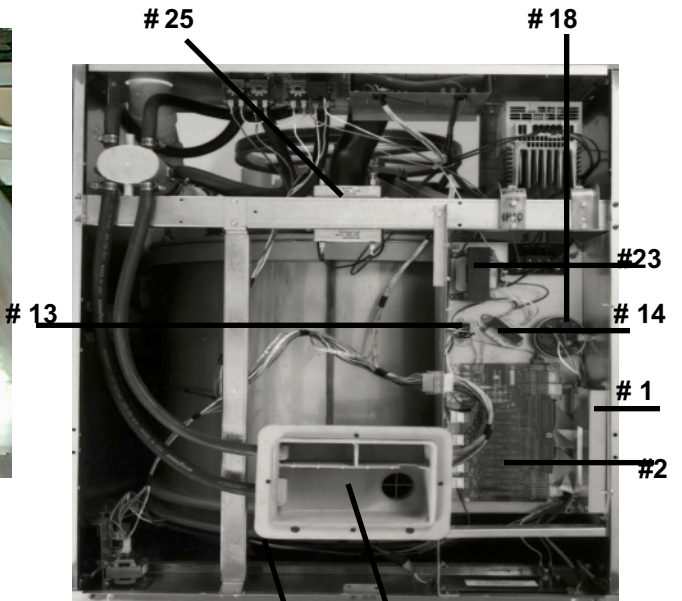
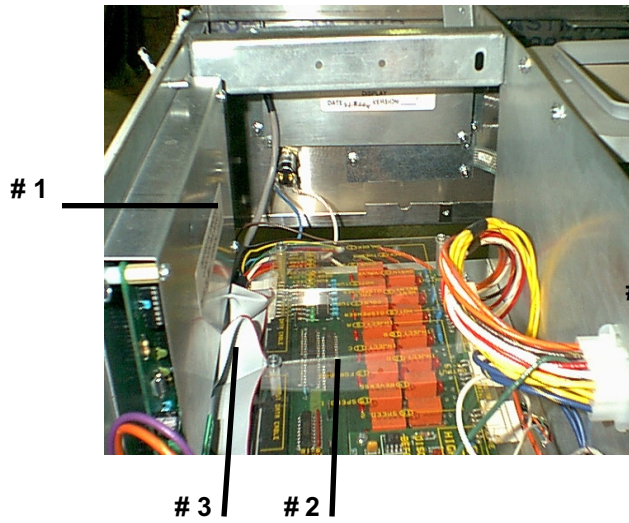
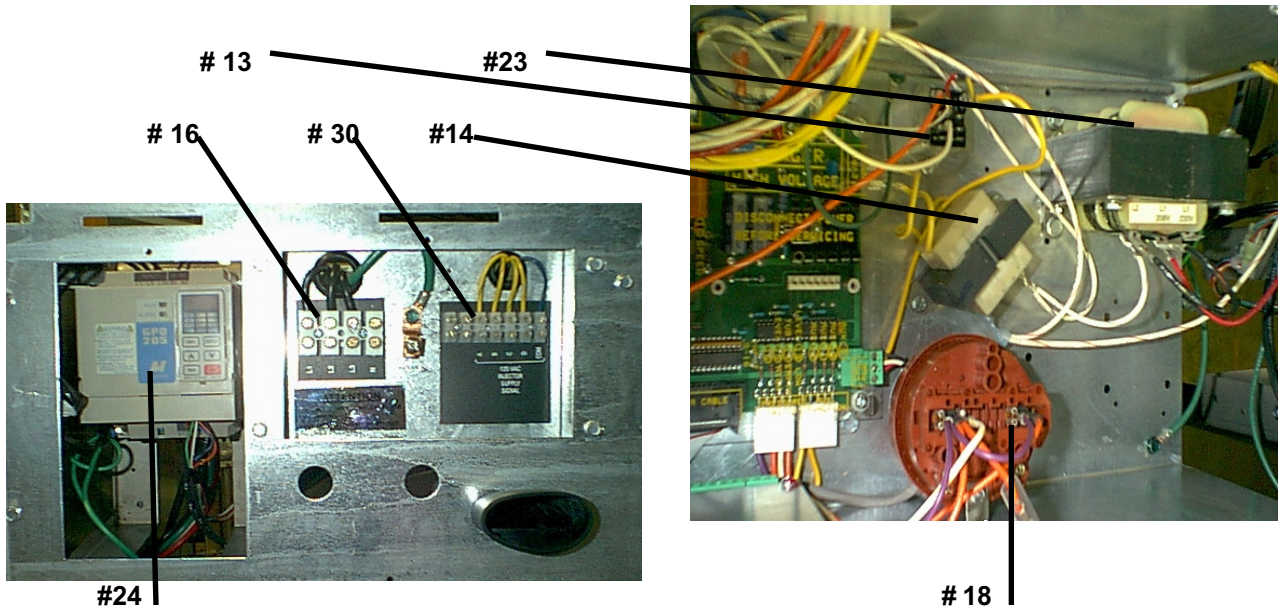
#4

ELECTRICAL COMPONENTS TOP COMPARTMENT

Key	Part Number	Description	
1	9799-002-003	PC Board Ass'y, CPU ***** READ BELOW	1
*	9732-163-001	KIT MUST BE PURCHASED IF BEFORE SERIAL #416351	
2	9799-003-001	PC Board Ass'y, Input/Output	1
*	8220-089-001	Jumper Wire Assy (used on above board 40 lb micro only)	1
3	9500-001-001	Ribbon Cable	2
4	9627-706-001	Wiring Harness, CPU to I/O	1
5	9081-122-001	Channel, Trough Mtg	1
6	9545-008-023	Screws	4
7	9081-108-001	Channel, Dispenser Support	1
8	9545-008-026	Screw	2
9	9545-008-001	Screw, To Cntrl Panel	2
10	9839-014-001	Trough Assy, Controls Mtg	1
*	9545-008-001	Screw	4
11	9029-061-001	Bracket, Support- Trough	1
12	9545-008-001	Screw	3
13	5192-285-003	Run Relay (R-1)	1
*	8220-001-442	Diode Ass'y	1
14	8711-003-001	Transformer, 120/12VAC	1
15	9545-031-003	Screw	2
30	9897-032-002	Terminal Block Injector	1
16	9897-033-002	Terminal Block, Power	1
*	9558-025-001	Strip, Terminal Marker (Power)	1
*	9558-028-001	Strip, Terminal Marker Injector (120 volts signals)	1
17	9545-031-001	Screw, Mtg	2
18	9539-489-001	Switch, Pressure	1
19	9545-031-003	Screw	1
20	9029-071-001	Bracket, Pressure Switch	1
*	9242-175-002	Hose pressure switch	1
*	9545-045-001	Screw, Mtg	2
21	5198-211-004	Circuit Breaker, 1.5 amp	1
23	8711-004-001	Transformer, Control	1
*	9545-008-026	Screw	2
*	8641-582-006	Lockwasher	2
24	9375-002-006	Drive, Magnatek 2 HP	1
*	9545-008-026	Screw	4
*	8640-413-002?	Nut, Hex	4
25	9483-004-002	Resistor, Braking	2
*	9545-012-003	Screw	4
*	8640-413-002??	Nut	4
26	9003-248-001	Angle, Drive Mtg.-L.H	1
27	9003-248-002	Angle, Drive Mtg.-R.H	1
*	9545-413-002??	Nut	6
28	9122-005-004	Dispenser,(washcompounds)	1
29	9206-416-001	Gasket, Dispenser	1

* Not Illustrated

Electrical Components-Top Compartment



TERMINAL BLOCKS

Key	Part Number	Description	
*	9897-033-002	Terminal Block, power	1
*	9558-025-001	Terminal Marker Strip	1
*	9545-031-001	Screw	2
*	9897-032-002	Terminal Block, Injector	1
*	9558-028-001	Terminal Marker Strip	1
*	9545-053-002	Screw	2

LABELS

Key	Part Number	Description	
*	8502-624-002	Label, Warning Door Opening	1
*	8502-614-004	Label, High Voltage	1
*	8502-647-001	Label, Connections- Injector	1
*	8502-649-001	Label, Connections- Electrical	1
*	8502-619-003	Label, Fusing & Installation	1
*	8502-639-001	Label, Warning	1
*	8502-650-001	Label, Insturction Dispenser	1
*	8502-653-001	Label, Installer Instructions	1
*	8502-666-001	Label, Injector assembly	1
*	8507-268-001	Instructions Chemical hose installation	1
*	8507-274-001	Instructions Spin Direction	1
*	9345-786-006	Schematic/Wirng Diagram	1
*	8514-031-001	Owners Booket	1

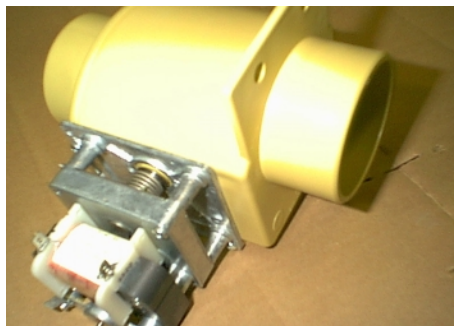
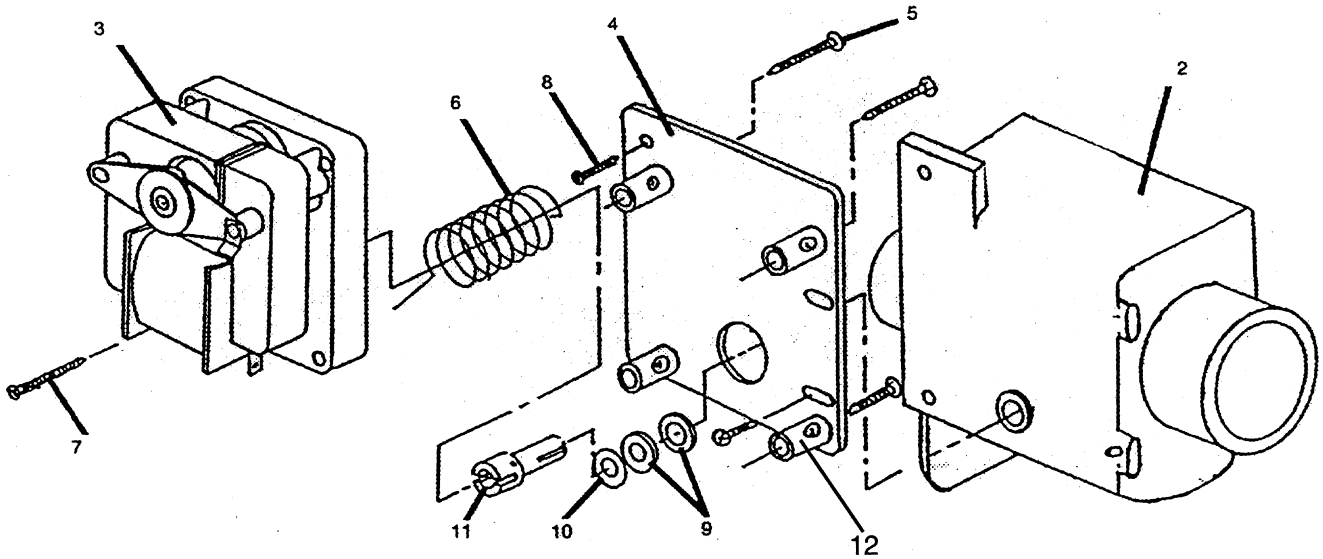
WIRING HARNESS GROUP

Key	Part Number	Description	
*	9627-747-001	Wiring Harness, Power Term Blk	1
*	9627-742-001	VFD to Motor Drive	1
*	9627-697-001	Wiring Harness, Trough, 115VAC	1
*	9627-698-001	Wiring Harness, 115VAC	1
*	9627-701-001	Wiring Harness, VFD Control Shield	1
*	9627-704-001	Wiring Harness, Pressure Switch	1
*	9627-703-001	Wiring Harness Door /Lock -Keylock	1
*	9627-705-001	Wiring Harness CPU to Display	1
*	9627-710-001	Wiring Harness Control to VFD	1
*	9627-700-001	Wiring Harness Membrane Switch	1
*	9627-706-001	Wiring CPU to I/O board	1
*	8654-125-005	Clamp, Cable- 3/16 Dia	1

* Not Illustrated

DRAIN VALVE GROUP

Key	Part Number	Description	
	9379-187-001	Valve, Drain (includes #2 thru #11)	1
2	9064-070-001	Body, Valve (w/ball)	1
3	9914-137-001	Motor & Gear Train	1
4	9452-538-001	Plate, Motor Mtg	1
5	8639-994-001	Screw	3
6	9534-339-001	Spring, Drive	1
7	9545-054-001	Screw	2
8	9545-054-002	Screw	1
9	9532-134-001	Seal, V Packer	2
10	8641-584-001	Washer	1
11	9451-196-001	Pin, Main Drive	1
12	9538-149-001	Spacer, Plate Motor Mtg	4



Section 7

Maintenance

Daily

1. Clean the top and the cabinet to remove residue.
2. Clean the soap dispenser and soap lid.
3. Check the drain for leaking and proper draining.
4. Check the loading door for leaks.
5. Clean the door seal of all foreign material.
6. Leave the loading door open to aerate the washer when not in use.

Quarterly

Make sure the power is disconnected before making the following checks.

1. Check the drive belt for wear and proper tension.
2. Clean lint and other foreign material from around drive motor.
3. Check all water connections for leaks.
4. Wipe and clean the inside of the washer and check all electrical components for moisture and dust.
5. Remove and clean water inlet hose filters. Replace if necessary.
6. After any service always replace all panels before reconnecting electrical power.

Section 8

ELECTRIC HEATED DATA HEATED MODELS Programming

The heated bath is programmed in our water temperature selection portion of our microprocessor.

You will program a formula the same way as perviouslyly discussed in this manual except as follows:

When you arrive at temperature selection portion of programming you will see the following choices :EE (tub empty),CC (cold), CH (warm), HH (hot), or any temperature between 20 degrees and 90 degrees in 5 degrees increments.

Use the up arrow and down arrow pad to set the water temperature desired (Centigrade) and then push the green start button to accept the change and then move to the next programming sequence.

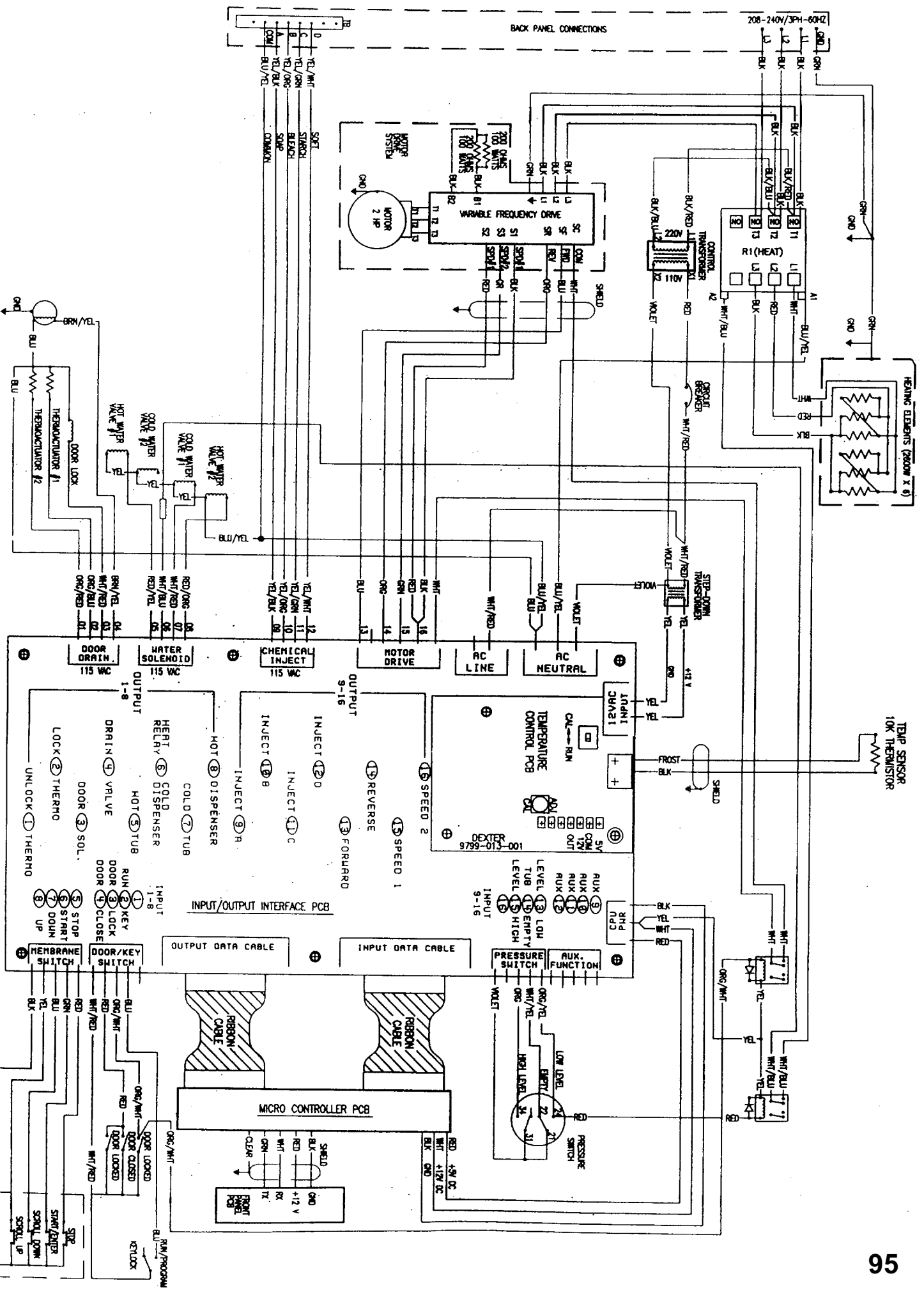
Continue with any other cycle changes as previouslyly discussed.

To exit the program mode and accept all changes press the red stop button while any one of the nine bath lights(top row of lights) are lit. The " Select cycle " light should be on. Turn the run/program key back to run position. If the program mode is exited incorrectly, the "Program" light will remain lit and the machine will remain in the program mode until the run/program key is turned back to the program position and the program is exited correctly.

SCHEMATIC/WIRING DIAGRAM 208-240V/3PH,60 HZ

40# COMPUTER WASHER W/HEAT OPTION

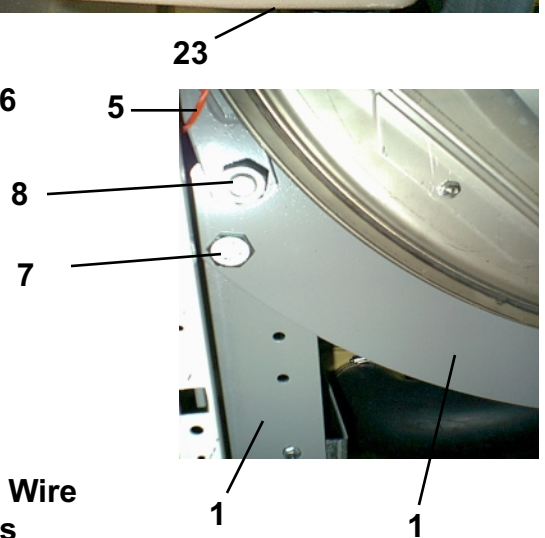
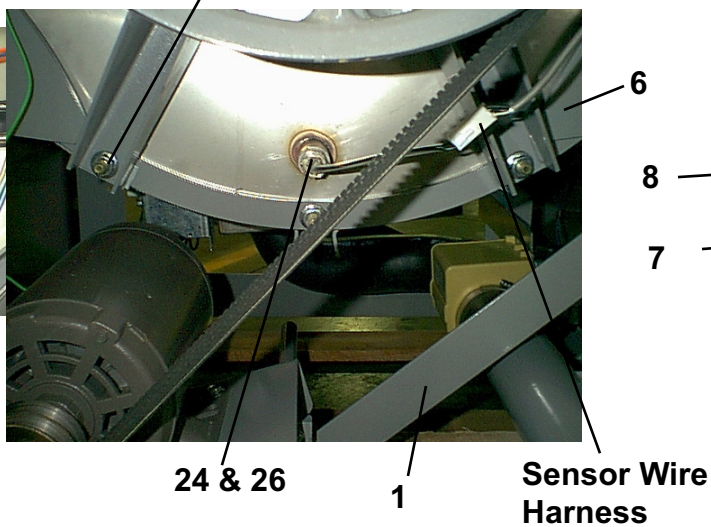
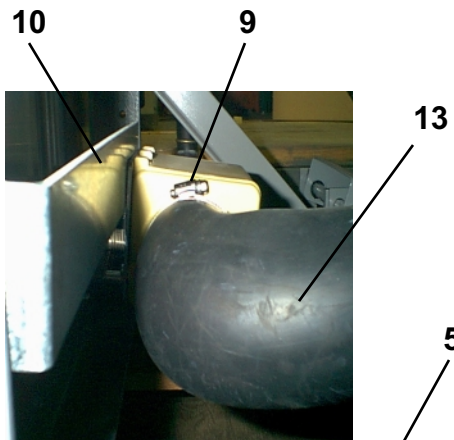
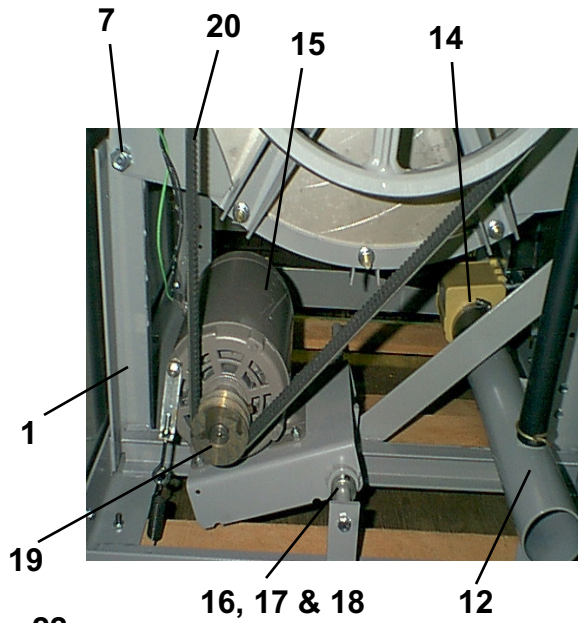
9345-909-001PR



HEATED CHASIS AND DRAIN GROUP

Key	Part Number	Description	
1	9945-097-002	Base Assy, Frame	1
*	9930-136-001	Tub Assy	1
*	9869-010-001	Tub & Cylinder Assembly Complete with heat	1
3	9967-009-002	Cradle Assy, Tub	1
4	9950-050-002	Ring Assy, Tub Mtg-Front Clamp	2
5	9545-060-003	Screw, 5/8-3x 1 (outer tub clamping band)	1
5	8640-425-011	Nut	1
5	8641-582-018	Lockwasher	1
6	9950-041-004	Ring Assy., Tub Mtg.- Rear	1
7	9545-060-001	Bolt, 5/8-11x1 1/2 (front and rear to base)	4
8	9545-060-002	Bolt, 5/8-11x2 1/2 (Font Ring to Cradle Base)	2
*	8641-582-018	Lockwasher	12
*	8640-425-001	Nut, Hex	12
9	9379-187-001	Valve, Drain (see drain valve breakdown seperate page)	1
10	9029-052-001	Bracket, Drain Valve	1
*	9545-048-001	Screw, Valve to Bracket	1
*	8641-581-018	Washer	1
*	9545-030-002	Screw, Bracket to Base	2
12	9915-118-002	Tube Assy, Drain	1
*	9545-030-002	Screw, Tube Mtg	2
13	9242-456-002	Hose, Tub to Drain Valve	1
14	9242-457-001	Hose, Drain Valve to Tube	1
*	8654-117-014	Clamp, Hose	4
15	9376-301-001	Motor Drive Magnatek	1
16	9497-222-004	Rod, Motor Mtg	1
17	9076-052-002	Collar, Shaft	2
18	9545-029-005	Screw, Motor Mtg Rod	1
18	8641-582-014	Lockwasher	1
19	9453-170-003	Pulley, Motor	1
*	9545-028-015	Set Screw, Square Head	2
20	9040-076-005	Belt, Drive	2
*	9552-038-001	Shim, Support Assembly	AR
*	9081-093-001	Channel, Rear Back panel	1
22	9122-005-004	Dispenser,	1
*	9206-416-001	Gasket, Dispenser	1
23	9242-450-001	Hose, Dispenser to Tub	1
*	8654-117-008	Clamp, Dispenser Hose	2
24	9501-005-002	Sensor Assembly 10 K at rear of tub	1
25	9870-087-001	Heater Assembly 6 heaters included	1
26	8615-104-043	Bushing Reducer Hex	1
27	9074-286-002	Cover (Heater terminals)	1

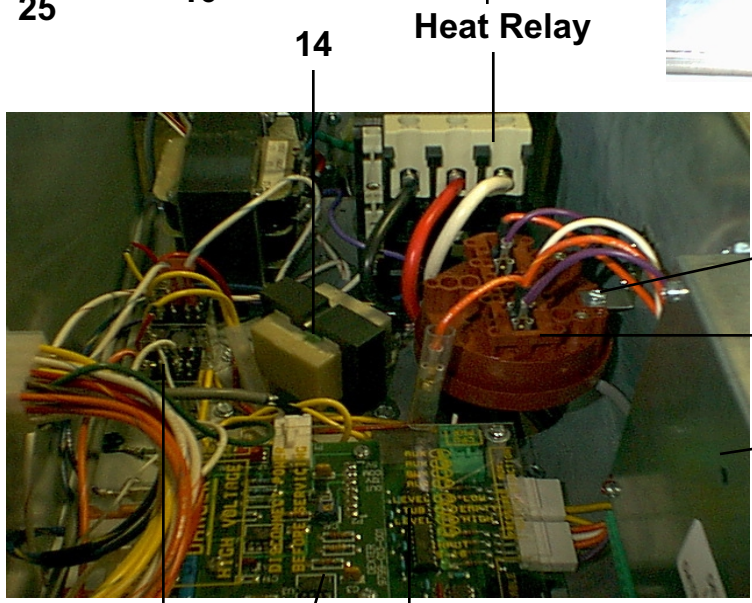
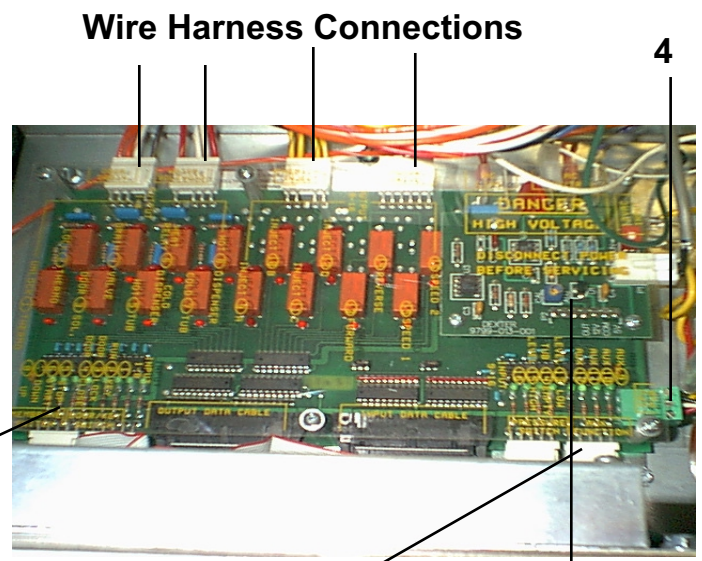
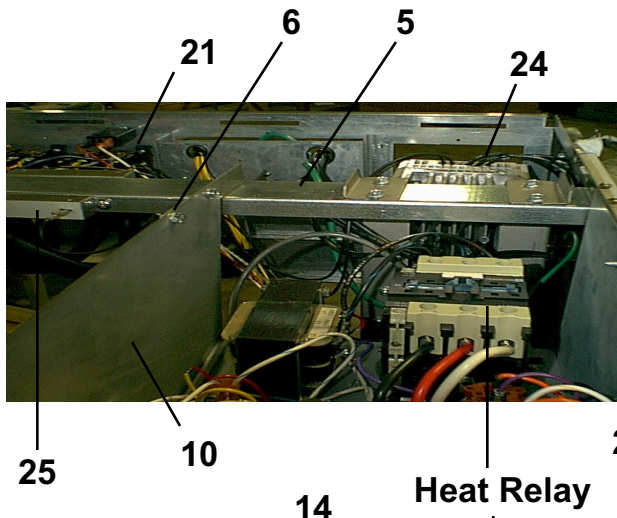
* Not Illustrated



HEATED WASHER ELECTRICAL COMPONENTS TOP

Key	Part Number	Description	
1	9799-002-003	PC Board Ass'y, CPU ***** READ BELOW	1
*	9732-163-001	KIT MUST BE PURCHASED IF BEFORE SERIAL #416351	
2	9799-003-001	PC Board Ass'y, Input/Output	1
*	8220-089-001	Jumper Wire Assy (used on above board 40 lb micro only)	1
*	9799-013-001	PC Board Assembly -Temperature Control	1
3	9500-001-001	Ribbon Cable	2
4	9627-706-001	Wiring Harness, CPU to I/O	1
5	9081-122-001	Channel, Trough Mtg	1
6	9545-008-023	Screws	4
*	9081-108-001	Channel, Dispenser Support	1
*	9545-008-026	Screw	2
*	9545-008-001	Screw, To Cntrl Panel	2
10	9839-014-001	Trough Assy, Controls Mtg	1
*	9545-008-001	Screw	4
*	9029-061-001	Bracket, Support- Trough	1
*	9545-008-001	Screw	3
13	5192-285-003	Run Relay (R-1) and level relay	2
*	5192-291-001	Heat Relay 60 amp	1
*	8220-001-442	Diode Ass'y	2
14	8711-003-001	Transformer, 120/12VAC	1
15	9545-031-003	Screw	2
*	9897-032-002	Terminal Block Injector	1
*	9897-033-002	Terminal Block, Power	2
*	9558-025-001	Strip, Terminal Marker (Power)	1
*	9558-028-001	Strip, Terminal Marker Injector (120 volts signals)	1
*	9545-031-001	Screw, Mtg	2
*	8652-134-002	Terminal - Lug	1
18	9539-489-001	Switch, Pressure	1
19	9545-031-003	Screw	1
20	9029-071-001	Bracket, Pressure Switch	1
*	9242-175-002	Hose pressure switch	1
*	9545-045-001	Screw, Mtg	2
21	5198-211-004	Circuit Breaker, 1.5 amp	1
23	8711-004-001	Transformer, Control	1
*	9545-008-026	Screw	2
*	8641-582-006	Lockwasher	2
24	9375-002-006	Drive,Magnatek 2 HP	1
*	9545-008-026	Screw	4
*	8640-413-002	Nut, Hex	4
25	9483-004-002	Resistor, Braking	2
*	9545-012-003	Screw	4
*	8640-413-002	Nut	4
*	9003-248-001	Angle, Drive Mtg.-L.H	1
*	9003-248-002	Angle, Drive Mtg.-R.H	1
*	9545-413-002	Nut	6
*	9122-005-004	Dispenser,(washcompounds)	1
*	9206-416-001	Gasket, Dispenser	1

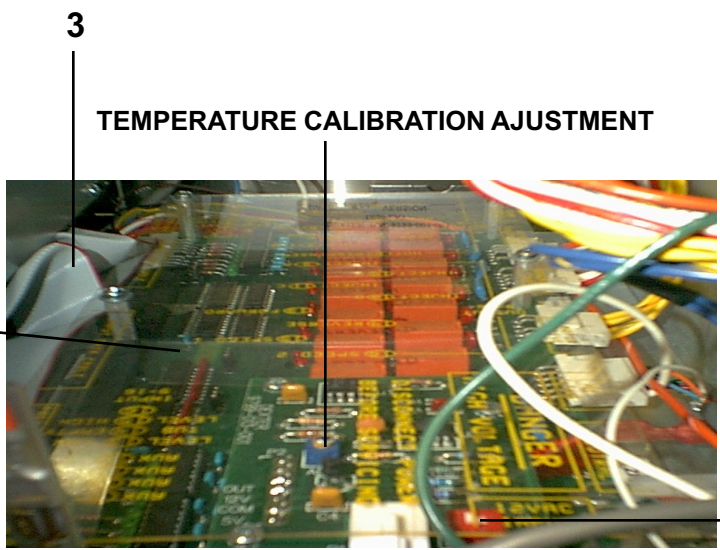
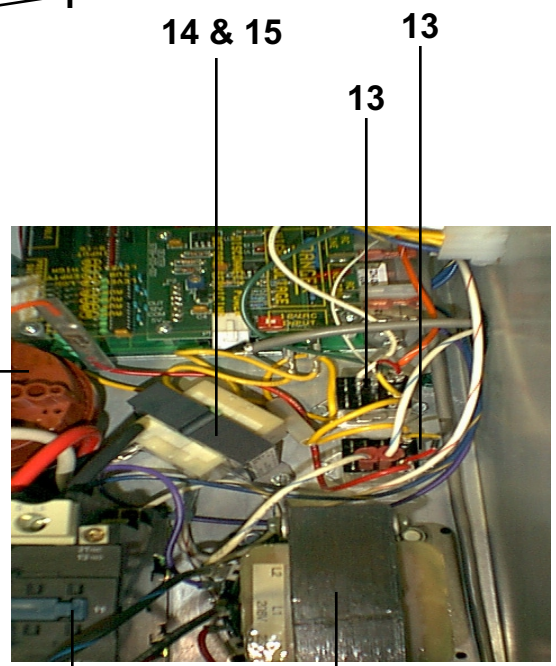
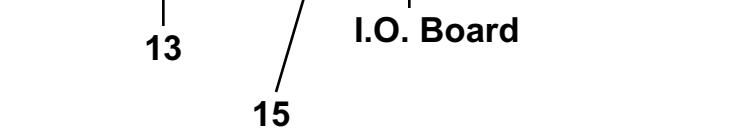
* Not Illustrated



Wire Harness Connections

Jumper wire

Temp board



Heat Relay

SELECTION SWITCH

HEATED TERMINAL BLOCKS

Key	Part Number	Description	
*	9897-033-002	Terminal Block, power	1
*	9558-025-001	Terminal Marker Strip	1
*	9545-031-001	Screw	2
*	9897-032-002	Terminal Block, Injector	1
*	9558-028-001	Terminal Marker Strip	1
*	9545-053-002	Screw	2

.....

LABELS

Key	Part Number	Description	
*	8502-624-002	Label, Warning Door Opening	1
*	8502-614-004	Label, High Voltage	2
*	8502-647-001	Label, Connections- Injector	1
*	8502-649-001	Label, Connections- Electrical	1
*	8502-619-006	Label, Fusing & Installation	1
*	8502-639-001	Label, Warning	1
*	8502-650-001	Label, Insturction Dispenser	1
*	8502-653-001	Label, Installer Instructions	1
*	8502-666-001	Label, Injector assembly	1
*	8507-268-001	Instructions Chemical hose installation	1
*	8507-274-001	Instructions Spin Direction	1
*	9345-909-001	Schematic/Wirng Diagram	1
*	8514-039-001	Owners Booket	1

WIRING HARNESS GROUP

Key	Part Number	Description	
*	9627-748-001	Wiring Harness, Power Term Blk	1
*	9627-755-001	Wiring Harness, Main Heater Assembly	1
*	9627-762-001	Wiring Harness, Temp Sensor	1
*	9627-742-001	VFD to Motor Drive	1
*	9627-697-001	Wiring Harness, Trough, 115VAC	1
*	9627-698-001	Wiring Harness, 115VAC	1
*	9627-701-001	Wiring Harness, VFD Control Shield	1
*	9627-704-001	Wiring Harness, Pressure Switch	1
*	9627-703-001	Wiring Harness Door /Lock -Keylock	1
*	9627-705-001	Wiring Harness CPU to Display	1
*	9627-710-001	Wiring Harness Control to VFD	1
*	9627-700-001	Wiring Harness Membrane Switch	1
*	9627-706-001	Wiring CPU to I/O board	1
*	8654-125-005	Clamp, Cable- 3/16 Dia	1

* Not Illustrated

Operation

Programmed temperatures will be displayed in CENTIGRADE only.

The electric heaters will turn on when low water level has been obtained and actual temperature is less than programmed temperature.

While the heaters are engaged the wheel will pause 3 minutes between each forward/reverse rotation. The wheel will resume normal operation when bath temperature is 5 degrees before the programmed temperature is reached.

Cycle countdown time display will stop while heaters are engaged.

Heaters will maintain temperature throughout heated baths and will engage when bath temperature drops below 3 degrees of programmed temperature.

Actual temperature may be displayed by pressing the start and down arrows simultaneously. The temperature light will be on whenever the temperature is being displayed and will continue to be displayed until the start button is pushed again to display time remaining.

Any temperature between 20 degrees and 90 degrees in 5 degree increments is programmable.

Any bath that has a programmed spin cycle will go through a short cool down bath before spinning if the actual bath temperature at the time of draining is above 65 degrees . This bath consists of filling tub to low level with WARM water while tumbling and then draining. This will continue until bath temperature is below 65 degrees

If machine stop button is pressed momentarily(soak condition) while the heaters are energized, the wheel will continue with the 3 minute pause between each forward / reverse rotation until the set temperature has been reached. The normal 15 minute pause between each forward/reverse rotation will then take place until the start button is pushed to resume the cycle.

Actual bath water temperatures will normally overshoot the set temperature by 1degrees to 3 degrees . This is to assure set temperature will be maintained throughout a normal bath time of 10-20 minutes. The heaters will engage if the bath temperature drops below 3 degrees of set temperature.