



# Section 6

## Parts Data

### V-Series

#### Accessories

<b>WCVD18KCS-10</b>	<b>120 volts</b>	<b>60hz.</b>	<b>Single Phase</b>
<b>WCVD18KCS-12</b>	<b>208-240 volts</b>	<b>60hz.</b>	<b>Single Phase or Three Phase</b>
<b>WCVD25KCS-12</b>	<b>208-240 volts</b>	<b>60hz</b>	<b>Single Phase or Three Phase</b>
<b>WCVD40KCS-12</b>	<b>208-240 volts</b>	<b>60hz</b>	<b>Single Phase or Three Phase</b>
<b>WCVD55KCS-12</b>	<b>208-240-volts</b>	<b>60hz</b>	<b>Single Phase or Three Phase</b>
<b>WCVD75KCS-12</b>	<b>208-240 volts</b>	<b>60 hz</b>	<b>Single Phase or Three Phase</b>

	Grip-O-Matic #1045 Puller to Remove Pulley and Bearing Housing from Shaft on 25lb and 40lb
9732-139-002	Kit, Door Gasket Expander (large)
9732-139-001	Kit, Door Gasket Expander (small)
9990-027-011	Hose, Water Supply (furnished 18lb.,25lb.,40lb.) 3/8" I.D. x 48" . 2
9990-027-013	Hose, Water Supply (furnished 55lb.,75lb.) 5/8" I.D. x 48" ..... 2
8641-242-000	Washer, Inlet Hose (furnished) ..... 2
9565-003-001	Strainer, Inlet Hose (furnished) ..... 2
9242-417-002	Drain hose 10 ft. length x 2-1/4" I.D. ....
9242-417-003	Drain hose 10ft. length x 3" I.D. ....
8641-586-002	Bevel Washer for 5/8" bolt used in installations using angle iron bases
8641-586-003	Bevel Washer for 3/4" bolt used in installations using angle iron bases
8538-151-001	Sealing compound .....
8545-051-002	TORX#20 .....
8545-051-003	Special Tool For Removing Coin Acceptor Mounting Screws. (T-10 Torx)
9475-002-002	Flow Restrictors ( in dispenser ) ..... 2
8612-001-001	Battery (used on Control PCB) ..... 1
8545-056-001	Special Tool for adjusting spacing between outer tub front and cylinder front on WCVD-55,WCVD-75
9183-036-001	VFD Filter options 75-55-40 lb .....
9183-033-001	VFD Filter options 75-55-40 lb .....
Snap On #CJ-84-C	Puller for pushing cylinder out of bearings must be purchase from local sources.
Vise Grip #11R	Clamps to hold tub front to outer tub when installing tub front WCVD-55,WCVD-75
9504-010-001	Coin OP CD for OS2 platform for infared programming devices

## CABINET AND FRONT PANEL GROUP .....

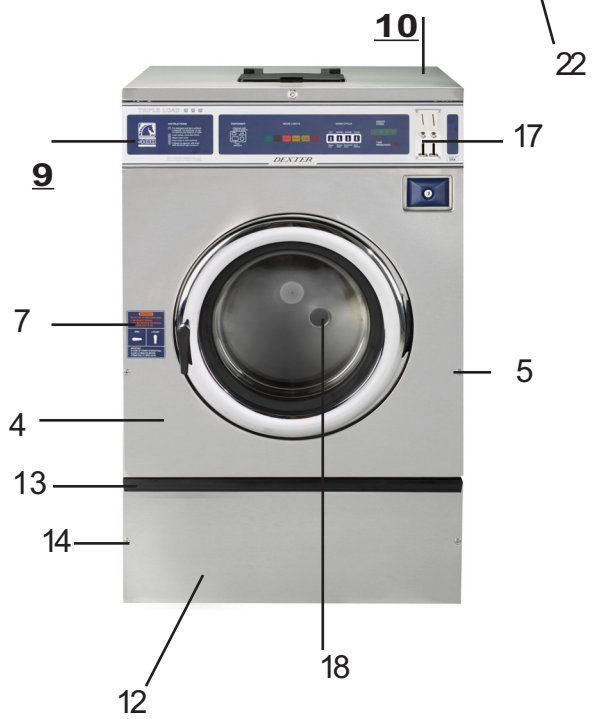
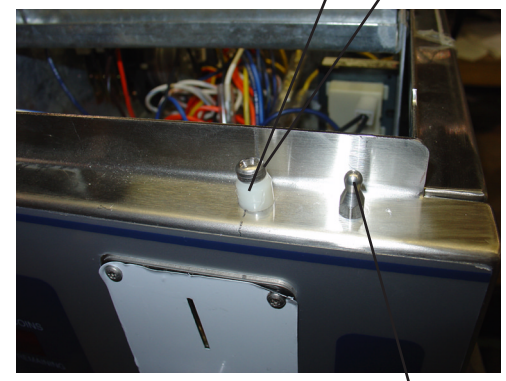
Key	Part Number	Description .....	
1	9454-656-001	Panel, Side (Left or Right) - stainless WCVD-25 .....	2
1	9454-672-001	Panel, Side (Left or Right)-stainless WCVD-55 .....	4
1	9454-635-005	Panel, Right Side-stainless WCVD-18 .....	1
1	9454-635-006	Panel, Left Side - stainless WCVD-18 .....	1
1	9989-449-001	Panel, Side (Left or Right)-stainless WCDV-40 .....	2
1	9454-760-001	Panel, Side ( Left or Right)-stainless WCVD-75 .....	4
2	9545-018-013	Screw, (Side Panel to Base) WCVD-25 .....	6
2	9545-018-013	Screw, (Side Panel to Base) WCVD-40 & 55 & 75 .....	8
2	9545-018-018	Screw, (Side Panel to Base) WCVD-18 .....	6
2	8640-414-006	Nut, Hex 1/4-20 UNC WCVD-18 & 25 .....	6
2	8640-414-006	Nut, Hex 1/4-20 UNC WCVD-40 & 55 & 75 .....	8
3	9029-066-001	Bracket, Side Panel WCVD-18 & 25 & 40 .....	1
*	8640-413-002	Nut, Hex WCVD-18 & 25 & 40 .....	2
*	9545-008-031	Screw WCVD-18 & 25 & 40 .....	2
4	9454-659-001	Panel Assy, Front WCVD-25 .....	1
4	9454-671-001	Panel Assy, Front WCVD-55 .....	1
4	9454-763-001	Panel Assy, Front WCVD-75 .....	1
4	9454-728-001	Panel Assy, Front WCVD-18 .....	1
4	9454-669-001	Panel Assy, Front WCVD-40 .....	1
5	9059-063-002	Band, Edge Protector WCVD-25 & 40 & 55 & 75 .....	1
5	9059-063-004	Band, Edge Protector WCVD-18 .....	1
*	9051-053-001	Bumper Loading Door WCVD-75 .....	1
*	9545-008-024	Screw, Hex- To Control Panel .....	2
*	8640-399-005	Nut, Spring- To Control Panel 10/32 .....	2
6	9545-008-014	Screw, Flat Head- Front to Sides .....	2
6	8641-585-001	Washer, Finish .....	2
*	8640-399-008	Nut, Spring- To Front Panel .....	2
*	9545-008-023	Screw, Guide .....	2
7	8502-624-002	Label, Door Opening .....	1
8	9989-474-001	Panel, Control (Mounts Nameplate) WCVD-25, .....	1
8	9989-476-001	Panel, Control (Mounts Nameplate) WCVD-55, WCVD-75 .....	1
8	9989-473-001	Panel, Control (Mounts Nameplate) WCVD-18 .....	1
8	9989-475-001	Panel, Ccontrol (Mounts Nameplate) WCVD-40 .....	1
*	9545-008-026	Screw, Control Panel to Sides .....	4
9	9412-113-001	Nameplate Decal, Control Panel (one piece) WCVD-25 .....	1
9	9412-112-001	Nameplate Decal, Control Panel (one piece) WCVD-18 .....	1
9	9412-114-001	Nameplate Decal, Control Panel (one piece) WCVD-40 .....	1
9	9412-115-001	Nameplate Decal, Control Panel (one piece) WCVD-55 .....	1
9	9412-130-001	Nameplate Decal, Control Panel (one piece) WCVD-75 .....	1
10	9454-761-001	Panel Top Front WCVD-75 .....	1
10	9454-762-001	Panel Top Rear WCVD-75 .....	1
10	9454-736-001	Panel Top WCVD-55 .....	1
10	9454-733-001	Panel Top WCVD-18 .....	1
10	9454-735-001	Panel Top WCVD-40 .....	1
10	9454-734-001	Panel, Top WCVD-25 .....	1
11	8650-012-003	Lock, Top (w/Key) WCVD-18,WCVD-25,WCVD-40 .....	1
11	8650-012-003	Lock, Top (w/key) WCVD-55, WCVD-75 .....	2

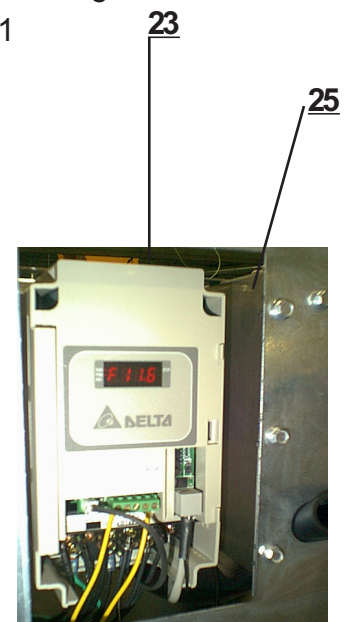
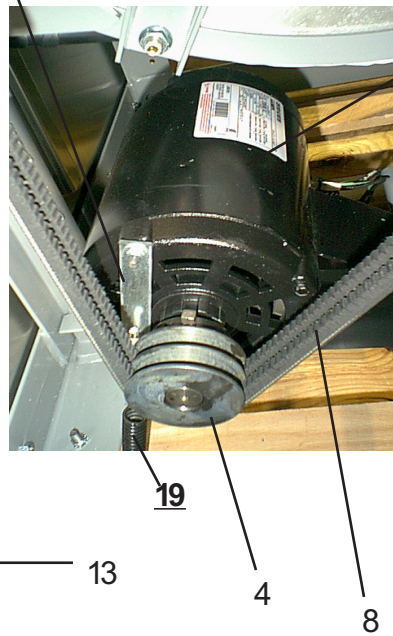
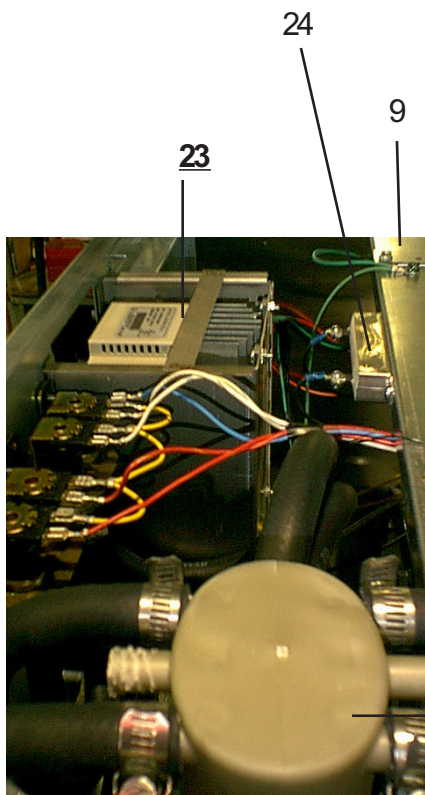
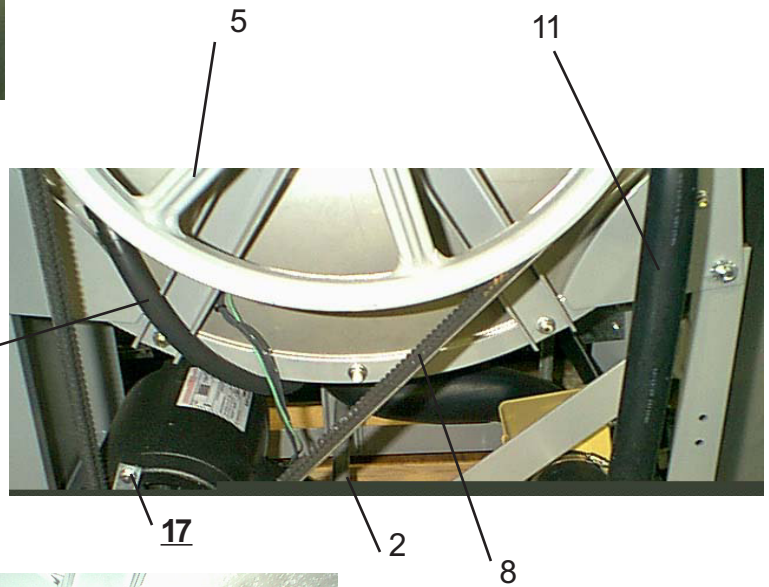
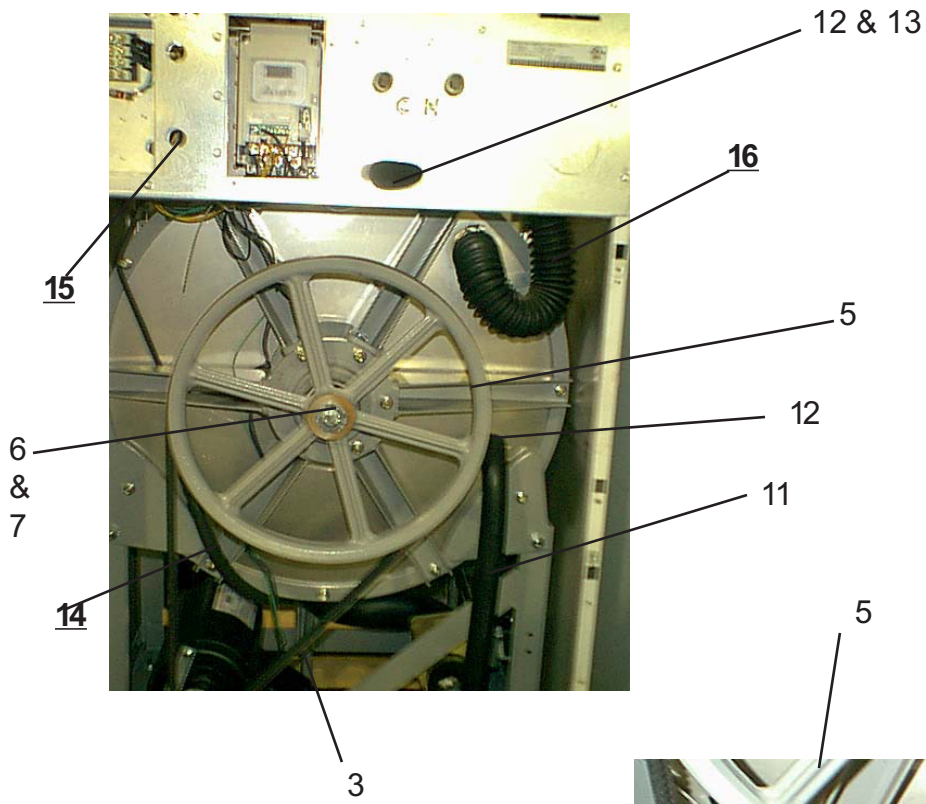
## CABINET AND FRONT PANEL GROUP CON'T

Key	Part Number	Description	
*	6292-006-007	Key, Top- # 6324 .....	1
*	9095-038-001	Cam, Lock-Top .....	1
*	8640-426-001	Nut, 9/32 .....	1
*	8641-581-008	Washer .....	1
12	9108-096-001	Door, Lower Service WCVD-18 .....	1
12	9108-099-001	Door, Lower Service WCVD-55,WCVD-75 .....	1
*	9108-097-001	Door, Lower Service WCVD-40 .....	1
12	9108-097-001	Door, Lower Service WCVD-25 .....	1
13	9244-081-001	Handle (bumper guard) WCVD-18 .....	1
13	9244-081-002	Handle (bumper guard) WCVD-40, WCVD-25 .....	1
13	9244-081-003	Handle (bumper guard) WCVD-55,WCVD-75 .....	1
*	9545-045-010	Screw .....	4
*	9545-008-023	Screw, Guide .....	2
14	9545-008-014	Screw Mtg., Flat Head .....	2
14	8641-585-001	Washer, Finish .....	2
*	8640-399-008	Nut, Spring .....	2
15	9108-095-005	Door, Dispenser WCVD-18,WCVD-25,WCVD-40,WCVD-55 .....	1
*	9451-191-001	Pin, PlainWCVD-18,WCVD-25,WCVD-40,WCVD-55 .....	2
*	9467-025-001	Post, Door MountingWCVD-18,WCVD-25,WCVD-40,WCVD-55 .....	2
*	9545-045-002	Screw, Disp.Post MtgWCVD-18,WCVD-25,WCVD-40,WCVD-55 .....	4
*	9545-008-012	Screw, Disp. Mtg. WCVD-18,WCVD-25,WCVD-40,WCVD-55 .....	4
*	8640-399-007	Nuts, SpringWCVD-18,WCVD-25,WCVD-40,WCVD-55 .....	4
*	9086-017-001	Catch, Top Panel .....	2
22	9467-024-001	Post, Top Locator .....	2
*	8640-411-003	Nut, Keps .....	2
23	9355-001-001	Locator, Panel .....	2
24	9545-008-025	Screw, #10 .....	2
16	9732-122-001	SS cover Box Assy, Coin (See Coin Handling Group) .....	1
17	9021-001-001	Acceptor, Coin (\$.25) (See Coin Handling Group) .....	1
18	9456-041-007	Plastic Plug 1 1/2"-(inside cylinder) .....	1
		WCVD-18,WCVD-25,WCVD-40 .....	1
20	9539-461-007	Switch Coin Blocking Safety .....	1
21	9950-060-001	Masking Ring with saftey switch opening WCVD25,40,55 .....	1
21	9950-059-001	Masking ring with saftey switch opening WCVD-18 .....	1
21	9950-060-002	Masking Ring with saftey switch opening WCVD-75 .....	1

\* Not Illustrated







## REAR VIEW WCVD-18,WCVD-25,WCVD-40

Key	Part Number	Description	
1	9376-305-001	Drive Motor, 3 Phase (Inverter duty) WCVD-25,WCVD-40 .....	1
1	9376-304-001	Drive Motor, 3 Phase (Inverter duty) WCVD-18 .....	1
2	9497-222-002	Rod, Motor Mtg WCVD-18,WCVD-25 .....	1
2	9497-222-004	Rod, Motor Mtg WCVD-14 .....	1
*	9545-029-005	Screw (end of motor rod) WCVD-18,WCVD-25,WCVD-40 .....	1
*	8641-582-014	Lockwasher (end of motor rod)WCVD-18,WCVD-25,WCVD-40 ..	1
3	9076-052-002	Collar, Shaft (w/set screws) .....	2
4	9453-170-003	Pulley, Motor WCVD-25,WCVD-40 .....	1
4	9453-169-012	Pulley, Motor WCVD-18 .....	1
*	9545-028-015	Set Screw,Sq.Hd(motor pulley)WCVD-18,WCVD-25,WCVD-40.	2
*	9487-234-001	Tolerance Ring WCVD-25 .....	1
*	9487-234-002	Tolerance Ring WCVD-18 .....	1
*	9487-234-003	Tolerance Ring WCVD-40 .....	1
5	9453-168-003	Pulley, Driven WCVD-40 .....	1
5	9453-168-004	Pulley, Driven WCVD-25 .....	1
5	9908-041-002	Pulley,Ass'y Driven WCVD-18 .....	1
6	9545-017-009	Screw 1/2-13x1 1/4" WCVD-18,WCVD-25 .....	1
7	8641-581-026	Washer, Flat 1/2" WCVD-18,WCVD-25 .....	1
6	8641-582-016	Lockwasher 1/2" WCVD-18,WCVD-25 .....	1
6	9545-060-001	Screw 5/8-11x1 1/2" WCVD-40 .....	1
7	8641-581-032	Washer, Flat 5/8x2 1/4" WCVD-40 .....	1
6	8641-582-018	Lockwasher 5/8" WCVD-40 .....	1
8	9040-076-004	Drive Belt WCVD-18 .....	1
8	9040-076-005	Drive Belt WCVD-25,WCVD-40 .....	2
9	9081-135-001	Channel, Rear WCVD-25 .....	1
9	9081-132-001	Channel, Rear WCVD-18 .....	1
9	9081-134-001	Channel, Rear WCVD-40 .....	1
10	9545-008-026	Screw .....	4
*	8640-399-008	Nut, Spring .....	4
11	9242-449-002	Hose, Overflow to drain WCVD-25 WCVD-40,WCVD-18 .....	1
12	9242-463-003	Hose, Overflow Vent 12 1/4" WCVD-40 .....	1
12	9242-463-001	Hose, Overflow Vent 9" WCVD-18 .....	1
12	9242-463-002	Hose, Overflow Vent 11" WCVD-25 .....	1
13	8654-117-008	Clamp, Hose Vent .....	1
13	8654-029-000	Clamp, Hose overflow to drain .....	2
*	9610-001-001	Vaccum Breaker ALL .....	1

\* Not Illustrated



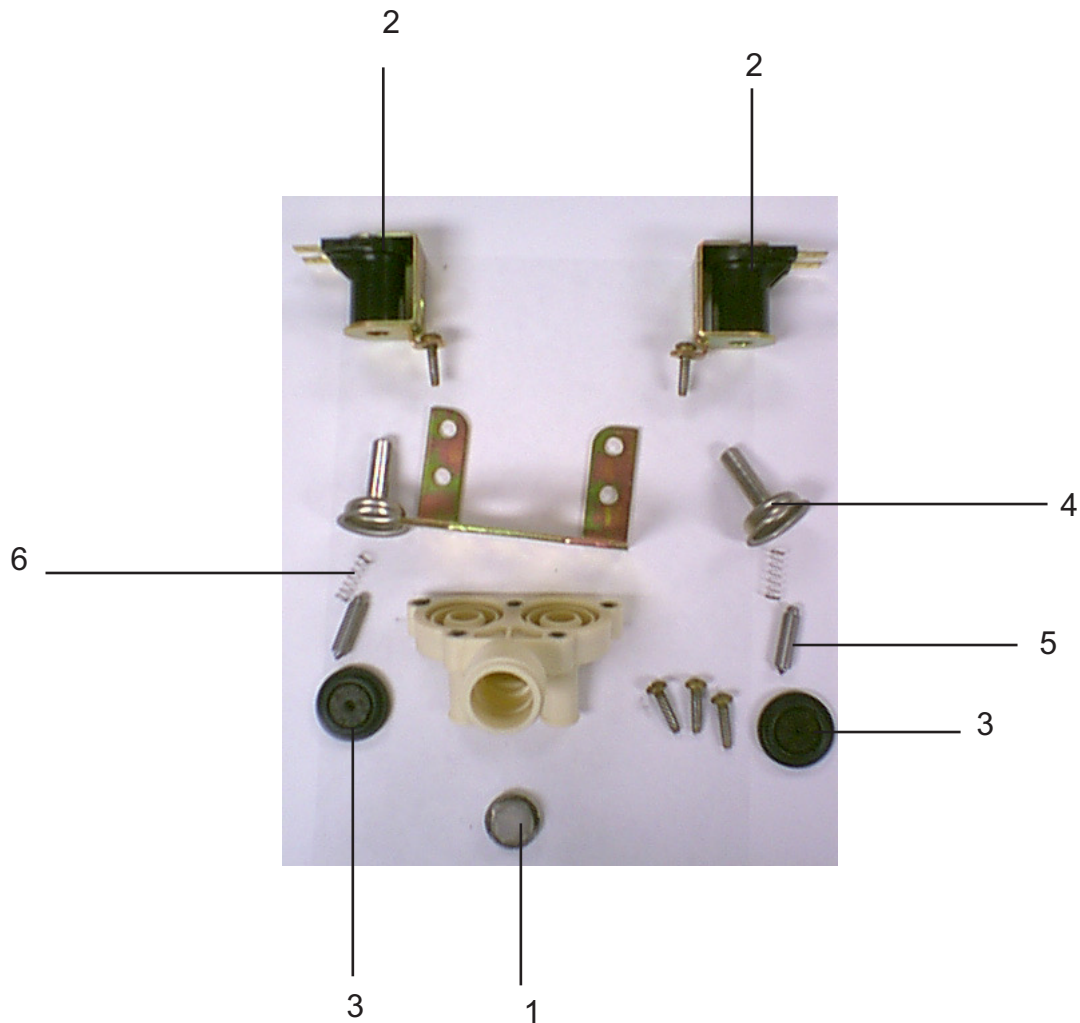
## REAR VIEW WCVD-18,WCVD-25,WCVD-40 CON'T

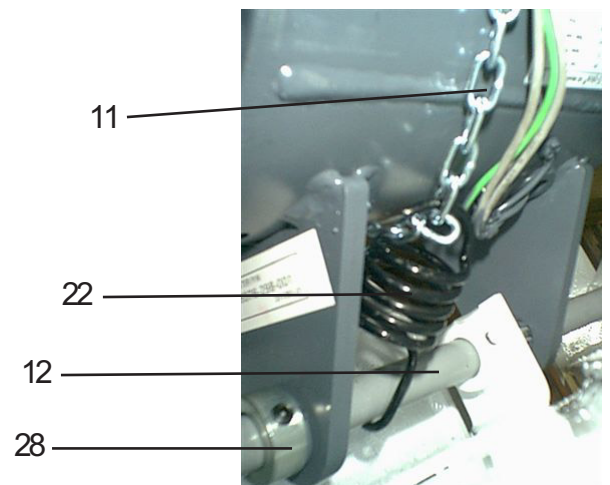
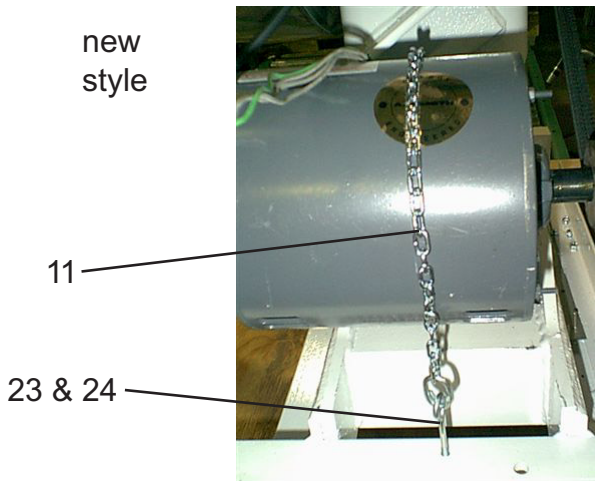
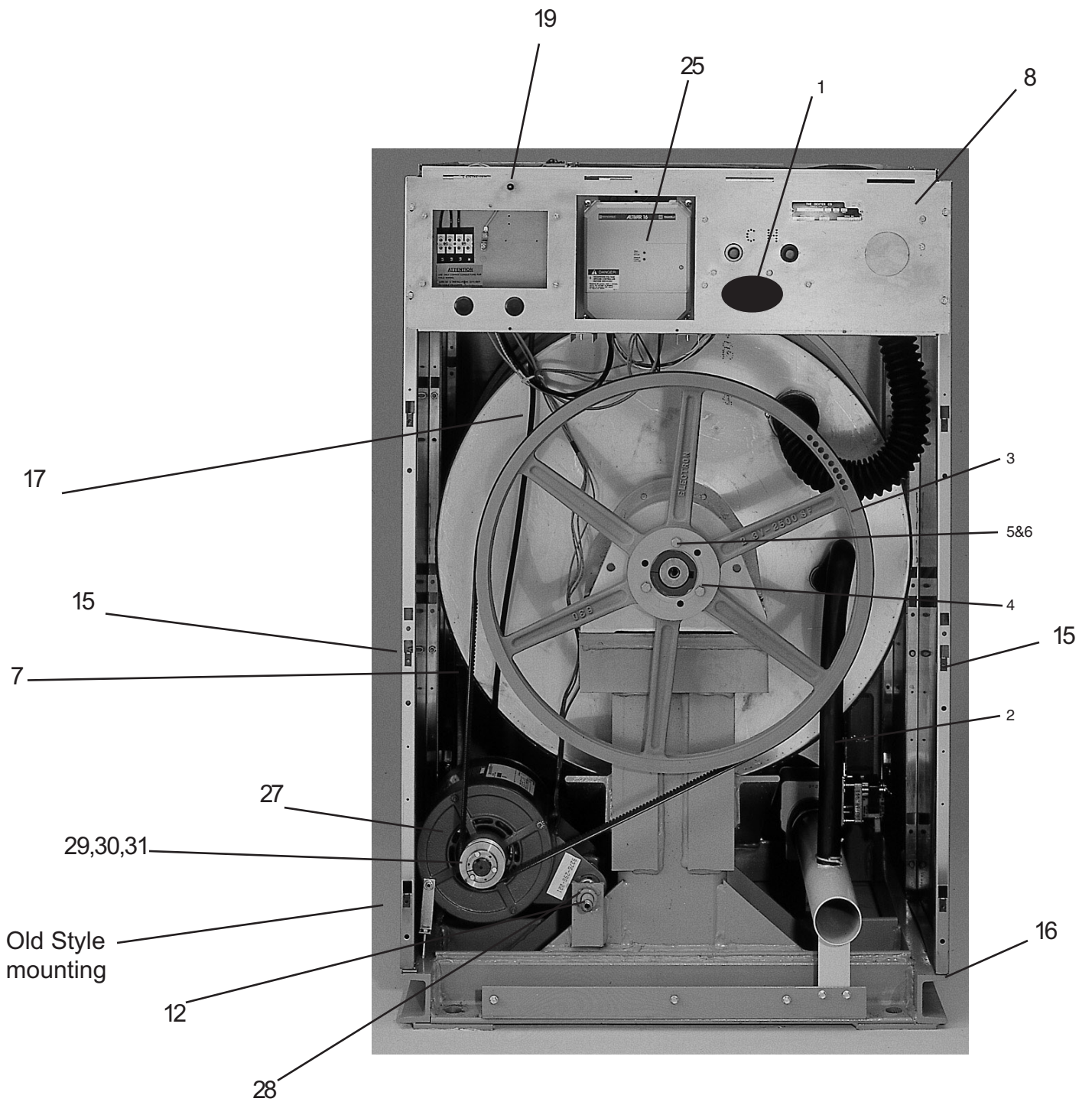
*	9989-446-002	Panel Assy., Back WCVD-25 .....	1
*	9989-446-001	Panel Assy, Back WCVD-40 .....	1
*	9454-632-001	Panel, Back WCVD-18 .....	1
*	9545-008-026	Screw Panel Mtg.#10Bx1/2" .....	10
*	8640-399-004	Nut, Spring WCVD-18,WCVD-25 .....	10
*	8640-399-008	Nut, Spring WCVD-40 .....	6
*	9545-030-002	Screw, to Base WCVD-40 .....	3
14	9242-175-000	Hose, Pressure Switch WCVD-18,WCVD-25 .....	1
14	9242-175-002	Hose, Pressure Switch WCVD-40 .....	1
*	8654-117-015	Clamp, Pressure Sw. Hose .....	1
15	5198-211-004	Circuit Breaker, 1.5 amp                    optional .....	0
*	9200-001-002	Fuseholder .....	1
*	8636-018-001	Fuse 1.5 amp .....	1
16	9242-458-001	Hose, Vacuum Breaker to tub WCVD-18 .....	1
16	9242-458-002	Hose, Vacuum Breaker to Tub WCVD-25, WCVD-40 .....	1
*	8654-117-014	Clamp, Hose to Vacuum Breaker WCVD-18, WCVD-40 .....	1
*	8654-117-008	Clamp, Hose to Vacuum Breaker WCVD-25 .....	1
17	9029-027-003	Strap Bracket, Motor Tension .....	1
18	8640-413-002	Nut, Strap to Motor .....	1
18	8641-581-006	Washer .....	1
19	9534-319-002	Spring, Belt Tension .....	1
20	9545-055-001	Bolt, Eye ( 1/4"-20x1/2") .....	1
21	8640-414-003	Nut, 1/4 Elastic Stop .....	1
23	9375-004-002	VFD Delta "S" drive WCVD-18-10 120 volt .....	1
23	9375-005-002	VFD Delta "S" drive WCVD-18-12 .....	1
23	9375-007-002	VFD Delta "S" drive WCVD-25 .....	1
23	9375-007-003	VFD Delta "S" drive WCVD-40 .....	1
24	9483-004-002	Braking resistors ( 200 ohm ) WCVD-18 .....	1
24	9483-004-002	Braking resistors ( 200 ohm ) WCVD-25,WCVD-40 .....	2
25	9985-177-001	Bracket ass'y(drive mounting) WCVD-25,WCVD-40,WCVD-18 ..	1

# WATER INLET VALVE BREAKDOWN

## WCVD-18, WCVD-25, WCVD-40, WCVD-55

Key	Part Number		Description
*	9379-183-003	Valve, Water Inlet (includes 1 thru 6) .....	2
1	9555-056-001	Screen, Inlet end of valve .....	2
2	9089-017-001	Coil Assy., 120 V .....	2
3	9118-049-001	Diaphragm .....	2
4	9211-021-002	Guide, Solenoid .....	2
5	9015-008-001	Armature .....	2
6	9534-298-001	Spring, Armature .....	2
*	9545-008-026	Screw, Valve Mtg .....	2
<b>WCVD-75</b>			
*	9379-192-001	Valve, Water Inlet double outlet .....	2
*	9379-194-001	Valve, Water Inlet single outlet .....	2



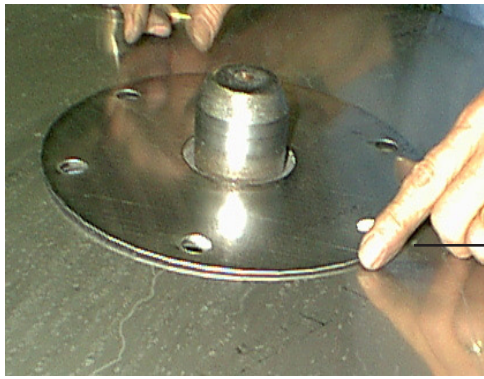


## REAR VIEW 55LB. ,75 LB.

*	9989-455-001	Panel Assy., Back WCVD-55 .....	1
*	9989-491-001	Panel Assy, Back WCVD-75 .....	1
*	9545-008-026	Screw Panel Mtg.#10Bx1/2" WCVD-55 .....	9
*	9545-008-026	Screw Panel Mtg.#10Bx1/2" WCVD-75 .....	13
15	8640-399-008	Nut, Spring WCVD-55 .....	6
15	8640-399-008	Nut, Spring WCVD-75 .....	10
16	9545-030-002	Screw, to Base 1/4Bx3/4" WCVD-55,WCVD-75 .....	3
17	9242-175-003	Hose, Pressure Switch WCVD-55 .....	1
17	9242-175-006	Hose, Pressure Switch WCVD-75 .....	1
*	8654-117-015	Clamp, Pressure Sw. Hose .....	1
19	5198-211-004	Circuit Breaker, 1.5 amp WCVD-55 optional .....	0
*	9200-001-002	Fuseholder .....	1
*	8636-018-001	Fuse 1.5 amp WCVD-55 .....	1
*	8636-018-004	Fuse 2.5 amp WCVD-75 .....	1
20	9242-458-003	Hose, Vacuum Breaker to tub WCVD-55, WCVD-75 .....	1
*	8654-117-014	Clamp, Hose to Vacuum Breaker WCVD-75, WCVD-55 .....	1
11	9099-012-003	Chain ( Spring Tension) WCVD-55 .....	1
11	9099-012-004	Chain ( Spring Tension) WCVD-75 .....	1
22	9534-151-000	Spring, Belt Tension .....	1
23	9545-055-001	Bolt, Eye ( 1/4"-20 x 2 1/2") .....	1
24	8640-414-003	Nut, 1/4 Elastic Stop .....	1
25	9375-009-002	VFD Delta "S" drive WCVD-55 .....	1
25	9375-009-005	VFD Delta "S" drive WCVD-75 .....	1
*	9483-004-003	Braking resistors ( 160 ohm ) 55lb.,75lb. ....	2
*	9985-115-001	Bracket ass'y(drive mounting) WCVD-55 .....	1
	<b>9029-150-001</b>	<b>Bracket ass,y (drive mounting) WCVD-75 .....</b>	<b>1</b>
27	9376-298-001	Drive Motor WCVD-55, WCVD-75 3 phase inverter dot .....	1
12	9497-222-004	Rod, Motor Mtg WCVD-55,WCVD-75 .....	1
12	9545-029-005	Screw (end of motor rod) .....	1
12	8641-582-014	Lockwasher (end of motor rod) .....	1
28	9076-052-002	Collar, Shaft (w/set screws) .....	2
29	9453-175-002	Pulley, Motor WCVD-75,WCVD-55 .....	1
30	9053-077-001	Bushing, Split Taper WCVD-55,WCVD-75 .....	1
31	9545-018-021	Screw WCVD-75 .....	3
31	9545-018-024	Screw WCVD-55 .....	3
4	9242-463-004	Hose, Overflow Vent 14" WCVD-75,WCVD-55 .....	1
2	9242-449-003	Hose, Overflow to drain WCVD-75, WCVD-55 .....	1
3	9453-176-005	Pulley, Driven WCVD-55,WCVD-75 .....	1
4	9053-078-002	Bushing, Taper WCVD-55,WCVD-75 .....	1
5	9545-029-011	Screw .....	3
6	8641-582-003	Lockwasher .....	3
7	9040-079-003	Drive Belt WCVD-75, .....	1
7	9040-079-002	Drive Belt WCVD-55 .....	1
8	9081-140-001	Channel, Rear WCVD-75 .....	1
8	9081-109-001	Channel, Rear WCVD-55 .....	1
9	9545-008-026	Screw .....	4
9	8640-399-008	Nut, Spring .....	4
10	8654-029-000	Clamp, Hose .....	2
11	9341-046-001	Link, Chain .....	1

\* Not Illustrated

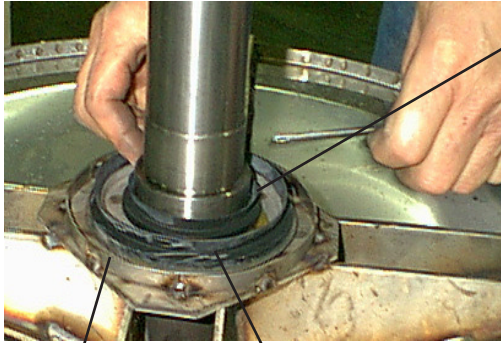




11



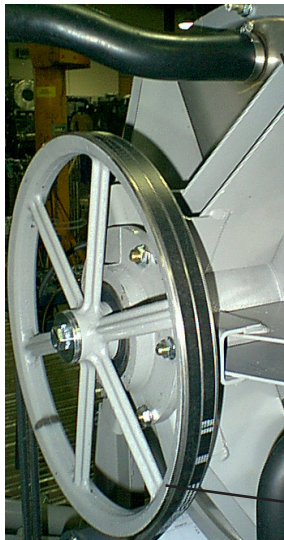
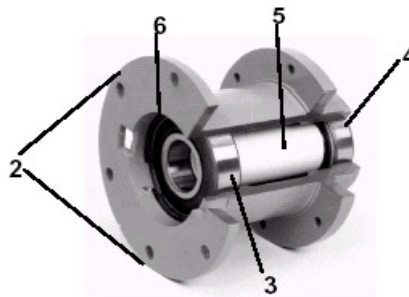
13



8

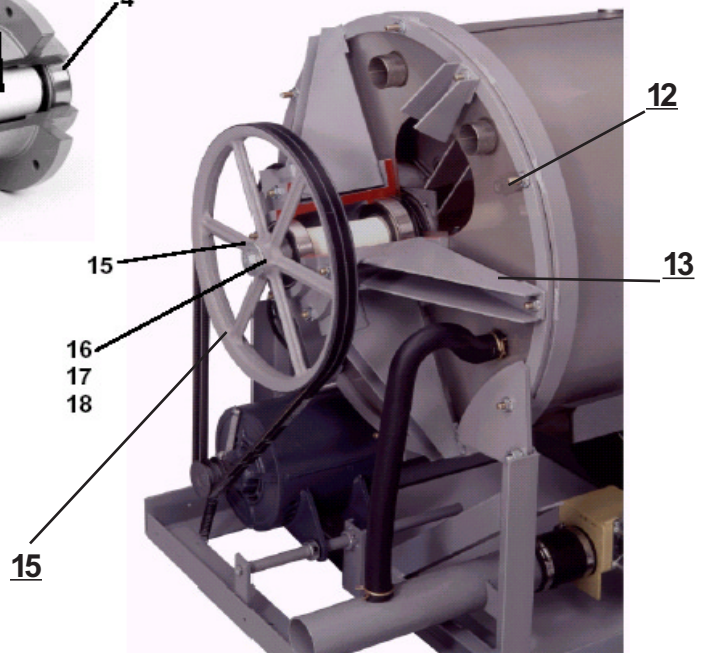
10

9



7

15



12

13

15

16

17

18

15



# CYLINDER, WATER SEALS & BEARING HOUSING GROUP

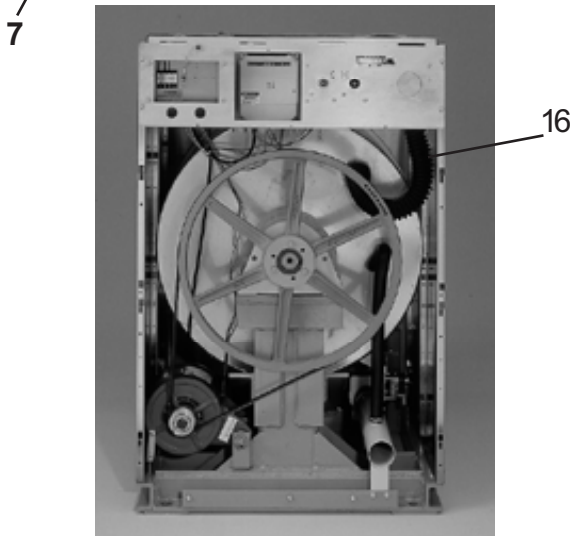
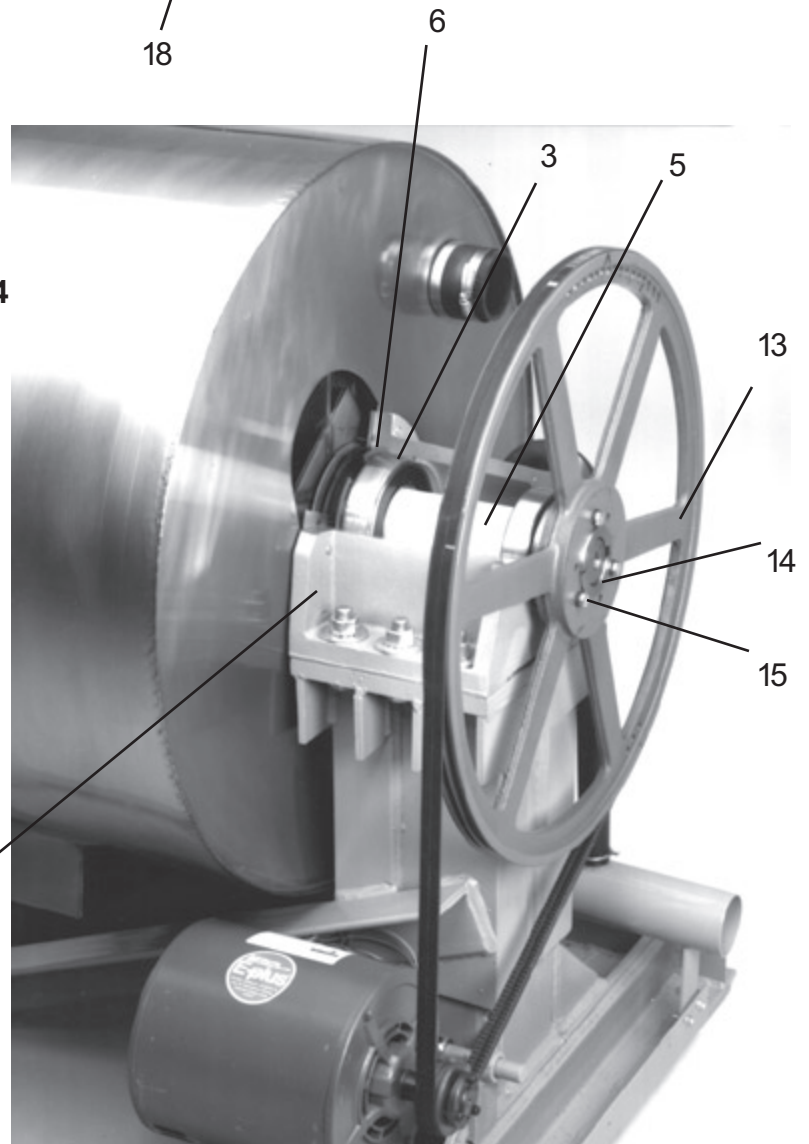
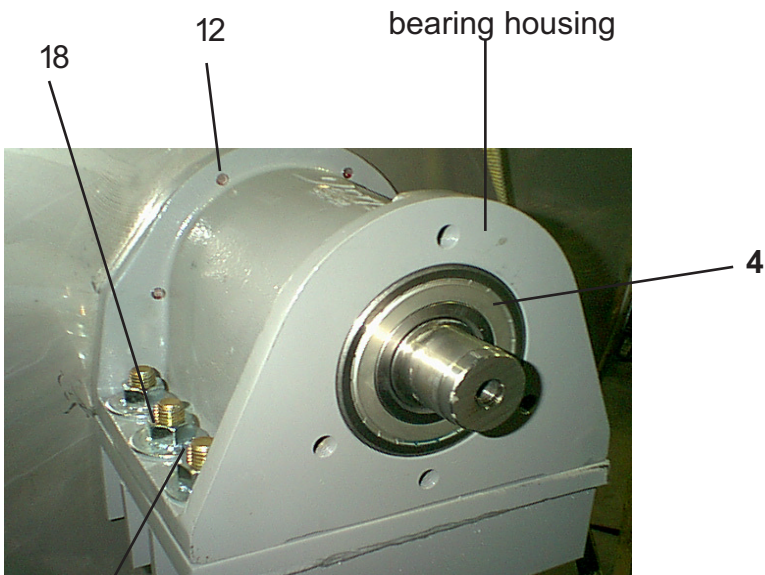
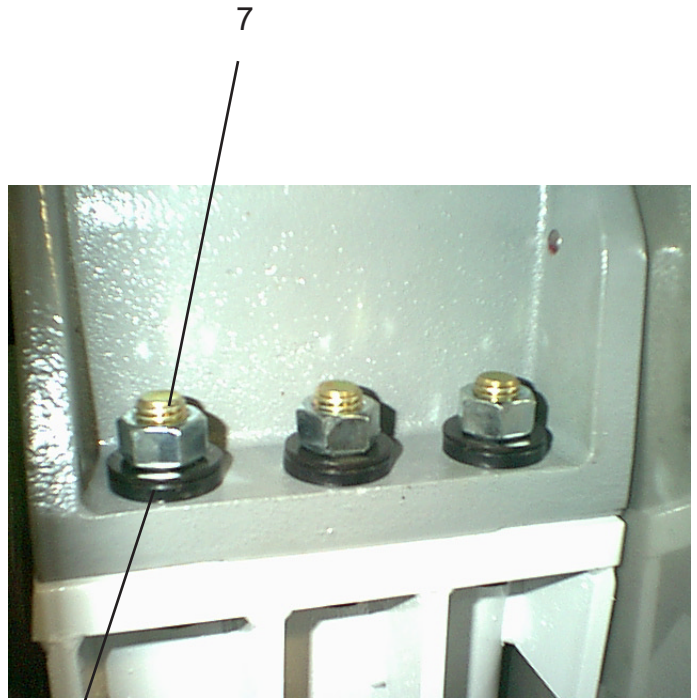
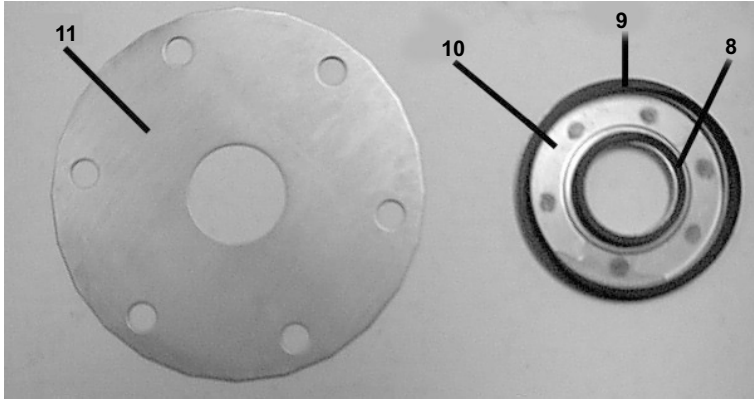
## 18 LB. , 25 LB. , 40LB .

Key	Part Number .....	Description
*	9803-179-002	Housing, Bearing- Assembly (includes items #2-#6)WCVD-25, ... 1
2	9241-169-002	Housing, Bearing ..... 1
3	9036-159-002	Bearing, Front ( LARGE ) ..... 1
4	9036-159-001	Bearing, Rear ( SMALL ) ..... 1
5	9538-158-001	Spacer, Bearing ..... 1
6	9487-238-001	Ring, Bearing Retainer ( internal type ) ..... 1
*	9803-182-001	Housing, Bearing- Assembly (includes items #2-#6) WCVD-18 ..... 1
2	9241-174-002	Housing, Bearing ..... 1
3	9036-159-001	Bearing, Front ( LARGE ) ..... 1
4	9036-159-003	Bearing, Rear ( SMALL ) ..... 1
5	9538-161-001	Spacer, Bearing ..... 1
6	9487-238-002	Ring, Bearing Retainer ..... 1
*	9803-186-001	Housing, Bearing- Assembly (includes items #2-#6) WCVD-40 ..... 1
2	9241-180-002	Housing, Bearing ..... 1
3	9036-159-005	Bearing, Front( LARGE ) ..... 1
4	9036-159-004	Bearing, Rear ( SMALL ) ..... 1
5	9538-167-001	Spacer, Bearing ..... 1
6	9487-238-003	Ring, Bearing Retainer ( Internal ) ..... 1
7	9732-137-001	Back Assy, Tub 2 piece WCVD-18 ..... 1
7	9732-137-002	Back Assy, Tub 2 piece WCVD-25 ..... 1
7	9732-137-003	Back Assy, Tub 2 piece WCVD-40 ..... 1
9	9532-140-004	Seal, Primary WCVD-18 ..... 1
8	9532-140-005	Seal, Secondary WCVD-18 ..... 1
8	9532-140-003	Seal, Secondary WCVD-25 ..... 1
9	9532-140-002	Seal, Primary WCVD-25 WCVD-40 ..... 1
8	9532-140-006	Seal, Secondary WCVD-40 ..... 1
10	9950-047-001	Ring, Seal Mounting WCVD-18 ..... 1
10	9950-042-001	Ring, Seal Mounting WCVD-25 ..... 1
10	9950-048-001	Ring, Seal Mounting WCVD-40 ..... 1
11	9487-261-001	Tub Back Mating Ring WCVD-18 ..... 1
11	9487-261-002	Tub Back Mating Ring, WCVD-25 ..... 1
11	9487-261-003	Tub Back Mating Ring, WCVD-40 ..... 1
12	9545-017-009	Bolt, 1/2" Tub End of Bearing Housing ( 1/2" x 1 1/4" ) WCVD-25 .. 6
12	8640-417-002	Nut 1/2' ..... 6
12	8641-582-016	Lockwasher 1/2" ( ext. tooth) ..... 6
12	9545-060-001	Bolt 5/8-11x1 1/2" Tub end of bearing housing WCVD-40 ..... 6
12	8640-425-001	Nut 5/8" ..... 6
12	8641-582-018	Lockwasher 5/8" ..... 6
13	9991-049-002	Support Arm Assy, Bearing Housing WCVD-18 ..... 6
13	9991-048-002	Support Arm Assy, Bearing Housing WCVD-25 ..... 6
13	9991-056-002	Support Arm Assy, Bearing Housing WCVD-40 ..... 6
16	9545-029-003	Bolt Pulley End of Bearing Housing ( 3/8" x 1 1/2" ) WCVD-25 .... 6
16	8640-415-004	Nut, Flange Locking 3/8" WCVD-25 ..... 6
16	9545-059-003	Bolt Pulley end of bearing housing 7/16-14x2" WCVD-40 ..... 6
16	8640-416-005	Nut, Flange Locking 7/16" WCVD-40 ..... 6
15	9453-168-003	Puley, Driven WCVD-40 ..... 1
15	9453-168-004	Pulley, Driven WCVD-25 ..... 1
15	9908-041-002	Pulley, Driven WCVD-18 ..... 1
*	9487-234-001	Ring, Tolerance WCVD-25 Between shaft and pulley ..... 1
*	9487-234-002	Ring, Tolerance WCVD-18 Between shaft and pulley ..... 1
*	9487-234-003	Ring, Tolerance WCVD-40 Between shaft and pulley ..... 1
16	8641-581-026	Washer 1/2" WCVD-18,WCVD-25 ..... 1
17	9545-017-009	Bolt 1/2-13 x 1 1/4") ..... 1
18	8641-582-016	Lockwasher 1/2" Ext. tooth ..... 1
16	8641-060-001	Bolt 5/8-11x11/2" WCVD-40 ..... 1
17	8641-581-032	Washer 5/8" ..... 1
18	8641-582-018	Lockwasher 5/8 Ext. tooth ..... 1

## CYLINDER, WATER SEALS & BEARING HOUSING GROUP 55LB. & 75LB.

Key	Part Number	Description	
1	9848-116-001	Cylinder, Assy WCVD-55 .....	1
1	9848-125-001	Cylinder, Assy WCVD-75 .....	1
*	9869-009-001	Tub and Cylibnder Assy. WCVD-55 .....	1
*	9869-015-001	Tub and Cyclinder Assy. WCVD-75 .....	1
*	9803-187-001	Housing&Bearing Assembly WCVD-55,WCVD-75(includes items #2-#6)	1
2	9241-181-004	Housing, Bearing .....	1
3	9036-159-006	Bearing, Front .....	1
4	9036-159-005	Bearing, Rear .....	1
5	9538-170-001	Spacer, Bearing .....	1
6	9487-238-004	Ring-Retainer, Internal .....	1
7	9545-057-002	Screw, Bearing Housing, 3/4-10 x 3 WCVD-55,WCVD-75 .....	6
7	8641-581-033	Washer, Flat- To Frame WCVD-55 .....	6
7	8641-582-020	Washer, External Tooth WCVD-55 .....	6
7	8640-418-003	Nut 3/4-10 WCVD-55,WCVD-75 .....	6
8	9532-140-008	Seal, Secondary (small) WCVD-55,WCVD-75 .....	1
9	9532-140-007	Seal, Primary (large) WCVD-55,WCVD-75 .....	1
10	9950-052-001	Ring, Seal Mtg WCVD-55,WCVD-75 .....	1
11	9487-261-004	Ring, Seal Tub Back WCVD-55,WCVD-75 .....	1
12	9545-059-004	Screw, 7/16-14 x 1 SS (Tub Back to Bearing Housing) WCVD-55,WCVD-75	6
12	8641-581-034	Washer, Flat WCVD-55,WCVD-75 .....	6
13	9453-176-005	Pulley, Driven WCVD-55,WCVD-75 .....	1
14	9053-078-002	Bushing, Taper WCVD-55,WCVD-75 .....	1
15	9545-029-011	Screw 3/8-16-2 .....	3
15	8641-582-003	Lockwasher spring 3/8 .....	3
16	9241-466-002	Hose, Fill 19" WCVD-75 .....	2
17	8654-117-017	Clamp .....	4
18	8641-588-001	Washers Spherical 3/4 (Male half) WCVD-75 Required .....	6
18	8641-588-002	Washers Spherical 3/4 (Female half) WCVD-75 Required .....	6

\* Not Illustrated



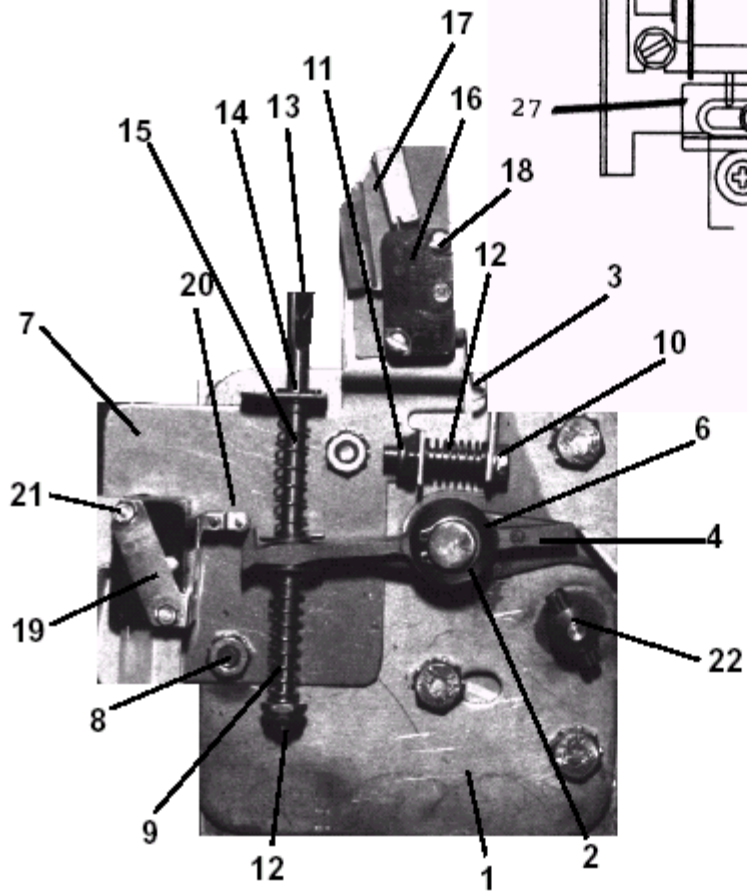
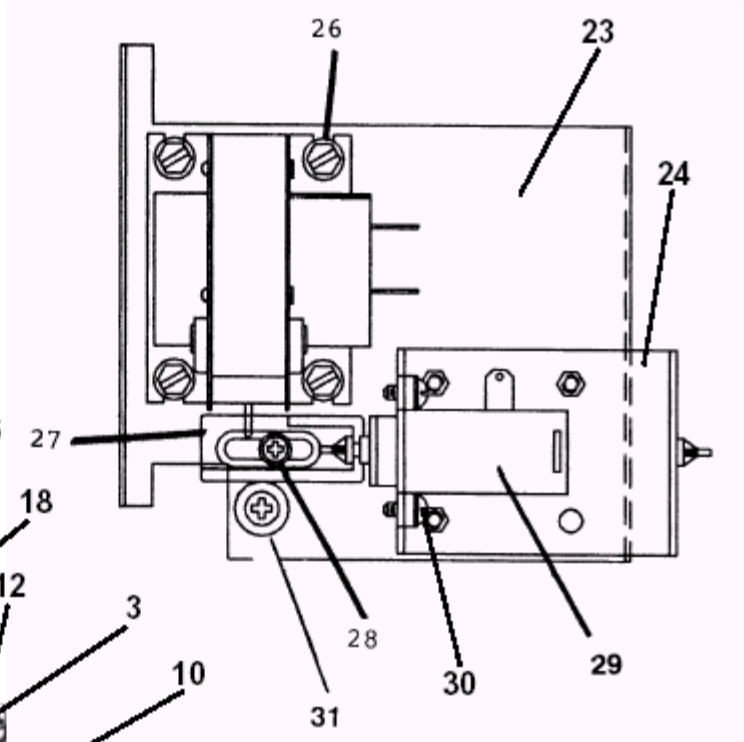
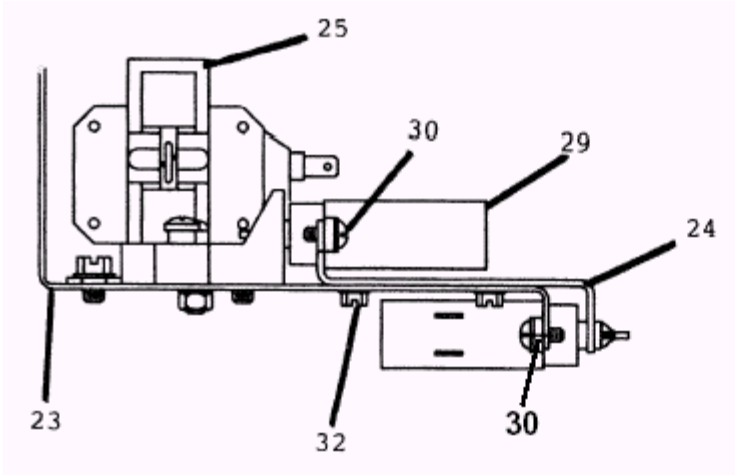
# DOOR LOCK GROUP ALL MODELS

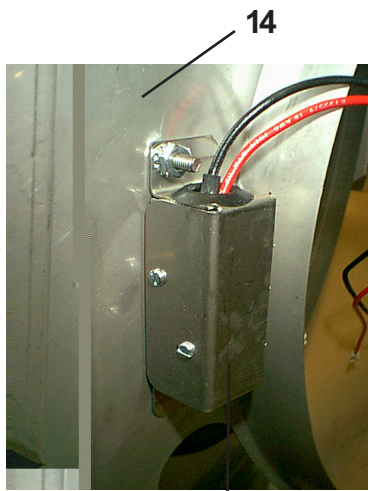
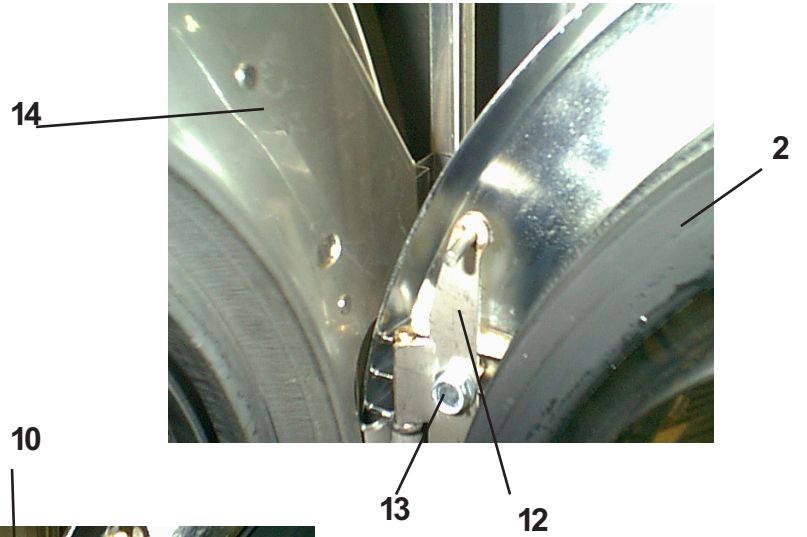
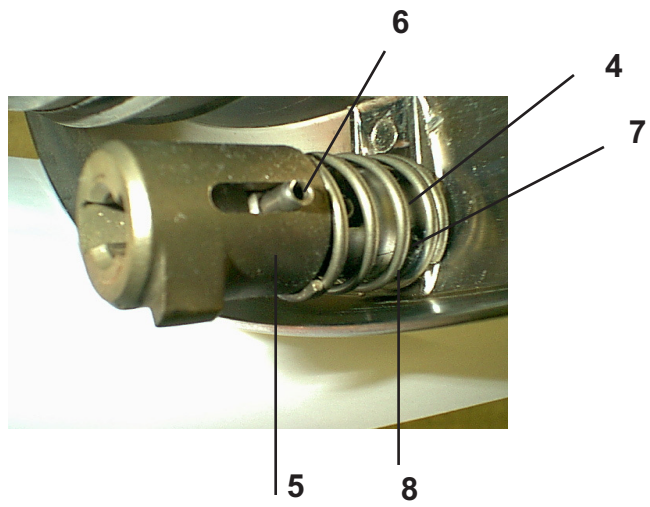
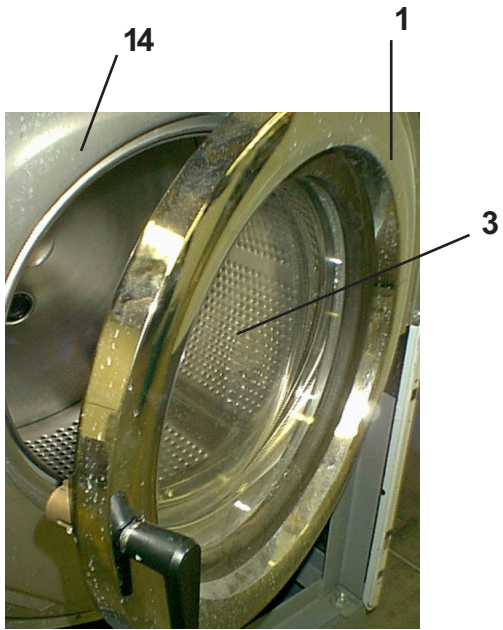
WCVD-18 , WCVD-25, WCVD-40, WCVD-55, WCVD-75

Key	Part Number	Description	
*	9885-023-001	Lock Assy, Complete (includes #1 thru #22) .....	1
1	9982-284-001	Plate Assy, Door Lock .....	1
2	8641-581-030	Washer, Flat .....	1
3	9008-005-001	Actuator, Latching Switch .....	1
4	9450-002-002	Pawl, Locking .....	1
5	8641-569-003	Washer, Spring .....	1
6	9487-200-004	Ring, Retaining .....	1
7	9029-035-001	Bracket, Switch .....	1
8	8640-413-002	Nut, Hex 10-32 UNF .....	2
9	9534-364-002	Spring, Actuating .....	1
10	9545-012-020	Screw, Hx. 10-32 x 1" .....	1
11	8640-413-004	Nut, Elastic Stop 10-32 .....	2
12	9534-364-001	Spring, Return .....	2
13	9451-193-001	Pin, Guide .....	1
14	9487-200-005	Ring, Retaining .....	1
15	8641-581-031	Washer .....	2
16	9539-461-008	Switch, Latching Sensing .....	1
17	9550-169-003	Shield, Switch .....	3
18	9545-020-001	Screw 4-40 x 5/8" .....	2
18	8640-401-001	Nut, Twin .....	1
19	9539-461-007	Switch, Locking Sensing .....	2
20	9008-006-002	Actuator, Switch .....	2
21	9545-020-003	Screw 4-40 x 1 1/8" .....	2
21	8640-401-001	Nut, Twin 4-40 .....	1
22	9451-181-004	Pin, Dowel .....	1
*	9552-037-001	Shim, Door Lock, Thin .....	AR
*	9552-037-002	Shim, Door Lock, Thick .....	AR
*	9545-018-004	Screw, Lock mtg 1/4"-20 x 3/4" .....	3
*	8641-582-007	Lockwasher 1/4" Ext tooth .....	3
*	9922-011-001	Solenoid Ass'y, Door Locking (includes 23 thru 32) .....	1
23	9029-073-001	Bracket, (Door Locking Solenoid) .....	1
24	9985-169-001	Bracket Ass'y, Solenoid Slide .....	1
25	9536-074-001	Solenoid 120V 60 hz .....	1
26	9545-008-001	Screw, Solenoid Mtg .....	4
27	9540-033-002	Stop, Door Lock Solenoid .....	1
28	9545-061-001	Screw, Shoulder .....	1
28	8640-411-003	Nut, Keps #6 .....	1
29	9586-001-001	Thermoactuator 120 V .....	2
30	9545-031-011	Screw #6 x 5/16" .....	4
31	9538-157-004	Spacer, Plastic .....	1
31	9538-166-004	Spacer, Metal .....	1
31	9545-010-001	Screw, Cross Recessed .....	1
31	8640-412-005	Nut, Keps #8 .....	1
32	8640-411-003	Nut, Keps #6 .....	1
*	8640-412-005	Nut, Sol. Brkt. to Control Panel .....	3
*	9497-225-006	Rod, Pull .....	1

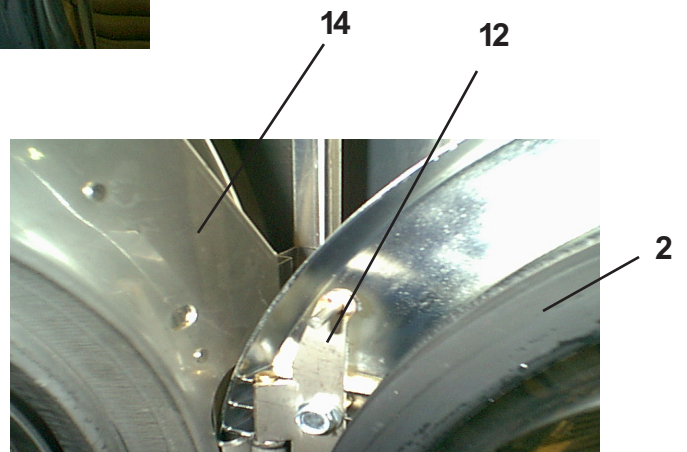
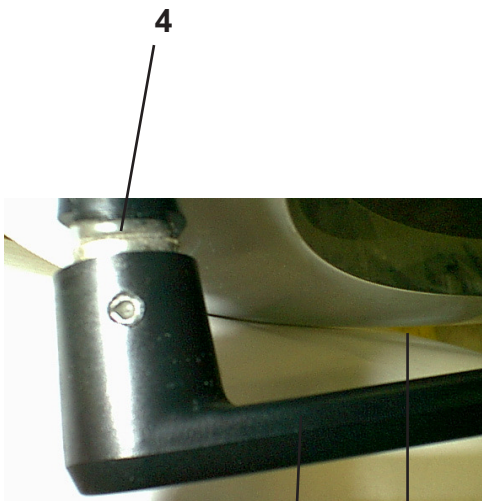
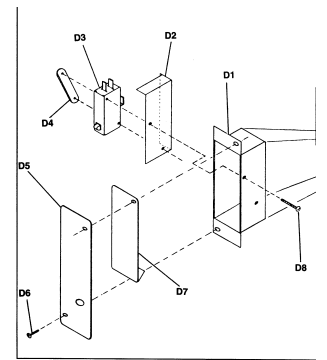
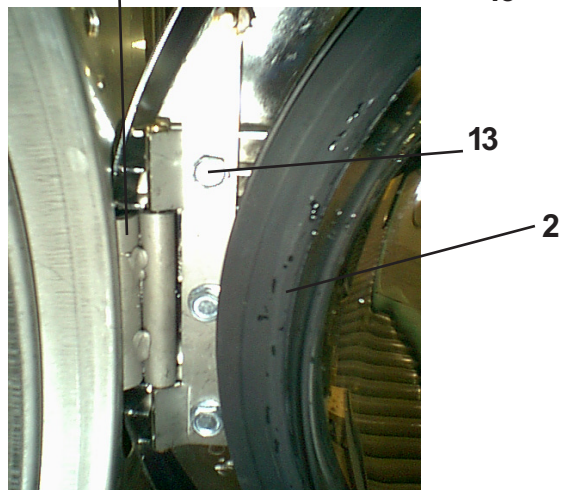
\* Not Illustrated







switch box



# LOADING DOOR GROUP 25LB.,40LB.,55LB.

WCVD25KCS, WCVD40KCS, WCVD55KCS

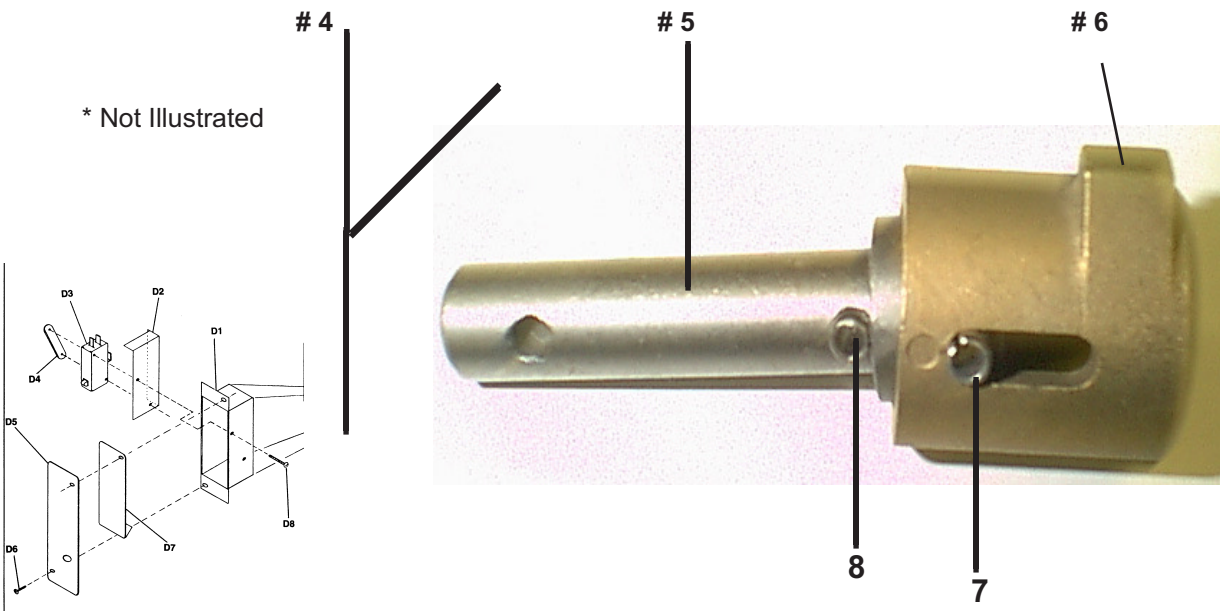
Key	Part Number	Description	
*	9960-274-002	Loading Door, Complete (includes 1 thru 10) .....	1
1	9487-265-001	Loading Door, Ring .....	1
2	9206-419-001	Gasket, Loading Door .....	1
3	9635-016-001	Window, Loading Door .....	1
*	9913-134-003	Shaft Assy, Locking (includes 4 thru 7) .....	1
4	9537-195-002	Shaft, Door Locking .....	1
5	9095-040-001	Cam, Locking .....	1
6	9451-181-005	Pin, Groove (1 1/4) .....	1
7	9451-181-004	Pin, Groove (3/4) .....	1
8	9534-360-002	Spring, Lock Cam .....	1
9	9244-080-003	Handle, Door .....	1
*	9451-181-006	Pin, Door Handle (groove) .....	1
10	9955-029-002	Loading Door Hinge Assy ( mounts to Tub Front ) .....	1
*	9545-014-009	Screw, Hinge Mtg 5/16" x 3/4" .....	3
*	8641-582-009	Lockwasher 5/16" Ext tooth .....	3
*	9552-036-001	Shim, Loading Door Hinge, Thin .....	AR
*	9552-036-002	Shim, Loading Door Hinge, Thick .....	AR
11	9451-184-004	Door Hinge Pin(mounts inside Loading Door Hinge Assy) .....	1
*	8649-031-000	Ring, Retaining ( snap ring ext ) .....	1
12	9079-122-002	Loading Door Hinge Clamp ( mounts to door ring ) .....	1
13	9545-056-001	Screw, Loading Door Mtg 5/16" Theard Forming) .....	3
14	9950-060-001	Ring, Masking .....	1
*	9059-063-002	Band, Edge ( mounts to Front Panel ) .....	1
*	8640-413-002	Nut, Kepsfor mounting masking ring .....	4
*	9627-791-003	Wiring Harness doorlock safety switch .....	1
*	9801-089-001	Switch assembly Door Closure includes all ** .....	1
D1	9041-087-001	Switch Box .....	1
**	9053-067-003	Bushing Insulating .....	1
D3	9539-461-007	Switch Micro .....	1
D2	9550-159-001	Switch Shield .....	1
D4	8640-401-001	Nut Special Twin #4-40 .....	1
D8	9545-020-001	Screw 4-40x5/8 .....	2
D7	9008-004-001	Door Switch Actuator .....	1

\* Not Illustrated

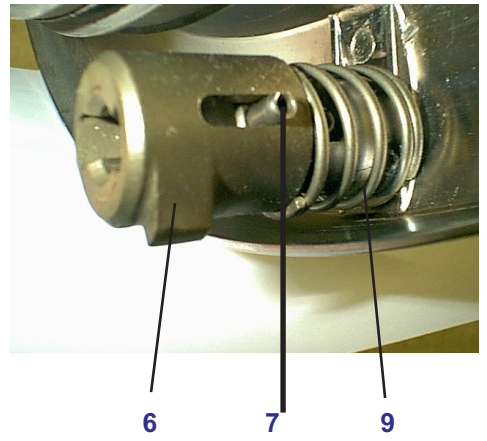
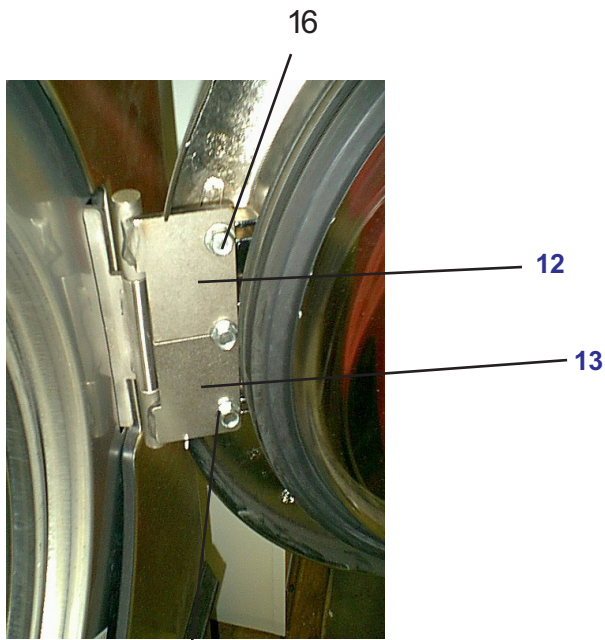
# LOADING DOOR GROUP 75LB.

## 180° DOOR DESCRIPTION

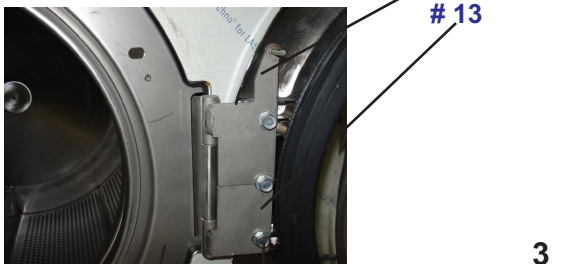
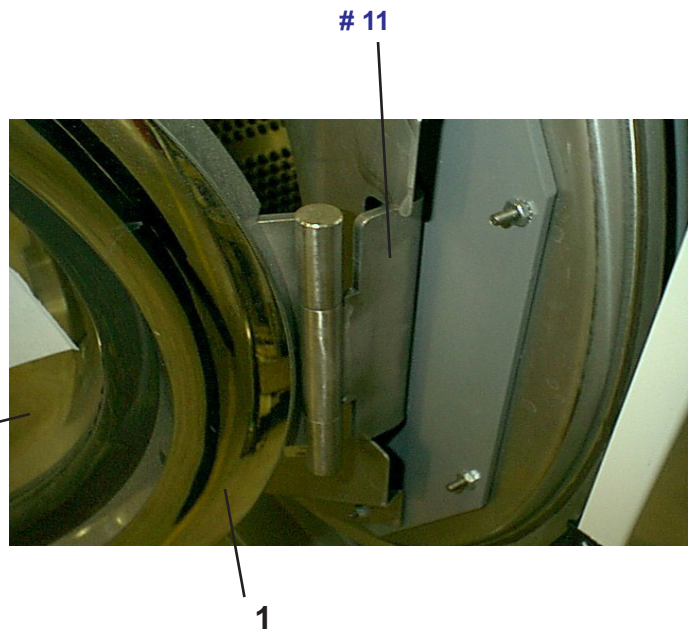
KEY	PART NUMBER	DESCRIPTION	
*	9960-274-004	Loading Door, Complete ( includes #1thru #10)	.1
1	9487-265-002	Loading Door Ring 180 degree.....	.1
2	9206-419-001	Gasket, Loading Door.....	1
3	9635-016-001	Window, Loading Door.....	.1
4	9913-134-003	Shaft Assy. Locking (includes #5 thru #8).see below.....	1
5	9537-195-002	Shaft, Door Locking.....	.1
6	9095-040-001	Cam, Locking.....	1
7	9451-181-005	Pin, Groove (1 1/4 ).....	.1
8	9451-181-005	Pin, Groove (3/4).....	1
9	9534-360-002	Spring, Lock Cam .....	1
10	9244-080-003	Handle, Door .....	.1
17	9451-181-006	Roll Pin, Door Handle (groove) .....	1
11	9955-030-001	Hinge Assy, Loading Door ( mounts to tub front )....	.1
*	9545-014-009	Screw, Hinge Mtg.....	3
*	8641-582-009	Lockwasher.....	3
*	9552-036-001	Shim, Loading Door Hinge, Thin.....	.AR
*	9552-036-002	Shim, Loading Door Hinge, Thick.....	.AR
12	9845-005-003	Top, Loading Door Leaf Hinge.with pin.....	1
13	9845-005-002	Bottom, Loading Door Leaf Hinge .....	1
16	9545-056-002	Screw, Loading Door Hinge Mtg. ....	3
15	9950-060-002	Ring, Masking w door switch hole .....	1
*	8640-413-002	Nut.....	.4
*	9059-063-002	Band Edge Protector .....	.1
*	9801-089-001	Switch assembly Door Closure	1
D1	9041-087-001	Switch Box	1
*	9053-067-003	Bushing Insulating	1
D3	9539-461-007	Switch Micro	1
D2	9550-159-001	Switch Shield	1
D4	8640-401-001	Nut Special Twin #4-40	1
D8	9545-020-001	Screw 4-40x5/8	2
D7	9008-004-001	Door Switch Actuator	1



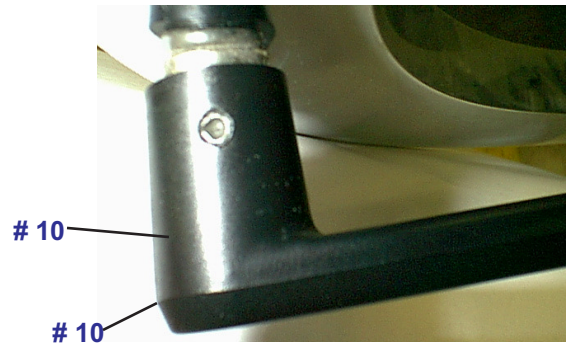
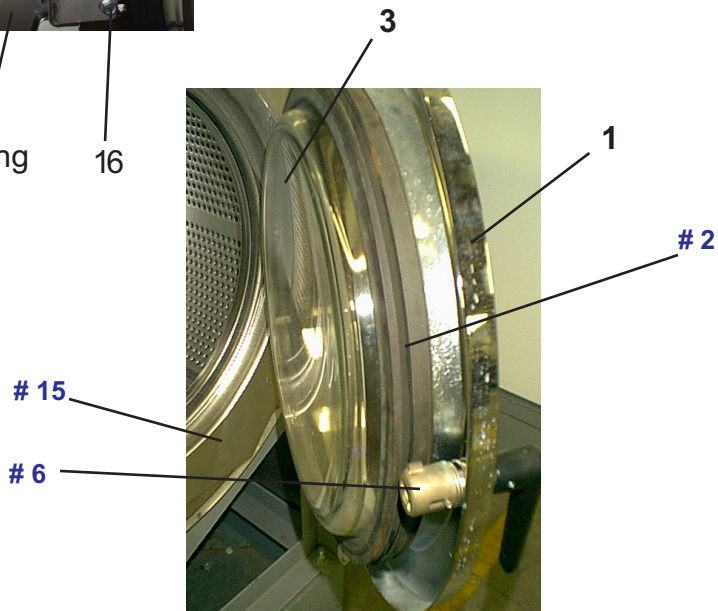


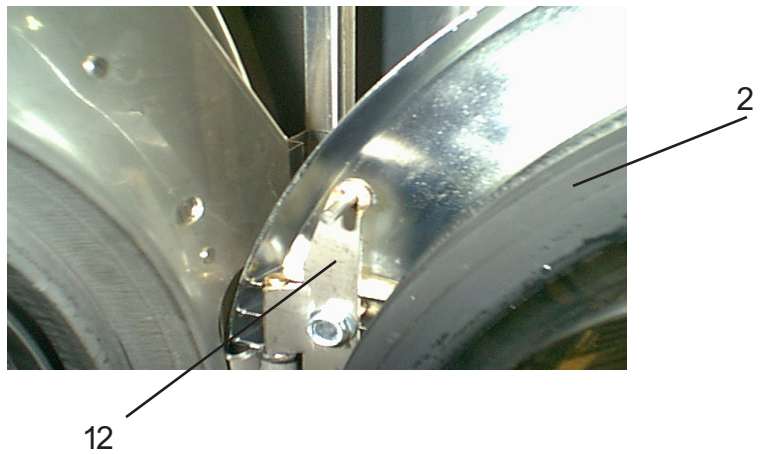
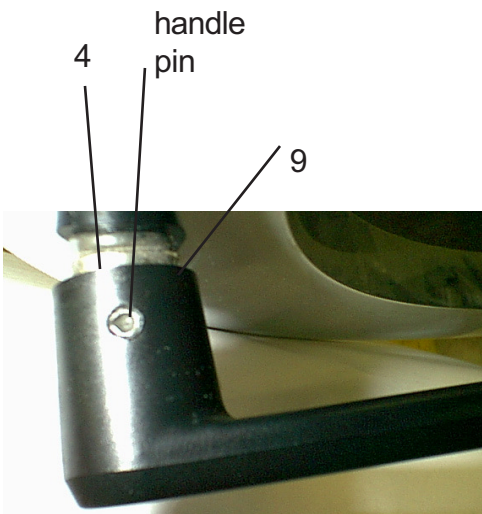
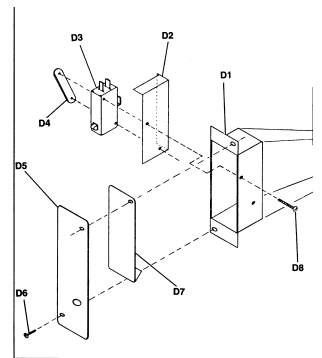
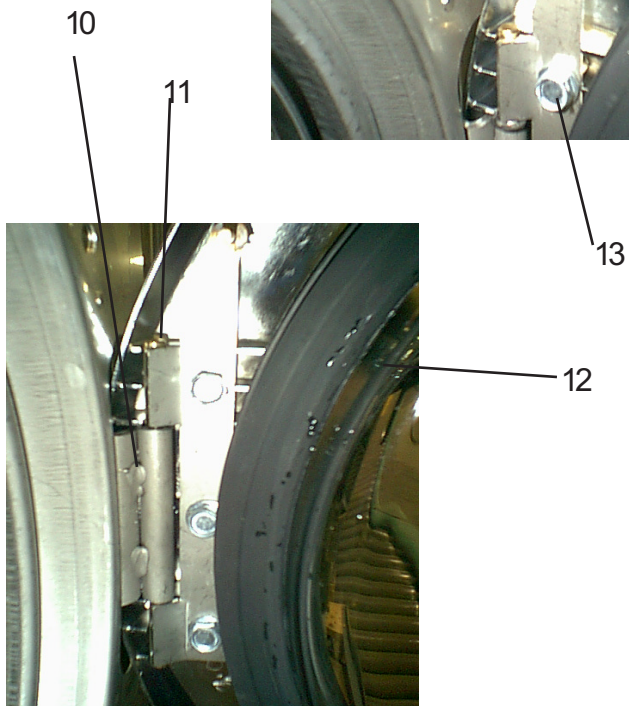
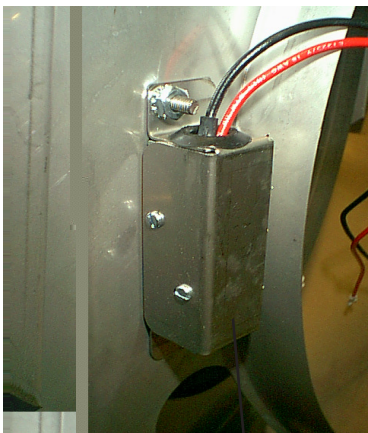
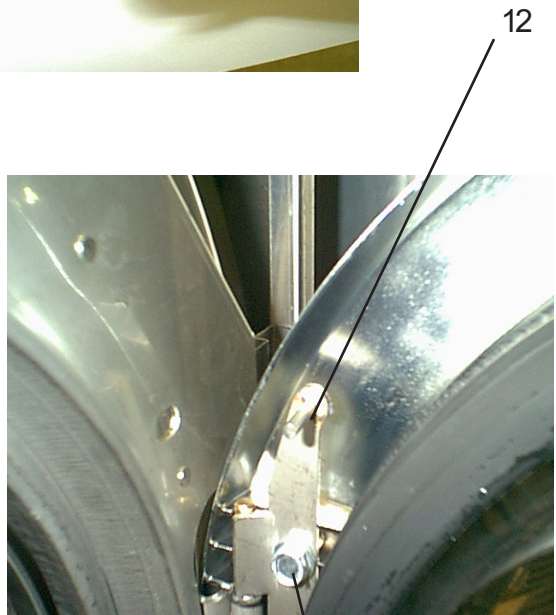
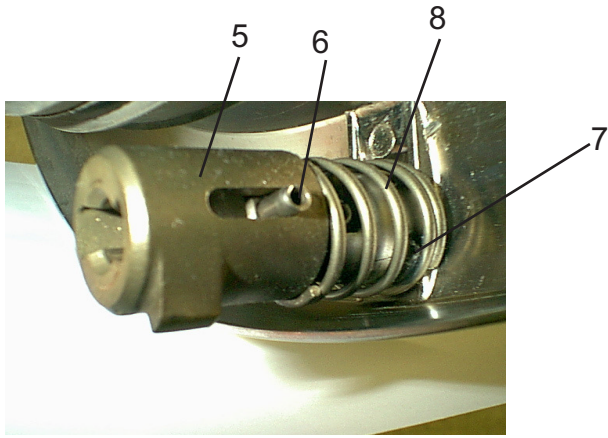


masking ring



masking ring





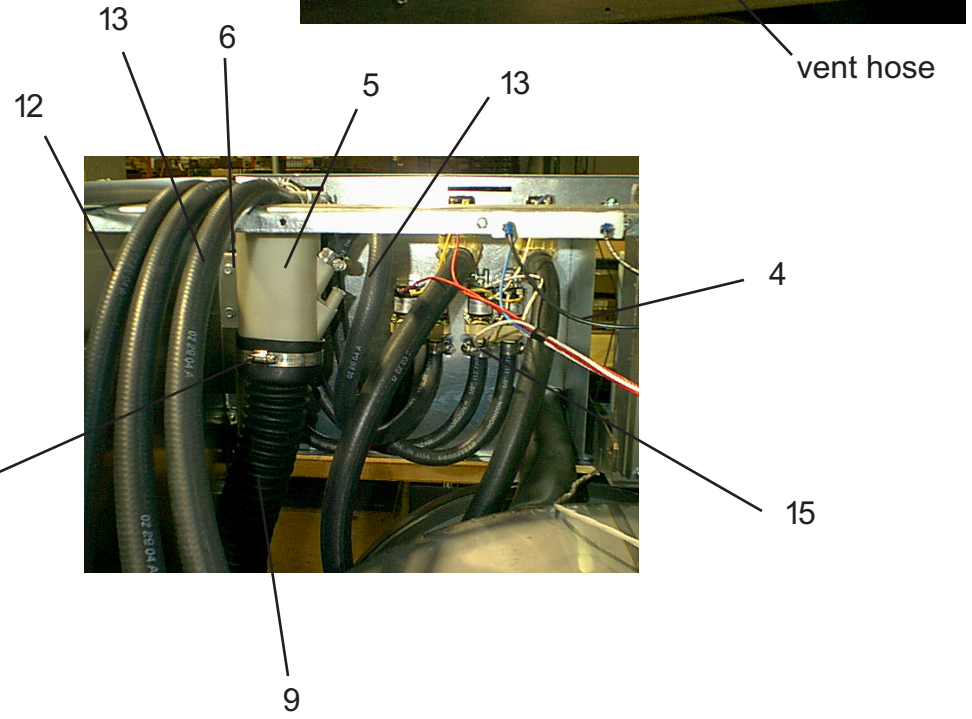
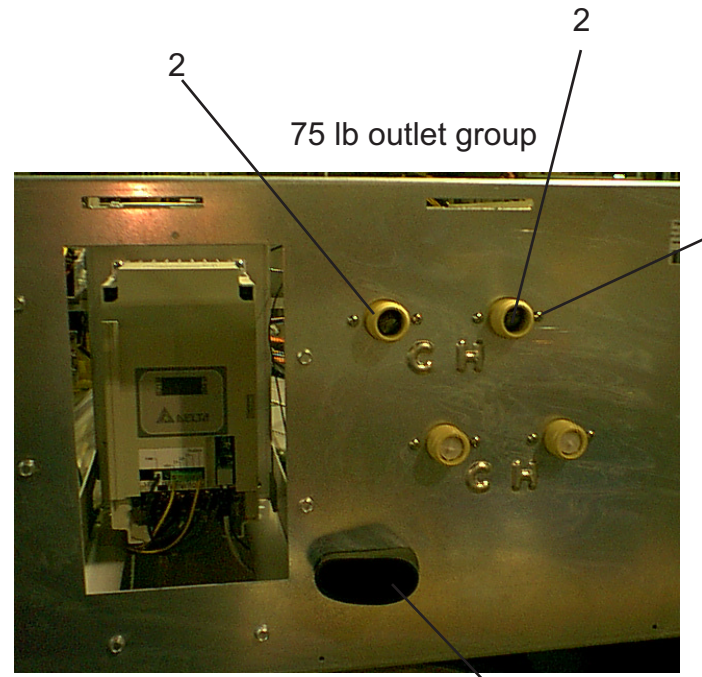
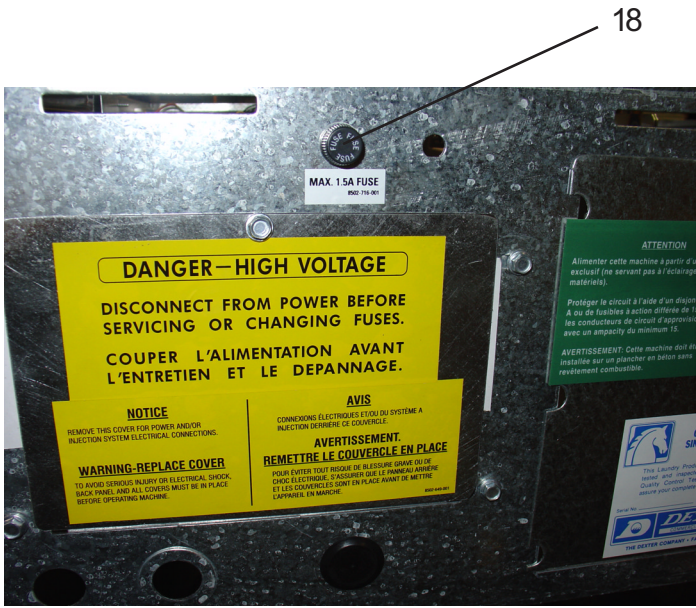
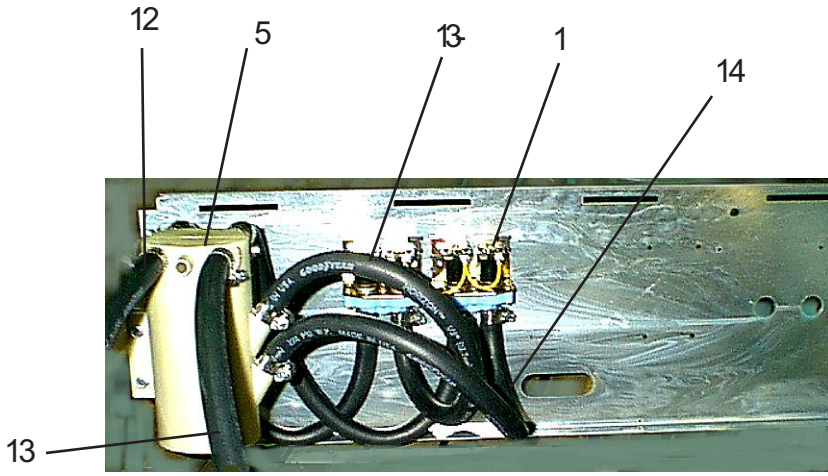


# LOADING DOOR GROUP 18LB.

## WCVD18KCS

Key	Part Number	Description	
*	9960-273-001	Loading Door, Complete (includes 1 thru 10)	1
1	9487-264-001	Loading Door, Ring	1
2	9206-411-002	Gasket, Loading Door	1
3	9635-018-001	Window, Loading Door	1
*	9913-134-003	Shaft Assy, Locking (includes 4 thru 7)	1
4	9537-195-002	Shaft, Door Locking	1
5	9095-040-001	Cam, Locking	1
6	9451-181-005	Pin, Groove (1 1/4)	1
7	9451-181-004	Pin, Groove (3/4)	1
8	9534-360-002	Spring, Lock Cam	1
9	9244-080-003	Handle, Door	1
*	9451-181-006	Pin, Door Handle (groove)	1
10	9955-029-002	Loading Door Hinge Assy ( mounts to Tub Front )	1
*	9545-014-009	Screw, Hinge Mtg 5/16" x 3/4"	3
*	8641-582-009	Lockwasher 5/16" Ext tooth	3
*	9552-036-001	Shim, Loading Door Hinge, Thin	AR
*	9552-036-002	Shim, Loading Door Hinge, Thick	AR
11	9451-184-004	Loading Door Hinge Pin(mnts inside Loading Door Hinge Assy)	1
*	8649-031-000	Ring, Retaining ( snap ring ext )	1
12	9079-122-002	Loading Door Hinge Clamp (mounts to door ring)	1
13	9545-056-001	Screw, Loading Door Mtg (5/16" Theard Forming)	3
14	9950-059-001	Ring, Masking Assembly	1
*	9059-063-002	Band, Edge ( mounts to Front Panel )	1
*	8640-413-002	Nut, Keps	4
15	9539-461-007	Switch Safety	1
16	9550-159-001	Safety switch shield	1
17	8220-062-027	Wires Red	1
18	8220-062-028	Wires Black	1
19	9801-089-001	Switch Assembly Complete Door Closure include 20-26	1
D1	9041-087-001	Switch Box	1
21	9053-067-003	Bushing Insulating	1
D3	9539-461-007	Switch Micro	1
D2	9550-159-001	Switch Shield	1
D4	8640-401-001	Nut Special Twin #4-40	1
D8	9545-020-001	Screw 4-40x5/8	2
D7	9008-004-001	Door Switch Actuator	1

\* Not Illustrated



vent hose

high voltage label

# WATER INLET GROUP

**WCVD-18,WCVD-25,WCVD-40,WCVD-55,WCVD-75**

<b>Key</b>	<b>Part Number</b>	<b>Description</b>	
1	9379-183-003	Valve, Water Inlet (All except 75).....	2
		(see Water Inlet Valve Breakdown for individual parts).....	
1	9379-192-001	Valve Water Inlet WCVD-75 (dual outlet) .....	2
2	9379-194-001	Valve Water Inlet WCVD-75 (Single outlet) .....	2
*	9545-008-026	Screw, Valve Mtg (ALL except 75) .....	4
3	8640-399-009	Nut, Spring (All except 75) .....	4
*	9545-064-001	Screw, Valve M4x0.7x8mm WCVD-75 .....	8
4	9208-049-001	Guard Water valve terminal ALL .....	1
5	9610-001-001	Vacuum Breaker ALL .....	1
6	9029-069-001	Bracket, Vacuum Breaker ALL .....	1
7	9545-008-026	Screw ALL .....	4
*	9550-186-001	Shield over Water Valves Plastic (All except 75) .....	1
9	9242-458-003	Hose, Vacuum Breaker to Tub ALL .....	1
10	8654-117-014	Clamp, Vacuum Breaker End ALL .....	1
11	8654-117-009	Clamp, Tub End ALL .....	1
12	9242-453-018	Hose, Vac. Brkr. to Disp.29" WCVD-55 .....	1
12	9242-453-019	Hose, Vac. Brkr. to Disp.26" WCVD-55 .....	1
13	9242-453-020	Hose, Hot Valve to Vac. Brkr 18" ALL .....	1
13	9242-453-020	Hose, Hot Valve to Tub 18" ALL .....	1
14	9242-453-020	Hose, Cold Valve to Vac. Brkr 18" ALL .....	1
14	9242-453-020	Hose, Cold Valve to Tub 18" ALL .....	1
12	9242-453-022	Hose, Vac. Brkr. dispenser 43" WCVD-75 .....	3
13	9242-453-009	Hose, (valve to vac. Brkr) 23" WCVD-75 .....	4
*	8654-029-000	Clamp, Hose-Spring ( overflow from drain to tub back ) .....	2
15	8654-117-015	Clamp, Hose-Worm .....	10
18	5198-211-004	Circuit Breaker ( optional) .....	1
18	9200-001-002	Fuseholder .....	1
18	8636-018-001	Fuse 1.5 amp ( All except 75 ) .....	1
18	8636-018-004	Fuse 2.5 amp WCVD-75 .....	1
19	8502-716-001	Label Fuse 1.5 amp .....	1
*	8502-716-002	Label Fuse 2.5 a,p .....	1

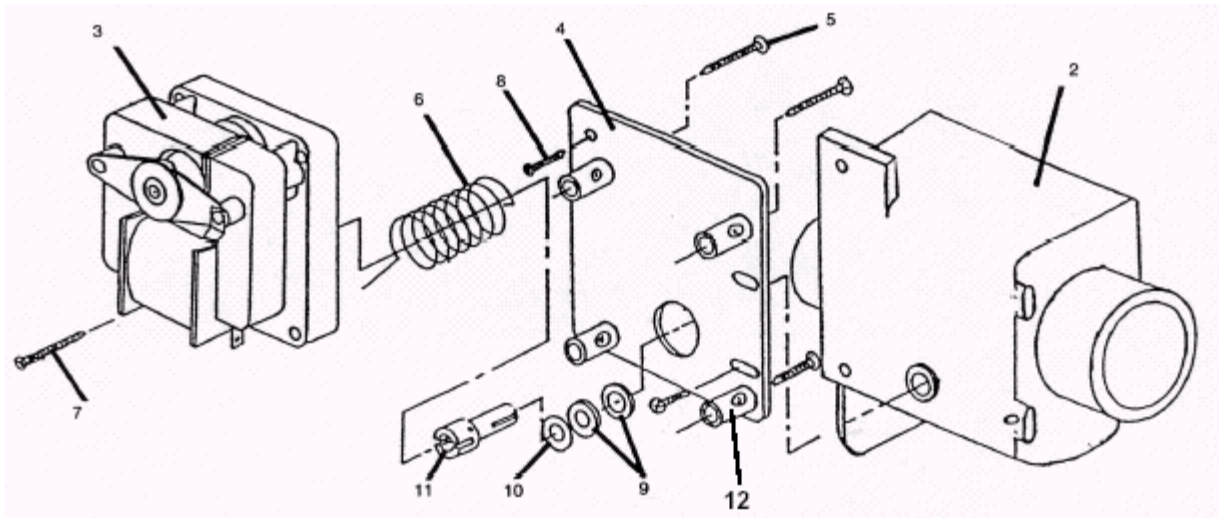
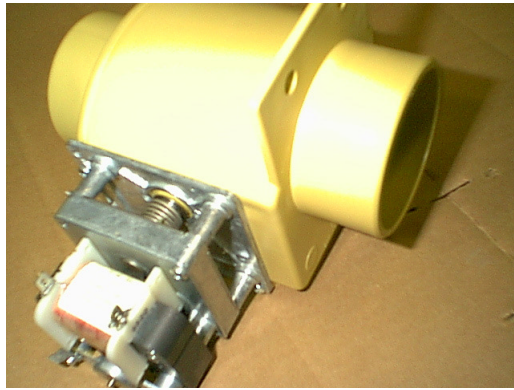
\* Not Illustrated

# DRAIN VALVE GROUP

WCVD-25,WCVD-40,WCVD-55,WCVD-75

Key	Part Number	Description	
*	9379-187-001	Valve, Drain (includes 2 thru 11) ( 3" ).....	1
2	9064-070-001	Body, Valve (w/ball) .....	1
3	9914-137-001	Motor & Gear Train .....	1
4	9452-538-001	Plate, Motor Mtg .....	1
5	8639-994-001	Screw .....	3
6	9534-339-001	Spring, Drive .....	1
7	9545-054-001	Screw .....	2
8	9545-054-002	Screw .....	1
9	9532-134-001	Seal, V Packer .....	2
10	8641-584-001	Washer .....	1
11	9451-196-001	Pin, Main Drive .....	1
12	9538-149-001	Plate (spacers needed for replacement motor mtg. plate) .....	4
<b>WCVD-18-10 WCVD-18 -12</b>			
*	9379-177-006	Valve, Drain (includes #2 thru #11) .....	1
2	9064-068-001	Body, Valve (w/ball) .....	1
3	9914-137-001	Motor & Gear Train .....	1
4	9452-538-001	Plate, Motor Mtg .....	1
5	8639-994-001	Screw .....	3
6	9534-340-001	Spring, Drive .....	1
7	9545-054-001	Screw .....	2
8	9545-054-002	Screw .....	1
9	9532-134-001	Seal, V Packer .....	2
10	8641-584-001	Washer .....	1
11	9451-196-001	Pin, Main Drive .....	1
12	9538-149-001	Plate (spacers needed for replacement motor mtg. plate) .....	4





## WIRING HARNESS GROUP ALL WCVD MODELS

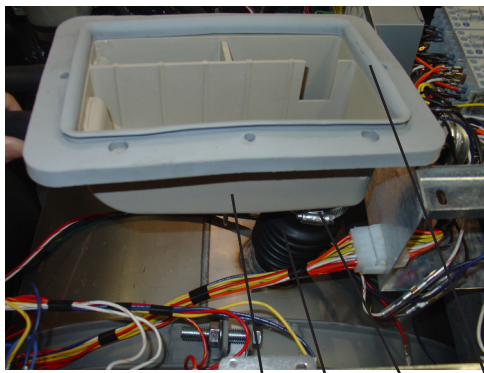
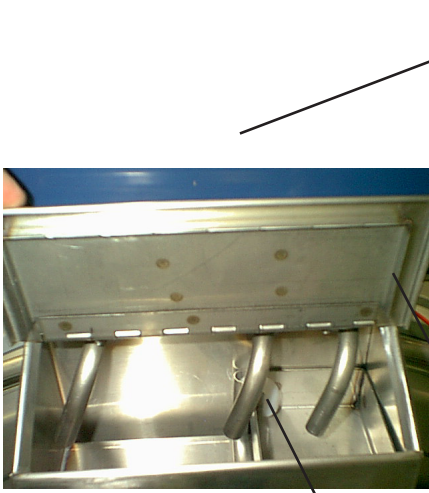
9794-001-001	Wiring Harness, ( Add Bleach Lite assy included ) ALL .....	1
9627-791-003	Wiring Harness, DoorLock WCVD-18,WCVD-25 .....	1
9627-791-004	Wiring Harness, Doorlock WCVD-40,WCVD-55, WCVD=75 .....	1
9627-792-001	Wiring Harness,CoinDrop Mech ALL .....	1
9627-796-001	Wiring Harness, Drain,Thermo,DoorSol WCVD-18,WCVD-25,WCVSD-40	
9627-796-002	Wiring Harness, Drain,Thermo,Door Sol. WCVD-55,WCVD-75 ...	1
8654-125-001	Clamp, Cable- 1/4 Dia. ALL .....	1
8653-074-001	Connector, Clear In-Line ALL .....	AR
9806-015-001	Data Cable ALL xcpt. 75lb .....	1
9806-015-003	Data Cable WCVD-75 .....	1
9627-793-001	Wiring Harness P20/P21 ALL .....	1
9627-794-001	Wiring Harness ,P8/P16 ALL .....	1
9627-795-001	Wiring Harness WaterValve/P19 WCVD-18,WCVD-25 .....	1
9627-795-002	Wiring HarnessWaterValve/P19WCVD-55,WCVD-75,WCVD-40 .	1
9627-797-001	Wiring Harness ,LED PCB ALL .....	1
9627-800-001	Wiring Harness ,P5/pressure WCVD-18 .....	1
9627-801-001	Wiring Harness ,P5/pressure WCVD-25 .....	1
9627-802-001	Wiring Harness ,P5/pressure WCVD-40 .....	1
9627-803-001	Wiring Harness , P5/pressure WCVD-55, WCVD-75 .....	1
8220-064-023	Wiring Assembly Yel. 32" ALL xcpt 75 .....	2
8220-064-040	Wiring Assembly Yel. 64" WCVD-75 .....	2
8220-062-025	Wiring Assembly Red 28" WCVD-40,WCVD-55 .....	2
8220-062-032	Wiring Assembly Red 41" WCVD-75 .....	2
8220-001-282	Wiring Assembly Red 20" WCVD-18,WCVD-40,WCVD-25 .....	2
8220-118-001	Wiring Assembly Vio. 24" WCVD-18 .....	2
8220-108-007	Wiring Assembly Wht/Brn 8" WCVD-75 .....	1
8220-123-001	Wiring Assembly Jumper Yel WCVD-55,WCVD-18,WXCVD-40,WCVD-25	
8220-128-001	Wiring Assembly Jumper Yel WCVD-75 .....	1
8220-062-025	Wiring Assembly Red 28" WCVD-55,WCVD-40 .....	2
8220-062-028	Wiring Assembly Blk. 17" ALL .....	1
8220-062-027	Wiring Assembly Red 17" ALL .....	1
8220-063-008	Wiring Assembly Wht/Grn 16" WCVD-55,WCVD-40,WCVD-25 ...	1
8220-063-009	Wiring Assembly Blu 16" WCVD-55,WCVD-40,WCVD-25 .....	1
8220-117-001	Wiring Assembly Jumper BLK.WCVD-40,WCVD-75,WCVD-25 ...	2
9631-381-018	Wiring Assembly Red 7" ALL .....	1
8220-090-009	Wiring Assembly Blu/Wht ALL .....	1
8220-001-231	Wiring Assembly Blk/Blu ALL .....	1
8220-001-478	Wire Assembly Green 7" WCVD-18 .....	1
9627-747-002	Harness Power Terminal Block WCVD-55,WCVD-75 .....	1
9627-747-003	Harness Power Terminal Block WCVD-25, WCVD-40 .....	1
9627-831-001	Harness Power Terminal Block WCVD-18 .....	



## SCHEMATICS, LABELS AND DIAGRAMS

### ALL WCVD MODELS

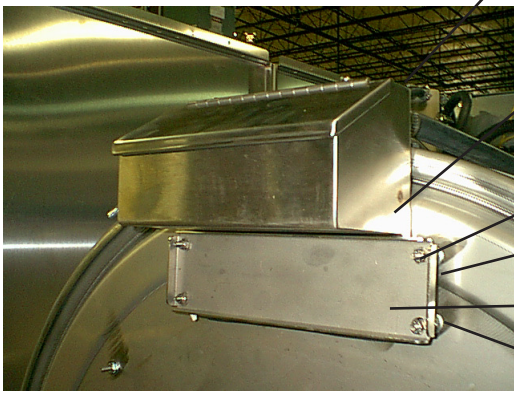
9506-001-001	Wiring Diagram, WCVD-18-10
9506-003-001	Wiring Diagram, WCVD-25
9506-037-001	Wiring Diagram,WCVD-75
9506-009-001	Wiring Diagram, WCVD-55
9506-005-001	Wiring Diagram, WCVD-40
9506-007-001	Wiring diagram, WCVD-18-12
8507-330-001	Transient Voltage Surge Suppressor Infomational
8507-275-001	Instructions Spin Direction WCVD-55,WCVD-75
8507-274-001	Instructions Spin Direction WCVD-25, WCVD-40
8507-273-001	Instructions Spin Direction WCVD-18
9506-002-001	Wiring Schematic WCVD-18-10
9506-004-001	Wiring Schematic WCVD-25
9506-038-001	Wiring Schematic WCVD-75
9506-010-001	Wiring Schematic WCVD-55
9506-006-001	Wiring Schematic WCVD-40
9506-008-001	Wiring Schematic WCVD-18-12
8502-614-004	Label High Voltage Warning
8502-619-003	Label Fusing & Installation
8502-624-002	Label Door Opening Warning
8511-001-002	Label Quality



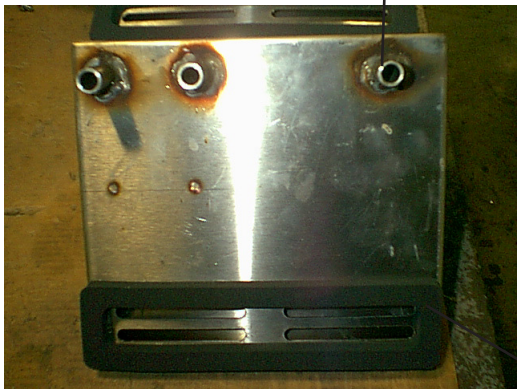
55 dispenser lid

20  
22  
27

16  
18  
19  
17

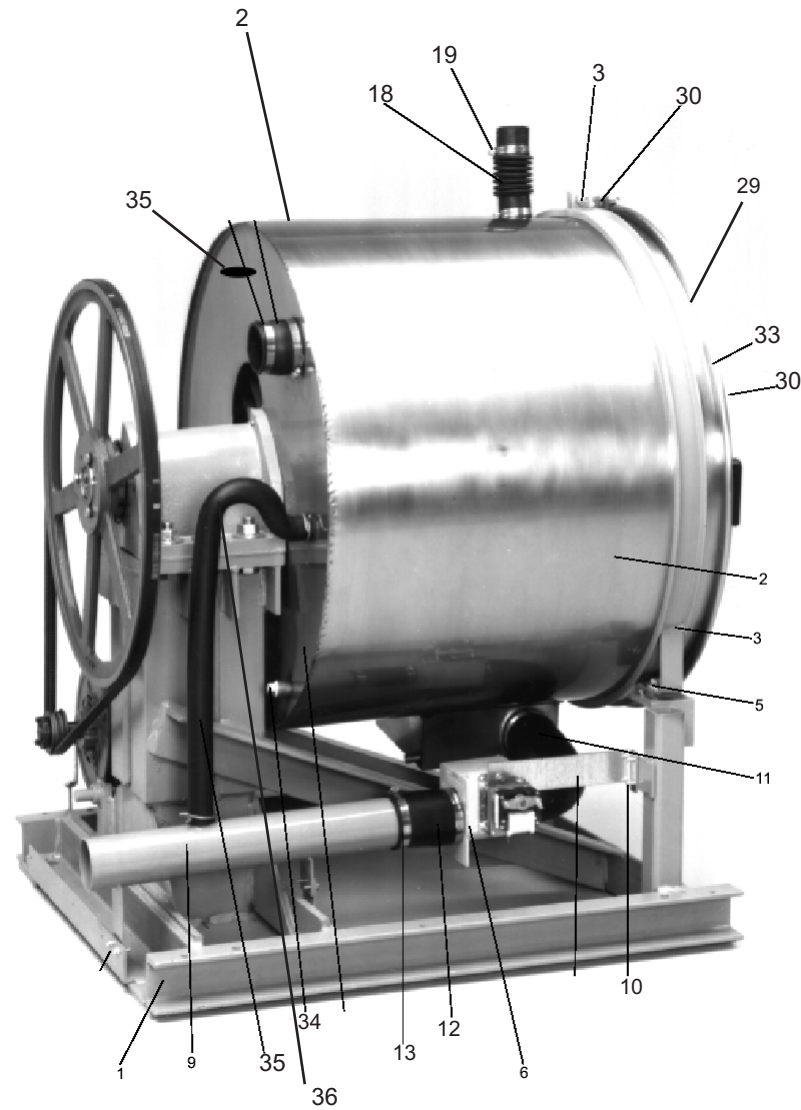


flow restrictors installed here



20  
24  
25  
26  
21

21



## CHASSIS AND DRAIN GROUP 55lb. ,75lb.

Key	Part Number	Description	
1	9945-105-002	Base Assy, Frame WCVD-55 .....	1
1	9945-125-002	Base Assy, Frame WCVD-75 .....	1
2	9930-138-001	Outer Tub Assy WCVD-55 .....	1
2	9930-144-001	Outer Tub Assy WCVD-75 .....	1
3	9950-053-002	Ring Assy, Tub Mtg-Front WCVD-55, WCVD-75 .....	1
4	9545-017-013	Screw Hexhead 1/2 x 2 WCVD-75,WCVD-55 .....	1
4	8640-417-005	Nut Whizlok WCVD-75 .....	1
4	8640-417-002	Nut Hex, 1/2 -13 WCVD-55 .....	3
4	8641-582-016	Lockwasher Exttooth 1/2" WCVD-55 .....	3
5	9545-017-013	Bolt, 1/2-13x2, Grd 5 Tub to Base WCVD-75, WCVD-55 .....	2
5	8641-581-026	Washer, Flat WCVD-55 .....	2
5	8641-581-026	Washer, Flat WCVD-75 .....	4
5	9552-013-001	Shim, Thin .....	4
5	9552-013-002	Shim, Thick .....	4
6	9379-187-001	Valve, Drain 3" OD WCVD-55,WCVD-75 .....	1
9	9915-126-002	Tube Assy, Drain WCVD-75 .....	1
9	9915-120-002	Tube Assy, Drain WCVD-55 .....	1
10	9545-030-002	Screw, Tube Mtg .....	2
11	9242-459-001	Hose, Tub to Drain Valve .....	1
12	9242-457-001	Hose, Drain Valve to Tube WCVD-55,WCVD-75 .....	1
13	8654-117-014	Clamp, Hose .....	5
*	9610-001-001	Vacuum Breaker WCVD-55, WCVD-75 .....	1
*	9029-069-001	Bracket, Vacuum Breaker WCBVD-55, WCVD-75 .....	1
*	9545-008-026	Screw #10Bx 1/2 .....	4
*	8654-117-001	Clamp .....	4
16	9732-108-002	Dispenser WCVD-55, .....	1
16	9475-002-002	Flow restrictor ( All except 75 ) .....	2
17	9475-002-003	Flow restrictor WCVD-75 .....	3
17	9206-416-001	Gasket, Dispenser WCVD-55 .....	1
18	9242-450-001	Hose, Dispenser to Tub WCVD-55 .....	1
19	8654-117-008	Clamp, Dispenser Hose WCVD-55 .....	2
20	9807-091-001	Soap Box Assembly Complete SS WCVD-75 .....	1
21	9206-425-001	Soap Box mounting Gasket WCVBD-75 .....	1
22	9987-104-001	Lid Assembly soap box WCVD-75 .....	1
23	9545-012-017	Lid screws #10-32x1/2 SS WCVD-75 .....	1
24	8640-413-006	Nut Hex Elasticstop #10-32 SS WDCV-75 .....	4
25	9538-157-019	Spacer Plastic #10x1/2 WCVD-75 .....	4
26	9029-148-001	Bracket Soap box mounting WCVD-75 .....	1
27	9574-252-002	Softner siphon tube WCVD-75 .....	1
28	9475-002-003	Flow restictors WCVD-75 .....	3
29	9974-007-002	Front Ass'y, Tub WCVD-55, WCVD-75 .....	1
30	9950-055-001	Ring Ass'y, Clamp (tub front to outer tub) WCVD-55,WCVD-75 .....	1
31	9545-029-009	Screw, 3/8-16x3 WCVD-55, WCVD-75 .....	1
32	8640-415-001	Nut, Hex 3/8-16 WCVD-55, WCVD-75 .....	1
33	9206-421-002	Gasket, Tub Front WCVD-55, WCVD-75 .....	1
34	8615-104-039	Pipe Plug WCVD-55, WCVD-75 .....	2
35	9242-449-003	Hose, Overflow WCVD-55, WCVD-75 .....	1
36	8654-029-000	Clamp, Hose WCVD-55, WCVD-75 .....	2

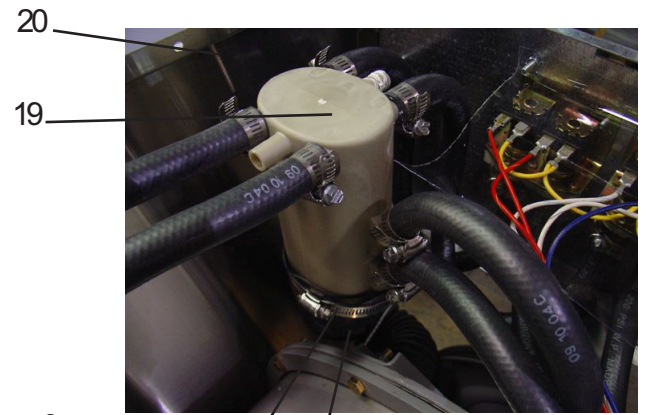
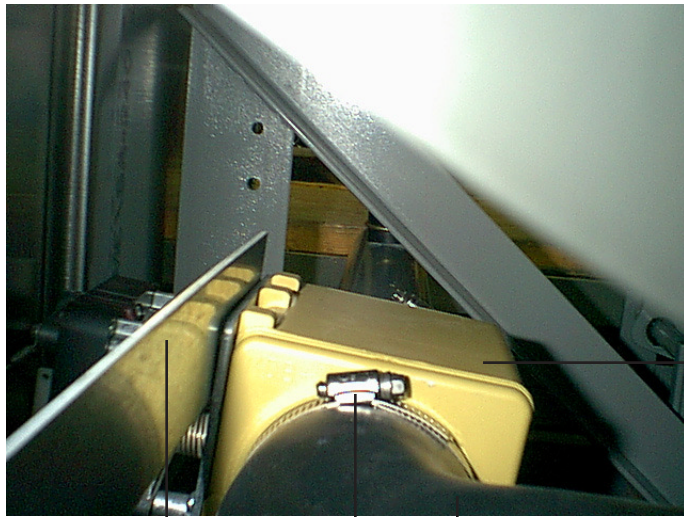
\* Not Illustrated

## CHASSIS AND DRAIN GROUP 18LB.,25LB.,40LB.

Key	Part Number	Description	
1	9945-097-002	Base Assy, Frame WCVD-40 .....	1
1	9945-093-002	Base Assy,Frame WCVD-18 .....	1
1	9945-105-002	Base Assy, Frame WCVD-55 .....	1
1	9945-087-002	Base Assy,Frame WCVD-25 .....	1
2	9930-136-001	Tub Assy WCVD-40, .....	1
2	9930-135-001	Tub Assy WCVD-18 .....	1
2	9930-137-001	Tub Assy WCVD-25 .....	1
2	9930-138-001	Tub Assy WCVD-55 .....	1
*	9869-006-001	Tub & Cylinder Assy WCVD-18 .....	1
*	9869-008-001	Tub & Cylinder Assy WCVD-25 .....	1
*	9869-007-001	Tub & Cylinder Assy WCVD-40 .....	1
*	9869-009-001	Tub & Cylinder Assy WCVD-55 .....	1
3	9967-009-002	Cradle Assy, Tub WCVD-40 .....	1
4	9950-050-002	Ring Assy, Tub Mtg-Front WCVD-40 .....	2
5	9545-060-003	Bolt, Top Front Ring 5/8" x 3" WCVD-40 .....	1
5	8640-425-001	Nut WCVD-40 .....	1
5	8641-582-018	Lockwasher WCVD-40 .....	1
6	9545-060-002	Bolt,5/8 x 2 1/2 Frnt Rng to Crdl (double nuts used) WCVD-40 ..	2
6	8640-425-001	Nut, Hex WCVD-40 .....	4
7			
7	9950-041-004	Ring Assy.Clamp Tub Mtg.- Rear .....	2
8	9545-060-001	Bolt, 5/8 x 1 1/2 Rings to Base ( front and rear ) .....	4
8	8641-582-018	Lockwasher .....	4
8	8640-425-001	Nut, Hex 5/8-11 .....	4
9	9379-187-001	Valve, Drain .....	1
10	9029-052-001	Bracket, Drain Valve .....	1
*	9545-048-001	Screw, Valve to Bracket 12ABx1/2 .....	1
*	8641-581-018	Washer .....	1
11	9545-030-002	Screw, Bracket to Base 1/4Bx3/4 .....	2
12	9915-118-002	Tube Assy, Drain .....	1
13	9545-030-002	Screw, Tube Mtg .....	2
14	9242-456-001	Hose, Tub to Drain Valve .....	1
15	9242-457-001	Hose, Drain Valve to Tube .....	1
16	8654-117-014	Clamp, Hose .....	4
17	9552-038-001	Shim, Support Assembly ( thin ) .....	AR
18	9242-458-002	Hose, Vacuum Brkr. to Tub .....	1
19	9610-001-001	Vacuum Breaker .....	1
20	9029-077-001	Bracket, Vacuum Breaker .....	1
21	9545-008-026	Screw #10Bx 1/2 .....	4
*	9732-108-002	Dispenser, .....	1
*	9206-416-001	Gasket, Dispenser .....	1
*	8640-399-007	Nut Spring .....	4
*	9242-450-001	Hose, Dispenser to Tub .....	1
*	8654-117-008	Clamp, Dispenser Hose .....	2
27	9732-137-003	Back Ass'y, Tub .....	1
28	9991-056-002	Support Arm Ass'y, Bearing Housing .....	6
29	9545-059-002	Bolt, 7/16" x 2" Tub Back to Tub .....	12
29	8640-416-005	Nut, Flange Lock .....	12
*	9552-038-003	Shim (thick) .....	AR

\* Not Illustrated

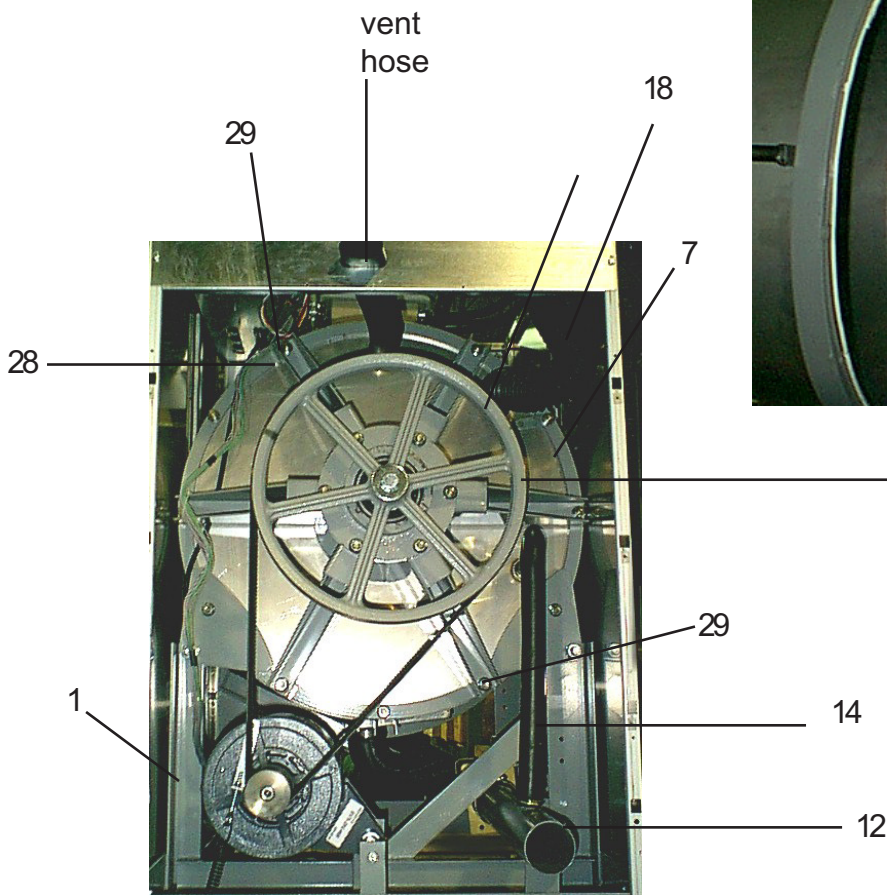
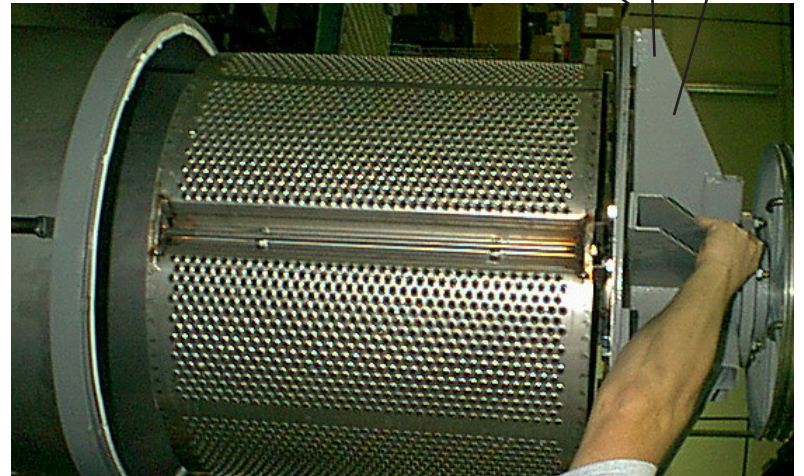




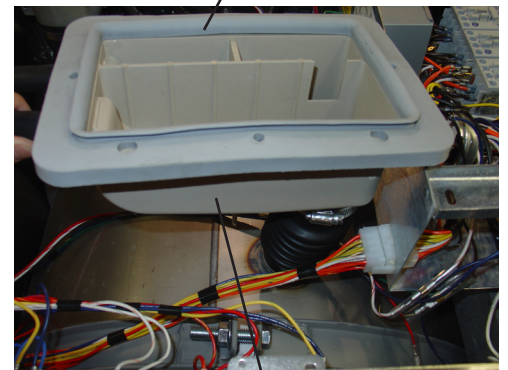
10  
16  
14

16  
18

2 ALL  
29  
28

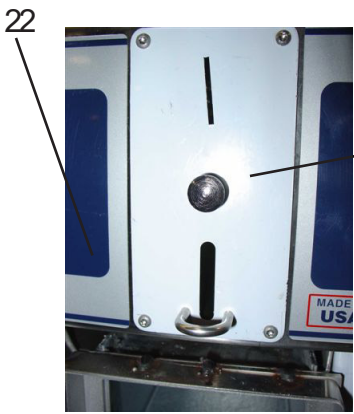
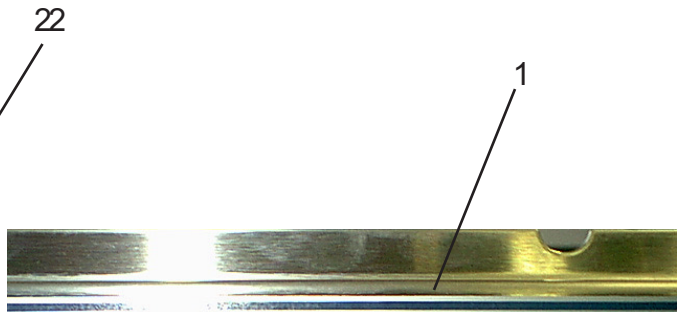


vent hose  
18  
29  
28  
pulley  
dispenser gasket

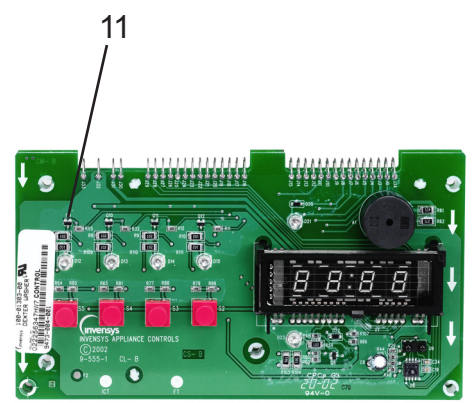
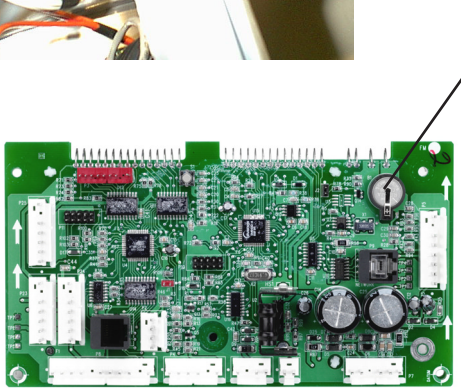
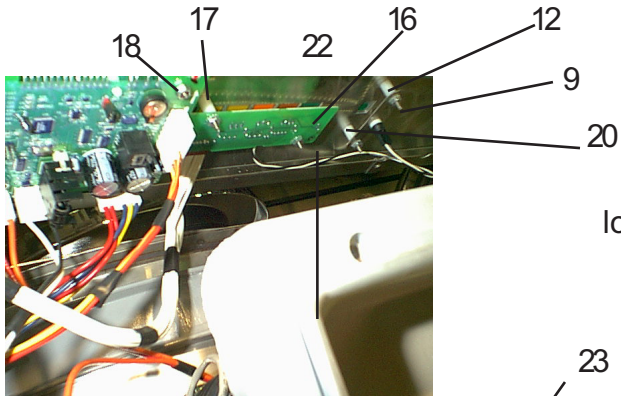
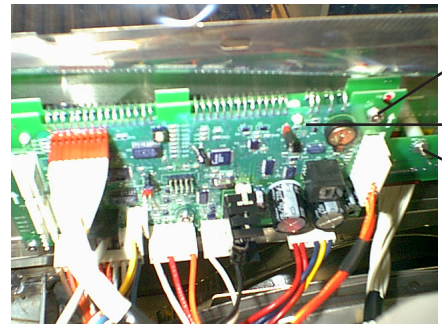


dispenser





19 22



# CONTROL PANEL GROUP

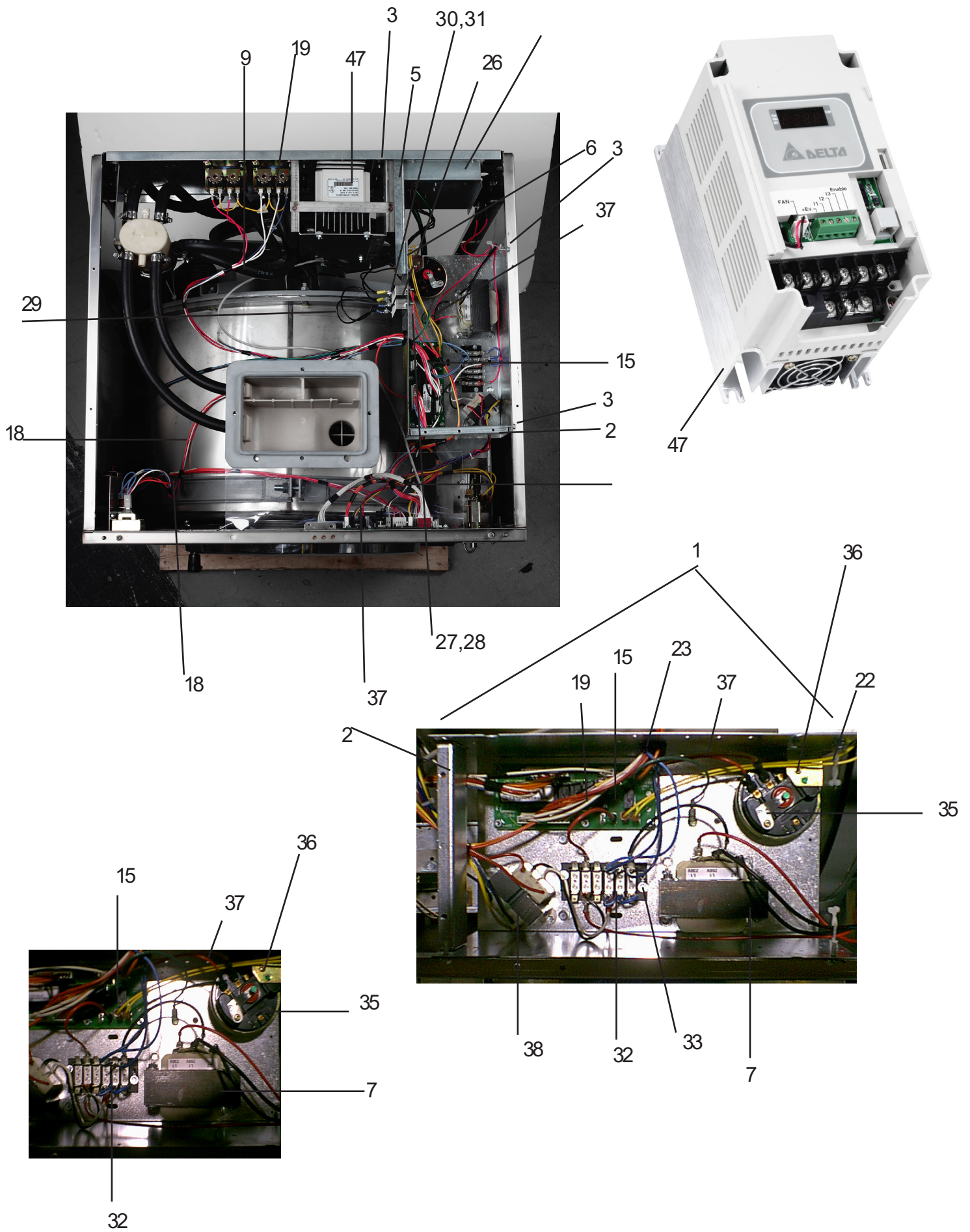
WCVD-75, WCVD-55 , WCVD-40 ,WCVD-25 ,WCVD-18-10 , WCVD-18-12

Key	Part Number	Description .....	Quantity
1	9989-473-001	Panel Control Assembly(panel only)WCVD-18-10,WCVD-18-12..1	1
1	9989-474-001	Panel Control Assembly (panel only) WCVD-25 .....	1
1	9989-475-001	Panel Control Assembly (panel only) WCVD-40 .....	1
1	9989-476-001	Panel Control Assembly (panel only) WCVD-55,WCVD-75 .....	1
*	9545-008-026	Screw, Hxwshrhnduct #10Bx 1/2" .....	4
*	9467-024-001	Post Locator Top of panel .....	2
*	8640-411-003	Nut Hexkeps #6-32 .....	2
*	9355-001-001	Locator Panel.....	2
*	9545-008-023	Screw FillHDCR 10Bx1/2" .....	2
7	9538-178-001	Spacer Pushbutton (Micro) .....	1
8	9486-150-001	Retainer Pushbutton ( Micro) .....	1
9	8640-424-002	Nut Hexelasticstop #4-40 .....	2
10	9035-060-001	Pushbutton Control (coin) .....	1
2	9185-008-001	Filler Pushbutton Control .....	4
11	9473-004-001	PCB assembly Control /Display .....	1
12	9538-157-018	Spacer Plastic #6x9/16 .....	5
13	8640-411-003	Nut Elasticstop #6-32 .....	5
14	9627-797-001	Harness LEDPCB .....	1
15	9627-791-003	Harness Doorlock WCVD-18,WCVD-25 .....	1
15	9627-791-004	Harness Doorlock WCVD-40,WCVD-55,WCVD-75 .....	1
16	9473-004-001	PCB assembly Mode lights .....	1
17	9538-157-018	Spacer Plastic #6x9/16 .....	2
18	8640-411-003	Nut Hexkeps #6-32 .....	2
19	9794-001-001	Light, LED,ADD BLEACH Assembly .....	1
20	9538-157-018	Spacer Plastic #6x9/16 .....	2
21	8640-411-003	Nut Hexeps #6-32 .....	2
*	9732-122-001	Kit, Coin Box W/Hardware .....	1
22	9412-114-001	Nameplate, Control Panel (one piece) WCVD-40 .....	1
22	9412-113-001	Nameplate,Control Panel (one piece) WCVD-25 .....	1
22	9412-112-001	Nameplate,Control Panel (one piece) WCVD-18 .....	1
22	9412-115-001	Nameplate,Control Panel (one piece) WCVD-55 .....	1
22	9412-130-001	Nameplate,Control Panel (one piece) WCVD-75 .....	1
*	9922-011-001	Solenoid Ass'y, Door Locking (see Door Lock Group for parts breakdown )	
*	8640-412-005	Hex Nuts ( mounting solenoid assy. to control panel ) .....	4
23	8612-001-001	Battery .....	1
24	9021-001-001	Coin Acceptor Single Complete w/Blocking .....	

## Electrical Components - Top Compartment

Key	Part Number	Description	
1	9857-154-001	Trough Assy, Controls (all parts below #2 - #43 & trough) .....	WCVD-55
1	9857-151-001	Trough Assy,Controls(all parts below #2-#43 & trough) .....	WCVD-25
1	9857-150-001	Trough Assy,Controls(all parts below #2-#43 & trough) .....	WCVD-18-12
1	9857-149-001	Trough Assy,Controls(all parts below #2-#43 & trough) .....	WCVD-18-10
1	9857-152-001	Trough Assy, Controls (all parts below #2 - #43 & trough) .....	WCVD-40
1	9857-160-001	Trough Assy, Controls (all parts below #2 - #43 & trough) .....	WCVD-75
2	9839-015-001	Trough only ALL .....	1
3	9545-008-026	Screw, Trough Sides ALL .....	4
4	8641-582-006	Lockwasher Exttooth #10 ALL .....	4
5	9003-270-001	Angle Support Trough WCVD-18,WCVD-25 .....	1
5	9003-271-001	Angle Support Trough WCVD-40,WCVD-55 .....	1
6	9545-008-026	Screw, Trough Bracket WCVD-18,WCVD-25,WCVD-40,WCVD-55 .	4
7	8711-004-001	Transformer, Control (Operating Voltage to 115 volts) ALL except 18-10- not use	
9	9545-045-001	Screw, Mtg #8Bx1/4" .....	2
10	8641-582-005	Lockwasher .....	2
11	8220-001-282	Wire Assembly Red 20" WCVD-18, WCVD-25 .....	2
11	8220-062-025	Wire Assembly Red 28" WCVD-40, WCVD-55 .....	2
11	8220-062-032	Wire Assembly Red 41" WCVD-75 .....	2
12	8639-621-007	Screw GRN. #10-32x 1/2" .....	1
13	8641-582-006	Lockwasher #10 .....	1
14	8652-130-037	Lug, Grounding .....	1
15	9473-006-001	PCB assembly Relay Main .....	
16	9538-157-011	Spacer Plastic #8x3/8" .....	6
17	8640-411-003	Nuts Hexkeys #6-32 .....	6
*	9627-796-001	Harness Drain/Therm/Sol WCVD-18,WCVD-25 .....	1
*	9627-796-002	Harness Drain/Therm/Sol WCVD-40,WCVD-55,WCVD-75 .....	1
19	9627-795-001	Harness P19/Water Valve WCVD-18,WCVD-25 .....	1
19	9627-795-002	Harness P19/Water Valve WCVD-40,WCVD-55,WCVD-75 .....	1
*	9627-794-001	Harness P8/P16 ALL .....	1
*	9627-793-001	Harness P20/P21 ALL .....	1
*	8220-064-023	Wire Assembly Yel 32" WCVD-18,WCVD-25,WCVD-40,WCVD-55 ...	2
*	8220-064-040	Wire Assembly Yel 64" WCVD-75 .....	2
23	9053-067-002	Bushing , Wire 7/8 ALL .....	2
*	9527-002-002	Standoff Twistlock ALL .....	3
*	9527-002-003	Standoff Twistlock ALL .....	2
26	9483-004-002	Dynamic Braking Resistor WCVD-18-10,WCVD-18-12, .....	1
26	9483-004-002	Dynamic Braking Resistor WCVD-25,WCVD-40, .....	2
26	9483-004-003	Dynamic Braking Resistor WCVD-55, WCVD-75 .....	2
27	9545-012-008	Screws #10-32x1/2" (pnhdcr) .....	4
28	8640-413-002	Nuts, #10-32 UNF 2B .....	4
29	8220-117-001	Wire Assembly Jumper Blk. ALL except wcvd-18 .....	2
29	8220-118-001	Wire Assembly Jumper BLK. WCVD-18 .....	2
30	9545-044-006	Screw #6-32x5/16" .....	4
31	8640-411-003	Nuts Hex #6-32 .....	4
32	9897-034-001	Terminal Block Assy, POWER ALL .....	1
33	9545-045-007	Screw, Mtg 8Bx3/8" .....	2
*	9558-027-001	Strip, Terminal Marker WCVD-18,WCVD-40,WCVD-55,WCVD-75 ...	1
*	9558-027-002	Strip, Terminal Marker WCVD-25 .....	1
35	9539-457-002	Switch, Pressure WCVD-18 .....	1
35	9539-457-001	Switch, Pressure WCVD-40,WCVD-25,WCVD-55 .....	1
35	9539-488-001	Switch, Pressure WCVD-75 .....	1
36	9545-045-001	Screw, Mtg #8Bx1/4" WCVD-18,WCVD-25,WCVD-40 .....	2
36	9545-008-026	Screw, Mtg. WCVD-55, WCVD-75 .....	2



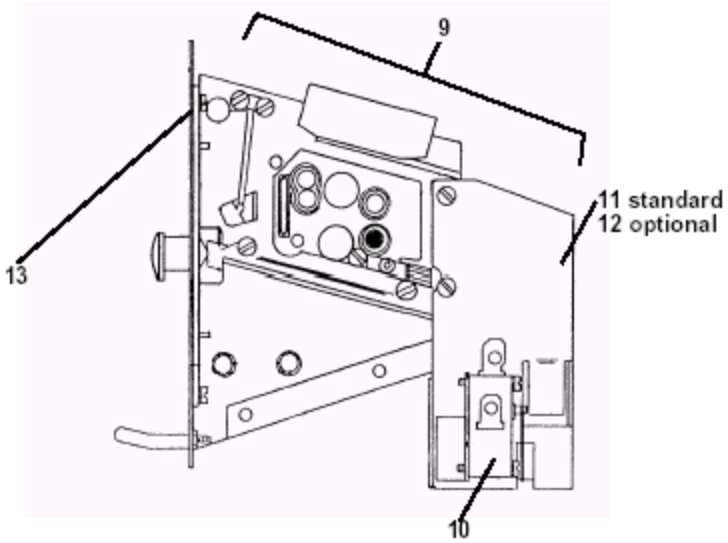
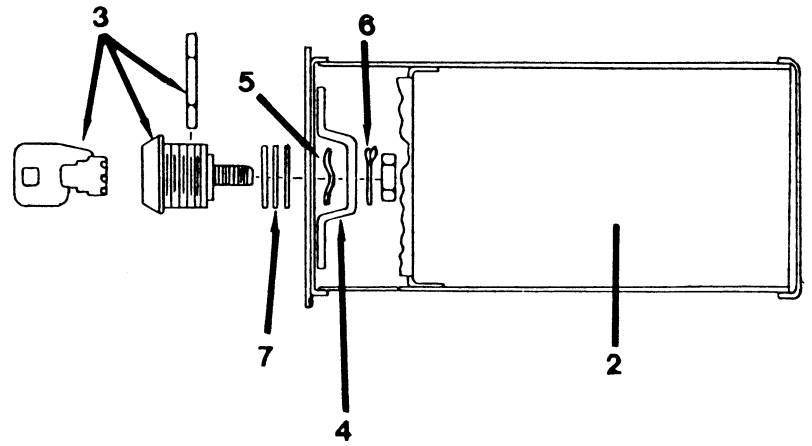
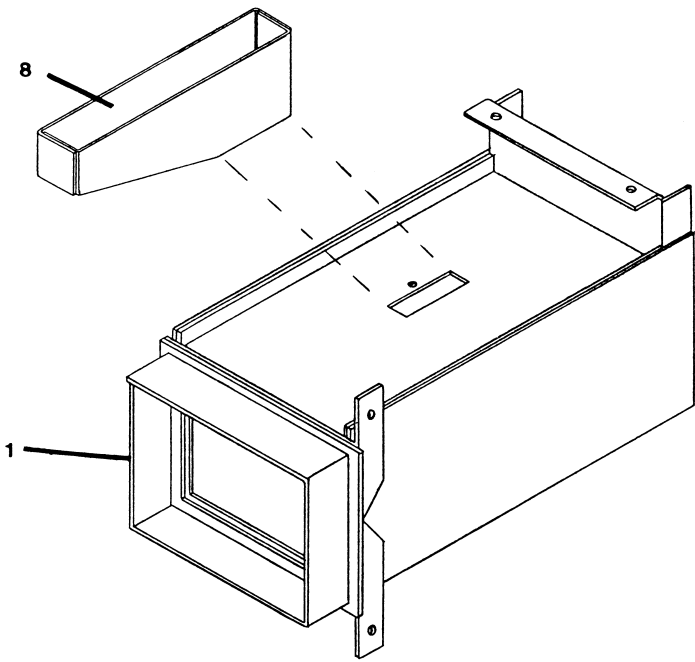


## Electrical Components - Top Compartment CON'T

Key	Part Number	Description	
37	9627-800-001	Harness P5/Pressure WCVD-18 .....	1
37	9627-801-001	Harness P5/Pressure WCVD-25 .....	1
37	9627-803-001	Harness P5/Pressure WCVD-55,WCVD-75 .....	1
37	9627-802-001	Harness P5/Pressure WCVD-40 .....	1
38	8711-009-001	Transformer, (Step Down) 120/2.3 VAC&24 VAC ALL .....	1
39	9545-008-026	Screw, Transformer Mtg #10Bx1/2" .....	4
40	8641-582-006	Lockwasher #10 exttooth .....	4
*	8220-001-231	Wire Assembly BLK/Blu .....	1
*	9631-381-018	Wire Assembly Red 7" .....	1
*	8220-090-009	Wire Assembly Blu/Wht .....	1
47	9375-007-003	Variable Frequency Drive WCVD-40 .....	1
47	9375-009-002	Variable Frequency Drive WCVD-55 .....	1
47	9375-007-002	Variable Frequency Drive WCVD-25 .....	1
47	9375-005-002	Variable Frequency Drive WCVD-18-12 .....	1
47	9375-004-002	Variable Frequency Drive WCVD-18-10 .....	1
47	9375-009-005	Variable Frequency Drive WCVD-75 .....	1
*	9897-033-002	Terminal Block Assembly .....	1
*	9545-031-010	Screw 6ABx3/4 .....	2
*	9627-747-003	Wiring Harness Power Terminal WCVD-25,WCVD-40 .....	1
*	9627-747-002	Wiring Harness Power Terminal WCVD-55, WCVD-75 .....	1







## COIN HANDLING GROUP

**WCVD-18, WCVD-25, WCVD-40, WCVD-55, WCVD-75**

Key	Part Number	Description	
1	9942-029-001	Vault, Assy WCVD-18 .....	1
1	9942-030-001	Vault, Assy WCVD-25 .....	1
1	9942-030-002	Vault, Assy WCVD-40 .....	1
1	9942-030-003	Vault, Assy WCVD-55 .....	1
1	9942-030-004	Vault, Assy WCVD-75 .....	1
*	9545-008-026	Screw, 10Bx 1/2" Vault Mtg .....	2
*	9545-008-031	Screw, 10AB x 1/2" Vault Mtg .....	2
8	9119-028-001	Chute Assy.WCVD-75 .....	1
8	9119-029-001	Chute Assy.WCVD-18,WCVD-25,WCVD-40,WCVD-55 .....	1

NOTE: COIN BOX AND HARDWARE KIT AND COIN BOX LOCK NOT INCLUDED WITH MACHINE.

2	9732-122-001	Kit, Coin Box W/Hardware (includes 3 thru 6) .....	1
3	9349-033-001	Latch, Coin Box .....	1
4	8641-569-002	Washer, Wave .....	1
5	8641-583-001	Washer, Keeper .....	1
6	8641-581-008	Washer, Spacer- Thick .....	2
6	8641-581-010	Washer, Spacer- Thin .....	4
7	8650-012-003	Lock, Coin Box (w/key not included with 9732-122-001) .....	1
*	9545-008-001	Screw, Chute Mtg .....	1
11	9119-025-002	Coin Acceptor chute without penny rejector (standard) .....	1
*	8640-424-002	Nut .....	4
10	9732-126-001	Switch, Coin ( fits single coin drop) .....	1
12	9119-025-001	Coin Acceptor chute with penny rejector (optional) .....	optional
13	9486-133-001	Button Coin Return Retainer .....	1
*	9922-008-001	Coin Blocking Solenoid assy (** included ) .....	1
**	9536-079-001	Solenoid coin blocking .....	1
**	9534-362-001	Spring coin blocking .....	1
**	9545-039-001	Screw,Blocking assy mtg. ....	2
**	8641-579-001	Lockwashers .....	2
9	9021-001-001	Coin Acceptor Complete w/coin blocking solenoid .....	1
	9732-001-001	Electronic Acceptor Kit for U.S.A. models w/coin blocking For other countries coinage call Dexter P&S. Or contact your local distributor.	
14	9545-020-004	Screws - Coin Acceptor Mounting Torx Head .....	4
15	8640-424-002	Nuts - Coin Acceptor Mounting Nuts .....	4

\* Not Illustrated