



DEXTER
LAUNDRY

T-80 EXPRESS O-SERIES DRYER

DEXTER ON-PREMISE DRYER WITH TOTAL CONTROL.

ON-PREMISE LAUNDRY
T-80 EXPRESS O-SERIES DRYER



On-premise laundry solutions you can depend on.

Our easy to use O-Series controls give you the precision and features you need to ensure your laundry is done properly. With innovative features, such as our patented Moisture Detection System and Fire Response System, Dexter dryers are designed to keep your laundry operating safely and efficiently.

When your business depends on clean laundry, choosing the right equipment is an important decision. Our products will provide you the efficiency, flexibility, performance, and durability you need to be confident in your choice. With lifetime technical support and an industry leading 5-year limited warranty, you can be confident that we will stand behind every dryer you invest in.

Contact your Dexter Authorized Distributor today for more details.

TOTAL CONTROL



Dexter O-Series dryers give you Total Control over your laundry:

With a large display, streamlined interface, and multi-lingual capabilities, O-Series Controls are easy to use.

They offer ultimate cycle flexibility and easy programming with DexterLive.

The management tools allow you to monitor efficiency giving you more time to focus on your business.

MOISTURE DETECTION SYSTEM

O-Series dryers offer Moisture Detection with wireless sensing technology which reduces dry time; saving energy and prolonging the life of your linens.

FIRE RESPONSE SYSTEM

O-Series dryers offer the Dexter Fire Response System. If an unexpected rise in temperature occurs the machine will take action to protect your facility.

QUALITY YOU CAN TRUST



DURABLE:

With heavy-duty bearings in a cast iron bearing housing and a fully welded and painted cabinet, Dexter dryers are built to last.

Using proven washer-style technology, welded steel spider assemblies support the tumbler from the rear and eliminate the need for front support rollers.

RELIABLE:

Our industry leading 5-year warranty covers the trunnion, bearings, and bearing housing. A 3-year parts warranty covers the rest.

We stand behind every machine you invest in with lifetime technical support.

EFFICIENT:

A reversing tumbler feature helps to reduce roping in large loads which in turn significantly decreases dry time.

OPTIONS YOU NEED



FLEXIBLE:

O-Series controls give you the precision and features you need to get your laundry done right. Plus you get the added benefit of innovative features like our Moisture Detection System and Fire Response System.

The reversible door option on all on-premise single dryers allows for a more ergonomic set up when needed.

OPTIONS:

This dryer is available as a reversing or non-reversing model.

Available with stainless or galvanized tumblers and white or stainless panels.

Water-equipped Fire Response System models are available.

T-80 EXPRESS DRYER SPECIFICATIONS

Capacity:

Dry Weight Capacity - lb (kg)	80	(36.3)
Cylinder Volume - cu ft (L)	23	(651.3)

Speed:

Tumbler Speed - RPM	40	
Motor Size - 60 Hz Model - hp (kW)	1	(0.75)
Motor Size - 50 Hz Model - hp (kW)	0.75	(0.56)
Motor Size - Reversing Models - hp (kW)	1 & 0.75	(0.75 & 0.56)

Airflow:

60 Hz Model - cfm (M3/min)	1200	(34)
50 Hz Model - cfm (M3/min)	1000	(28.3)

Dimensions:

Cabinet Height - in (cm)	75 3/4	(192.4)
Cabinet Width - in (cm)	38 1/2	(97.8)
Cabinet Depth - in (cm)	51 3/4	(131.4)
Door Opening - in (cm)	25 5/8	(65.1)
Floor to Door Bottom - in (cm)	29 1/4	(74.3)
Cylinder Diameter - in (cm)	36 1/2	(92.7)
Cylinder Depth - in (cm)	38	(96.5)
Lint Screen Area - sq in (sq cm)	823	(5310)

Weight:

Net Weight - lb (kg)	715	(324.3)
----------------------	-----	---------

Shipping Information:

Shipping Weight - lb (kg)	770	(349.3)
Shipping Height - in (cm)	80 3/4	(205.1)
Shipping Width - in (cm)	40 1/4	(102.2)
Shipping Depth - in (cm)	55 1/2	(141)

Gas Requirements (Gas Models Only):

Gas Supply Connection - in (mm)	3/4	(19.1)
Natural Gas Supply (Water Column) - in (cm)	5-10	(12.7 - 25.4)
LP Gas Supply (Water Column) - in (cm)	11 1/2- 13 1/2	(29.2 - 34.3)

Gas Usage (Gas Models Only):

60Hz Model - BTU/hr (kW)	215,000	(63)
50Hz Model - BTU/hr (kW)	195,000	(57.1)

Electrical Requirements:

Gas Models:

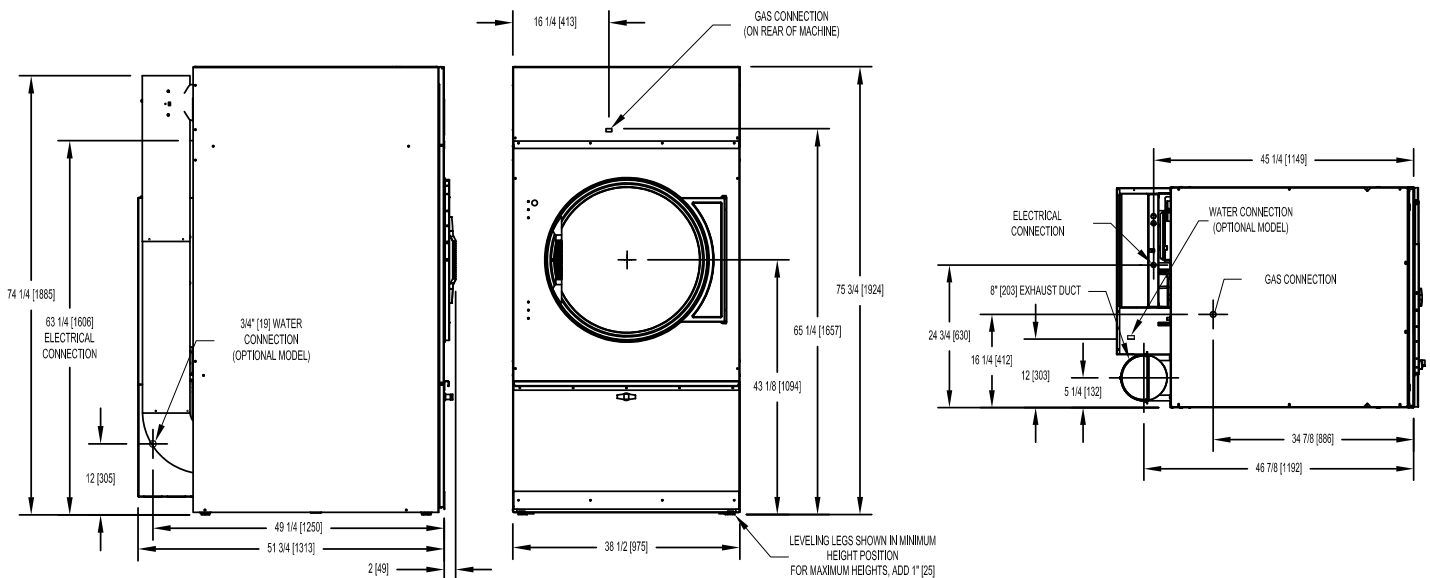
Model	Volts / Hz / Phase / Wiring	Circuit Breaker / Running Amps / Wire Size / Reversing
-10	120 / 60 / 1 / 2 wire + ground	15 / 10.4 / #12 / Reversing
-11	208-240 / 60 / 1 / 2 wire + ground	15 / 5.5 / #12 / Reversing
-15	208-240 / 60 / 1 / 2 wire + ground	15 / 5.5 / #12 / Non-Rev
-15	120 / 60 / 1 / 2 wire + ground	15 / 10.4 / #12 / Non-Rev
-39	230 / 50 / 1 / 2 wire + ground	10 / 5.2 / 2.1 mm ² / Both

Installation Recommendations:

Minimum Clearance Between Machines - in (cm)	0	(0)
Minimum Clearance Behind Machines - in (cm)	18	(45.7)
Make-Up Air Required - sq ft (sq cm)	1.5	(1394)
Exhaust Size - in (cm)	8	(20.3)
Max. Exhaust Back Pressure (Water Column) - in (mm)	0.3	(7.6)
Recommended Exhaust Length - ft (m) & 2 elbows	14	(4.3)

Water Requirements for Fire Response Models:

Water Inlet Size - in (mm)	3/4	(19)
Pressure (min/max) - psi (kPa)	40-120	(276-827)



SIDE

FRONT

TOP

Due to continuous product improvements specifications are subject to change, please consult the installation manual for the most accurate information.
 *Agency approvals may vary depending on the machine configuration, consult Dexter Laundry or your Dexter Authorized Distributor for details.