

# Section 6

## Parts Data

### Thoroughbred 300

#### Accessories

<b>Models</b>	<b>WCN18AA</b>	<b>120</b>	<b>volts</b>	<b>60hz.</b>	<b>Single Phase</b>
	<b>WCN18AB</b>	<b>208-240</b>	<b>volts</b>	<b>60hz.</b>	<b>Three Phase</b>

**MODELS**  
**WCN18**  
**A A**  
**A B**

<b>Part Number</b>	<b>Description</b>		
9990-027-011	Hose, Water Supply (furnished) .....	2	2
8641-242-000	Washer, Inlet Hose (furnished) .....	2	2
9565-003-001	Strainer, Inlet Hose (furnished) .....	2	2
9242-417-001	Drain hose 10 ft. length		
9732-140-001	Manual Operation Kit		
9539-474-001	Switch, Blk/Red (included in kit)		
9539-474-002	Switch, Blk/Wht (included in kit)		
8545-055-002	Electrical Probe 100-600VAC		
8545-055-001	Electrical Probe 24-90 VAC		
8538-151-001	Sealing compound		
8545-051-002	TORX#20		
8545-051-003	Special Tool For Removing Coin Acceptor Mounting Screws. (T-10 Torx)		
Grip-O-Matic #1038	Puller to Remove Pulley and Bearing Housing from Shaft on T-300		

# CABINET AND FRONT PANEL GROUP

Key	Part Number	Description	MODELS	
			WCN18	
			A	A
			A	B
1	9454-635-006	Panel, Side (Left) - Stainless .....	1	1
2	9454-635-005	Panel, Side (Right) - Stainless .....	1	1
3	9545-018-018	Screw, (Side Panel to Base) .....	6	6
*	8640-414-006	Nut, Hex .....	6	6
*	9029-066-001	Bracket, Side Panel .....	1	1
*	8640-413-002	Nut, Hex .....	2	2
*	9545-008-026	Screw .....	2	2
4	9454-668-001	Panel Assy, Front .....	1	1
*	9059-063-004	Band, Edge Protector .....	1	1
*	8640-399-008	Nut, Spring (Attaches Top of Panel) .....	3	3
*	9545-008-026	Screw, Hex (Attaches Top of Panel) .....	5	5
5	9545-008-014	Screw, Flat Head .....	2	2
5	8641-585-001	Washer, Finish .....	2	2
*	8640-399-008	Nut, Spring-To Front Panel .....	2	2
*	9545-008-023	Screw, Guide .....	2	2
6	8502-624-002	Label, Door Opening .....	1	1
7	9454-665-002	Panel, Control (Mounts Nameplate) .....	1	1
*	9545-008-006	Screw, Control Panel Mtg .....	4	4
8	9412-074-003	Nameplate, Control Panel T-300 .....	1	1
9	9454-662-001	Panel, Top .....	1	1
10	8650-012-003	Lock, Top (w/Key) .....	1	1
*	9306-025-001	Key, Top-6324 .....	1	1
*	9095-038-001	Cam, Lock-Top .....	1	1
*	8640-426-001	Nut, 9/32 .....	1	1
*	8641-581-008	Washer .....	1	1
11	9108-096-001	Door, Lower Service .....	1	1
12	9244-081-001	Handle (bumper guard) .....	1	1
*	9545-045-010	Screw .....	4	4
13	9545-008-014	Screw Mtg., Flat Head .....	2	2
13	8641-585-001	Washer, Finish .....	2	2
*	9545-008-023	Screw, Guide .....	2	2
14	9108-095-003	Door, Dispenser .....	1	1
*	9451-191-001	Pin, Plain ss .....	2	2
15	9467-025-001	Post, Door Mounting .....	2	2
*	9545-045-002	Screw, Dispenser Post Mtg .....	4	4
*	9545-008-012	Screw, Dispenser Mounting .....	4	4
*	8640-399-007	Nuts, Spring .....	4	4
*	9086-017-001	Catch, Top Panel .....	2	2
*	9467-024-001	Post, Top Locator .....	2	2
*	8640-411-003	Nut, Keys .....	2	2
*	9355-001-001	Locator, Panel .....	2	2
*	9545-008-025	Screw,#10 .....	2	2
16	9021-001-010	Acceptor, Coin (25c) .....	1	1
17	9732-122-001	Box Ass'y Coin(see coin box group) .....	1	1
*	Not Illustrated			

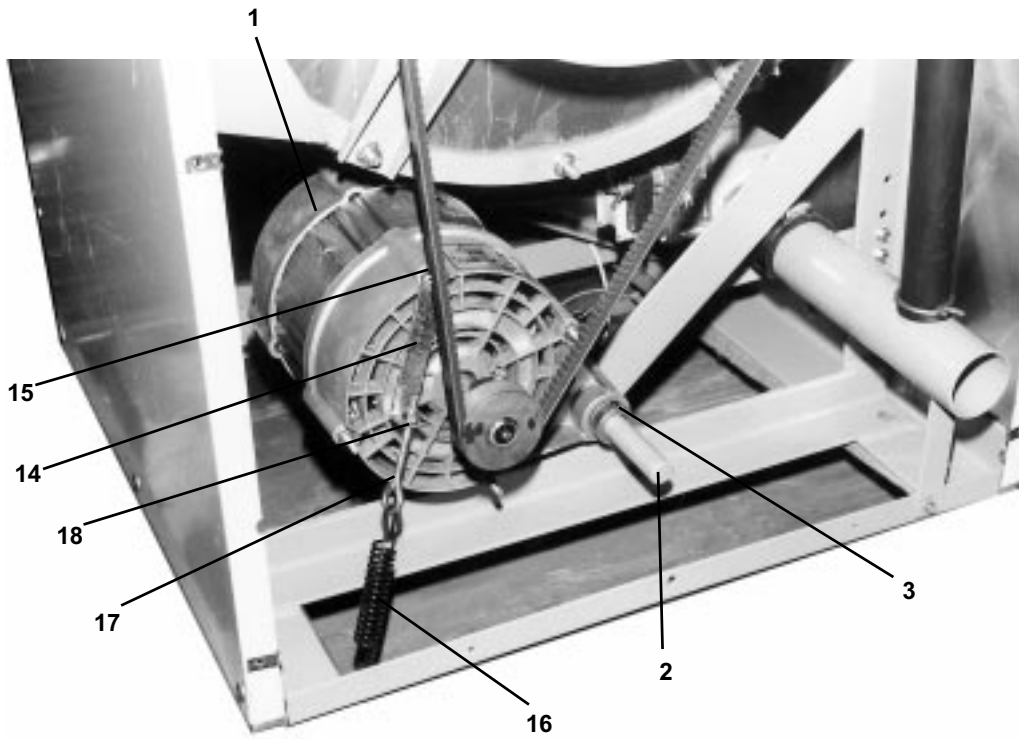
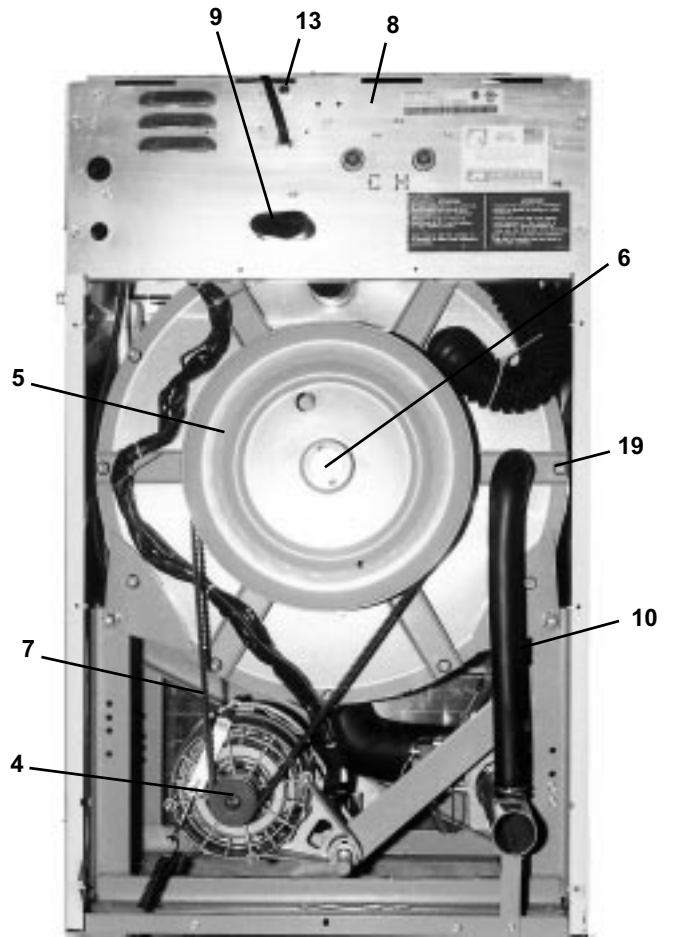
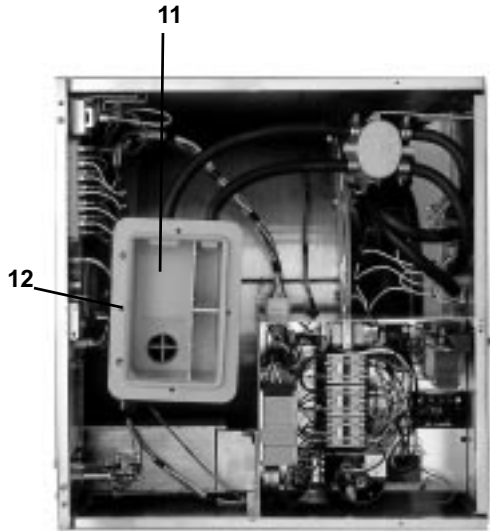


## REAR VIEW

Key	Part Number	Description	MODELS	
			WCN18	
			A	A
			A	B
1	9732-127-009	Drive Motor, 1 Phase .....	1	
1	9732-127-010	Drive Motor, 3 Phase .....		1
2	9497-222-002	Rod, Motor Mtg .....	1	1
3	9545-029-005	Screw (end of motor rod) .....	1	1
3	8641-582-014	Lockwasher (end of motor rod) .....	1	1
3	9076-052-002	Collar, Shaft (w/set screws) .....	3	3
*	9053-067-001	Bushing, Motor Hangar .....	2	2
4	9453-169-006	Pulley, Motor .....	1	1
*	9545-028-015	Set Screw, Sq. Hd. ....	2	2
5	9908-041-002	Pulley, Driven .....	1	1
6	9545-017-009	Screw .....	1	1
6	8641-581-026	Washer, Flat .....	1	1
6	8641-582-016	Lockwasher .....	1	1
7	9040-076-004	Drive Belt .....	1	1
8	9081-099-001	Channel, Rear .....	1	1
*	9545-008-026	Screw .....	4	4
*	8640-399-004	Nut, Spring .....	4	4
9	9242-463-001	Hose, Overflow 9" .....	1	1
10	9242-449-002	Hose, Overflow .....	1	1
*	8654-029-000	Clamp, Hose .....	2	2
11	9122-005-004	Dispenser--(washcompound) .....	1	1
12	9206-416-001	Gasket, Dispenser .....	1	1
*	9454-632-001	Panel Assy., Back .....	1	1
*	9545-008-026	Screw .....	10	10
*	8640-399-004	Nut, Spring .....	10	10
*	9242-175-000	Hose, Pressure Switch .....	1	1
*	8654-117-015	Clamp, Pressure Sw. Hose .....	1	1
13	5198-211-002	Circuit Breaker, 1.5 amp (3-phase) .....	1	1
*	5198-211-004	Circuit Breaker, 7 amp (1-phase) .....		1
14	9029-027-003	Strap, Motor Tension .....	1	1
15	8640-413-002	Nut, Strap to Motor .....	1	1
15	8641-581-006	Washer .....	1	1
16	9534-319-002	Spring, Belt Tension .....	1	1
17	9545-055-001	Bolt, Eye 1/4-20x2 1/2" .....	1	1
18	8640-414-003	Nut, 1/4 Elastic Stop .....	1	1
19	9545-029-003	Screw, 3/8"x 1 1/2" .....	12	12
*	8640-415-004	Nut, Flange Lock .....	12	12
*	9552-038-003	Shim .....	AR	AR
*	9456-041-007	PLASTIC PLUG(inside cylinder) .....	1	1
*	9454-632-001	Back Panel .....	1	1

\* Not Illustrated

Rear View

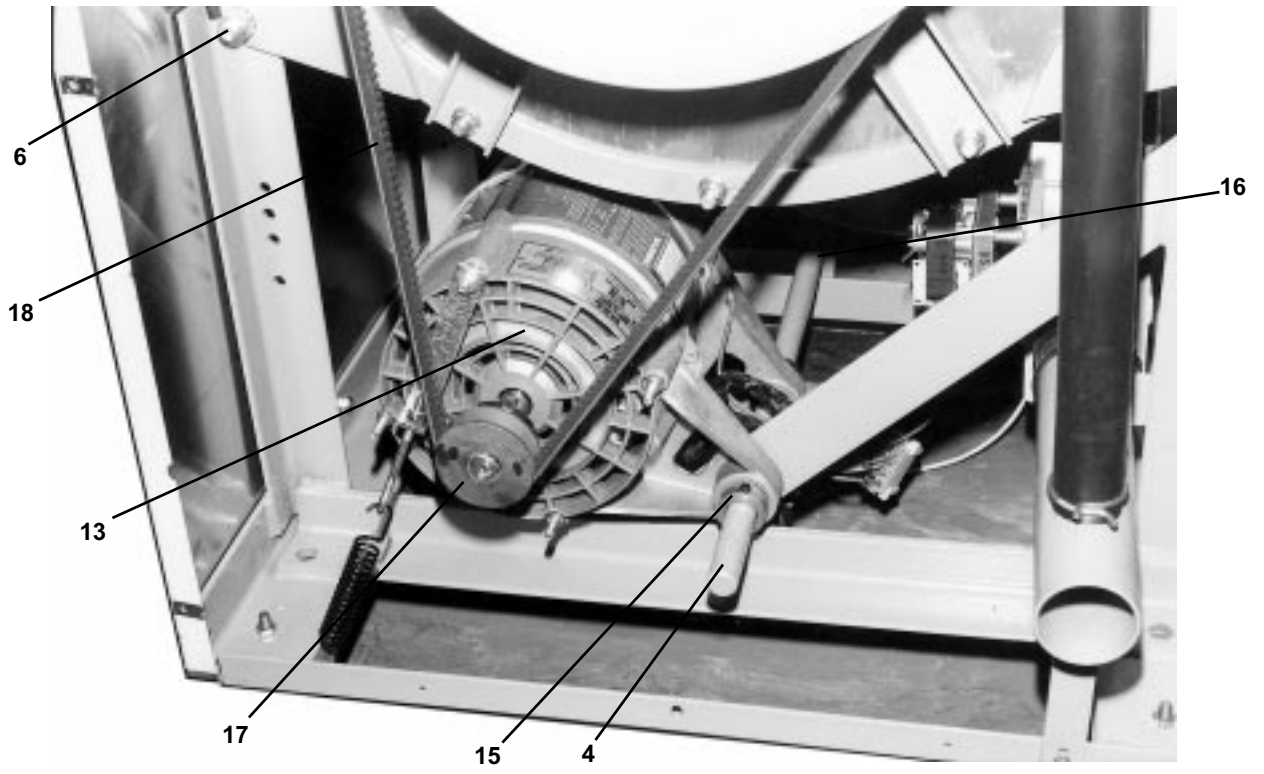
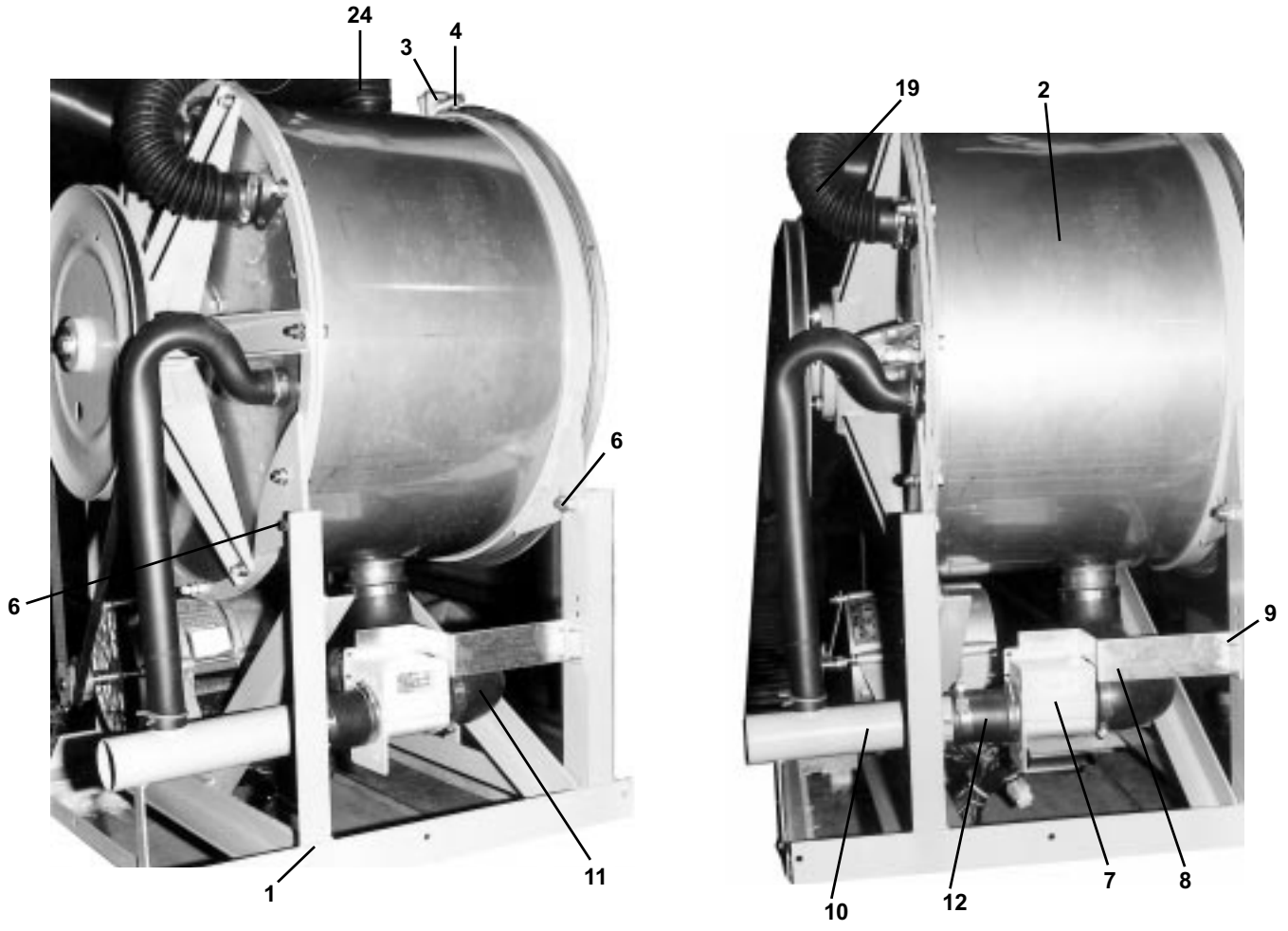


## CHASSIS AND DRAIN GROUP

Key	Part Number	Description	MODELS	
			WCN18	
			A	A
			A	B
1	9945-093-002	Base Assy, Frame .....	1	1
2	9930-135-001	Tub Assy .....	1	1
3	9950-045-002	Ring Assy, Tub Mtg-Front .....	1	1
4	9545-017-012	Bolt, Top Front Ring 1/2" x 3" .....	1	1
4	8641-582-016	Lockwasher .....	1	1
4	8640-417-002	Nut .....	1	1
6	9545-017-009	Screw, Front & Rear Rings to Base 1/2" x 1 1/4" .....	4	4
6	8641-582-016	Lockwasher .....	4	4
6	8640-417-002	Nut .....	4	4
7	9379-177-006	Valve, Drain ( 2 1/4" ball type) .....	1	1
8	9029-005-001	Bracket, Drain Valve .....	1	1
*	9545-048-001	Screw, Valve to Bracket .....	1	1
*	8641-581-018	Washer .....	1	1
9	9545-030-002	Screw, Bracket to Base .....	2	2
10	9915-116-004	Tube Assy, Drain .....	1	1
*	9545-030-002	Screw, Tube Mtg .....	2	2
11	9242-455-001	Hose, Tub to Drain Valve .....	1	1
12	9242-451-002	Hose, Drain Valve to Outlet .....	1	1
*	8654-117-014	Clamp, Hose .....	3	3
<b>13</b>	<b>9732-127-009</b>	<b>Motor, Drive (1 PH) .....</b>	<b>1</b>	
<b>13</b>	<b>9732-127-010</b>	<b>Motor, Drive (3 PH) .....</b>		<b>1</b>
<b>14</b>	<b>9497-222-002</b>	<b>Rod, Motor Mtg .....</b>	<b>1</b>	<b>1</b>
<b>15</b>	<b>9076-052-002</b>	<b>Collar, Shaft .....</b>	<b>2</b>	<b>2</b>
<b>16</b>	<b>9545-029-005</b>	<b>Screw, Motor Mtg Rod .....</b>	<b>1</b>	<b>1</b>
<b>16</b>	<b>8641-582-014</b>	<b>Lockwasher .....</b>	<b>1</b>	<b>1</b>
<b>17</b>	<b>9453-169-006</b>	<b>Pulley, Motor .....</b>	<b>1</b>	<b>1</b>
*	<b>9545-028-015</b>	<b>Set Screw, Sq. Hd .....</b>	<b>2</b>	<b>2</b>
<b>18</b>	<b>9040-076-004</b>	<b>Belt, Drive .....</b>	<b>1</b>	<b>1</b>
*	9552-038-003	Shim, Support Assembly .....	AR	AR
19	9242-458-001	Vacuum Breaker to Tub .....		
24	9242-450-002	Hose, Dispenser to Tub .....	1	1
*	8654-117-008	Clamp, Dispenser Hose .....	2	2

\* Not Illustrated

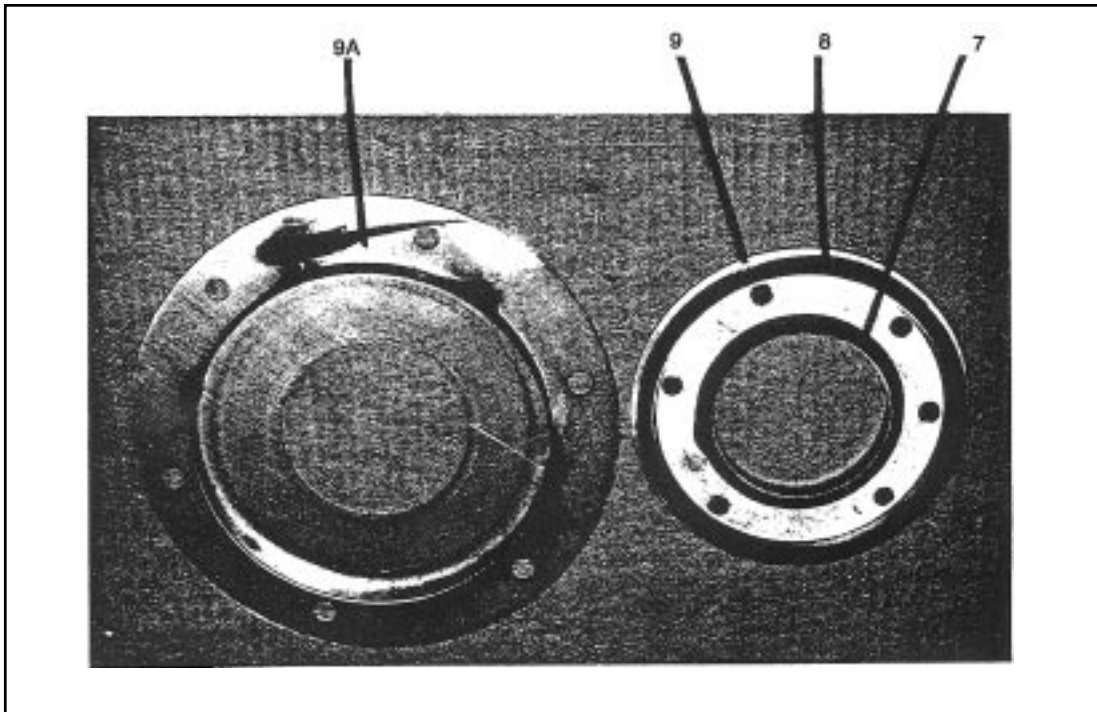
# Chassis and Drain Group



# BEARING HOUSING AND PULLEY GROUP

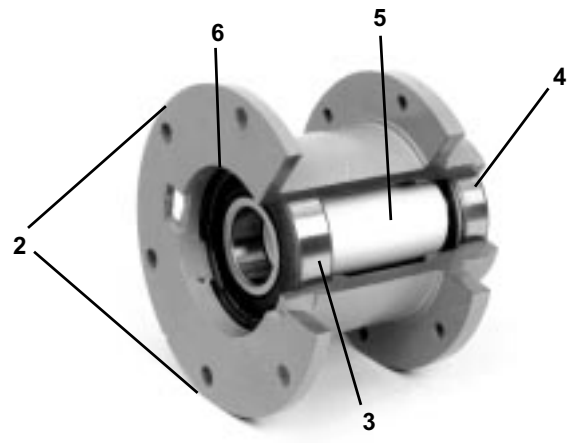
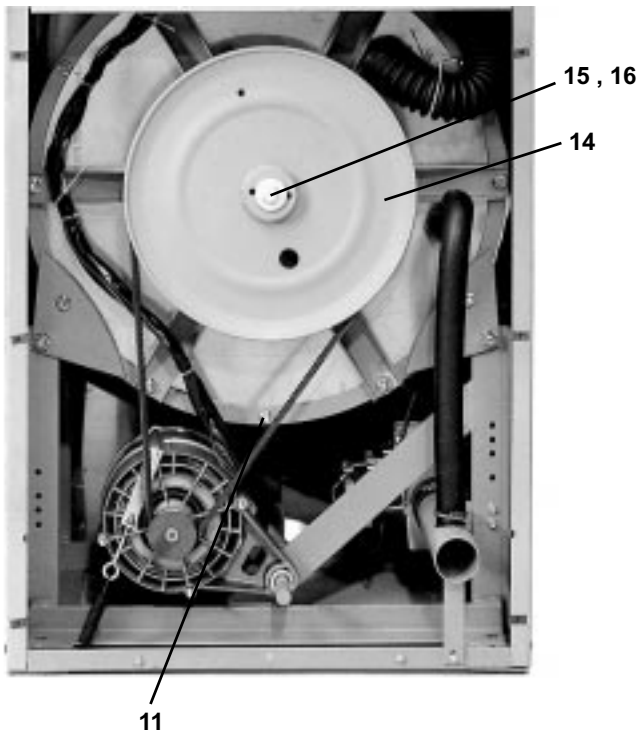
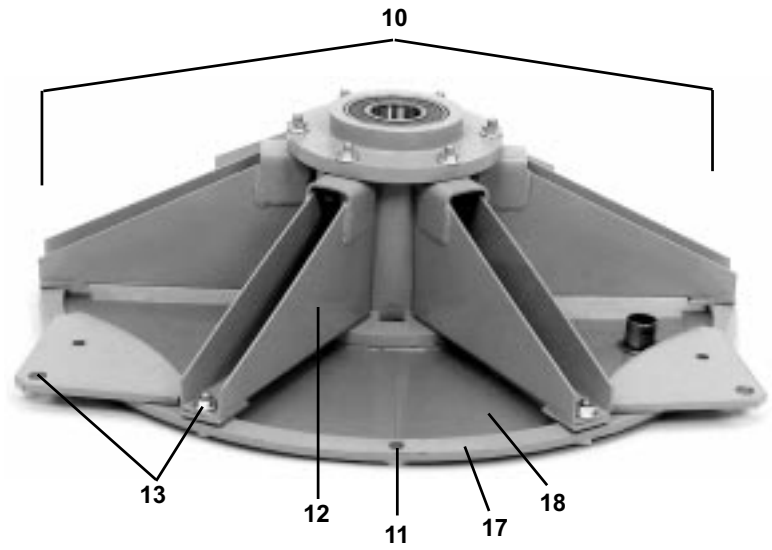
Key	Part Number	Description	MODELS	
			WCN18	
			A	B
*	9848-111-001	Cylinder, Assy .....	1	1
*	9803-182-001	Housing, Bearing- Assembly (includes items #2-#6) .....	1	1
2	9241-174-002	Housing, Bearing .....	1	1
3	9036-159-001	Bearing, Front .....	1	1
4	9036-159-003	Bearing, Rear .....	1	1
5	9538-161-001	Spacer, Bearing .....	1	1
6	9487-238-002	Ring, Bearing Retainer .....	1	1
7	9532-140-005	Seal, Secondary .....	1	1
8	9532-140-004	Seal, Primary .....	1	1
9	9950-047-001	Ring, Seal Mtg .....	1	1
9a	9950-054-001	Ring, Seal Ass'y Tub Back .....	1	1
10	9962-012-001	Back Assy, Tub .....	1	1
11	9545-017-009	Screw, 1/2 x 1 1/4 Grade 5 .....	6	6
11	8640-417-002	Nut .....	6	6
11	8641-582-016	Lockwasher .....	6	6
12	9991-049-002	Support Assy., Bearing Housing .....	6	6
13	9545-029-003	Screw, 3/8 x 1 1/2 Grade 8 .....	6	6
13	8640-415-004	Nut .....	6	6
14	9908-041-002	Pulley, Driven .....	1	1
15	9487-234-002	Ring, Tolerance .....	1	1
16	8641-581-026	Washer .....	1	1
16	9545-017-009	Screw .....	1	1
16	8641-582-016	Lockwasher .....	1	1
17	9950-046-002	Ring ass'y Tub Mtg. rear .....	1	1
18	9050-031-005	Tub Back only		

\* Not Illustrated





# Bearing Housing and Pulley Group

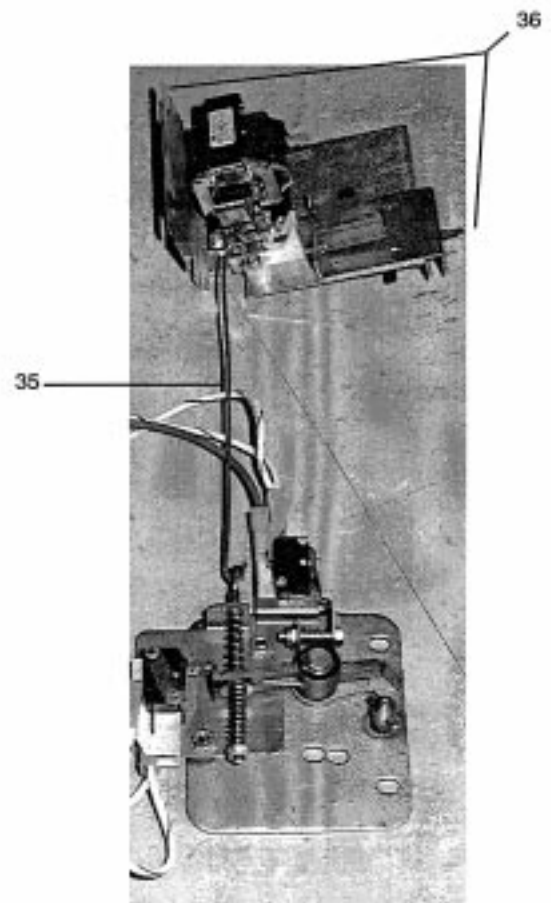
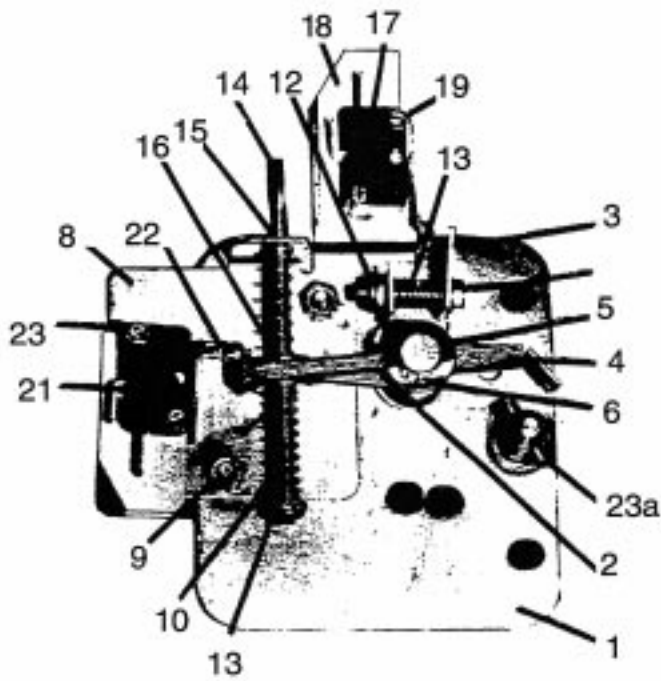
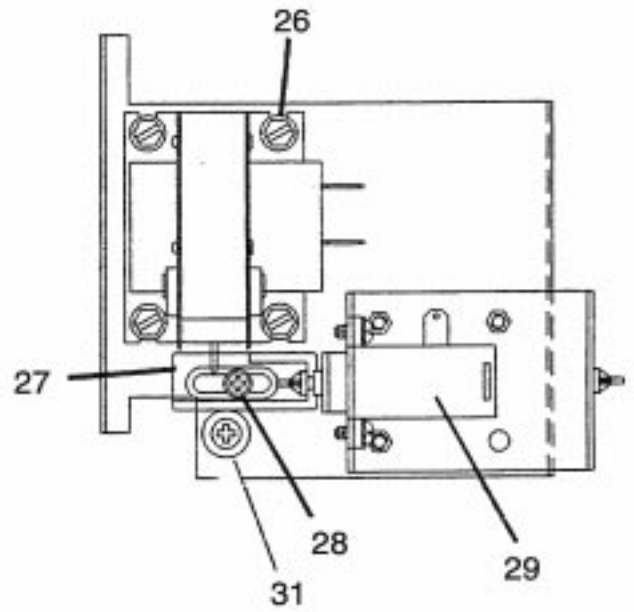
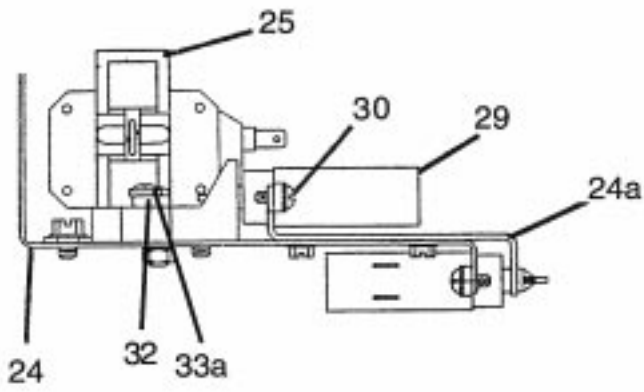


# DOOR LOCK GROUP

Key	Part Number	Description	MODELS	
			WCN18	
			A	A
			A	B
*	9885-023-001	Lock Assy, Complete (includes #1 thru #23) .....	1	1
1	9982-284-001	Plate Assy, Door Lock .....	1	1
2	8641-581-030	Washer, Flat .....	1	1
3	9008-005-001	Actuator, Latching Switch .....	1	1
4	9450-002-002	Pawl, Locking .....	1	1
5	8641-569-003	Washer, Spring .....	1	1
6	9487-200-004	Ring, Retaining .....	1	1
8	9029-035-001	Bracket, Switch .....	1	1
9	8640-413-002	Nut, Hex .....	2	2
10	9534-364-002	Spring, Actuating .....	1	1
11	9545-012-020	Screw, Hx. ....	1	1
12	8640-413-004	Nut, Elastic Stop .....	2	2
13	9534-364-001	Spring, Return .....	2	2
14	9451-193-001	Pin, Guide .....	1	1
15	9487-200-005	Ring, Retaining .....	1	1
16	8641-581-031	Washer .....	2	2
17	9539-461-008	Switch, Latching Sensing .....	1	1
18	9550-169-003	Shield, Switch .....	3	3
19	9545-020-001	Screw .....	2	2
20	8640-401-001	Nut, Twin .....	2	2
21	9539-461-007	Switch, Locking Sensing .....	2	2
22	9008-006-002	Actuator, Switch .....	2	2
23	9545-020-003	Screw .....	2	2
23	8640-401-001	Nut, Twin .....	1	1
23a	9451-181-004	Pin ,Dowel .....	1	1
*	9552-037-001	Shim, Door Lock, Thin .....	AR	AR
*	9552-037-002	Shim, Door Lock, Thick .....	AR	AR
*	9545-018-014	Screw, Lock mtg 1/4-20x3/4 .....	3	3
*	8641-582-007	Lockwasher .....	3	3
36	9922-011-001	Solenoid Ass'y Door Locking(includes 24 thru 34 ) .....	1	1
24	9029-073-001	Bracket, Solenoid .....	1	1
24a	9985-169-001	Bracket ass'y Solenoid Slide .....	1	1
25	9536-074-001	Solenoid .....	1	1
26	9545-008-001	Screw, Solenoid Mtg .....	4	4
27	9540-033-001	Stop, Door Lock Solenoid .....	1	1
28	9545-061-001	Screw, Shoulder .....	1	1
29	9586-001-001	Thermoactuator .....	2	2
30	9545-031-005	Screw .....	2	2
31	9538-157-004	Spacer, Plastic .....	1	1
32	9538-166-004	Spacer, Metal .....	1	1
33a	9545-010-001	Screw, Cross Recessed .....	1	1
*	8640-412-005	Nut, Keps #8 .....	1	1
*	8640-411-003	Nut, Keps #6 .....	2	2
*	8640-413-002	Nut, Sol. Brkt. to Control Panel .....	3	3
35	9497-225-004	Rod, Pull .....	1	1

\* Not Illustrated

# Door Lock Group

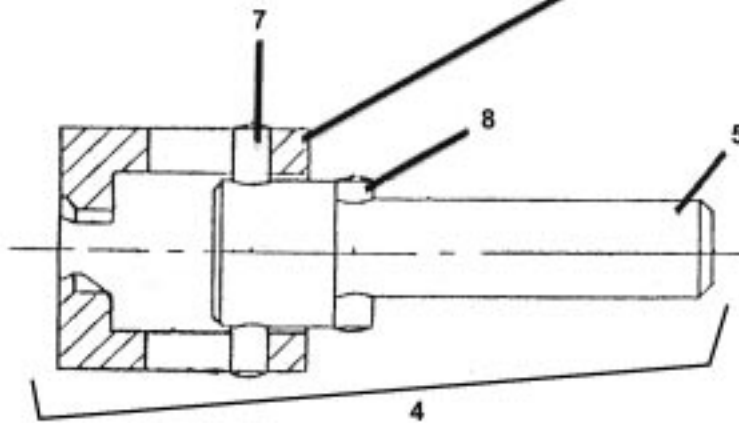
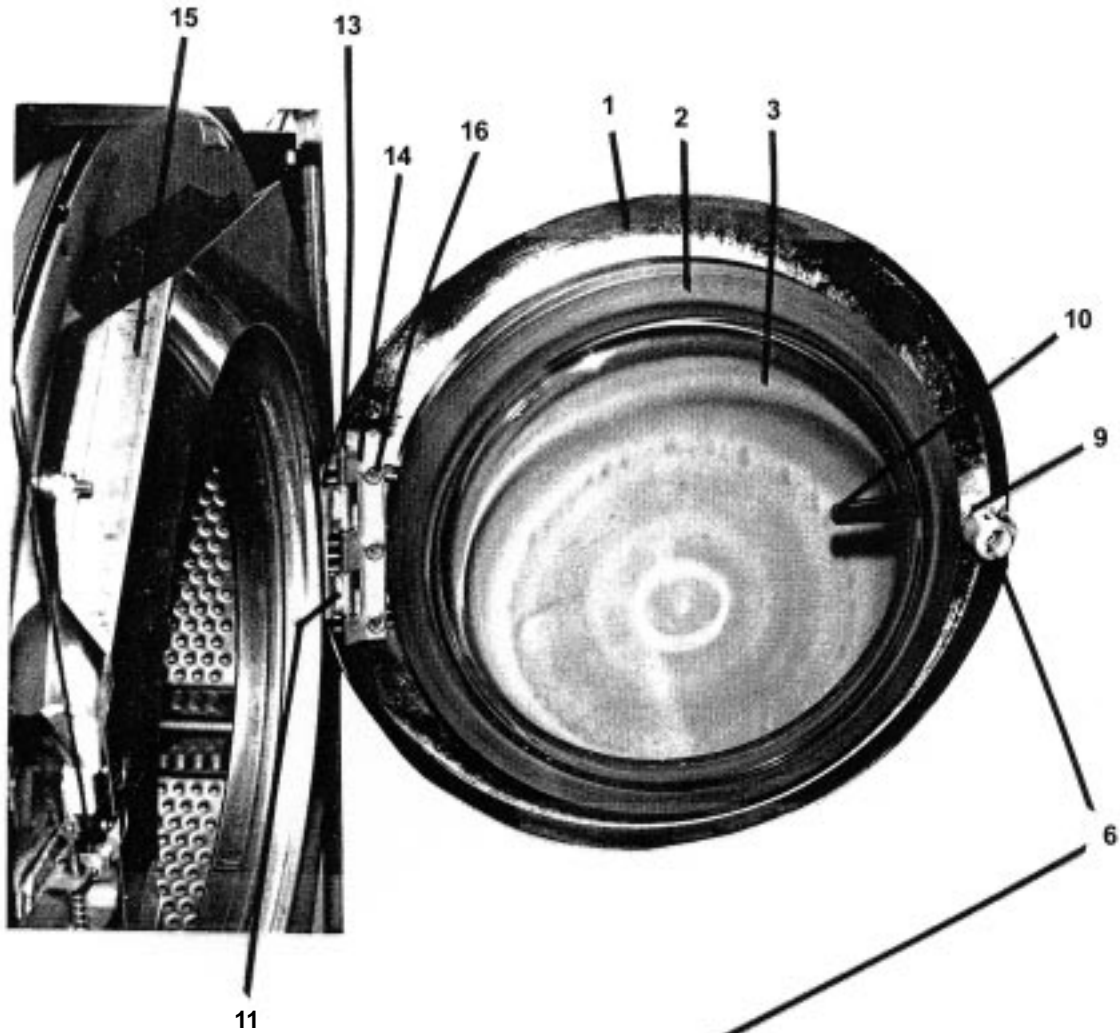


# LOADING DOOR GROUP

Key	Part Number	Description	MODELS	
			WCN18	
			A	A
			A	B
*	9960-259-003	Loading Door, Complete (includes #1 thru #10) .....	1	1
1	9487-245-001	Loading Door, Ring .....	1	1
2	9206-411-002	Gasket, Loading Door .....	1	1
3	9635-018-001	Window, Loading Door Glass .....	1	1
4	9913-134-003	Shaft Assy, Locking (includes #5 thru #8) .....	1	1
5	9537-195-002	Shaft, Door Locking .....	1	1
6	9095-040-001	Cam, Locking .....	1	1
7	9451-181-005	Pin, Groove (1 1/4) .....	1	1
8	9451-181-004	Pin, Groove (3/4) .....	1	1
9	9534-360-002	Spring, Lock Cam .....	1	1
10	9244-080-003	Handle, Door .....	1	1
*	9451-181-006	Pin, Door Handle (groove) .....	1	1
11	9955-029-001	Hinge Assy, Loading Door .....	1	1
*	9545-014-009	Screw, Hinge Mtg .....	3	3
*	8641-582-009	Lockwasher .....	3	3
*	9552-036-001	Shim, Loading Door Hinge, Thin .....	AR	AR
*	9552-036-002	Shim, Loading Door Hinge, Thick .....	AR	AR
13	9451-184-003	Pin, Loading Door Hinge .....	1	1
*	8649-031-000	Ring, Retaining .....	1	1
14	9079-122-001	Clamp, Loading Door Hinge Pin .....	1	1
16	9545-056-001	Screw, Loading Door Mtg .....	3	3
15	9487-251-001	Ring, Masking .....	1	1
*	8640-413-002	Nut .....	4	4
	9732-139-002	Kit Door Gasket Expansion (large)		
	9732-139-001	Kit Door Gasket Expansion (small)		

\* Not Illustrated

# Loading Door Group

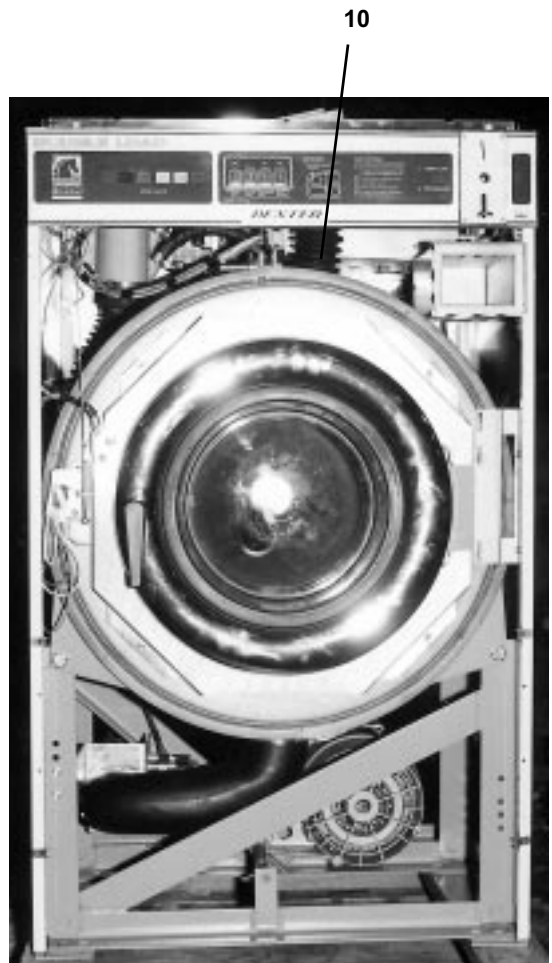
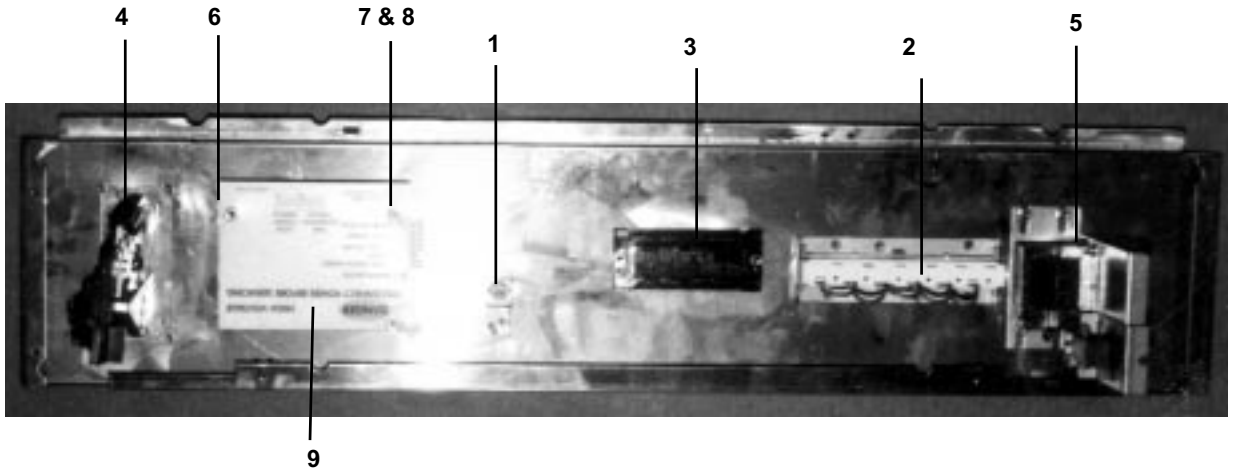


## CONTROL PANEL GROUP

Key	Part Number	Description	MODELS	
			WCN18	
			A	A
			A	B
1	3310-042-001	Light, Bleach .....	1	1
2	3310-041-001	Light, Cycle Control .....	1	1
*	9206-100-001	Gasket, Light .....	2	2
3	9539-479-009	Switch, Push-button (cycle selector) .....	1	1
*	9412-074-003	Label, Complete (DOUBLE LOAD) .....	1	1
*	8640-412-005	Nut, Switch Mtg .....	2	2
*	9545-031-011	Screws #6Tx5/16 .....	4	4
4	9021-001-010	Acceptor, Coin .....	1	1
*	9545-020-004	Screw, Acceptor Mtg .....	4	4
*	8640-424-002	Nut .....	4	4
*	9732-126-001	Switch, Coin .....	1	1
5	9029-073-001	Bracket, Solenoid (see Door Lock Group for breakdown) .....	1	1
6	9020-005-001	Accumulator, Coin .....	1	1
7	9538-157-003	Spacer .....	3	3
8	8640-412-005	Nut, Hx .....	6	6
9	9550-174-001	Shield, Circuit Board .....	1	1
10	9242-450-002	Hose, Dispenser to Tub .....	1	1
*	8654-117-008	Clamp .....	2	2

\* Not Illustrated

### Control Panel Group



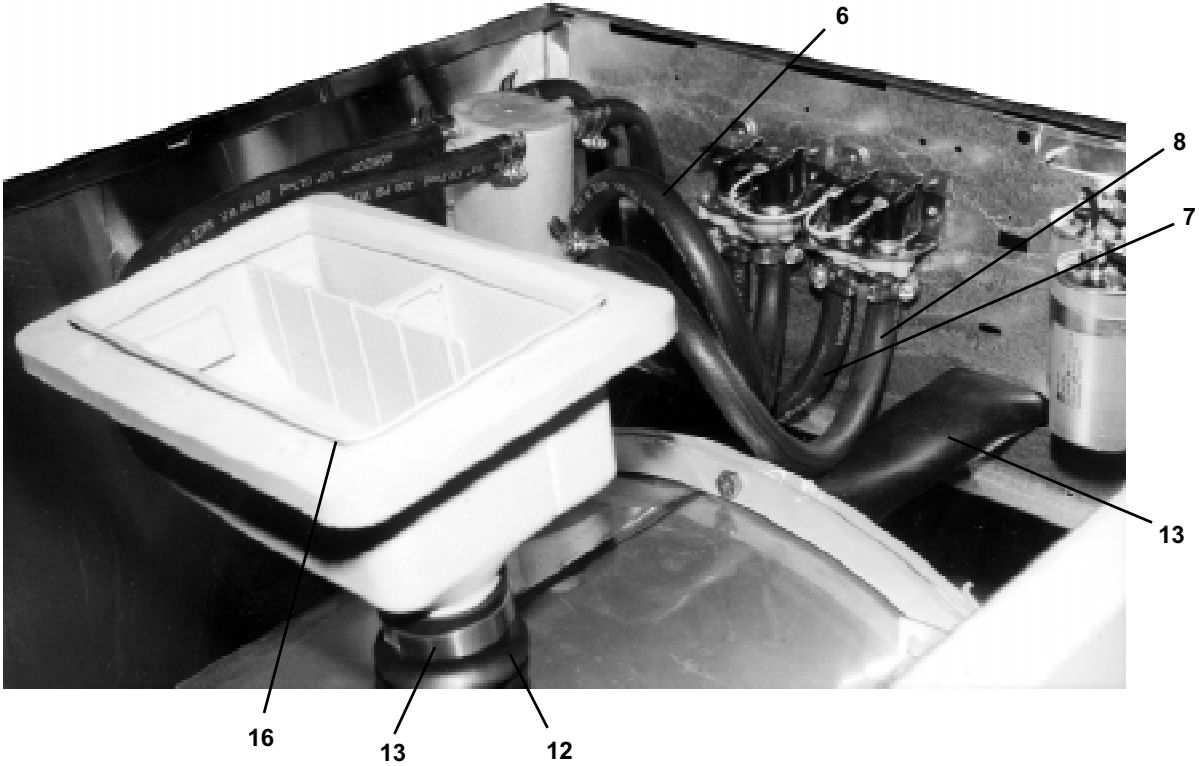
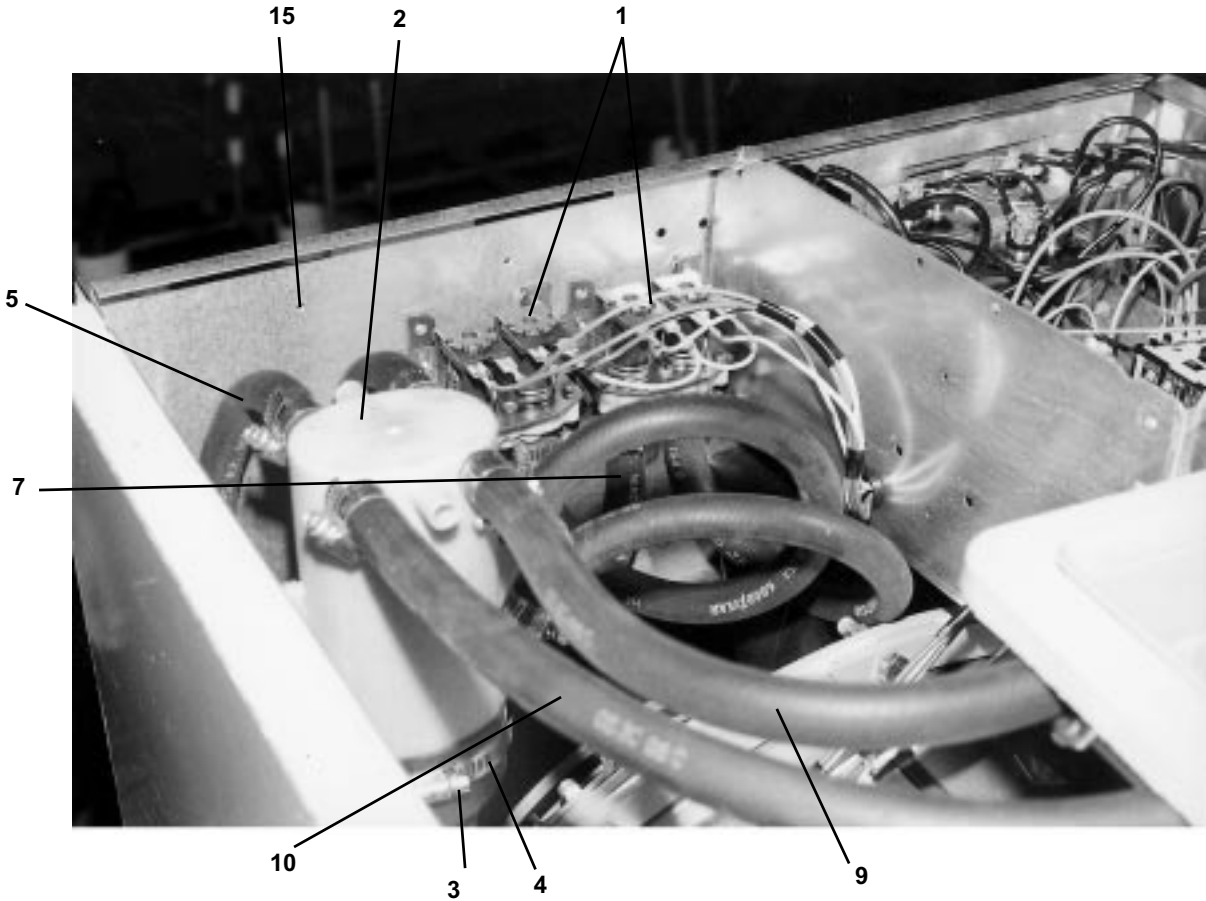
## WATER INLET GROUP

Key	Part Number	Description	MODELS	
			WCN18	
			A	A
			A	B
1	9379-183-001	Valve, Water Inlet .....	2	2
		(see Water Inlet Valve Breakdown for individual parts)		
*	9545-008-026	Screw, Valve Mtg .....	4	4
*	8640-399-009	Nut, Spring .....	4	4
2	9610-001-001	Vacuum Breaker .....	1	1
*	9029-065-001	Bracket, Vacuum Breaker .....	1	1
*	9545-008-026	Screw .....	4	4
3	9242-458-001	Hose, Vacuum Breaker to Tub .....	1	1
4	8654-117-014	Clamp, Vacuum Breaker End .....	1	1
*	8654-117-009	Clamp, Tub End .....	1	1
5	9242-453-020	Hose, Hot Valve to Vac. Brkr 18" .....	1	1
6	9242-453-020	Hose, Hot Valve to Vac. Brkr 18" .....	1	1
7	9242-453-020	Hose, Cold Valve to Vac. Brkr 18" .....	1	1
8	9242-453-020	Hose, Cold Valve to Vac. Brkr 18" .....	1	1
9	9242-453-015	Hose, Vac. Brkr. to Rinse Disp.12 5/16" .....	1	1
10	9242-453-016	Hose, Vac. Brkr. to Wash Disp.14 1/2" .....	1	1
11	8654-117-015	Clamp, Hose-Worm .....	12	12
*	5198-211-004	Circuit Breaker .....	1	
*	5198-211-002	Circuit Breaker .....	1	
12	9242-450-002	Hose, Dispenser to Tub .....	1	1
13	8654-117-008	Dispenser Clamp .....	2	2
14	9242-463-001	Overflow hose 9" .....	1	
<b>15</b>	<b>9081-099-001</b>	<b>Channel, Rear .....</b>	<b>1</b>	<b>1</b>
16	9732-108-002	Dispenser .....	1	1
*	9206-416-001	Gasket, Dispenser .....	1	1

\* Not Illustrated



Water Inlet Group



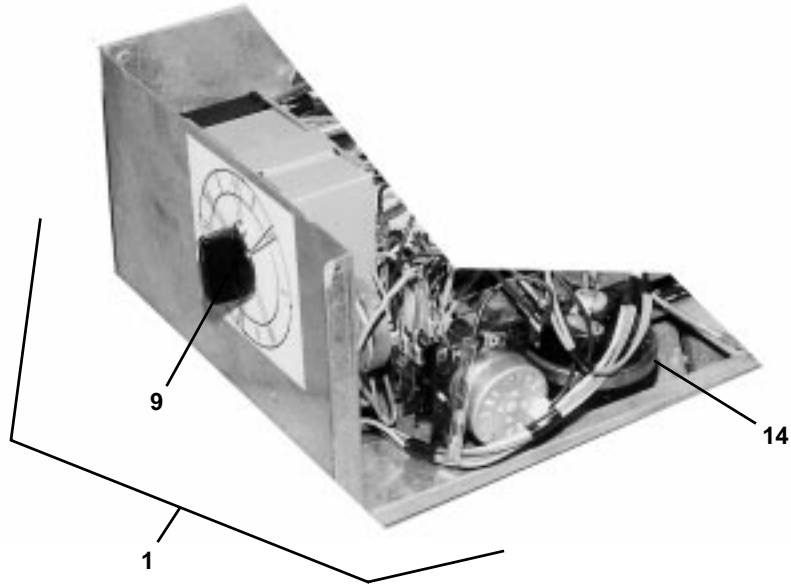
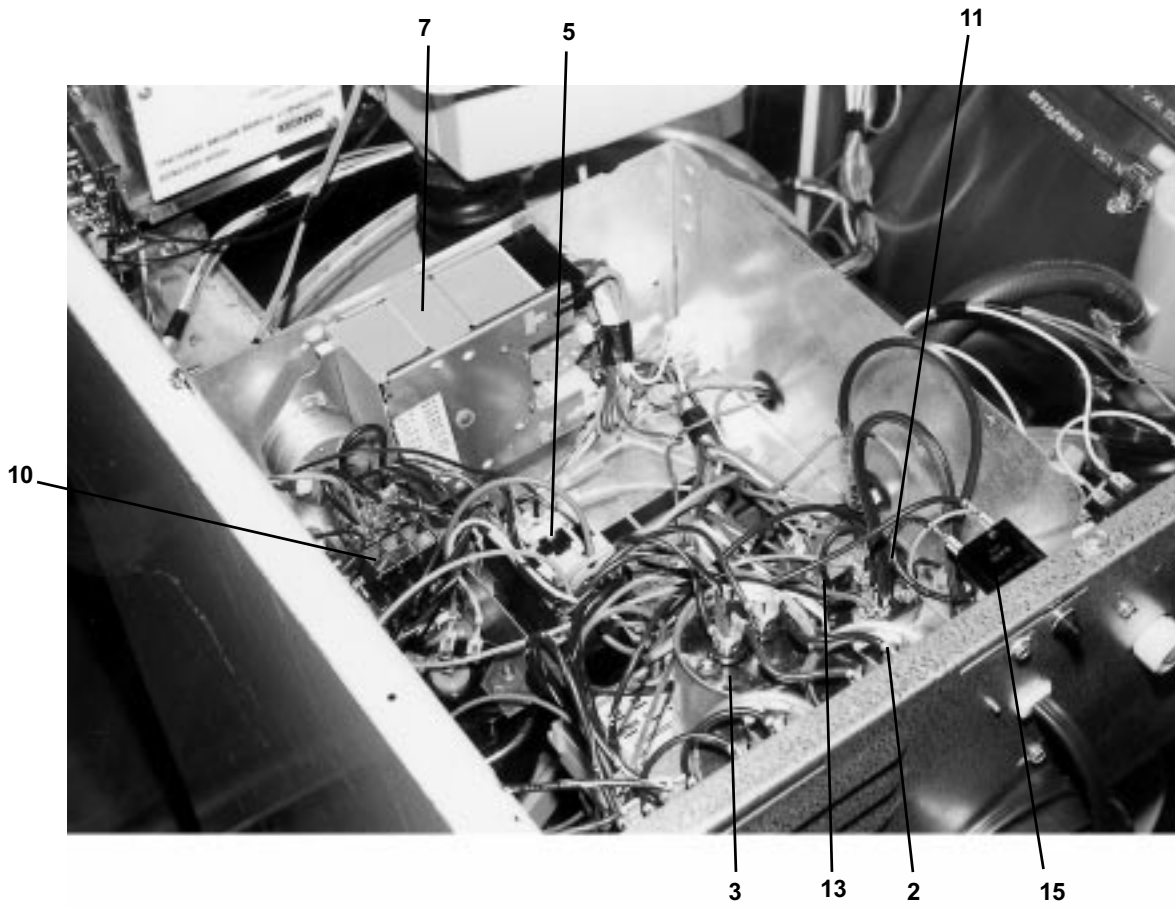
# Electrical Components - Top Compartment

## Single Phase Only

Key	Part Number	Description	MODELS	
			WCN18	
			A	A
			A	B
1	9575-034-001	Trough Assy, Mtg .....	1	
	9857-125-007	Control Assy. ....		
*	9545-008-026	Screw, Trough Sides .....	2	
*	9802-037-007	Service Cord ass'y. ....	1	
2	5191-103-007	Capacitor, Spin-Start .....	2	
3	5191-103-006	Capacitor, Run-Tumble .....	1	
	5192-103-008	Capacitor, Run-Tumble .....	1	
4	9544-055-003	Strap, Capacitor Mtg .....	1	
*	9545-045-001	Screw, Capacitor Strap .....	2	
5	5192-286-008	Relay, .....	1	
7	9571-362-001	Timer, Program .....	1	
	(VERIFY PART NUMBER ON TIMER BODY)			
*	9376-285-002	Motor, Timer Main Drive .....	1	
*	9376-286-002	Motor, Timer Rapid Advance .....	1	
*	9545-012-001	Screw, Timer Mtg .....	2	
8	9107-068-001	Dial, Timer .....	1	
9	9307-176-001	Knob, Timer (w/set screws) .....	1	
10	9571-360-001	Timer, Reversing .....	1	
*	9545-044-004	Screw, Reversing Timer .....	2	
11	9897-026-001	Terminal Block, Power Connection .....	1	
*	9545-045-002	Screw, Mtg .....	2	
*	8502-619-003	Label, Fusing .....	1	
13	8711-003-001	Transformer, (For Accumulator) .....	1	
*	9545-045-001	Screw, Transformer Mtg .....	2	
*	8641-582-005	Lockwasher .....	2	
14	9539-457-001	Switch, Pressure .....	1	
*	9545-045-001	Screw, Mtg .....	2	
15	5198-211-001	Circuit Breaker, 7 amp .....	1	
*	9483-002-001	Resistors, Motorstart .....	2	

\* Not Illustrated

**Electrical Components-Top Compartment-1 Phase**  
(1 phase control trough)



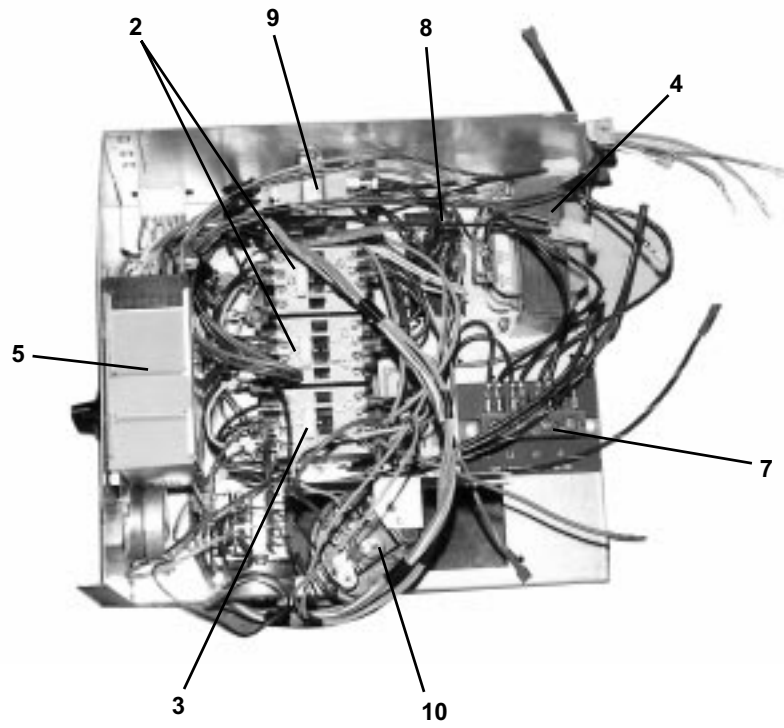
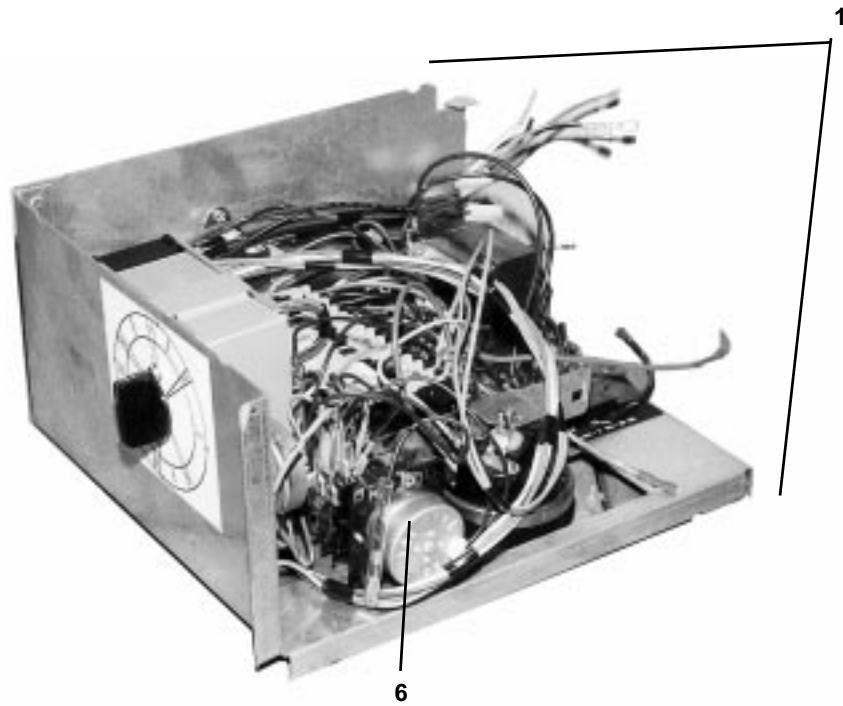
# Electrical Components - Top Compartment

## Three Phase Only

Key	Part Number	Description	MODELS	
			WCN18	
			A	A
			A	B
1	9577-047-006	Trough Assy, Mtg .....		1
	9857-125-008	Control Assy, .....		
*	9545-008-026	Screw, Trough Sides .....		2
2	5192-286-007	Relay, Tumble .....		2
3	5192-286-009	Relay, Spin .....		1
4	8711-004-001	Transformer, Control .....		1
*	9545-008-026	Screw, Mtg .....		1
*	8641-582-006	Lockwasher .....		1
5	9571-362-001	Timer, Program .....		1
	(VERIFY PART NUMBER ON TIMER BODY)			
*	9376-285-002	Motor, Timer Main Drive .....		1
*	9376-286-002	Motor, Timer Rapid Advance .....		1
*	9545-012-001	Screw, Timer Mtg .....		2
*	9107-068-001	Dial, Timer .....		1
*	9307-176-001	Knob, Timer (w/set screws) .....		1
6	9571-360-001	Timer, Reversing .....		1
*	9545-044-004	Screw, Reversing Timer .....		2
7	9897-035-002	Terminal Block, Power Connection 4 Pole .....		1
*	9545-045-002	Screw, Mtg .....		2
*	8502-619-004	Label, Fusing .....		1
8	9897-026-001	Terminal Block Assy. Power .....		1
*	9545-045-002	Screw, Mtg .....		2
*	9558-029-002	Strip, Terminal Marker .....		1
9	8711-003-001	Transformer, (For Accumulator) .....		1
*	9545-045-001	Screw, Transformer Mtg .....		2
*	8641-582-005	Lockwasher .....		2
10	9539-457-001	Switch, Pressure .....		1
*	9545-045-001	Screw, Mtg .....		2
*	5198-211-004	Circuit Breaker, 1.5 amp .....		1

\* Not Illustrated

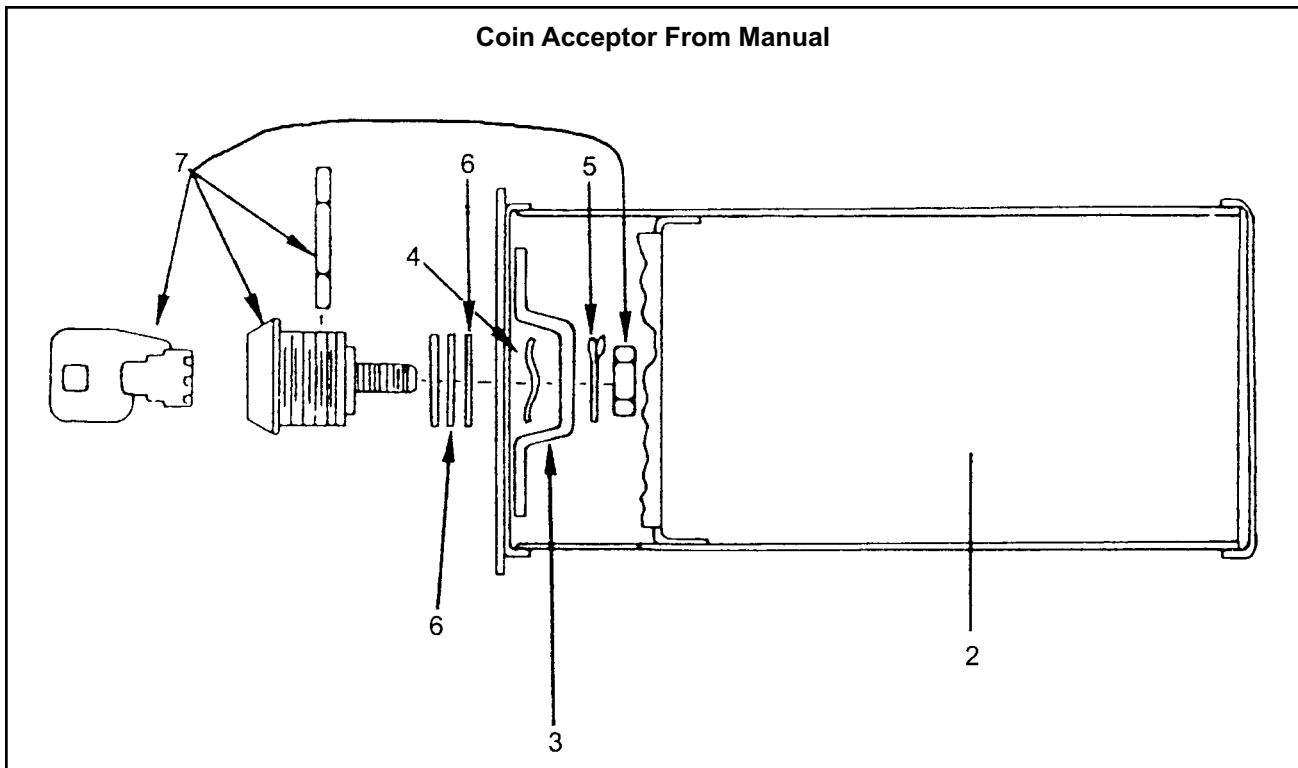
### Electrical Components-Top Compartment-3 Phase



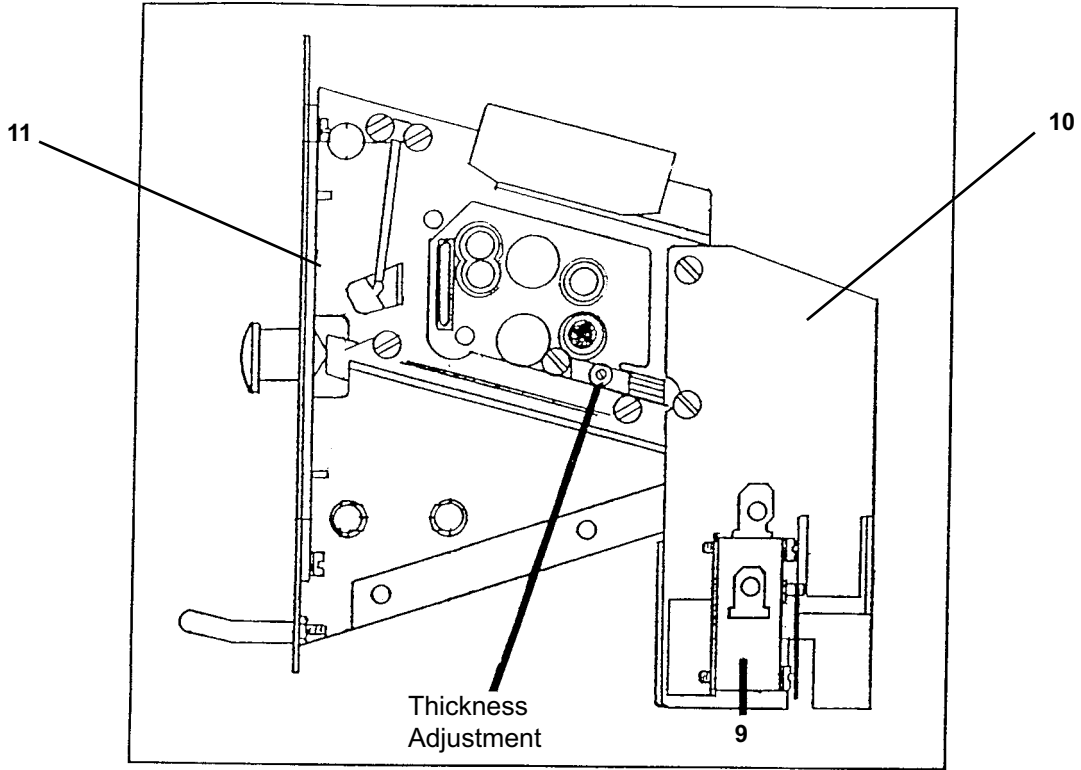
# Coin Handling Group

Key	Part Number	Description	MODELS	
			WCN18	
			A	A
			A	B
*	9942-024-007	Vault, Assy .....	1	1
*	9545-008-026	Screw, Vault Mtg .....	4	4
NOTE: COIN BOX AND HARDWARE KIT AND COIN BOX LOCK NOT INCLUDED WITH MACHINE.				
2	9732-122-001	Kit, Coin Box W/Hardware(#2-#6) .....	1	1
3	9349-033-001	Latch, Coin Box .....	1	1
4	8641-569-002	Washer, Wave .....	1	1
5	8641-583-001	Washer, Keeper .....	1	1
6	8641-581-008	Washer, Spacer- Thick .....	2	2
6	8641-581-010	Washer, Spacer- Thin .....	4	4
7	8650-012-002	Lock, Coin Box (w/key not included with 9732-122-001) .....	1	1
8	9021-001-010	Acceptor, Coin.....	1	
1				
*	9545-020-004	Screw, Acceptor Mtg.....	4	4
*	8640-424-002	Nut.....	4	4
9	9732-126-001	Switch, Coin.....	1	1
10	9119-025-002	Acceptor Chute Ass'y w/o penny ejector .....	1	1
11	9486-133-001	Button Coin Return Retainer.....	1	1

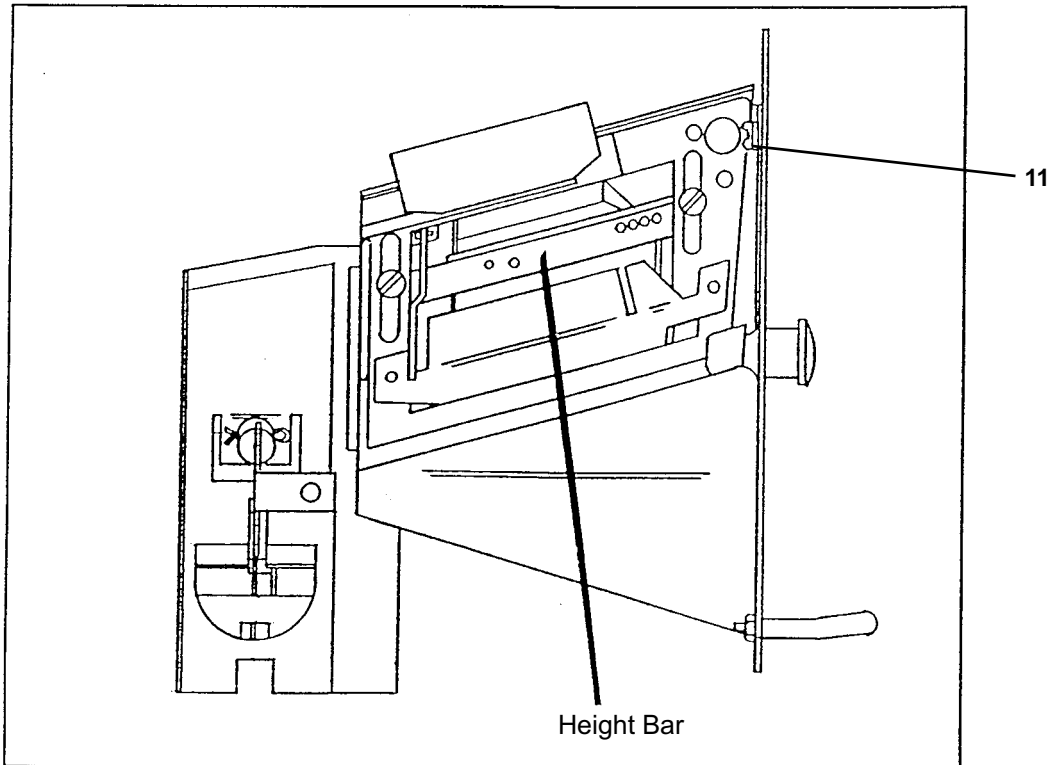
\* Not Illustrated



Coin Handling Group



#8 COIN ACCEPTOR - right side



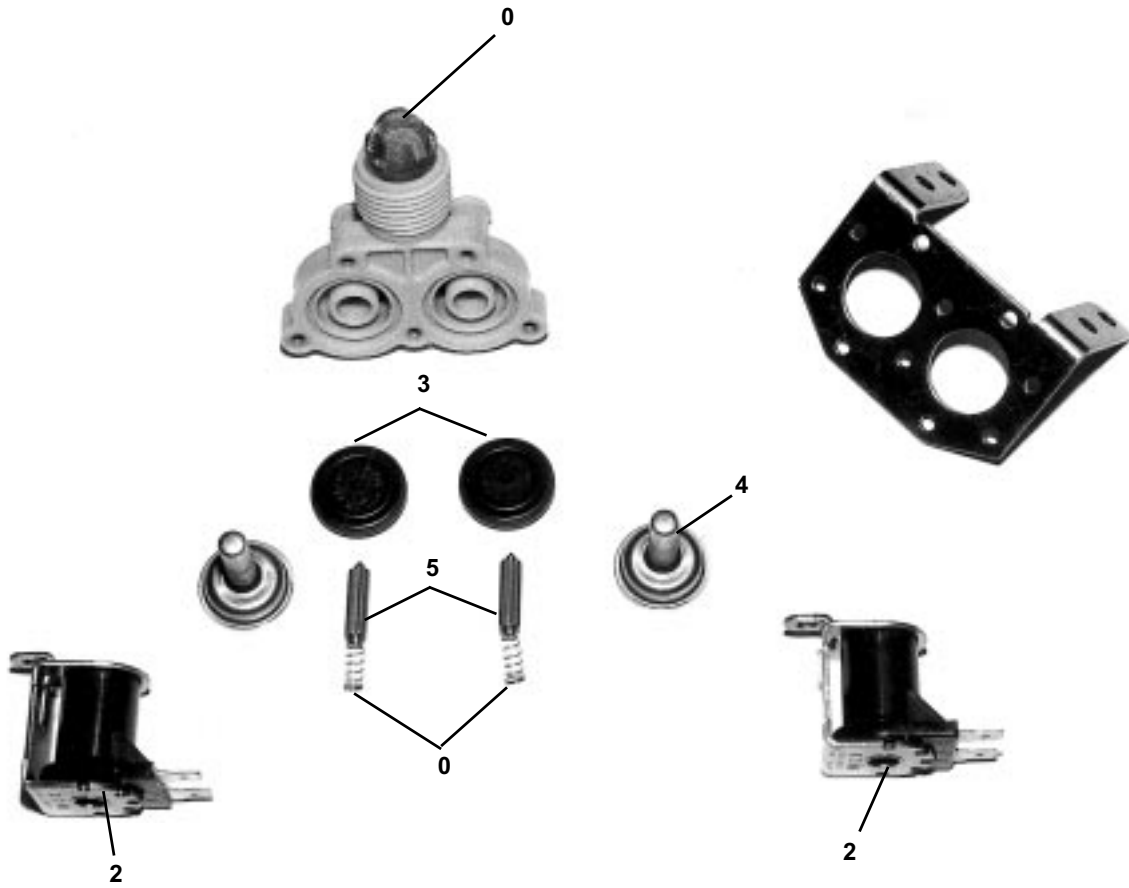
#8 COIN ACCEPTOR - left side

## Water Inlet Valve Breakdown

Key	Part Number	Description	MODELS	
			WCN18	
			A	A
			A	B
	9379-183-001	Valve, Water Inlet (includes #1 thru #6) .....	2	2
1	9555-056-001	Screen, Inlet .....	2	2
2	9089-017-001	Coil Assy., 120 V .....	2	2
3	9118-049-001	Diaphragm .....	2	2
4	9211-021-002	Guide, Solenoid .....	2	2
5	9015-008-001	Armature .....	2	2
6	9534-298-001	Spring, Armature .....	2	2



### Water Inlet Valve Breakdown



## DRAIN VALVE GROUP

Key	Part Number	Description	MODELS	
			WCN18	
			A	A
			A	B
	9379-177-006	Valve, Drain (includes #2 thru #11) .....	1	1
2	9064-070-001	Body, Valve (w/ball) .....	1	1
3	9914-137-001	Motor & Gear Train .....	1	1
4	9452-538-001	Plate, Motor Mtg .....	1	1
5	8639-994-001	Screw .....	3	3
6	9534-339-001	Spring, Drive .....	1	1
7	9545-054-001	Screw .....	2	2
8	9545-054-002	Screw .....	1	1
9	9532-134-001	Seal, V Packer .....	2	2
10	8641-584-001	Washer .....	1	1
11	9451-196-001	Pin, Main Drive .....	1	1
12	9538-149-001	Motor Plate Sapcers (Required for replacement plate motor MT6) .....	4	4



# OPL MANUAL PARTS LIST

Key	Part Number	Description	Qty.
2	9532-140-010	Primary Seal Vringa (opl epdm)	1
3	9539-471-001	Rotary Switch	1
4	9539-474-001	Rocker Switch Red	1
5	9539-474-002	Rocker Switch Wht.	1
6	9452-595-001	Switch Mounting Plate	1
7	9545-045-001	Screws-8Bx1/4"	6
*	8640-412-005	Nuts Hex-keps 8/32	6
*	9627-674-001	Wiring Harness OPL manual	1
*	8220-001-235	Wire Org./Wht.	2
*	8220-001-377	Wire Wht./Grn	1
8	9307-176-001	Knob	1
9	8502-651-001	Label Nameplate OPL	1
10	8502-615-002	Label Switch Mounting Plate	1
11	9454-668-002	Front Panel w/out coin box	1
*	9345-814-002	Wiring Schematic Single Phase	1
*	9345-815-002	Wiring Diagram Single Phase	1
	9345-816-001	Schematic Three Phase	1
	9345-817-002	Diagram Three Phase	1



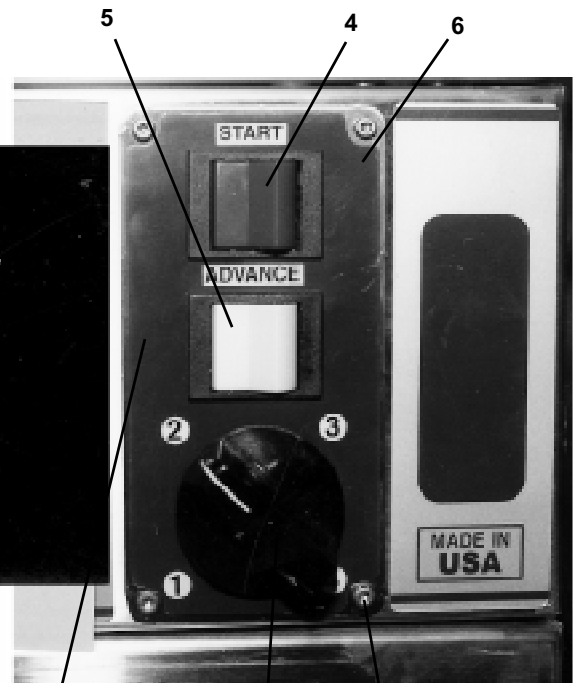
11



2

**INSTRUCTIONS**

- 1 Load clothes and close door securely.
- 2 Select CYCLE-with rotary switch.
- 3 Select WASH TEMP with pushbutton.
- 4 Add detergent and softener.
- 5 Press START button.
- 6 Add bleach when green light is lit.



5

4

6

2

3

1

9

10

8 & 3

7