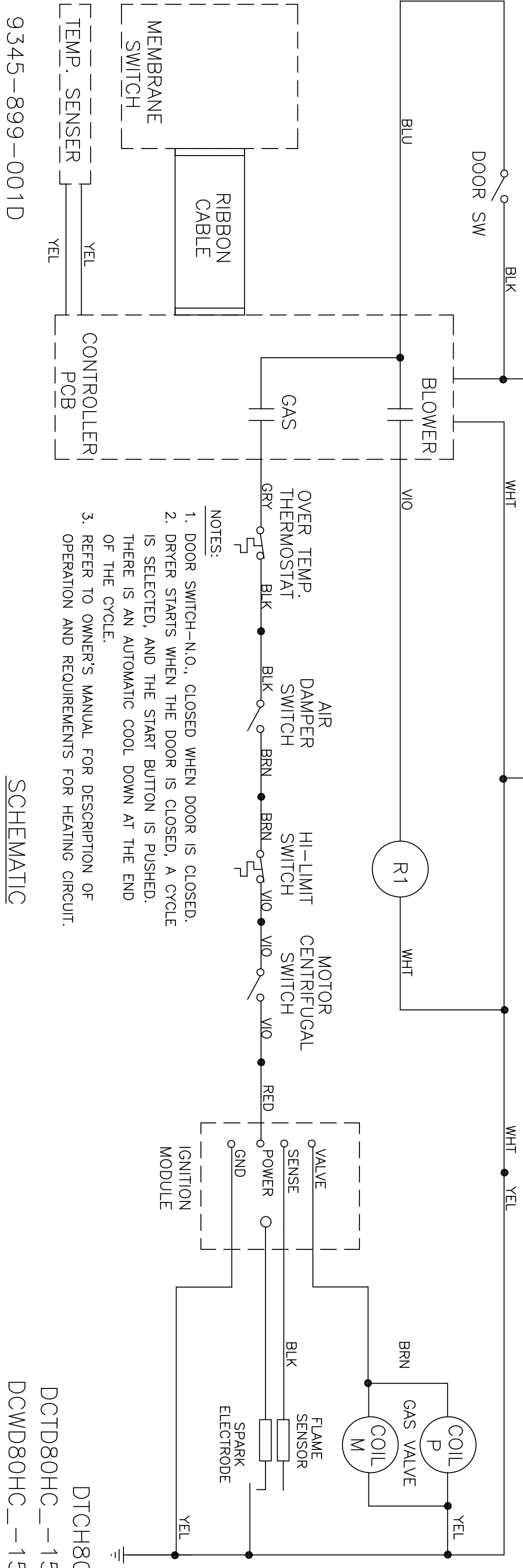
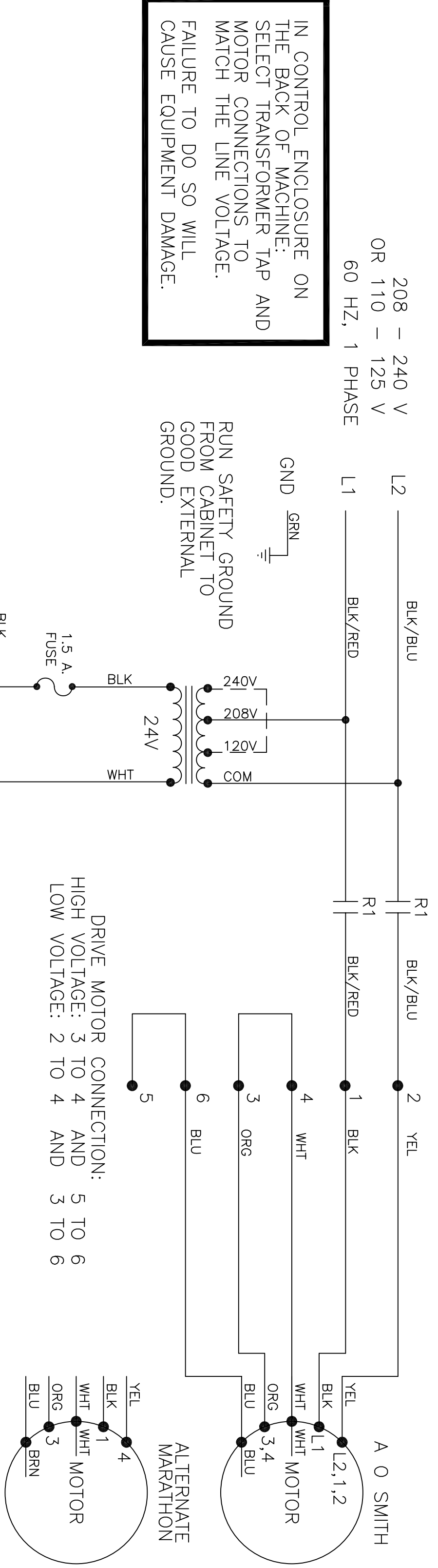


208 - 240 V
OR 110 - 125 V
60 HZ, 1 PHASE

IN CONTROL ENCLOSURE ON THE BACK OF MACHINE: SELECT TRANSFORMER TAP AND MOTOR CONNECTIONS TO MATCH THE LINE VOLTAGE. FAILURE TO DO SO WILL CAUSE EQUIPMENT DAMAGE.

RUN SAFETY GROUND FROM CABINET TO GOOD EXTERNAL GROUND.



- NOTES:
1. DOOR SWITCH-N.O., CLOSED WHEN DOOR IS CLOSED.
 2. DRYER STARTS WHEN THE DOOR IS CLOSED, A CYCLE IS SELECTED, AND THE START BUTTON IS PUSHED. THERE IS AN AUTOMATIC COOL DOWN AT THE END OF THE CYCLE.
 3. REFER TO OWNER'S MANUAL FOR DESCRIPTION OF OPERATION AND REQUIREMENTS FOR HEATING CIRCUIT.