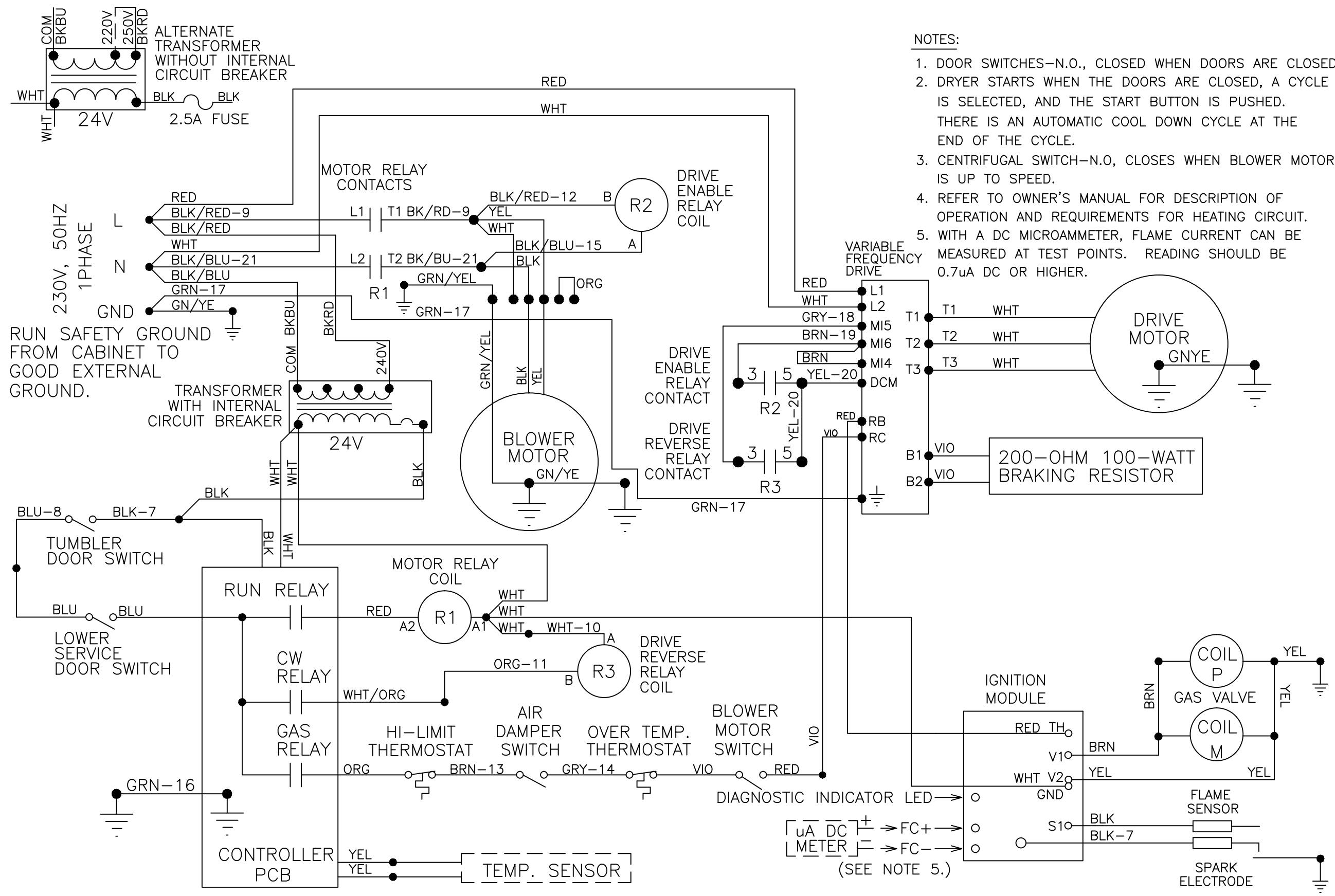


9506-497-001E

WIRING DIAGRAM

DCBD80HC_-39BD

DN0080N_-39_B_R-_____-__X



- NOTES:
1. DOOR SWITCHES—N.O., CLOSED WHEN DOORS ARE CLOSED.
 2. DRYER STARTS WHEN THE DOORS ARE CLOSED, A CYCLE IS SELECTED, AND THE START BUTTON IS PUSHED. THERE IS AN AUTOMATIC COOL DOWN CYCLE AT THE END OF THE CYCLE.
 3. CENTRIFUGAL SWITCH—N.O, CLOSSES WHEN BLOWER MOTOR IS UP TO SPEED.
 4. REFER TO OWNER'S MANUAL FOR DESCRIPTION OF OPERATION AND REQUIREMENTS FOR HEATING CIRCUIT.
 5. WITH A DC MICROAMMETER, FLAME CURRENT CAN BE MEASURED AT TEST POINTS. READING SHOULD BE 0.7uA DC OR HIGHER.

230V, 50HZ 1PHASE
 RUN SAFETY GROUND FROM CABINET TO GOOD EXTERNAL GROUND.

9506-497-001E

SCHEMATIC

DCBD80HC_-39BD
 DN0080N_-39_B_R-_____-__X