

**INDUSTRIAL DRYER  
MODEL T-50/80/T-120/T-170 REVERSING ON-PREMISE  
B-SERIES CONTROL, NATURAL GAS/LP HEATED**



**DEXTER<sup>®</sup>**  
**LAUNDRY**

**OPERATOR'S MANUAL  
INSTALLATION & OPERATION INSTRUCTIONS**

The dryer must not be stored or installed where it will be exposed to water and/or weather.

**⚠ WARNING:**

**FIRE OR EXPLOSION HAZARD**

**Failure to follow safety warnings exactly could result in serious injury, death or property damage.**

- Do not store or use gasoline or other flammable vapors and liquids in the vicinity of this or any other appliance.
- WHAT TO DO IF YOU SMELL GAS
  - Do not try to light any appliance.
  - Do not touch any electrical switch; do not use any phone in your building.
  - Clear the room, building or area of all occupants.
  - Immediately call your gas supplier from a neighbor's phone. Follow the gas supplier's instructions.
  - If you cannot reach your gas supplier, call the fire department.
- Installation and service must be performed by a qualified installer, service agency or the gas supplier.

Post the following "For Your Safety" caution in a prominent location:

**FOR YOUR SAFETY**

Do not store or use gasoline or other flammable vapors or liquids in the vicinity of this or any other appliance.

It is important that you read this Manual and retain it for future reference. For service or replacement parts, contact the distributor in your area or the manufacturer.

**⚠ AVERTISSEMENT: Assurez-vous de bien suivre les instructions données dans cette notice pour réduire au minimum le risque d'incendie ou d'explosion ou pour éviter tout dommage matériel, toute**

- Ne pas entreposer ni utiliser d'essence ni d'autres vapeurs ou liquides inflammables dans le voisinage de cet appareil ou de tout autre appareil.
- QUE FAIRE SI VOUS SENTEZ UNE ODEUR DE GAZ:
  - Ne pas tenter d'allumer d'appareil.
  - Ne touchez à aucun interrupteur. Ne pas vous servir des téléphones se trouvant dans le bâtiment où vous trouvez.
  - Évacuez la pièce, le bâtiment ou la zone.
  - Appelez immédiatement votre fournisseur de gaz depuis un voisin. Suivez les instructions du fournisseur.
  - Si vous ne pouvez rejoindre le fournisseur de gaz, appelez le service des incendies.
- L'installation et l'entretien doivent être assurés par un installateur ou un service d'entretien qualifié ou par le fournisseur de gaz.

**POUR VOTRE SÉCURITÉ**

Ne pas entreposer ni utiliser d'essence ni d'autres vapeurs ou liquides inflammables dans le voisinage de cet appareil ou de tout autre appareil.

You, the purchaser, must post in a prominent location instructions to be followed in the event the user smells gas. Consult your local gas supplier for procedure to be followed if the odor of gas is present.

**Dexter Laundry, Inc.**  
2211 West Grimes Avenue  
Fairfield, Iowa 52556

## **TABLE OF CONTENTS**

	Page No.
Warnings about use and operation	2
Dryer Specifications	3
Dryer Dimensions	4-15
Uncrating	16
Dryer Exhaust	18
Dryer Shutdown	20
Dryer Controller Interface	21
Dryer Controller Factory Default Program Setting	22
Dryer Fault Codes	22
Touch Pad Description	23
Operating Instructions	25
Temporary Dryer Controller Programming	26
Permanent Dryer Controller Programming	29
Servicing and Troubleshooting	32
Preventative Maintenance Instructions	33

## **WARNINGS ABOUT USE AND OPERATION**

It is **ABSOLUTELY ESSENTIAL** that the dryer be grounded to a known earth (zero) ground. This is not only for personal safety, but is necessary for proper operation.

**DO NOT MODIFY THIS APPLIANCE. KEEP SHIELDS, GUARDS, AND COVERS IN PLACE.** These safety devices are provided to protect everyone from injury.

**THIS DRYER IS EQUIPPED WITH AN OVER-TEMPERATURE THERMOSTAT** located to the right of the motor on the rear of the cabinet. If the dryer ceases to operate, refer to your "Service Procedure and Parts Data" book for instructions.

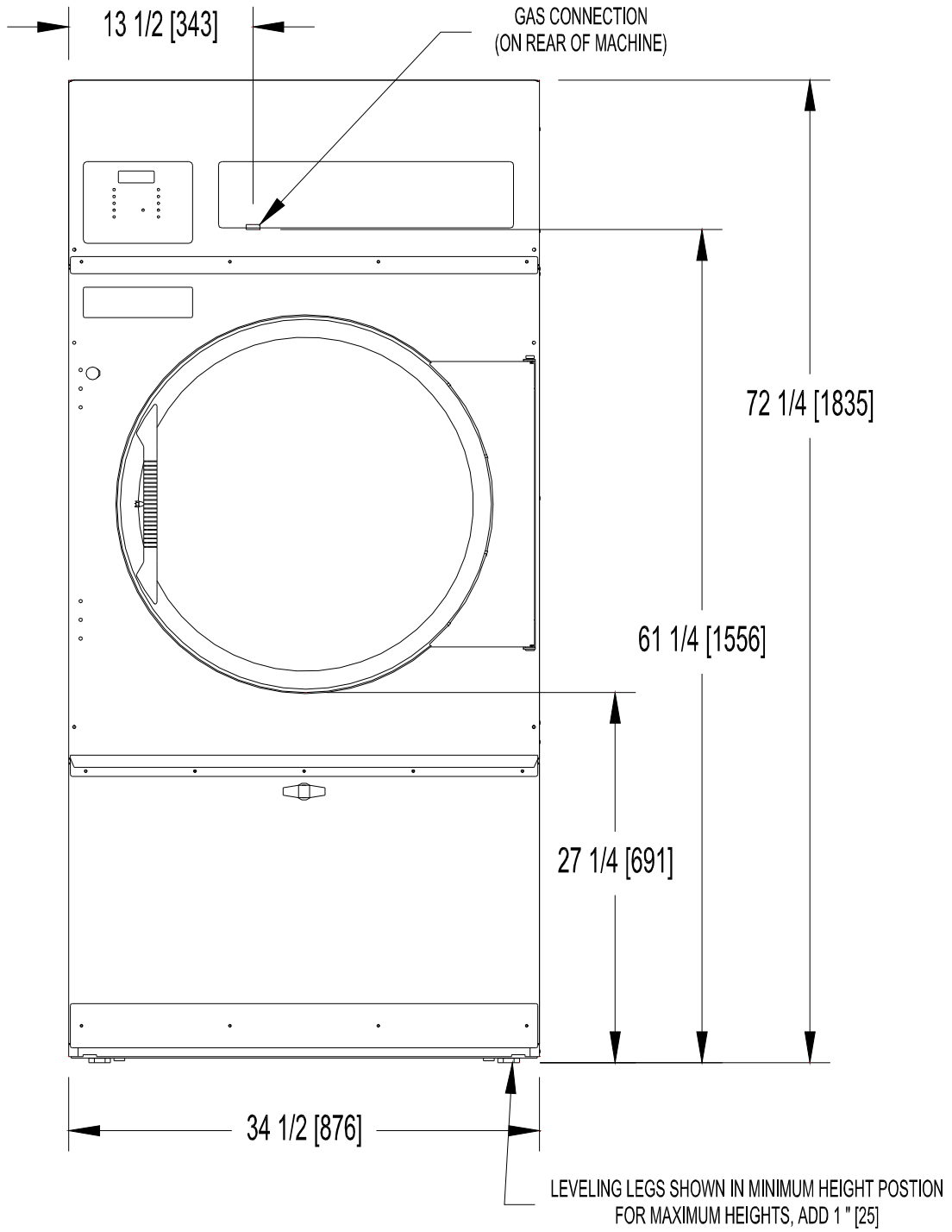
**CHECK THIS THERMOSTAT WHEN INSTALLING THE DRYER** to assure it is not tripped. Impacts such as rough handling in shipment, may trip the thermostat.

**DO NOT SPRAY AEROSOLS IN THE VICINITY OF THIS APPLIANCE** while in operation.

**THIS APPLIANCE SHALL NOT BE USED TO DRY OFF CLOTHES CONTAINING SOLVENTS OR DRY CLEANING FLUIDS.**

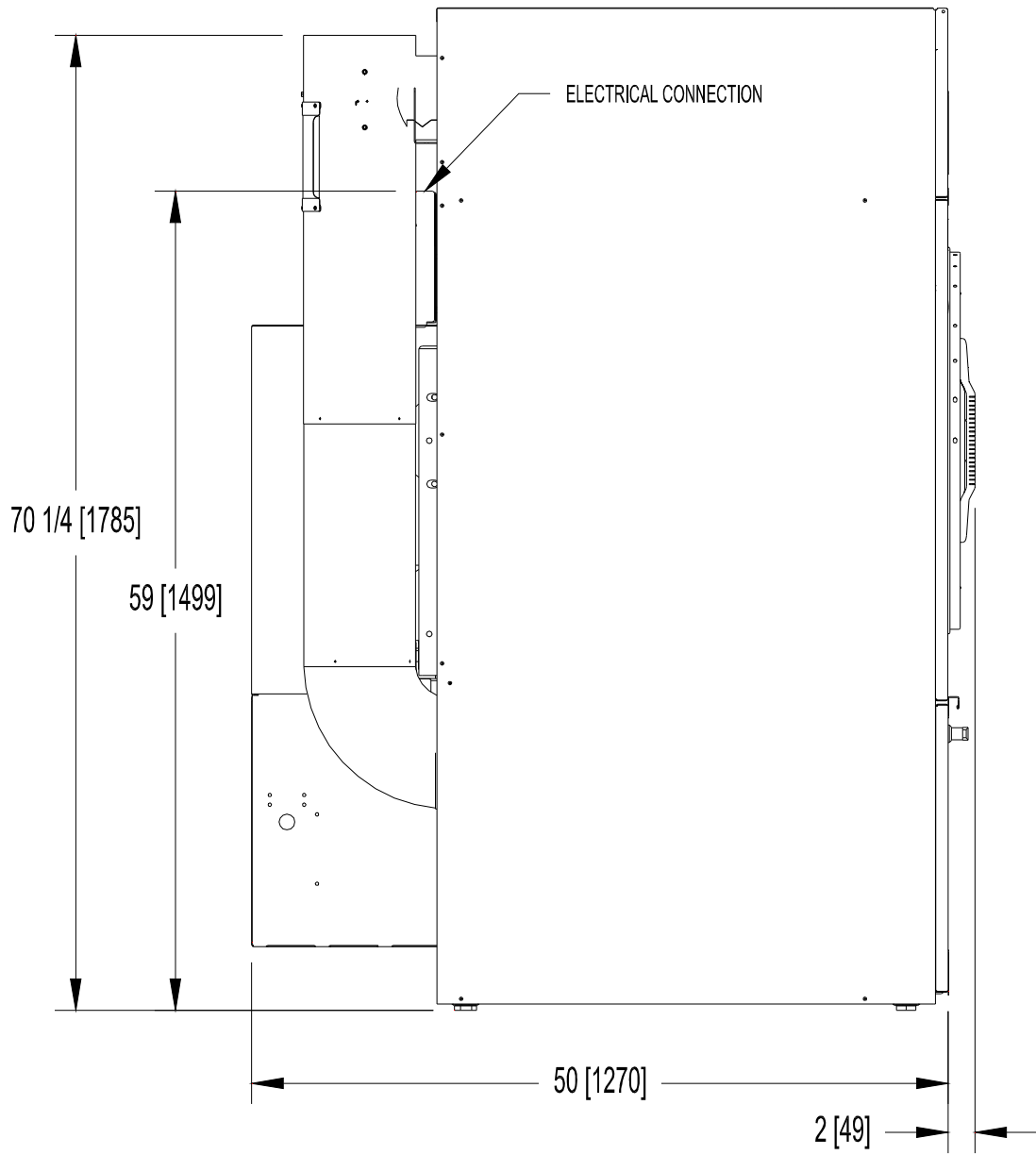
# SPECIFICATIONS

		T-50		T-80		T-120		T-170	
Capacity	Dry Weight Capacity - lb (kg)	50	(22.7)	80	(36.3)	120	(54.4)	170	(77.1)
	Cylinder Volume - cu ft (L)	15.8	(447.4)	23	(651.3)	36.1	(1022.2)	50	(1415.8)
Speed	Tumbler Speed - RPM	45	---	40	---	36.5	---	32.5	---
	Motor Size - 60Hz Reversing - hp (kW)	2 & 0.5	(1.5 & 0.38)	1 & 0.75	(0.75 & 0.56)	1 & 1	(0.75 & 0.75)	2 & 3	(1.5 & 2.2)
	Motor Size - 50Hz Reversing - hp (kW)	---	---	1 & 0.75	(0.75 & 0.56)	1 & 0.75	(0.75 & 0.56)	---	---
Airflow	60Hz Model - 8" Outlet - cfm (M3/min)	910	(25.8)	1200	(34)				---
	60Hz Model - 10" / 12" Outlet - cfm (M3/min)	---	---	---	---	1250 / 1450	(35.4 / 41.4)	---	1900 / (53.8)
	50Hz Model - 8" Outlet - cfm (M3/min)	760	(21.5)	1000	(28.3)				---
	50Hz Model - 10" / 12" Outlet - cfm (M3/min)	---	---	---	---	1000	28.3		---
Dimensions	Cabinet Height - in (cm)	72 1/4	(183.5)	75 3/4	(192.4)	85 5/16	(216.7)	94	(238.8)
	Cabinet Width - in (cm)	34 1/2	(87.6)	38 1/2	(97.8)	46 3/4	(118.7)	53 1/8	(134.9)
	Cabinet Depth - Reversing - in (cm)	50	(127)	51 3/4	(131.4)	60 3/16	(152.9)	63	(160)
	Door Opening - in (cm)	25 5/8	(65.1)	25 5/8	(65.1)	30	(76.2)	30	(76.2)
	Floor to Door Bottom - in (cm)	27 1/4	(69.2)	29 1/4	(74.3)	34	(86.4)	36 3/4	(93.3)
	Cylinder Diameter - in (cm)	32 1/2	(82.6)	36 1/2	(92.7)	43	(109.2)	50 1/4	(127.6)
	Cylinder Depth - in (cm)	33	(83.8)	38	(96.5)	43	(109.2)	43 1/2	(110.5)
	Lint Screen Area - sq in (sq cm)	708	(4568)	823	(5310)	862	(5561)	1021	(6587)
Weight	Net Weight - Reversing - lb (kg)	560	(254)	715	(324.3)	1075	(487.6)	1361	(617.3)
Shipping	Shipping Weight - Reversing - lb (kg)	620	(281.2)	770	(349.3)	1122	(508.9)	1440	(653.2)
	Shipping Height - in (cm)	77 1/4	(196.2)	80 3/4	(205.1)	88 3/8	(224.5)	97 1/8	(246.7)
	Shipping Width - in (cm)	36	(91.4)	40 1/4	(102.2)	48 1/4	(122.6)	54 5/8	(138.7)
	Shipping Depth - Reversing - in (cm)	53 1/2	(135.9)	55 1/2	(141)	68 1/2	(174)	71 3/8	(181.3)
Gas (Gas Models Only)	Gas Supply Connection - in (mm)	1/2	(12.7)	3/4	(19.1)	3/4	(19.1)	1	(25.4)
	Natural Gas Supply (Water Column) - in (cm) [kPa]	5-8	(12.7 - 20.3) [1.25-1.99]	5-8	(12.7 - 20.3) [1.25-1.99]	5-8	(12.7 - 20.3) [1.25-1.99]	5-8	(12.7 - 20.3) [1.25-1.99]
	Natural Gas Burner Manifold Pressure (Water column) 60Hz Model - in (cm) [kPa]	3.5	(8.89) [0.87]	3.5	(8.89) [0.87]	3.5	(8.89) [0.87]	3.5	(8.89) [0.87]
	Natural Gas Burner Manifold Pressure (Water column) 50Hz Model - in (cm) [kPa]	3.5	(8.89) [0.87]	3.5	(8.89) [0.87]	3.5	(8.89) [0.87]		---
	LP Gas Supply (Water Column) - in (cm) [kPa]	11 1/2 - 13 1/2	(29.2 - 34.3) [2.86-3.36]	11 1/2 - 13 1/2	(29.2 - 34.3)	11 1/2 - 13 1/2	(29.2 - 34.3) [2.86-3.36]	11 1/2 - 13 1/2	(29.2 - 34.3) [2.86-3.36]
	LP Gas Burner Manifold Pressure (Water column) 60Hz Model - in (cm) [kPa]	11	(27.9) [2.75]	11	(27.9) [2.75]	11	(27.9) [2.75]	11	(27.9) [2.75]
	LP Gas Burner Manifold Pressure (Water column) 50Hz Model - in (cm) [kPa]	11	(27.9) [2.75]	11	(27.9) [2.75]	10	(25.4) [2.50]		---
	Gas Usage - 60Hz Model - BTU/hr (kW) [MJ/hr]	145,000	(42.5) [153]	215,000	(63) [227]	320,000	(93.8) [338]	400,000	(117.2) [422]
	Gas Usage - 50Hz Model - BTU/hr (kW) [MJ/hr]	120,000	(35.2) [125]	195,000	(57.1) [204]	300,000	(87.9) [317]		---
Electrical	Gas Models								
	Volts / Hz / Phase / Wiring								
	-10 120 / 60 / 1 / 2 wire + ground			15 / 10.4 / #12/REV		25 / 15 / #12/REV			---
	-11 208-240 / 60 / 1 / 2 wire + ground	15 / 5.1 / #12/REV							
-13 208-240 / 60 / 3 / 3 wire + ground	---		---		---		20 / 8.5 / #12 / REV		
-39 230 / 50 / 1 / 2 wire + ground	---		10 / 5.2 / 2.1 mm2/REV		20 / 10 / 3.5 mm2/REV			---	
Installation	Minimum Clearance Between Machines - in (cm)	0	(0)	0	(0)	0	(0)	0	(0)
	Minimum Clearance Behind Machines - in (cm)	18	(45.7)	18	(45.7)	18	(45.7)	18	(45.7)
	Make-Up Air Required - sq ft (sq cm)	1.25	(1161)	1.5	(1394)	2.25	(2090)	3	(2787)
	Exhaust Size - in (cm)	8	(20.3)	8	(20.3)	10 or 12	(25.4 or 30.5)	12	(30.5)
	Max. Exhaust Back Pressure (Water Column) - in (mm)	0.3	(7.6)	0.3	(7.6)	0.3	(7.6)	0.3	(7.6)
	Recommended Exhaust Length - ft (m) & 2 elbows	14	(4.3)	14	(4.3)	14	(4.3)	14	(4.3)

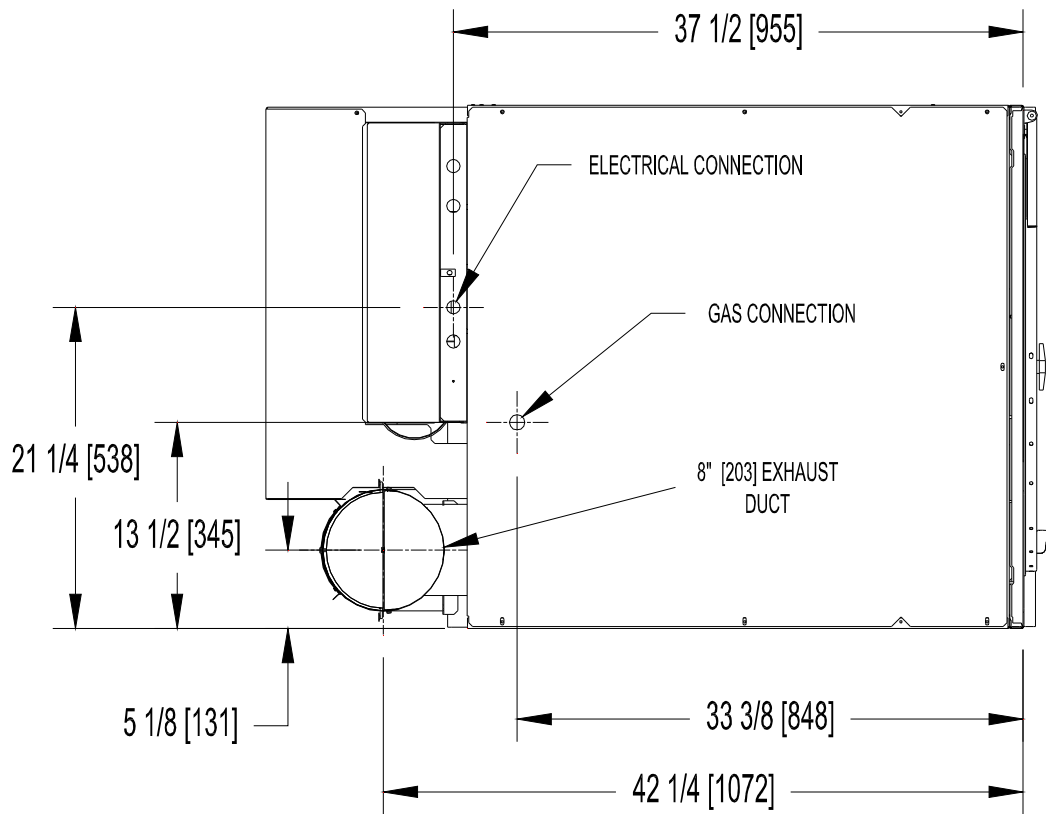


FRONT

**T-50 DRYER DIMENSIONS**

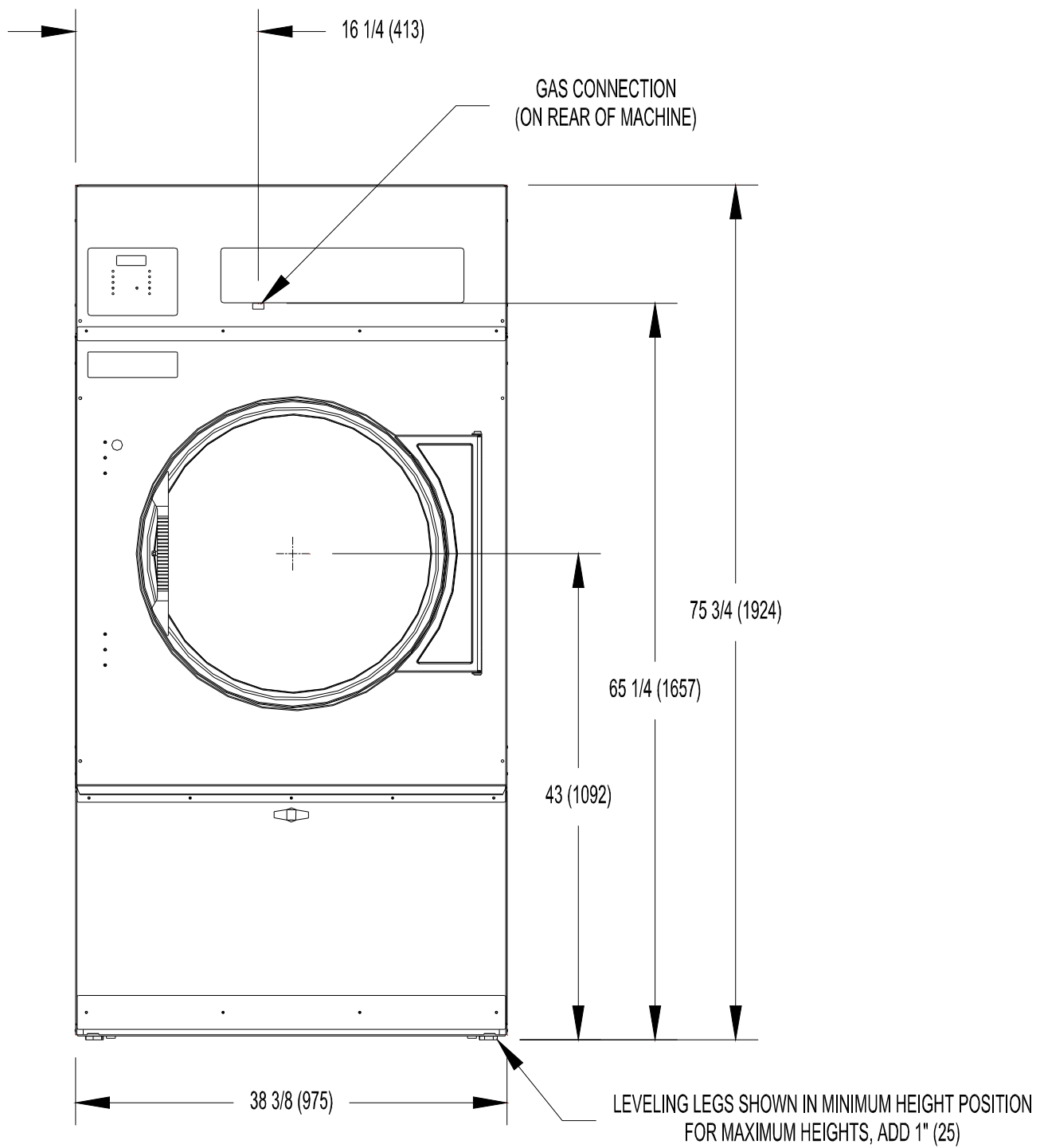


**T-50 DRYER DIMENSIONS**

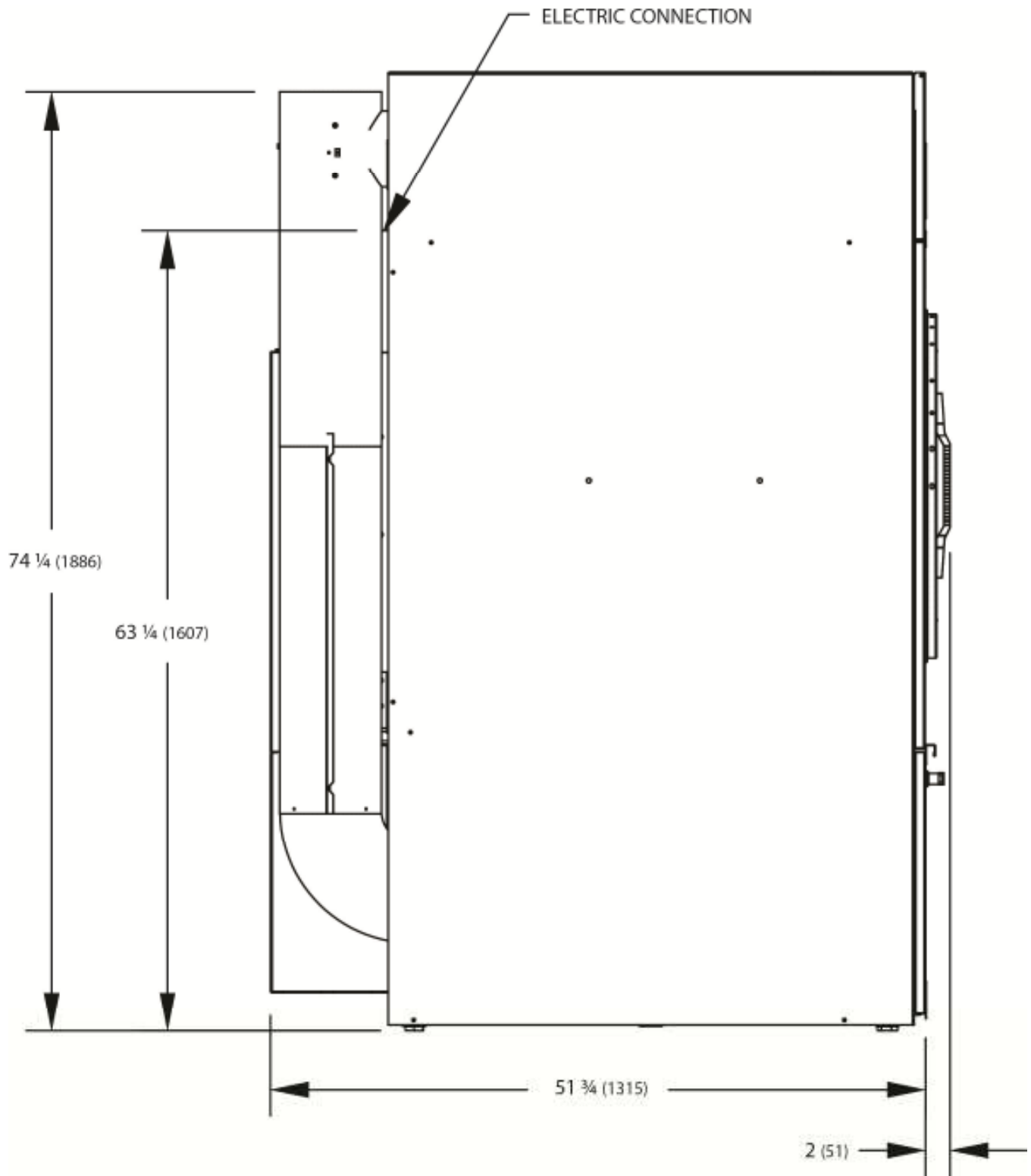


TOP

**T-50 DRYER DIMENSIONS**

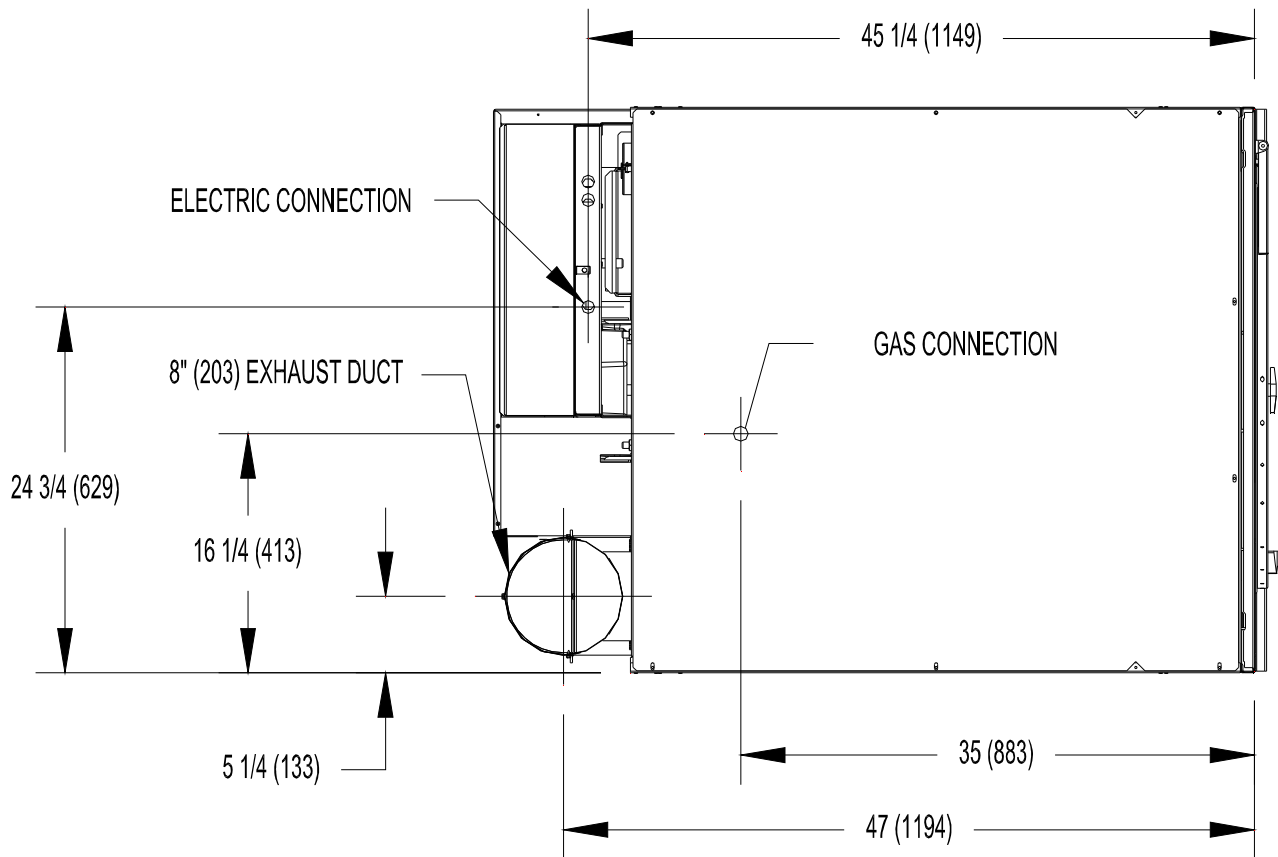


**T-80 DRYER DIMENSIONS**

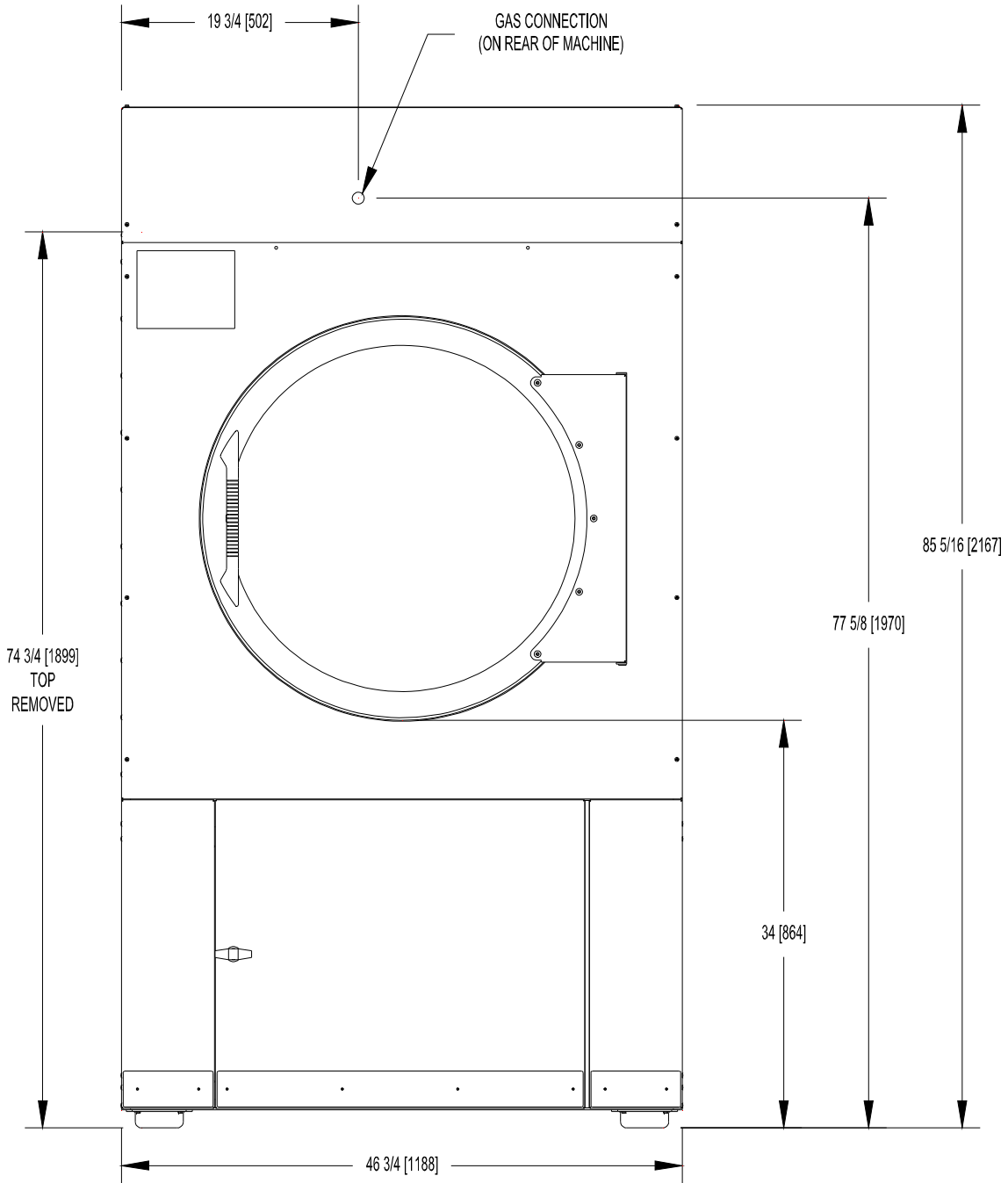


**T-80 DRYER DIMENSIONS**

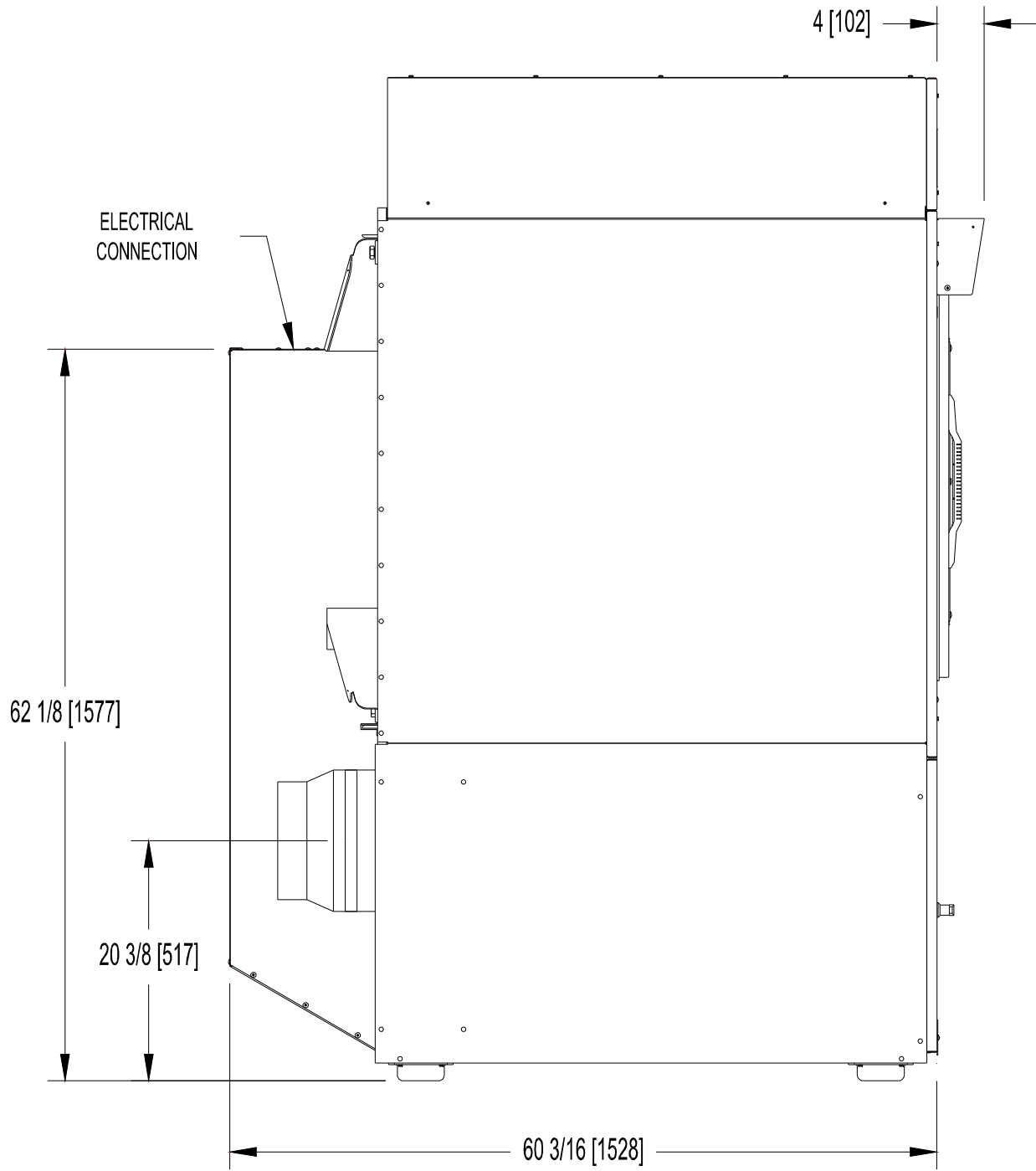




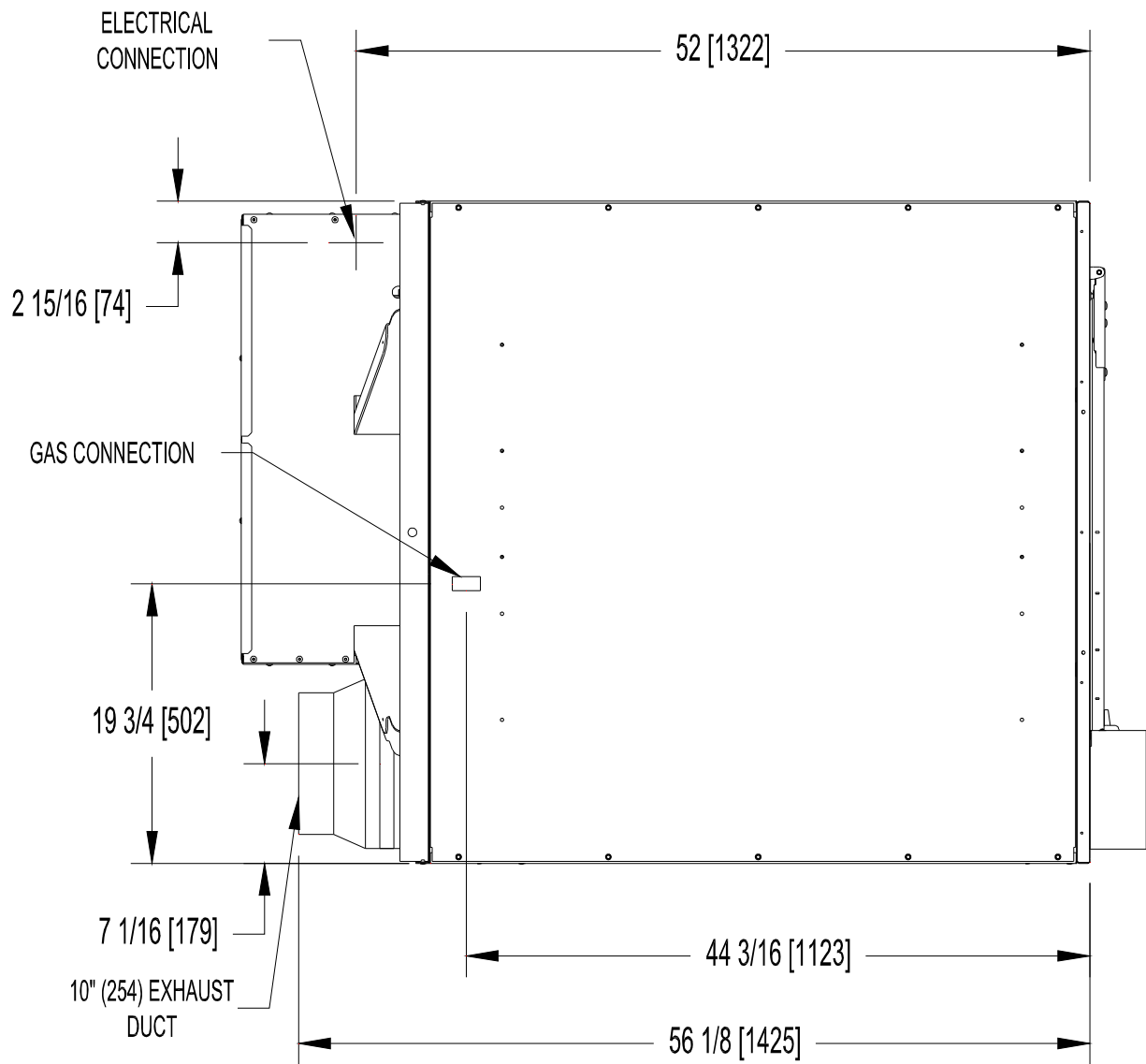
**T-80 DRYER DIMENSIONS**



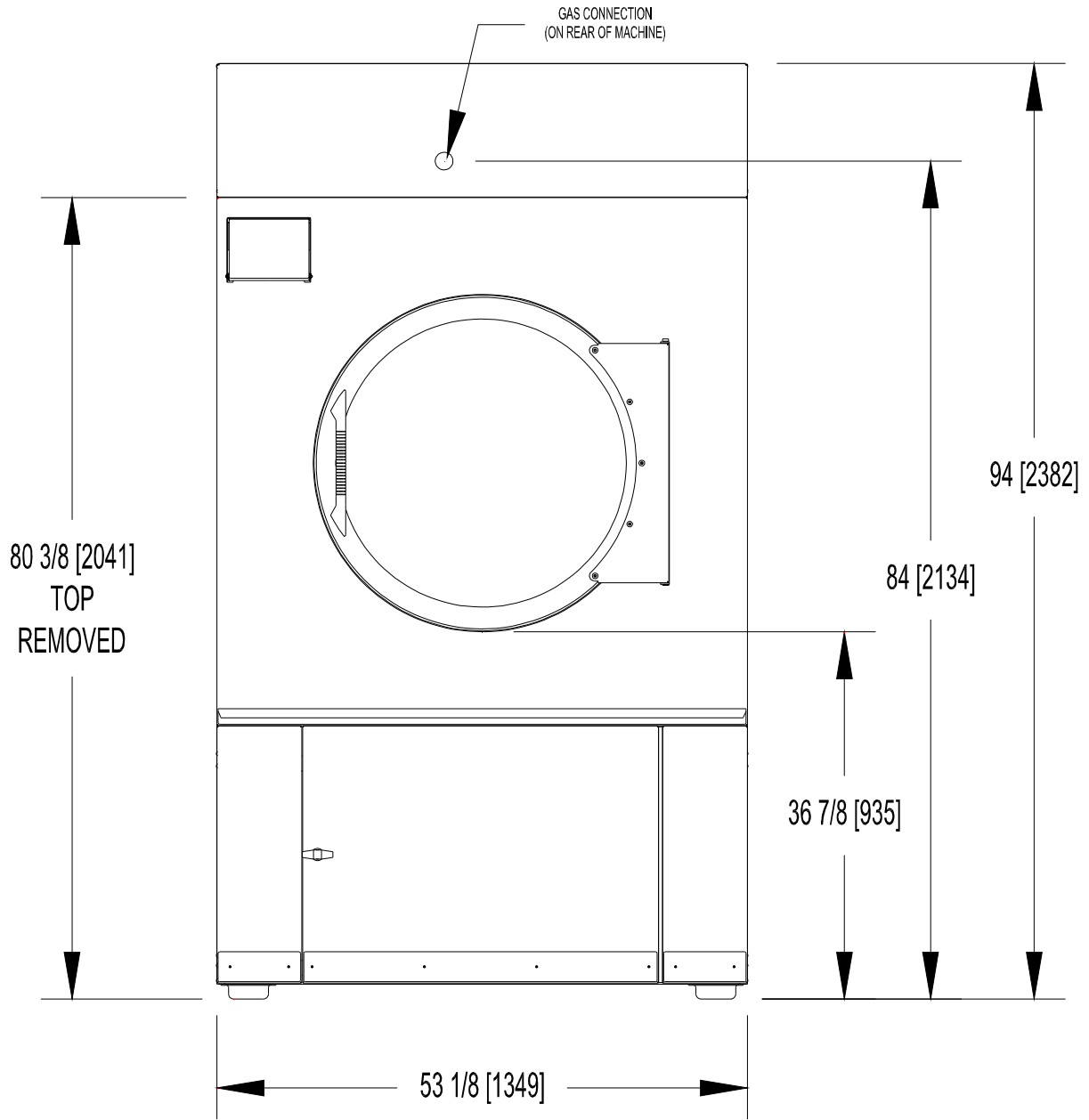
**T-120 DRYER DIMENSIONS**



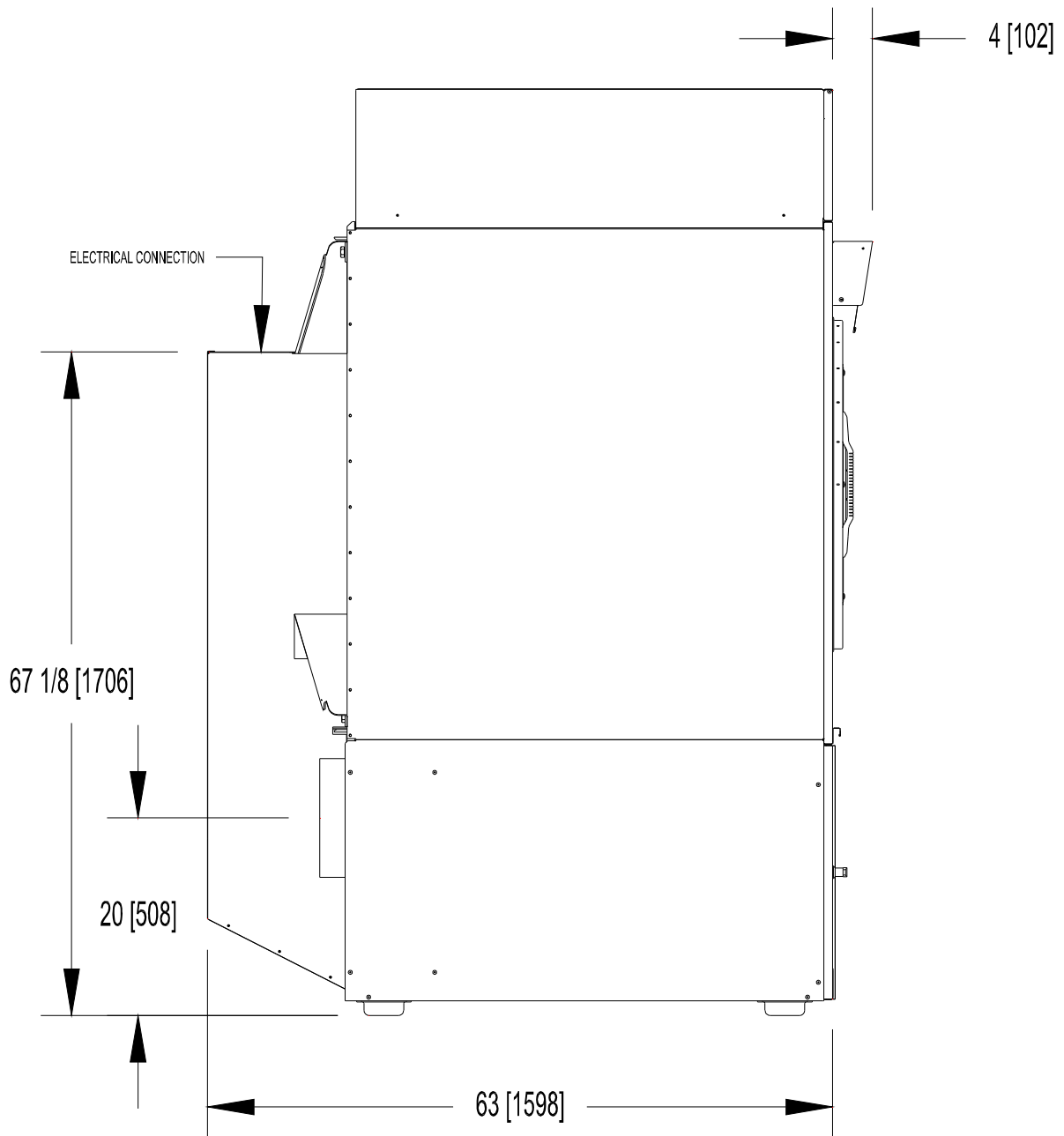
**T-120 DRYER DIMENSIONS**



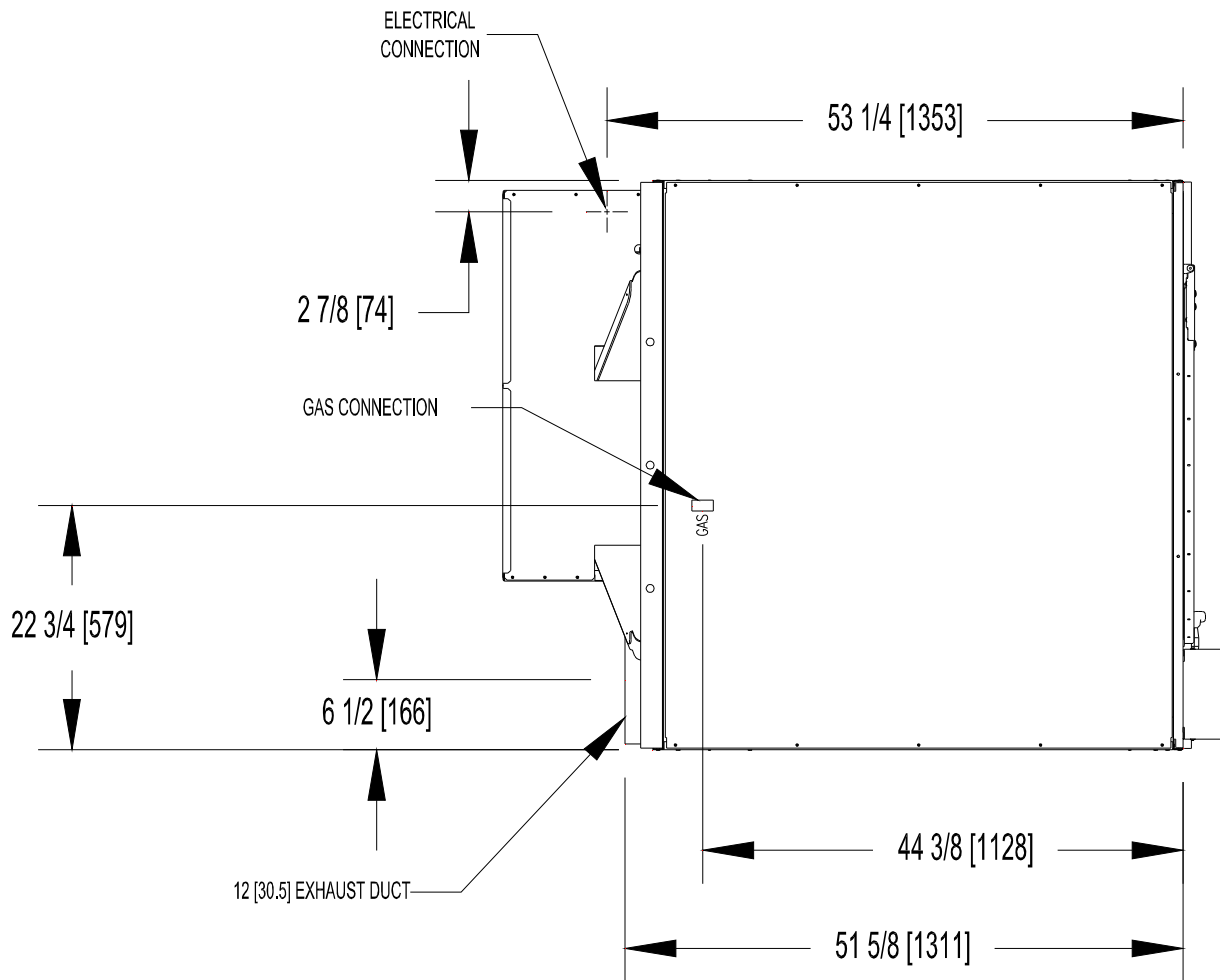
**T-120 DRYER DIMENSIONS**



**T-170 DRYER DIMENSIONS**



**T-170 DRYER DIMENSIONS**



**T-170 DRYER DIMENSIONS**

# INSTALLATION AND OPERATING INSTRUCTIONS

## INDUSTRIAL DRYER

### UNCRATING

Tools required: 3/4" hex socket and ratchet driver, knife, channel-lock wrench that opens to 1 3/8".

1. Remove the plastic wrap with knife. Remove cardboard rails, fillers and top cap.
2. Using a ratchet and a 3/4" socket, remove the (4) bolts attaching the wooden skid to the dryer cabinet. Save the bolts for future moving of the dryer.
3. With a walking motion, move the dryer forward completely off the wooden skid. Save the skid for future moving of the dryer.
4. T-50/80 only: Using the channel-lock wrench, adjust the leveling legs to align the machine with adjacent units.

Note: If the dryer is ever moved again, the dryer should be re-mounted on its pallet and its crating bolts re-inserted and tightened, in the reverse order as above.

### DRYER INSTALLATION

**1. CODE CONFORMITY.** All commercial dryer installations must conform with local codes or, in the absence of local codes, with the latest edition of the National Fuel Gas Code ANSI Z223.1A. Canadian installations must comply with current Standard CAN/CGA-B149 (.1 or .2) Installation Code for Gas Burning Appliances or Equipment, and local codes if applicable. Australian installations must meet installation requirements and pipe sizing requirements of AS/NZA 5601. The appliance, when installed, must be electrically grounded in accordance with the latest edition of the National Electrical Code, ANSI/NFPA70, or, when installed in Canada, with Standard CSA C22.1 Canadian Electrical Code Part 1.

To connect the dryer to the supply piping, use a listed connector in compliance with the Standard for Connectors for Gas Appliances, ANSI Z21.24 • CSA 6.10.

**2. INSTALLATION CLEARANCES.** This unit may be installed at the following alcove clearance. (millimeters)

- |                |  |
|----------------|--|
| I. Left Side   | 0"   |
| II. Right Side | 0" *   |
| III. Back      | 18" (457) (Certified for 1" (25) clearance; however, 18" (457) clearance is necessary behind the belt guard to allow servicing and maintenance.)   |
| IV. Front      | 48" (1220) (to allow use of dryer)   |
| V. Top         | Refer to figure labeled "Vertical Clearance Dimensions".<br>AB. Certification allows 0" clearance for wall framing at the top up to 18" (456 mm) back from the front.<br>C. However, a 1/4" (6 mm) clearance should be allowed so that the upper door can be opened. |
| VI. Floor      | This unit may be installed upon a combustible floor.   |

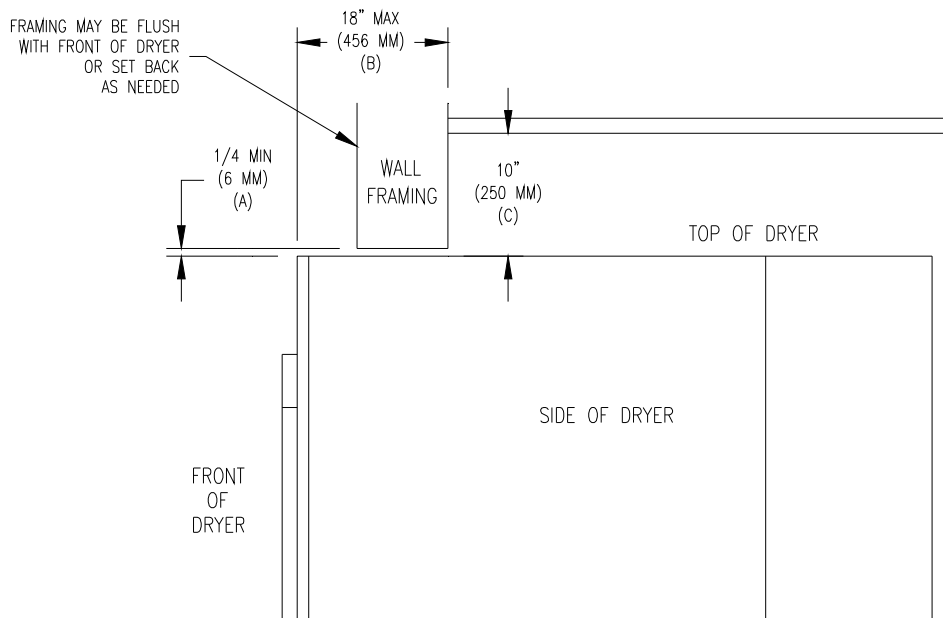
\*Units may be installed in direct contact with an adjacent dryer, providing allowance is made for opening upper and lower service doors.

Do not obstruct the flow of combustion and ventilation air.

Maintain minimum of 1" (25) clearance between duct and combustible material.

Refer to installation label attached to the rear guard of the dryer for other installation information.





Vertical Clearance Dimensions

**3. MAKE-UP AIR.** Adequate make-up air must be supplied to replace air exhausted by dryers on all types of installations. Refer to specifications for the minimum amount of make-up air opening to outside for each dryer. This is a net requirement of effective area. Screens, grills or louvers, which will restrict the flow of air, must be considered. Consult the supplier to determine the free area equivalent for the grill being used. The source of make-up air should be located sufficiently away from the dryers to allow an even airflow to the air intakes of all dryers. Multiple openings should be provided.

The sources of all make-up air and room ventilation air movement to all dryers must be located away from any dry cleaners. This is necessary so that solvent vapors will not be drawn into the dryer inlet ducts. Dry cleaner solvent vapors will decompose in contact with open flame such as the gas flame present in clothes dryers. The decomposition products are highly corrosive and will cause damage to the dryer(s) ducts and clothes loads.

**4. ELECTRICAL REQUIREMENTS.** The electrical power requirements necessary to operate the unit satisfactorily are listed on the serial plate located on the back panel of each dryer and in the specifications section of this manual. The electrical connection should be made to the terminal board, on the rear of the unit. It is absolutely necessary that the dryer be grounded to a known ground. Individual circuit breakers for each dryer are required.

Individual circuit breakers for each unit are recommended. Do not use ground-fault circuit breakers or ground-fault circuit interrupter outlets. The wiring diagram is located on the belt guard on the back of the machine.

### **IMPORTANT: TRANSIENT VOLTAGE SURGE SUPPRESSORS**

Like most electrical equipment, your new machine can be damaged or have its life shortened by voltage surges due to lightning strikes which are not covered by factory warranty. Local power distribution problems also can be detrimental to the life of electrical components. We recommend the installation of transient voltage surge suppressors for your new equipment. These devices may be placed at the power supply panel for the complete installation and don't require an individual device for each machine.

These surge protectors help to protect equipment from large spikes and also from small ongoing spikes in the power that occur on a day to day basis. These smaller surges can shorten overall life of electrical components of all types and cause their failure at a later date. Although they can't protect against all events, these protective devices have a good reputation for significantly lengthening the useful life of electronic components. Electronic components are helped to have a longer useful life when they are supplied with the clean stable electrical power they like.

We are including the following names and phone numbers of a few suppliers of these devices for those who don't currently have a source.

<u>MANUFACTURER</u>	<u>CONTACT</u>	<u>PHONE</u>
Innovative Technology, Inc (Eaton)	Factory	1-800-647-8877 or <a href="http://www.itvss.com">www.itvss.com</a>
EFI Electronics Corporation (Schneider Electric)	Factory Distributor – Surge Pro	1-800-877-1174 or <a href="http://www.efinet.com">www.efinet.com</a> 1-877-233-0153
MCG Surge Protection	Factory	1-800-851-1508 or <a href="http://www.mcgsurge.com">www.mcgsurge.com</a>
Advanced Protection Technologies Inc.	Factory	1-800-237-4567 or <a href="http://www.aptsurge.com">www.aptsurge.com</a>

**5. GAS REQUIREMENTS.** The complete gas requirements necessary to operate the dryer satisfactorily are listed on the serial plate located on the back panel of the dryer.

The inlet gas connection to the unit is 1/2 inch [12.7] for the T-50, 3/4 inch [19.1] for the T-80/T-120 and 1 inch [25.4] for the T-170.

An individual gas shutoff valve is recommended for each dryer and may be required by local code (not supplied).

A joint compound resistant to the action of liquefied petroleum gases should be employed in making pipe connections.

All pipe connections should be checked for leakage with soap solution. Never check with an open flame.

A drip tee should be provided in the gas piping entering the unit to catch dirt and other foreign articles.

A 1/8 inch [3.2] NPT threaded test port, accessible for test gage connection, must be installed immediately upstream of the gas supply connection to the dryer to check the supply pressure. Test and adjust the supply pressure to ensure compliance with the specification listed on the serial plate.

The recommended natural gas supply pressure is 7 inches water column (17.8 cm) at each dryer.

There is a plugged 1/8 inch [3.2] NPT threaded test port in the end of the burner manifold for checking the manifold pressure. With the burner in operation, check and adjust the dryer's gas control valve to ensure compliance with the specification listed on the serial plate for manifold pressure.

After testing, be sure to replace the 1/8 inch [3.2] NPT plugs in the manifold and in the supply line test port using joint compound before operating the dryer.

For altitudes above 2,000 feet (610m) it is necessary to de-rate the BTU input. Contact your local distributor for instructions.

L.P. gas conversion kits are available for this dryer. Contact your local distributor.

**CAUTION:** The dryer must be disconnected from the gas supply piping system during any pressure testing of that system. Do not expose the dryer's gas control valve to testing pressure.

**6. EXHAUST INSTALLATION.** Exhausting of the dryer(s) should be planned and constructed so that no air restrictions occur. Any restriction due to pipe size or type of installation can cause slow drying time, excessive heat, and lint in the room.

From an operational standpoint, incorrect or inadequate exhausting can cause a cycling of the high limit thermostat which shuts off the main burners and results in inefficient drying.

Individual exhausting of the dryers is recommended. All heat, moisture, and lint should be exhausted outside by attaching a pipe of the proper diameter to the dryer adapter collar and extending it out through an outside wall. This pipe must be very smooth on the inside, as rough surfaces tend to collect lint which will eventually clog the duct and prevent the dryer from exhausting properly. All elbows must be smooth on the inside. All joints must be made so the exhaust end of one pipe is inside the next one downstream. The addition of an exhaust pipe tends to reduce the amount of air the blower can exhaust. This does not affect the dryer operation if held within practical limits. For the most efficient operation, it is recommended that no more than 14' (4.3m) of straight (8" [20.3cm] for T-50/T-80, 10 or 12" [25.4 or 30.5cm] for T-120, 12" [30.5cm] for T-170) diameter pipe be used

with two right angle elbows. When more than two elbows are used, 2' (600mm) of straight pipe should be removed for each additional elbow. No more than four right angle elbows should be used to exhaust a dryer.

Maintain minimum 1" (25) clearance between duct and combustible material.

If the exhaust pipe passes through a wall, a metal sleeve of slightly larger diameter should be set in the wall and the exhaust pipe passed through this sleeve. This practice is required by some local codes and is recommended in all cases to protect the wall. This type of installation should have a means provided to prevent rain and high winds from entering the exhaust when the dryer is not in use. A hood with a hinged damper can be used for this purpose. Another method would be to point the outlet end of the pipe downward to prevent entrance of wind and rain. In either case, the outlet should be kept clear, by at least 24" (610), of any objects which would cause an air restriction.

Never install a protective screen over the exhaust outlet.

When exhausting a dryer straight up through a roof, the overall length of the duct has the same limits as exhausting through a wall. A rain cap must be placed on top of the exhaust and must be of such a type as to be free from logging. The type using a cone shaped "roof" over the pipe is suitable for this application.

Exhausting the dryer into a chimney or under a building is not permitted. In either case there is a danger of lint build-up which can be highly combustible.

Installation of several dryers, where a main discharge duct is necessary, will need the following considerations for installation. Individual ducts from the dryers into the main discharge duct should be at a 45 degree angle in the direction of discharge air flow.

**NOTE:** Never install the individual ducts at a right angle into the main discharge duct. The individual ducts from the dryers can enter at the sides or bottom of the main discharge duct. The main duct can be rectangular or round, provided adequate air flow is maintained. For each individual dryer, the total exhausting (main discharge duct plus duct outlet from the dryer) should not exceed the equivalent of 20 feet (6m) and two elbows. The diameter of the main discharge duct at the last dryer must be maintained to exhaust end.

**NOTE:** A small diameter duct will restrict air flow; a large diameter duct will reduce air velocity – both contributing to lint build up. An inspection door should be provided for periodic clean-out of the main duct.

**NOTE:** STATIC BACK PRESSURE should be a maximum of 0.3 at the rear exhaust outlet of the dryer. If multiple dryers are connected to the common duct, ensure the back draft damper is installed properly.

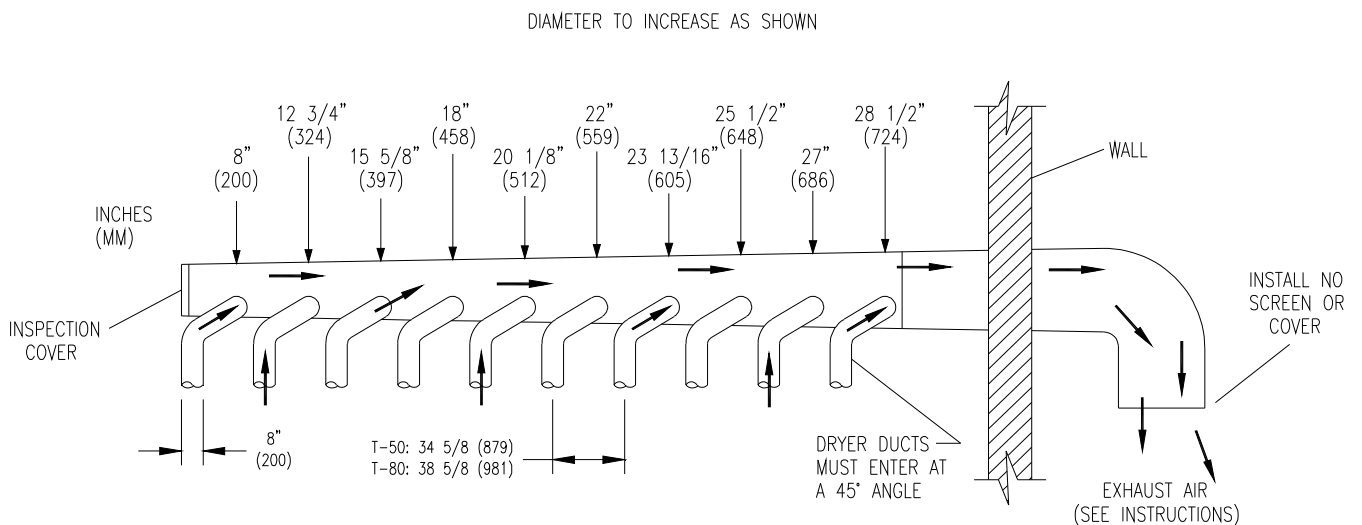


FIGURE 3- Dryer Exhausting Using A Main Discharge Duct

For T-30/50/80: the exhaust duct clean-out panel (as shown below) must be closed while the dryer is in service:



Keep closed while in service




Slide open for routine cleaning

**7. DRYER IGNITION (SOLID STATE IGNITION).** The solid state ignition system lights the main burner gas by spark. The gas is ignited and burns only when the gas-valve relay (in the electronic controller) calls for heat. The procedure for first-time starting of a dryer is as follows:

A. First, review and comply with the "WARNINGS ABOUT USE AND OPERATION" found on the inside front cover of this manual. Be sure the electrical power supply is connected correctly. The white (neutral) wire is to be connected to the N terminal while the black (line) wire to the L1 terminal of the terminal block in the rear control box. The dryer **MUST** be properly grounded.

B. Make sure all gas supply lines are purged of air. Close the main gas shut-off valve and wait for five minutes before turning the valve back on.

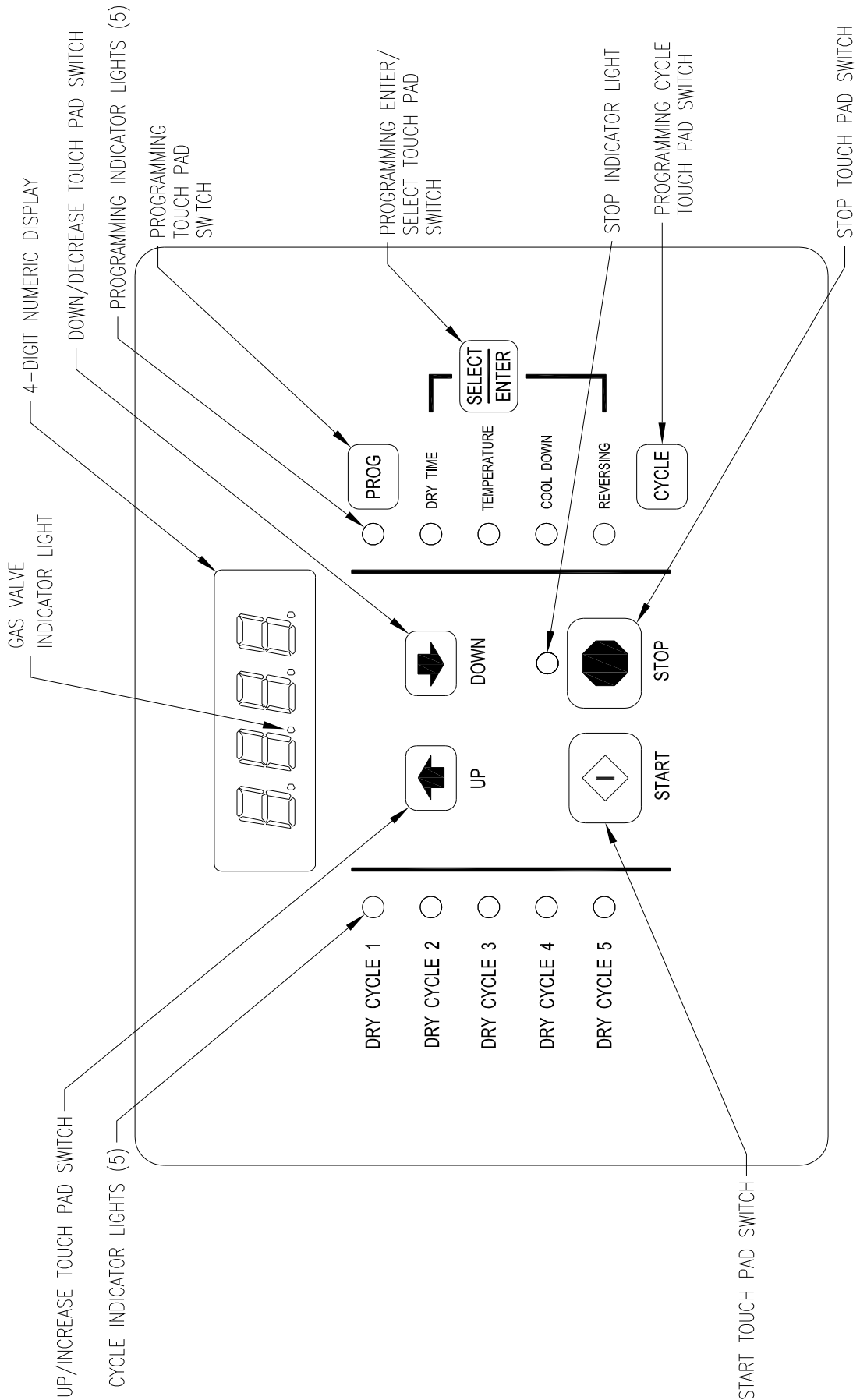
C. Turn on main electrical power switch. The dryer may be started by following the "OPERATING INSTRUCTIONS" found later in this manual.

D. Natural gas and liquefied petroleum gas fired dryers both operate in the same manner. When gas-valve relay contacts are closed (indicating a demand for heat), the solid state ignition control will automatically supply energy to the redundant gas valve. Spark will continue until a flame is detected by the sensing probe, but not longer than 10 seconds. If the gas fails to ignite within 10 seconds, the gas will shut off for 15 seconds. The control will attempt to ignite two more times in a similar manner. If the gas fails to ignite after three tries, the gas valve closes and the system will "lock out". No further attempts at ignition will be performed automatically. It is then necessary to interrupt electrical power to the ignition system before making another attempt to light the burners. This can be done by opening the dryer door, allowing the dryer to come to a stop for 15 seconds, closing the door, and pushing the "Start"  button. The dryer will then repeat the ignition trial cycle.

### **DRYER SHUTDOWN**

To render the dryer inoperative, turn off the main gas shut-off valve and disconnect electrical power to the dryer.

**THE INSTALLER MUST TEST THE DRYER FOR OPERATION AND INSTRUCT THE USER BEFORE LEAVING THE INSTALLATION.**



### Reversing Dryer Controller Interface

## **REVERSING DRYER CONTROLLER FACTORY DEFAULT PROGRAM SETTINGS**

DRY CYCLE	DRYER DIRECTION	COOL DOWN TIME (minutes)	TOTAL CYCLE TIME (minutes)	DRYING TEMPERATURE		DRYER LOAD
				(°F)	(°C)	
1	REV.	5	35	180	82	Towels, pads, heavy cotton
2	REV.	2	20	170	77	Sheets, blended materials
3	REV.	5	25	180	82	Cotton
4	NON-REV.	2	20	130	54	Synthetic Materials
5	NON-REV.	2	25	175	79	Blended Materials

## **REVERSING DRYER FAULT CODES**

FAULT #	FAULT DESCRIPTION	ACTION
F1	Shorted thermostat sensor.	Dryer stops and "F1" flashes on the 4-digit display. When short circuit on sensor input is removed, "LOAD" appears on the 4-digit display and the remaining dry time is reset.
F2	Open thermostat sensor.	Dryer stops and "F2" flashes on the 4-digit display. When a good sensor is connected to sensor input, "LOAD" appears on the 4-digit display and the remaining dry time is reset.
F3	EEPROM corrupted.	Dryer will not start and "F3" appears on the 4-digit display. The power to the dryer must be cycled to reset the controller. Fault should only occur when starting a dry cycle.
F4	Gas valve on fault.	The drying temperature did not increase 1°F. in 5 minutes. "F4" will flash on the display and the dry cycle will finish without calling for heat (energizing gas valve). Opening the door or pressing the STOP touch pad switch will reset the fault and clear the remaining time in the dry cycle.
F5	Temperature fault.	The drying temperature is at least 25°F. above the temperature setting. "F5" will flash on the 4-digit display and the dry cycle will finish without calling for heat (energizing the gas valve). The power to the dryer must be cycled to reset the controller.

# TOUCH PAD DESCRIPTION

## INDICATOR LIGHTS (L.E.D.s)

### Description

**Cycle (1 through 5)** These L.E.D.s are on solid when a particular cycle is chosen for operation or programming.

**Gas Valve** This L.E.D. is part of the 4-digit numeric display and will be on solid during the drying part of a cycle when the gas valve does not need to be on. The L.E.D. will be blinking when the gas valve needs to be on. The L.E.D. will not be on solid or blinking (off) if the cycle is stopped, complete, in cool down, or terminated.

**Programming** These L.E.D.s are on solid as they are selected during the programming of the dryer controller. The reversing L.E.D. will also remain lit during the operation of a reversing dry cycle.

**Stop** This L.E.D. is on solid when either the STOP button is pressed once or the door is opened during an operating cycle.

## SWITCHES (Pushbuttons)

### Description



UP

**UP/INCREASE**

This touch pad switch will increment (increase) dry time, cool down time, and drying temperature. It will also scroll upwards when selecting a dry cycle or toggle between reversing and non-reversing mode during programming.



DOWN

**DOWN/DECREASE**

This touch pad switch will decrement (decrease) dry time, cool down time, and drying temperature. It will also scroll downwards when selecting a dry cycle or toggle between reversing and non-reversing mode during programming.



**PROGRAM**

This touch pad switch allows the dryer controller to enter the permanent programming mode.



**SELECT/ENTER**

This touch pad switch will select one of the three variable parts of the dry cycle (dry time, temperature, or cool down) by sequencing through them. Once one of the variable parts of the dry cycle is chosen and changed, this touch pad switch will enter the new (changed) value into the dry cycle program.



**CYCLE**

This touch pad switch allows the dryer controller to enter the temporary programming mode.



STOP

**STOP**

This touch pad switch will stop the dryer during a dry cycle without clearing the present drying cycle if pressed once. If pressed and released twice, consecutively, the present dry cycle will be cleared.



START

**START**

This touch pad switch will start the operation of a dry cycle if pressed and released once. Pressing and holding this touch pad switch will display the current temperature of the dryer heat sensor as long as it is held in the depressed position.

#### 4-DIGIT NUMERICAL DISPLAY MESSAGES

<u>Message</u>	<u>Description</u>
LOAD	This message is displayed after a dry cycle is complete and the dryer loading door has been opened or the STOP touch pad switch on the dryer controller has been pressed and released twice.
donE	This message blinks immediately after completion of the dry cycle and continues to blink until the STOP touch pad switch on the dryer controller is pressed or the dryer loading door is opened.
Prog	This message is displayed when entering the permanent programming mode.
.15	This message appears while the dryer is in the heating time of a dry cycle. The decimal point will blink if the output for the gas valve is on, or remain on constantly if the output for the gas valve is not on. The number represents the total time left in the dry cycle (includes cool down time).
C02	This message appears when the cool down time of the dry cycle is reached. The letter "C" represents the cool down (non-heating) part of the dry cycle. The number(s) after the letter "C" represent(s) the total time remaining in the dry cycle.
F5	This message appears if there is a dryer fault. The letter "F" indicates a fault and the number after the "F" represents the specific fault that has occurred. There are five different faults that can appear (F1 through F5).
rEv	This message is displayed while in the programming mode, to indicate the reversing function during the dry cycle.
nrEv	This message is displayed, while the programming mode, to indicate the non-reversing function during the dry cycle.



## **OPERATING INSTRUCTIONS**

To dry a load of items, you must choose one of the five-programmed dry cycles. Each of these five dry cycles may be modified in two different ways to match your load. Please, refer to the "Permanent Reversing Dryer Controller Programming" or "Temporary Reversing Dryer Controller Programming" section of this manual.

There are two parts to each dry cycle. The first part is the heating time, which is when the gas valve is cycled on and off according to the temperature setting in the dry cycle program. The second part is the cool down time, which is after the heating part of the dry cycle, and when the cylinder continues to turn, but no heat is applied.

There will always be at least two minutes of cool down time for each dry cycle. The maximum amount of cool down time is 60 minutes if the controller has a red dot sticker or 15 minutes if the controller has no red dot sticker.

During a reversing dry cycle, the tumbler will rotate in one direction for one minute, decelerate for four seconds, and then rotate in the opposite direction for one minute. This motion will repeat for the duration of the dry cycle. If the controller has a red dot sticker, the amount of reversing time can be set to either one or two minutes. To change the reversing time, the 4-digit numerical display must show "LOAd". Then, press and hold the **SELECT/ENTER** touch pad switch and then press the **UP** touch pad switch to set the time to two minutes or the **DOWN** touch pad switch to set the time to one minute. The buzzer will then beep to indicate the change was successful. The change will be retained even if the power is removed. The factory default is one minute.

The five default dry cycle values are shown in the "REVERSING DRYER CONTROLLER FACTORY DEFAULT PROGRAM SETTINGS" table in this manual.

To improve the drying capabilities of this dryer, you should always separate (untangle) the individual articles in your load before using the dryer.

In the following instruction steps, things that are displayed on the 4-digit numerical display will be in "quotation marks" and any touch pad switches on the dryer controller that physically need to be pressed will be in **CAPITAL AND BOLD LETTERS**.

- 1) Place your untangled load into the dryer cylinder and close the dryer loading door. Notice that the dryer controller 4-digit numerical display should show the word "LOAd". If it does not show this word, then press and release the **STOP** touch pad switch on the dryer controller twice.
- 2) Press and release either the **UP** or **DOWN** touch pad switch on the dryer controller to select a dry cycle.
- 3) Once the desired dry cycle is selected, press and release the **START** touch pad switch.

After the dryer controller **START** touch pad switch is pressed, the dryer cylinder will start rotating and the two-digit total dry cycle time, along with a decimal point, will appear on the dryer controller display.

The time shown on the dryer controller display will count down to the programmed cool down time. At that time, the display will change from the decimal point and two-digit number to a letter "C" and two digits.

The letter "C" represents the cool down portion of the dry cycle. The two digits represent the amount of time remaining in the dry cycle. The two-digit time, shown on the dryer controller display, will count down to zero.

When the time decrements to zero, the dryer controller display will flash the work "donE" and the end of cycle tone will sound.

At that point, the wrinkle free cycle will automatically begin. This cycle will wait two minutes, if the door is not opened or the **STOP** touch pad switch on the dryer controller is not pressed, and then rotate the cylinder for 10 seconds and stop. This two-minute of idle time and 10 seconds of tumble time will repeat a total of 10 times, at which time the wrinkle free cycle stops. The cylinder will not rotate again until a new dry cycle is started.

During the wrinkle free cycle, the gas valve will not be operated and there will be no heat applied to the load. The word "donE" will also continue to flash and do so even after the wrinkle free cycle is finished. When the dryer loading door is opened, or the **STOP** touch pad switch is pressed, the word "donE" will change to the word "LOAd" on the dryer controller display. The dryer will then be ready for another dry cycle.

During the dry cycle, either pressing the **STOP** touch pad switch on the dryer controller or opening the dryer loading door will stop the dry cycle and not clear it. If you press the **STOP** touch pad switch on the

controller and then open the dryer loading door, the dry cycle will not be cleared. However, if you open (or open and close) the dryer loading door and then press the **STOP** touch pad switch on the dryer controller, the present dry cycle will be cleared and the word "LOAd" will appear on the dryer controller display.

There are two jumpers and one push button on the component side of the dryer controller printed circuit board.

The jumper located at the lower right side of the circuit board controls whether the controller display shows and operates in the Fahrenheit or Celsius mode. This jumper is labeled as TEMP SELECT and has three pins. The bottom and middle pins are for Celsius and the top and middle pins are for Fahrenheit, which is indicated by the letter C for Celsius and the letter F for Fahrenheit.

The other jumper, located at the upper right side of the component side of the dryer controller circuit board, is used for choosing either a reversing or non-reversing type of dryer. This jumper is labeled as REV and NON-REV. This jumper must be in the reversing position, which are the top and middle pins. If the jumper is in the non-reversing position, the dryer will not reverse direction.

The push button, which is located at the lower middle side of the component side of the dryer controller circuit board, is used to reset all five of the dry cycles to the factory default settings. It is labeled as DEFAULT SETTINGS. Even the dry cycles that have been modified using the permanent programming procedure will be changed back to the factory default settings when using this push button. This push button must be pressed and held for at least three seconds with power applied to the dryer controller circuit board.

## **TEMPORARY REVERSING DRYER CONTROLLER PROGRAMMING**

Temporary programming mode will allow the change of the stored dry cycle settings in the dryer controller for one complete dry cycle. After the dry cycle is complete, the default settings that existed before the temporary change are restored. The temporary dry cycle can be stopped and cleared at any time during the dry cycle operation.

To temporarily change a dryer controller cycle, follow the procedures below. Things that are displayed on the 4-digit numeric display will be in "quotation marks". Touch pad switches on the dryer controller that physically need to be pressed will be in **CAPITAL AND BOLD LETTERS**.

If, at any time, you want to escape the temporary programming mode while changing the program settings, you can press the **STOP** touch pad switch on the dryer controller if the 4-digit numeric display is not flashing. The **SELECT/ENTER** touch pad switch on the dryer controller can be pressed and released to enter the flashing value shown on the 4-digit numeric display and allow you to escape.

If you press and release the **STOP** touch pad switch on the dryer controller, when the 4-digit numeric display is not flashing, the temporary changes to the dry cycle program will be cancelled. The stored dry cycle settings that existed before the temporary change will then be restored.

If, at any time, you want to start the temporary dry cycle during the temporary programming mode, press and release the **START** touch pad switch on the dryer controller if the 4-digit numeric display is not flashing. The **SELECT/ENTER** touch pad switch on the dryer controller can be pressed and released to enter the flashing value shown on the 4-digit numeric display and allow you to start the temporary dry cycle. If you start the temporary dry cycle, the 4-digit numerical display will change the total dry time and count down to 0 as the dry cycle progresses.

## **PROCEDURE**

- 1) Make sure the dryer is not in a dry cycle. The 4-digit numeric display on the dryer controller will show "LOAd" when the dryer is not in a dry cycle.
- 2) Press and release either the **UP** or **DOWN** touch pad switch on the dryer controller to choose the dry cycle that you want to change (dry cycle 1 through 5). The dry cycle L.E.D. will illuminate to indicate which dry cycle you are choosing. If you press and hold down either the **UP** or **DOWN** touch pad switch, the controller will sequence through the five dry cycles.
- 3) Press and release the **CYCLE** touch pad switch on the dryer controller once you have chosen the dry cycle you want to change. After you press the **CYCLE** touch pad switch, the programming L.E.D. and the dry time L.E.D. will illuminate, the dry cycle L.E.D. will remain illuminated, and the total dry time will be displayed on the 4-digit numeric display.

- 4) Press and release either the **UP** or **DOWN** touch pad switch on the dryer controller to change the total cycle time. Once either the **UP** or **Down** touch pad switch is pressed, the dry time L.E.D. and the total dry time on the 4-digit numeric display will flash. If you press and hold down either **UP** or **DOWN** touch pad switch, you will increment (**UP** arrow) or decrement (**DOWN** arrow) through the total dry times available (1 through 60 minutes). This display dry time includes the cool down time along with the heated time. To not change the cool down time, do not press either the **UP** or **DOWN** touch pad switch. Go to the next step.
- 5) Press and release the **SELECT/ENTER** touch pad switch on the dryer controller. Once the **SELECT/ENTER** touch pad switch is pressed and released, the dry time L.E.D. will switch off, the dry cycle L.E.D. and programming L.E.D. will remain on, the temperature L.E.D. will illuminate, and the drying temperature will be shown on the 4-digit numeric display.
- 6) Press and release either the **UP** or **DOWN** touch pad switch on the dryer controller to change the drying temperature. Each press and release of either the **UP** or **DOWN** touch pad switch will either increase or decrease, respectively, the temperature by five degrees Fahrenheit or three degrees Celsius, depending on how your dryer controller is set up. Once either the **UP** or **DOWN** touch pad switch is pressed, the temperature L.E.D. and the drying temperature on the 4-digit numeric display will flash. If you press and hold down either the **UP** or **DOWN** touch pad switch, you will increment (**UP** arrow) or decrement (**DOWN** arrow) your way through the available drying temperatures (105° Fahrenheit or 41° Celsius, up to 195° Fahrenheit or 90° Celsius). If you do not want to change the drying temperature, do not press either the **UP** or **DOWN** touch pad switch. Go to the next step
- 7) Press and release the **SELECT/ENTER** touch pad switch on the dryer controller. Once the **SELECT/ENTER** touch pad switch is pressed and released, the temperature L.E.D. will switch off, the dry cycle L.E.D. and programming L.E.D. will remain on, the cool down L.E.D. will illuminate, and the cool down time will be shown on the 4-digit numeric display.
- 8) Press and release either the **UP** or **DOWN** touch pad switch on the dryer controller to change the cool down time. Once either the **UP** or **DOWN** touch pad switch is pressed, the cool down time L.E.D. and the cool down time on the 4-digit numeric display will flash. If you press and hold down either the **UP** or **DOWN** touch pad switch, you will increment (**UP** arrow) or decrement (**DOWN** arrow) through the cool down times available (2 through 60 minutes if the controller has a red dot sticker or 2 through 15 minutes if the controller has no red dot sticker). To not change the cool down time, do not press either the **UP** or **DOWN** touch pad switch. Go to the next step.
- 9) Press and release the **SELECT/ENTER** touch pad switch on the dryer controller. Once the **SELECT/ENTER** touch pad switch is pressed and released, the cool down L.E.D. will switch off, the dry cycle L.E.D. and the programming L.E.D. will remain on, the reversing L.E.D. will illuminate, and either "rEv" (reversing mode) or "nrEv" (non-reversing mode) will be shown on the 4-digit numeric display.
- 10) Press and release either the **UP** or **DOWN** touch pad switch to change between reversing and non-reversing operation. Once either the **UP** or **DOWN** touch pad switch is pressed, the reversing L.E.D. and the "rEv" (reversing mode) or the "nrEv" (non-reversing mode) shown on the 4-digit numeric display will flash. To not change the reversing or non-reversing mode of operation, do not press either the **UP** or **DOWN** touch pad switch. Go to the next step.
- 11) Press and release the **SELECT/ENTER** touch pad switch on the dryer controller. Once the **SELECT/ENTER** touch pad switch is pressed and released, the programming L.E.D. will switch off, the reversing L.E.D. and the dry cycle L.E.D. will remain on, and the flashing reversing (rEv) or the non-reversing (nrEv) on the 4-digit numeric display will stop flashing and remain.
- 12) At this point, you have two choices:
  - a) You can perform the modified dry cycle by pressing and releasing the **START** touch pad switch on the dryer controller touch pad. If you start the modified cycle, the total dry time will appear on the 4-digit numeric display and it will count down to 0 as the dry cycle progresses.
  - b) You can clear the modified dry cycle program by pressing and releasing the **STOP** touch pad switch. If you choose to clear the modified dry cycle, the 4-digit numeric display will change to "LOAD".

# **TEMPORARY REVERSING DRYER CONTROLLER PROGRAMMING**

## **EXAMPLE**

REQUIREMENTS: Dry a load, in reverse mode, with 40 minutes of actual heat at 185°F and two minutes of cool down.

The following procedure will show you how to temporarily modify the existing dry cycle 5 program for one cycle of drying. It is based on the assumption that the factory defaults have not been permanently changed. If they have been changed, the steps of this procedure will be the same, but the values that are displayed will be different. The amount of times that the **UP** or **DOWN** touch pad switches of the dryer controller must be pressed and released may also be different.

If you want the change to be permanent, go to the "PERMANENT REVERSING DRYER CONTROLLER PROGRAMMING" section of this manual.

### **PROCEDURE:**

- 1) After the load has been placed in the dryer, press and release either the **UP** or **DOWN** touch pad switch on the dryer controller until the L.E.D. for dry cycle 5 is illuminated.
- 2) Press and release the **CYCLE** touch pad switch on the dryer controller. You will see the number "25" on the dryer controller display. The programming L.E.D. and dry time L.E.D. will be illuminated.
- 3) Press and release the **UP** touch pad switch on the dryer controller 17 times so that the display will show a flashing "42". When the **UP** touch pad switch is pressed the first time, the number "26" will be flashing on the dryer controller display. Each number after that will also flash.
- 4) Now, press and release the **SELECT/ENTER** touch pad switch on the dryer controller. The number "42" will stop flashing, the dry time L.E.D. will switch off, the dryer controller display will now show "175", the temperature L.E.D. will illuminate, and the programming L.E.D. and dry cycle 5 L.E.D. will remain on.
- 5) Press and release the **UP** touch pad switch on the dryer controller two times so the controller display will show a flashing "185". Each press of the **UP** touch pad switch will increment the temperature by five degrees.
- 6) Now, press and release the **SELECT/ENTER** touch pad switch on the dryer controller. The number "185" will stop flashing, the temperature L.E.D. will switch off, the dryer control display will now show a number "2", the cool down L.E.D. will illuminate, and the programming L.E.D. and dry cycle 5 L.E.D. will remain on.
- 7) Press and release the **SELECT/ENTER** touch pad switch on the dryer controller, since the desired cool down time is two minutes. After you press the **SELECT/ENTER** touch pad switch, the cool down L.E.D. will switch off, the dryer controller display will show "rEv", the reversing L.E.D. will illuminate, and the programming L.E.D. and the cycle 5 L.E.D. will remain on.
- 8) Press and release either the **UP** or **DOWN** touch pad switch on the dryer controller once. A flashing "rEv" will appear on the dryer controller display and the reversing L.E.D. will start to flash. Each press and release of either the **UP** or **DOWN** touch pad switch will toggle between the reversing mode ("rEv") and the non-reversing mode ("nrEv").
- 9) Press and release the **SELECT/ENTER** touch pad switch on the dryer controller. Once the **SELECT/ENTER** touch pad switch is pressed and released, the programming L.E.D. and the reversing L.E.D. will switch off, the dry cycle 5 L.E.D. will remain on, and the flashing "rEv" will stop flashing and remain on.

You are now ready to start the new dry cycle. This new dry cycle will be in effect for one dry cycle only. After the dry cycle is done, or if the **STOP** touch pad switch on the dryer controller is pressed and released twice, consecutively, the cycle 5 program will revert to the factory default settings.

If you press the **START** touch pad switch on the dryer controller, the controller display will change from the "rEv" to the number "42" and dry cycle 5 will begin.

# **PERMANENT REVERSING DRYER CONTROLLER PROGRAMMING**

The permanent programming mode will allow the change of the stored dry cycle settings in the dryer controller until the operator physically changes them again. The factory default settings can be restored in the dryer controller by pressing the default settings push-button on the back (component) side of the dryer controller circuit board. It is labeled and located at the lower middle side of the printed circuit board, as you face the component side of the board. It must be pressed and held down for at least three seconds.

To permanently change a dryer controller cycle, follow the procedure below. Things that are displayed on the 4-digit numeric display will be in "quotation marks". Touch pad switches on the dryer controller that physically need to be pressed will be in **CAPITAL AND BOLD LETTERS**.

If, at any time, you want to escape the permanent programming mode while changing the settings, you can press the **STOP** touch pad switch on the dryer controller if the 4-digit numeric display is not flashing. The **SELECT/ENTER** touch pad switch on the dryer controller can be pressed and released to enter the flashing value shown on the 4-digit numeric display and allow you to escape.

## **PROCEDURE**

- 1) Make sure the dryer is not in a dry cycle. The 4-digit numeric display on the dryer controller will show "LOAD" when the dryer is not in a dry cycle.
- 2) Press and release the **PROG** touch pad switch on the dryer controller.
- 3) Press and release the **UP** touch pad switch on the dryer controller. The programming L.E.D. will illuminate and the 4-digit numeric display on the dryer controller will change to "Prog".
- 4) Press and release either the **UP** or **DOWN** touch pad switch to choose the dry cycle you want to change (dry cycle 1 through 5). The dry cycle L.E.D. will illuminate to indicate which dry cycle you are choosing. If you press and hold down either the **UP** or **DOWN** touch pad switch, the controller will sequence through the five dry cycles.
- 5) Press and release the **SELECT/ENTER** touch pad switch once you have chosen the dry cycle you want to change. After you press the **SELECT/ENTER** touch pad switch, the dry time L.E.D. will illuminate, the dry cycle L.E.D. and the programming L.E.D. will remain illuminated, and the total dry time will be displayed on the 4-digit numeric display.
- 6) Press and release either the **UP** or **DOWN** touch pad switch on the dryer controller to change the total dry time. Once either **UP** or **DOWN** touch pad switch is pressed, the dry time L.E.D. and the total dry time on the 4-digit numeric display will flash. If you press and hold down either the **UP** or **DOWN** touch pad switch, you will increment (**UP** arrow) or decrement (**DOWN** arrow) through the total dry times available (1 through 60 minutes). The dry time on the controller display includes the cool down time along with the heated time. To not change the total dry time, do not press either the **UP** or **DOWN** touch pad switch. Go to the next step.
- 7) Press and release the **SELECT/ENTER** touch pad switch of the dryer controller. Once the **SELECT/ENTER** touch pad switch is pressed and released, the dry time L.E.D. will switch off, the dry cycle L.E.D. and programming L.E.D. will remain on, the temperature L.E.D. will illuminate, and the drying temperature will be shown on the 4-digit numeric display.
- 8) Press and release either the **UP** or **DOWN** touch pad switch of the dryer controller to change the drying temperature. Each press and release of either the **UP** or **DOWN** touch pad switch will either increase or decrease, respectively, the temperature by five degrees Fahrenheit or three degrees Celsius, depending on how your dryer controller is set up. Once either the **UP** or **DOWN** touch pad switch is pressed, the temperature L.E.D. and the drying temperature on the 4-digit numeric display will flash. If you press and hold down either the **UP** or **DOWN** touch pad switch, you will increment (**UP** arrow) or decrement (**DOWN** arrow) your way through the available drying temperatures (105° Fahrenheit or 41° Celsius, up to 195° Fahrenheit or 90° Celsius). If you do not want to change the drying temperature, do not press either the **UP** or **DOWN** touch pad switch. Go to the next step.
- 9) Press and release the **SELECT/ENTER** touch pad switch on the dryer controller. Once the **SELECT/ENTER** touch pad switch is pressed and released, the temperature L.E.D. will switch off, the dry

cycle L.E.D. and programming L.E.D. will remain on, the cool down L.E.D. will illuminate, and the cool down time will be shown on the 4-digit numeric display.

- 10) Press and release either the **UP** or **DOWN** touch pad switch on the dryer controller to change the cool down time. Once either the **UP** or **DOWN** touch pad switch is pressed, the cool down L.E.D. and the cool down time on the 4-digit numeric display will flash. If you press and hold down either the **UP** or **DOWN** touch pad switch, you will increment (**UP** arrow) or decrement (**DOWN** arrow) through the cool down times available (2 through 60 minutes if the controller has a red dot sticker or 2 through 15 minutes if the controller has no red dot sticker). To not change the cool down time, do not press either the **UP** or **DOWN** touch pad switch. Go to the next step.
- 11) Press and release the **SELECT/ENTER** touch pad switch on the dryer controller. Once the **SELECT/ENTER** touch pad switch is pressed and released, the cool down L.E.D. will switch off, the dry cycle L.E.D. and programming L.E.D. will remain on, the reversing L.E.D. will illuminate, and either "rEv" (reversing mode) or "nrEv" (non-reversing mode) will be shown on the 4-digit numeric display.
- 12) Press and release either the **UP** or **DOWN** touch pad switch on the dryer controller to change between reversing and non-reversing operation. Once either of the **UP** or **DOWN** touch pad switch is pressed, the reversing L.E.D. and the "rEv" (reversing mode) or the "nrEv" (non-reversing mode) shown on the 4-digit numeric display will flash. To not change the reversing or non-reversing mode of operation, do not press either the **UP** or **DOWN** touch pad switch. Go to the next step.
- 13) Press and release the **SELECT/ENTER** touch pad switch on the dryer controller. Once the **SELECT/ENTER** touch pad switch is pressed and released, the reversing L.E.D. will switch off, the dry cycle L.E.D. and the programming L.E.D. will remain on, and the 4-digit numeric display will change to "Prog".
- 14) Press and release the **STOP** touch pad switch on the dryer controller to save the cycle program and escape the programming mode. If you want to change the same dry cycle program again, press the **SELECT/ENTER** touch pad switch and continue at step 6 of this procedure. If you want to modify another dry cycle program, go to step 4 of this procedure and continue.
- 15) If you pressed the **STOP** touch pad switch to escape the programming mode, you may now start the dry cycle by pressing the **START** touch pad switch.

## **PERMANENT REVERSING DRYER CONTROLLER PROGRAMMING** **EXAMPLE**

REQUIREMENTS: Dry a load, in reverse mode, with 50 minutes of actual heat at 195°F and three minutes of cool down.

The following procedure will show you how to permanently modify the existing dry cycle 5 program for one cycle of drying. It is based on the assumption that the factory defaults have not been permanently change. If they have been changed, the steps of this procedure will be the same, but the values that are displayed will be different. The amount of times that either the **UP** or **DOWN** touch pad switch of the dryer controller must be pressed and released may also be different.

If you want the change to be temporary (for only one dry cycle), go to the "TEMPORARY REVERSING DRYER CONTROLLER PROGRAMMING" section of this manual.

### **PROCEDURE:**

- 1) After the load has been placed in the dryer, press and release the **UP** or **DOWN** touch pad switch on the dryer controller until the L.E.D. for dry cycle 5 is illuminated.
- 2) Press and release the **PROG** touch pad switch on the dryer controller. The display of the dryer controller will not change.
- 3) Immediately, press and release the **UP** touch pad switch on the dryer controller. The controller display will change from "LOAd" to "Prog". You have now entered the permanent programming mode. The dry time L.E.D. will remain on and the programming L.E.D. will illuminate.
- 4) Press and release the **SELECT/ENTER** touch pad switch once. The dry cycle 5 L.E.D. and the programming L.E.D. will remain on, the dry time L.E.D. will illuminate, and the dryer controller will show the number "25".

- 5) Press the **UP** touch pad switch 28 times until the display of the dryer controller shows the number "53".
- 6) Press and release the **SELECT/ENTER** touch pad switch of the dryer controller once. The dry cycle 5 L.E.D. and the programming L.E.D. will remain on, the dry time L.E.D. will switch off, the temperature L.E.D. will illuminate, and the dryer controller display will show the number "175".
- 7) Press and release the **UP** touch pad switch four times until the dryer controller display shows the number "195".
- 8) Press and release the **SELECT/ENTER** touch pad switch of the dryer controller. The dry cycle 5 L.E.D. and the programming L.E.D. will remain on, the temperature L.E.D. will switch off, the cool down L.E.D. will illuminate, and the dryer controller display will show the number "5".
- 9) Press and release the **UP** touch pad switch once until the dryer controller display shows the number "3".
- 10) Press and release the **SELECT/ENTER** touch pad switch of the dryer controller. The dry cycle 5 L.E.D. and the programming L.E.D. will remain on, the cool down L.E.D. will switch off, the reversing L.E.D. will illuminate, and the dryer controller display will show "nrEv".
- 11) Press and release either the **UP** or **DOWN** touch pad switch on the dryer controller once. A flashing "rEv" will appear on the dryer controller display and the reversing L.E.D. will start to flash. Each press and release of either the **UP** or **DOWN** touch pad switch will toggle between the reversing mode ("rEv") and the non-reversing mode ("nrEv").
- 12) Press and release the **SELECT/ENTER** touch pad switch of the dryer controller. Once the **SELECT/ENTER** touch pad switch is pressed and released, the reversing L.E.D. will switch off, the programming L.E.D. and the dry cycle 5 L.E.D. will remain on, and the flashing "rEv" will be replaced by the word "Prog".
- 13) Press and release the **STOP** touch pad switch of the dryer controller. The dry cycle 5 L.E.D. will remain on, the programming L.E.D. will switch off, and the dryer controller display will change to the word "LOAD".

The dryer is now ready for the new modified dry cycle to start. This modified dry cycle 5 program will remain in the dryer controller memory until the default settings push button is pressed. This default setting push button is located on the component side of the dryer controller printed circuit board at the lower middle side.

## **SERVICING THE DRYER**

**CAUTION:** Label all wires prior to disconnection when servicing controls. Wiring errors can cause improper and dangerous operation. Verify proper operation after servicing.

**ATTENTION:** Au moment de l'entretien des commandes, étiquetez tous les fils avant de les débrancher. Des erreurs de câblage peuvent entraîner un fonctionnement inadéquat et dangereux. S'assurer que l'appareil fonctionne adéquatement une fois l'entretien terminé.

If any of the following symptoms occur on this dryer, check the suggested remedies listed below. If all probable causes have been eliminated and the symptom still exists, contact your local Dexter agent for further troubleshooting assistance. See contact information in Preventative Maintenance section. Parts & Service Manuals from Dexter are also available for further troubleshooting assistance.

<b>Symptom</b>	<b>Probable Cause</b>	<b>Suggested Remedy</b>
Tumbler Does not turn	Loading Door	Check that Loading Door is completely closed
	Lint Compartment Door	Check that Lint Compartment Door is completely closed.
	Drive Belts	Check drive belts for excessive wear. Replace as needed.
	Variable Frequency Drive Fault	Contact Dexter agent for assistance
Tumbler Turns, but no burner flame is present	Gas shut-off valve	Make sure gas shut-off valve is in the open position
	Ignition Module	Follow the procedure for checking the ignition cycle listed in Dryer Ignition section of this manual.
Slow Drying	Control	Check that proper Temperature setting is chosen.
	Lint Screen	Clean Lint Screen
	Air flow Restrictions/ Make-up Air	Follow installation guidelines for static back pressure and make-up air
	Exhaust	Check exhaust for obstructions, follow installation guidelines
F1 or F2 Fault Code displayed on control	Temperature Sensor	See Dryer Fault Code section of this manual or contact Dexter agent for assistance
F3 Fault Code displayed on control	Control Error	See Dryer Fault Code section of this manual or contact Dexter agent for assistance
F4 or F5 Fault Code displayed on control	Drying Temperature Error	See Dryer Fault Code section of this manual or contact Dexter agent for assistance



# **PREVENTIVE MAINTENANCE INSTRUCTIONS**

## **DAILY**

1. Clean the lint screen. Use a soft brush if necessary.
2. Check the lint screen for tears. Replace if necessary.
3. Clean lint from the lint screen compartment.

## **MONTHLY**

1. Remove lint accumulation from the end bells of the motors.
2. Remove lint accumulation from front control area.
3. Remove lint and dirt accumulation from the top of the dryer and all areas above, below, and around the burners and burner housing. Failure to keep this portion of the dryer clean can lead to a build-up of lint creating a fire hazard.

## **QUARTERLY**

1. Check the belts for looseness, wear, or fraying.
2. Inspect the gasket of the door glass for excessive wear.
3. Check tightness of all fasteners holding parts to support channel.
4. Check tightness of all set screws.
5. Inspect the impeller for tightness of the blades to hub.
6. Remove the air flow switch assembly and check the tumbler thru-bolts for tightness.
7. Grease the pivot pins and the tension arms where in contact with each other. (Where applicable)

## **SEMI-ANNUALLY**

1. Remove and clean the main burners.
2. Remove all orifices and examine for dirt and hole obstruction.
3. Remove all lint accumulation. Remove the front panel and the lint screen housing and remove lint accumulation.
4. Apply a few drops of oil to each spacer tube on the tension arm assembly. (Where applicable)

## **ANNUALLY**

1. Check the intermediate pulley bearings for wear.
2. Check and remove any lint accumulation from the exhaust system.
3. Grease the bearings and the shaft of the intermediate drive pulley. Use an Alemite grease gun and Molykote BR2-S grease. (Where applicable)

## **SERVICE PARTS**

## **PART NUMBER**

	<b>T-50</b>	<b>T-80</b>	<b>T-120</b>	<b>T-170</b>
DRIVE BELT, MOTOR	N/A	9040-076-003	9040-076-008	9040-076-008
DRIVE BELT, TUMBLER	9040-076-004	9040-073-012	9040-076-005	9040-082-001
LINT SCREEN FILTER	9822-026-001	9822-031-002	9822-033-001	9822-034-001

For service and parts information, contact your local Dexter agent. If a Dexter agent is not available, contact **Dexter Laundry, Inc.** directly as listed below:

Mailing Address: 2211 West Grimes Avenue Phone: 1-800-524-2954  
Fairfield, IA 52556  
USA

Website: [www.dexter.com](http://www.dexter.com)

**SÉCHEUSE INDUSTRIELLE  
MODÈLE T-50/T-80/T-120/T-170 RÉVERSIBLE SUR SITE  
COMMANDE DE LA SÉRIE B, CHAUFFAGE AU GAZ NATUREL/GPL**



**DEXTER**  
LAUNDRY

**MANUEL DE L'UTILISATEUR  
INSTRUCTIONS D'INSTALLATION ET D'UTILISATION**

**La sècheuse ne doit pas être entreposée ni installée dans des endroits où elle risque d'être exposée à l'eau ou aux conditions climatiques.**

**▲ WARNING:**

**FIRE OR EXPLOSION HAZARD**

**Failure to follow safety warnings exactly could result in serious injury, death or property damage.**

- Do not store or use gasoline or other flammable vapors and liquids in the vicinity of this or any other appliance.
- WHAT TO DO IF YOU SMELL GAS
  - Do not try to light any appliance.
  - Do not touch any electrical switch; do not use any phone in your building.
  - Clear the room, building or area of all occupants.
  - Immediately call your gas supplier from a neighbor's phone. Follow the gas supplier's instructions.
  - If you cannot reach your gas supplier, call the fire department.
- Installation and service must be performed by a qualified installer, service agency or the gas supplier.

**▲ AVERTISSEMENT: Assurez-vous de bien suivre les instructions données dans cette notice pour réduire au minimum le risque d'incendie ou d'explosion ou pour éviter tout dommage matériel, toute blessure ou la mort.**

- Ne pas entreposer ni utiliser d'essence ni d'autres vapeurs ou liquides inflammables à proximité de cet appareil.
- QUE FAIRE SI VOUS SENTEZ UNE ODEUR DE GAZ
  - Ne pas tenter d'allumer d'appareils.
  - Ne touchez à aucun interrupteur. Ne pas vous servir des téléphones se trouvant dans le bâtiment.
  - Évacuez la pièce, le bâtiment ou la zone.
  - Appelez immédiatement votre fournisseur de gaz depuis un voisin. Suivez les instructions du fournisseur.
  - Si vous ne pouvez rejoindre le fournisseur de gaz, appelez le service des incendies.
- L'installation et l'entretien doivent être assurés par un installateur ou un service d'entretien qualifié ou par le fournisseur de gaz.

Affichez l'avertissement « Pour votre sécurité » suivant dans un emplacement bien en vue :

**FOR YOUR SAFETY**

Do not store or use gasoline or other flammable vapors or liquids in the vicinity of this or any other appliance.

Il est important que vous lisiez ce manuel et le conserviez pour le consulter ultérieurement. Pour l'entretien ou les pièces de rechange, communiquez avec le distributeur de votre localité ou avec le fabricant.

**POUR VOTRE SÉCURITÉ**

Ne pas entreposer ni utiliser d'essence ni d'autres vapeurs ou liquides inflammables à proximité de cet appareil ou de tout autre appareil.

Vous, l'acheteur, devez afficher dans un emplacement bien en vue les instructions à suivre dans l'éventualité où l'utilisateur détecte une odeur de gaz. Consultez votre fournisseur de gaz local pour connaître la procédure à suivre si une odeur de gaz est détectée.

**Dexter Laundry, Inc.**  
2211 West Grimes Avenue  
Fairfield, Iowa 52556, États-Unis

## **TABLE DES MATIÈRES**

	N° de page
Avertissements relatifs à l'utilisation et au fonctionnement	35
Caractéristiques techniques de la sécheuse	36
Dimensions de la sécheuse	37-48
Déballage	49
Évacuation de la sécheuse	52
Arrêt de la sécheuse	54
Interface de commande de la sécheuse	55
Paramètres de programmation par défaut d'usine de la commande de la sécheuse	56
Codes de défaillance de la sécheuse	56
Description du panneau tactile	57
Instructions d'utilisation	59
Programmation temporaire de la commande de la sécheuse	60
Programmation permanente de la commande de la sécheuse	63
Entretien et dépannage	67
Instructions d'entretien préventif	68

### **AVERTISSEMENTS RELATIFS À L'UTILISATION ET AU FONCTIONNEMENT**

Il est **ABSOLUMENT NÉCESSAIRE** de mettre la sécheuse à la terre en la raccordant à une masse de terre (zéro) connue. Cette mesure assure non seulement la sécurité personnelle, mais elle est également nécessaire pour le bon fonctionnement de la machine.

**NE PAS MODIFIER CETTE MACHINE. MAINTENIR LES BOUCLERS, LES PROTECTIONS ET LES COUVERCLES EN PLACE.** Ces dispositifs de sécurité sont fournis afin de prévenir les blessures.

**CETTE SÉCHEUSE EST ÉQUIPÉE D'UN THERMOSTAT DE SUR-TEMPÉRATURE** situé à droite du moteur, à l'arrière du châssis. Si la sécheuse cesse de fonctionner, reportez-vous au manuel « Procédure d'entretien et liste des pièces » pour trouver les instructions correspondantes.

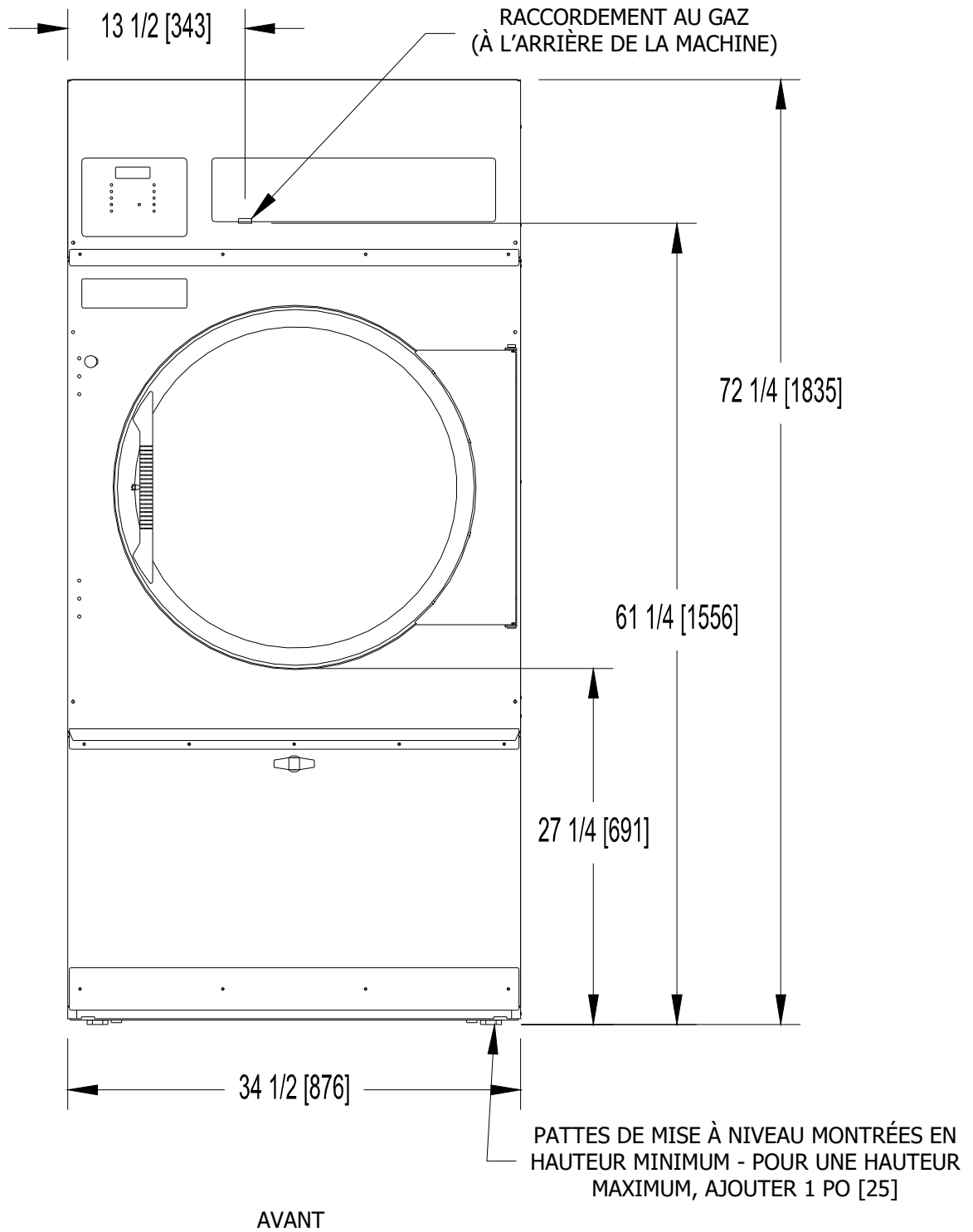
**VÉRIFIEZ CE THERMOSTAT LORS DE L'INSTALLATION DE LA SÉCHEUSE** afin de vous assurer que le circuit n'est pas coupé en raison du déclenchement du disjoncteur. Les chocs, tels que la manipulation brusque lors de l'expédition, peuvent couper le circuit du thermostat en déclenchant le disjoncteur.

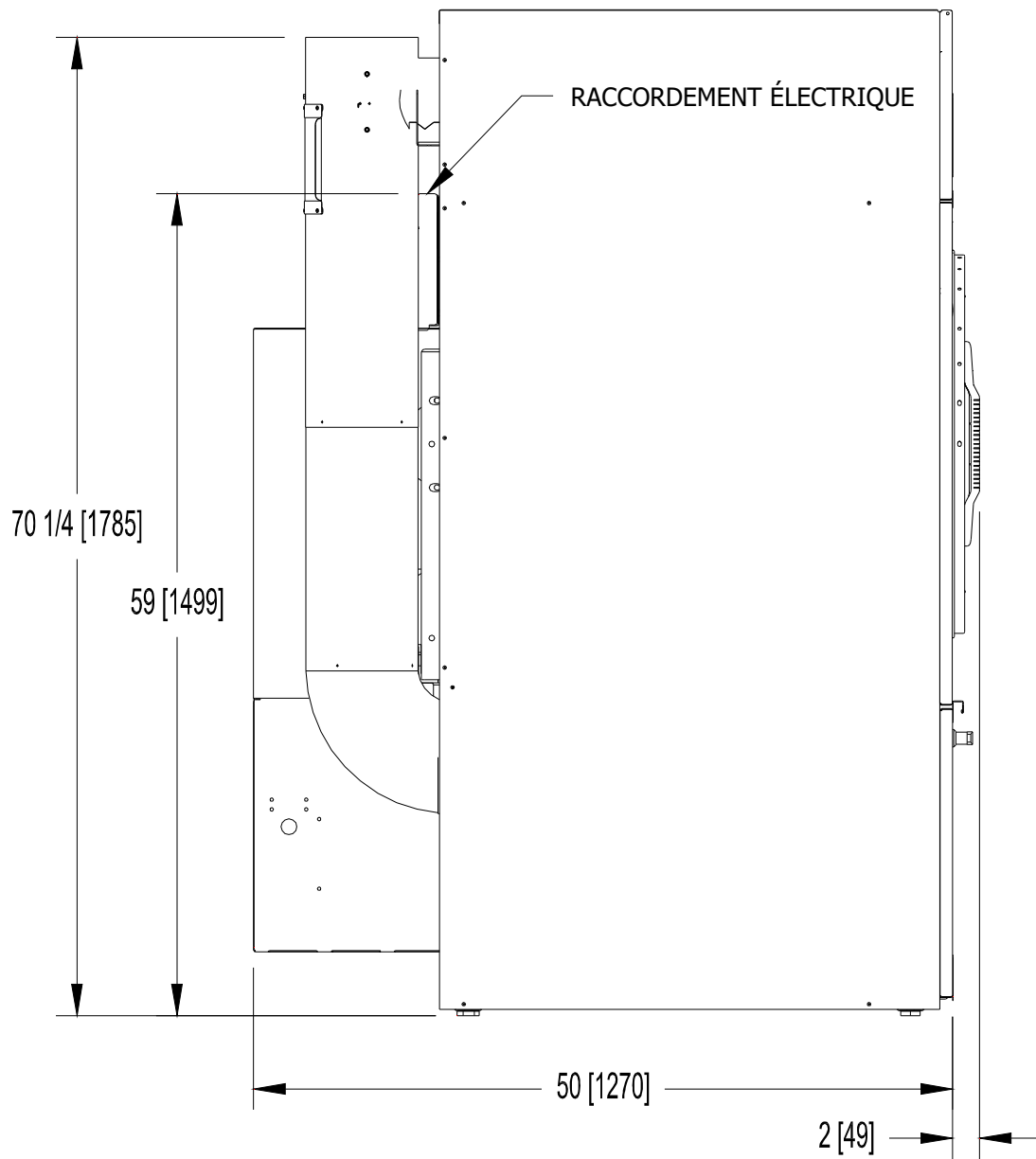
**NE PULVÉRISEZ PAS D'AÉROSOLS À PROXIMITÉ DE CETTE MACHINE** lorsque celle-ci est en fonctionnement.

**CETTE MACHINE NE DOIT PAS ÊTRE UTILISÉE POUR SÉCHER DES VÊTEMENTS CONTENANT DES SOLVANTS NI DES LIQUIDES DE NETTOYAGE À SEC.**

# FICHE TECHNIQUE DE LA SÈCHEUSE

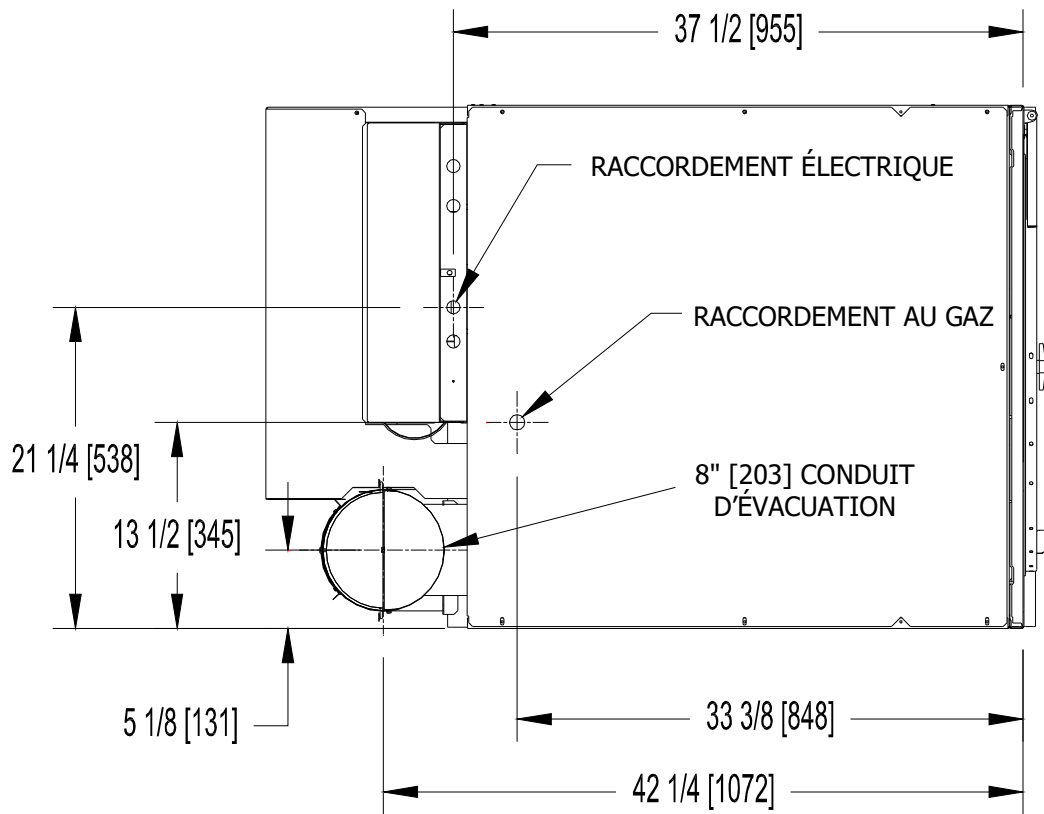
		T-50		T-80		T-120		T-170	
Capacité	Capacité de poids sec - lb (kg)	50	(22,7)	80	(36,3)	120	(54,4)	170	(77,1)
	Volume du cylindre - pi³ (L)	15,8	(447,4)	23	(651,3)	36,1	(1022,2)	50	(145,8)
Vitesse	Vitesse du tambour - tr/min	45	---	40	---	36,5	---	32,5	---
	Taille du moteur - Modèle 60 Hz à inversement - hp (kW)	2 et 0,5	(1,5 & 0,38)	1 et 0,75	0,75 et 0,56	1 et 1	0,75 et 0,75	2 et 3	1,5 et 2,2
	Taille du moteur - Modèle 50 Hz à inversement - hp (kW)	---	---	1 et 0,75	0,75 et 0,56	1 et 0,75	0,75 et 0,56	---	---
Débit d'air	Modèle 60 Hz avec sortie de 8 po - cfm (m³/min)	910	(25,8)	1200	(34)	---	---	---	---
	Modèle 60 Hz avec sortie de 10 po/ 12 po - cfm (m³/min)	---	---	---	---	1250/ 1450	(35,4/41,4)	---/ 1900	---/(53,8)
	Modèle 50 Hz avec sortie de 8 po - cfm (m³/min)	760	(21,5)	1000	(28,3)	---	---	---	---
	Modèle 50 Hz avec sortie de 10 po/ 12 po - cfm (m³/min)	---	---	---	---	1000	28,3	---	---
Dimensions	Haut eur du châssis - po (cm)	72,25	(183,5)	75 3/4	(192,4)	85 5/16	(216,7)	94	(238,8)
	Largeur du châssis - po (cm)	34,5	(87,6)	38 1/2	(97,8)	46 3/4	(118,7)	53 1/8	(134,9)
	Profondeur du châssis - Inversement - po (cm)	50	(127)	51 3/4	(131,4)	60 3/16	(152,9)	63	(160)
	Ouverture de la porte - po (cm)	25,625	(65,1)	25 5/8	(65,1)	30	(76,2)	30	(76,2)
	Distance entre le sol et la porte - po (cm)	27,25	(69,2)	29 1/4	(74,3)	34	(86,4)	36 3/4	(93,3)
	Diamètre du cylindre - po (cm)	32,5	(82,6)	36 1/2	(92,7)	43	(109,2)	50 1/4	(127,6)
	Profondeur du cylindre - po (cm)	33	(83,8)	38	(96,5)	43	(109,2)	43 1/2	(110,5)
	Zone du filtre à charpie - po² (cm²)	708	(4568)	823	(5310)	862	(5561)	1021	(6587)
Poids	Poids net - Inversement - lb (kg)	560	(254)	715	(324,3)	1075	(487,6)	1361	(617,3)
Expédition	Poids d'expédition - Inversement - lb (kg)	620	(281,2)	770	(349,3)	1122	(508,9)	1440	(653,2)
	Haut eur d'expédition - po (cm)	77,25	(196,2)	80 3/4	(205,1)	88 3/8	(224,5)	97 1/8	(246,7)
	Largeur d'expédition - po (cm)	36	(91,4)	40 1/4	(102,2)	48 1/4	(122,6)	54 5/8	(138,7)
	Profondeur d'expédition - Inversement - po (cm)	53,5	(135,9)	55 1/2	(141)	68 1/2	(174)	71 3/8	(181,3)
Gaz (modèles à gaz uniquement)	Raccordement gaz - po (mm)	1/2	(12,7)	3/4	(19,1)	3/4	(19,1)	1	(25,4)
	Approvisionnement engaz naturel (colonne d'eau) - po (cm)	5-8	(12,7-20,3)	5-8	(12,7-20,3)	5-8	(12,7-20,3)	5-8	(12,7-20,3)
	Pression du collecteur du brûleur à gaz naturel (colonne d'eau) - Modèle 60 Hz - po (cm)	3,5	(8,89)	3,5	(8,89)	3,5	(8,89)	3,5	(8,89)
	Pression du collecteur du brûleur à gaz naturel (colonne d'eau) - Modèle 50 Hz - po (cm)	3,5	(8,89)	3,5	(8,89)	3,5	(8,89)	---	---
	Approvisionnement engaz de pétrole liquéfié (colonne d'eau) - po (cm)	11 1/2- 13 1/2	(29,2-34,3)	11 1/2- 13 1/2	(29,2-34,3)	11 1/2- 13 1/2	(29,2-34,3)	11 1/2- 13 1/2	(29,2-34,3)
	Pression du collecteur du brûleur à GPL (colonne d'eau)	11	(27,9)	11	(27,9)	11	(27,9)	11	(27,9)
	Modèle 60 Hz - po (cm)	---	---	---	---	---	---	---	---
	Pression du collecteur du brûleur à GPL (colonne d'eau)	11	(27,9)	11	(27,9)	10	(25,4)	---	---
	Modèle 50 Hz - po (cm)	---	---	---	---	---	---	---	---
	Consommation de gaz - Modèle 60 Hz - BTU/h (kW)	145 000	(42,5)	215 000	(63)	320 000	(93,8)	400 000	(117,2)
Consommation de gaz - Modèle 50 Hz - BTU/h (kW)	120 000	(35,2)	195 000	(57,1)	300 000	(87,9)	---	---	
Électricité	Modèles à gaz	V/Hz/Phase/Câblage		Courant disjoncteur/Courant de fonctionnement/Taille des câbles					
	-10	120/60/ 1/2 câbles + mise à la terre		---	15/ 10,4/# 13		25/ 15/# 12		---
	-11	208-240/60/ 1/2 câbles + mise à la terre		15/ 5,1/# 12		---		---	
	-13	208-240/60/ 3/3 câbles + mise à la terre		---		---		20/8,5/# 12	
	-39	230/50/ 1/2 câbles + mise à la terre		---		10/5,2/2,1mm²		20/10/3,5mm²	
Installation	Écart minimum entre les machines - po (cm)	0	0	0	0	0	0	0	0
	Écart minimum derrière les machines - po (cm)	18	(45,7)	18	(45,7)	18	(45,7)	18	(45,7)
	Air d'appoint nécessaire - pi² (cm²)	1,25	(116,1)	1,5	(139,4)	2,25	(2090)	3	(2787)
	Taille de l'évacuation - po (cm)	8	(20,3)	8	(20,3)	10 ou 12	(25,4 ou 30,5)	12	(30,5)
	Pression arrière d'évacuation max. (colonne d'eau) - po (mm)	0,3	(7,6)	0,3	(7,6)	0,3	(7,6)	0,3	(7,6)
	Longueur d'évacuation recommandée - pi (m) et 2 coudes	14	(4,3)	14	(4,3)	14	(4,3)	14	(4,3)





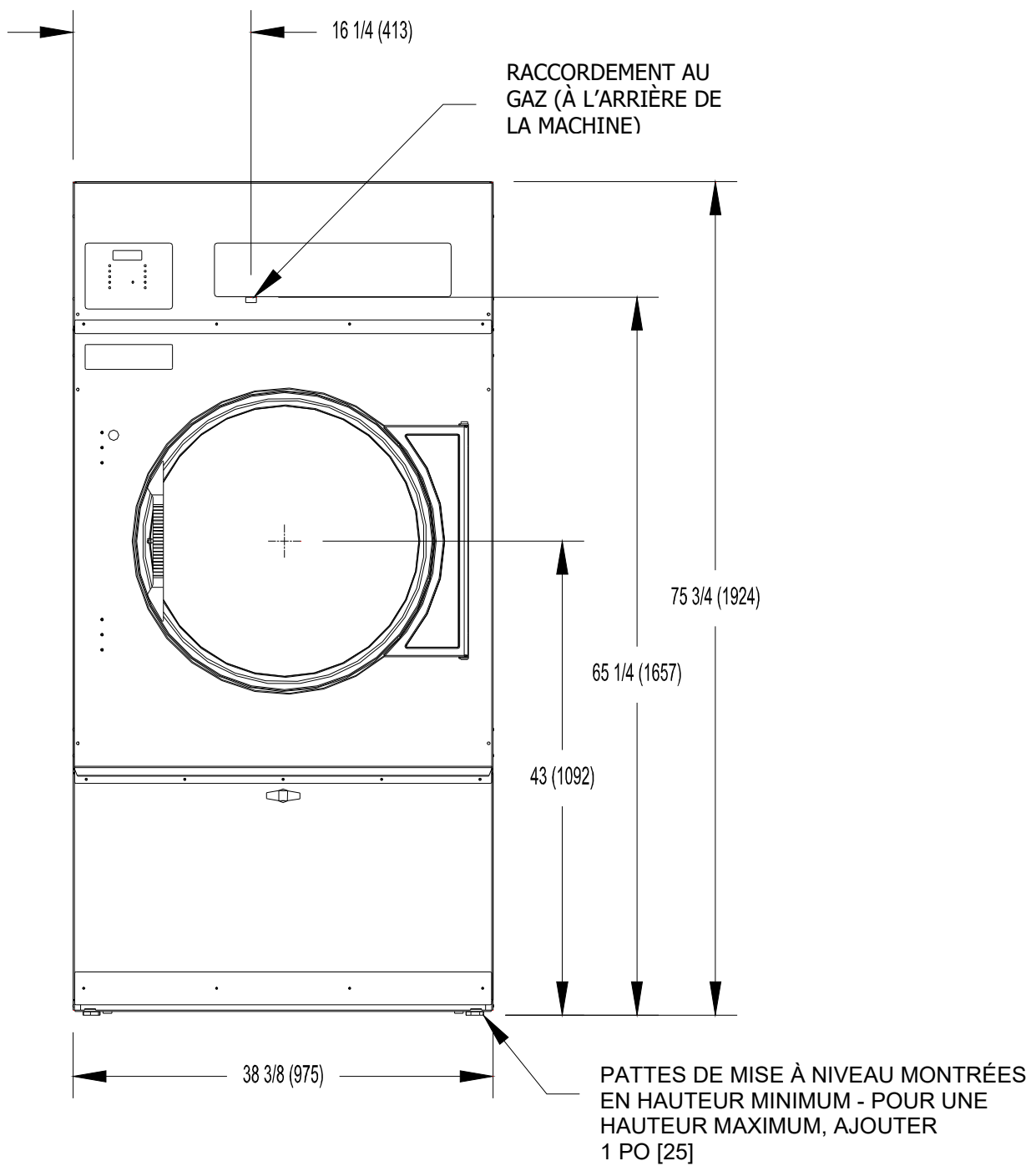
CÔTÉ

**DIMENSIONS DE LA SÈCHEUSE T-50**



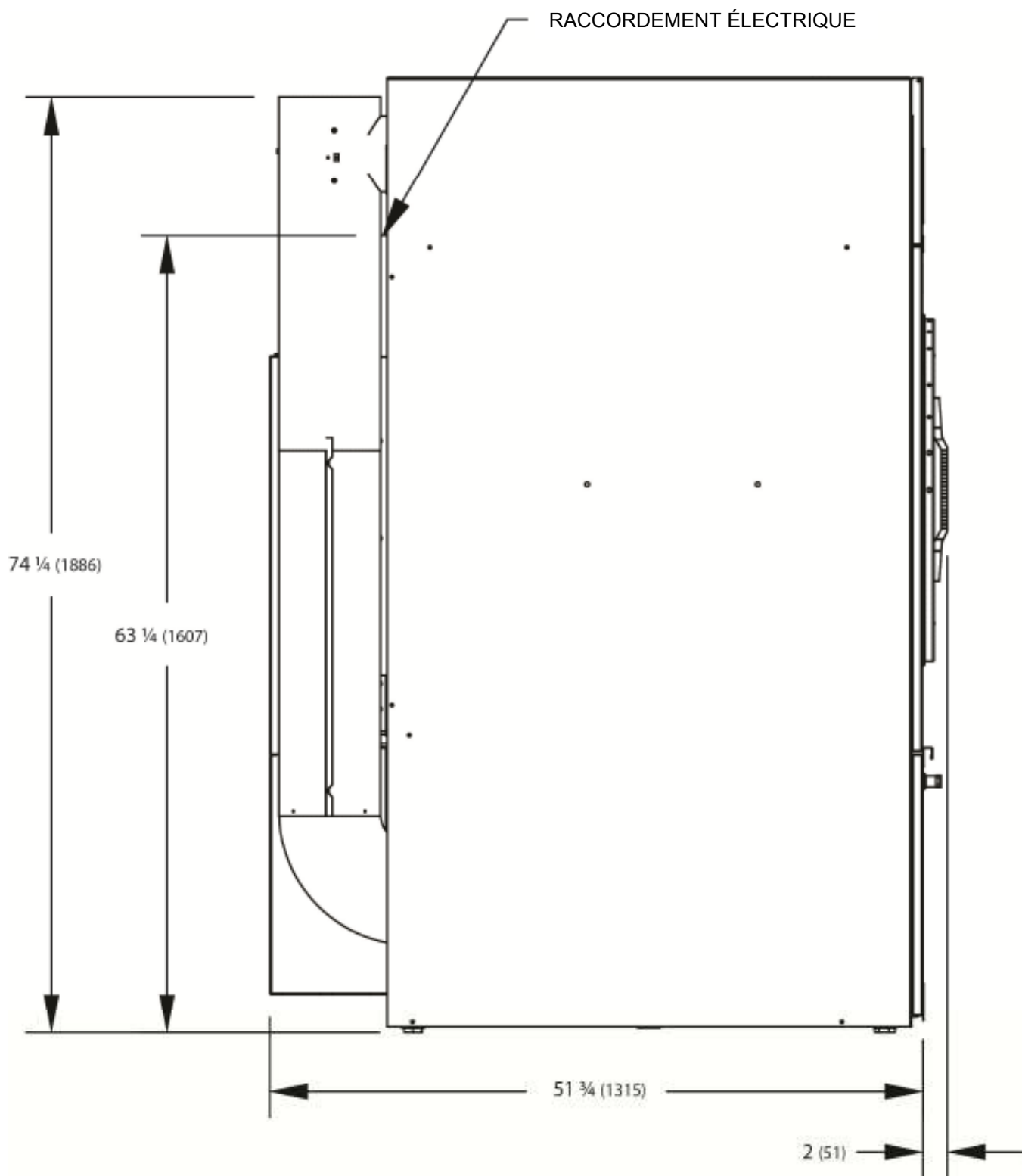
DESSUS

**DIMENSIONS DE LA SÈCHEUSE T-50**

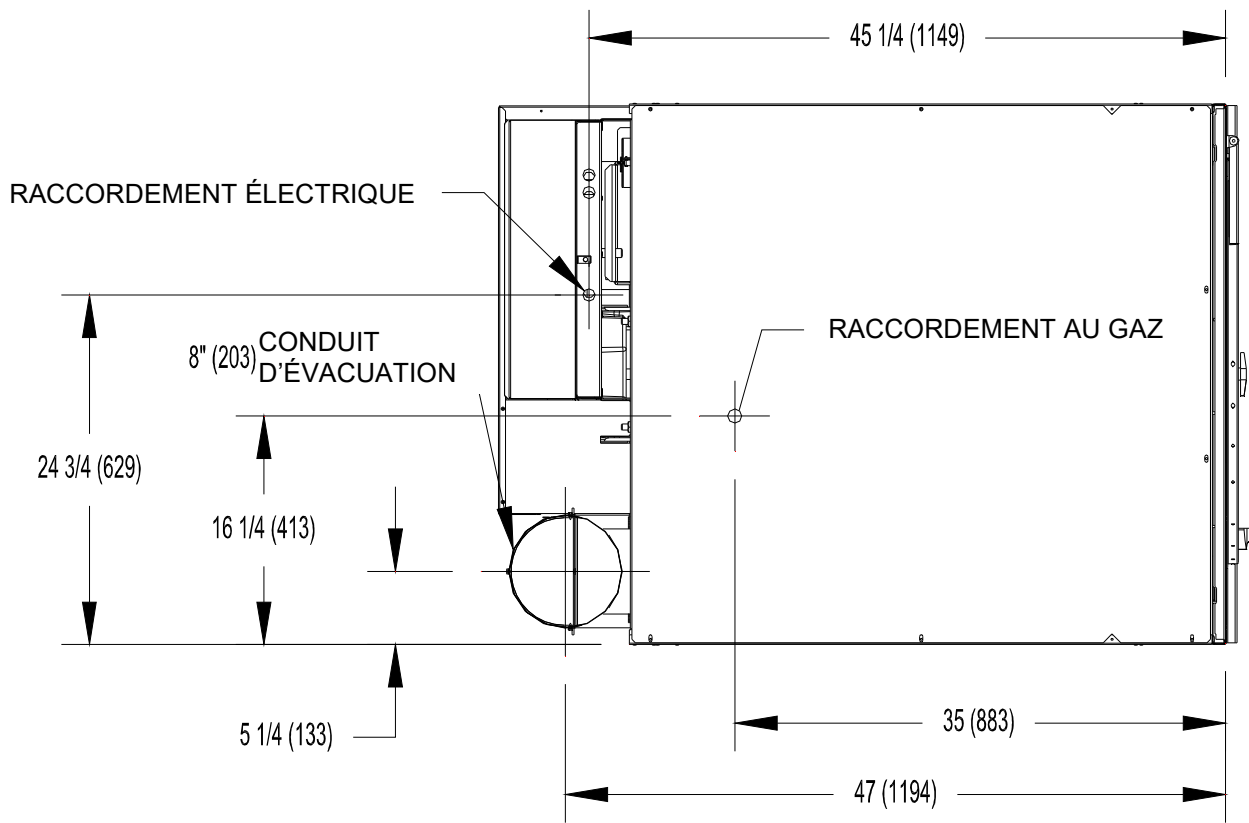


### DIMENSIONS DE LA SÈCHEUSE T-80

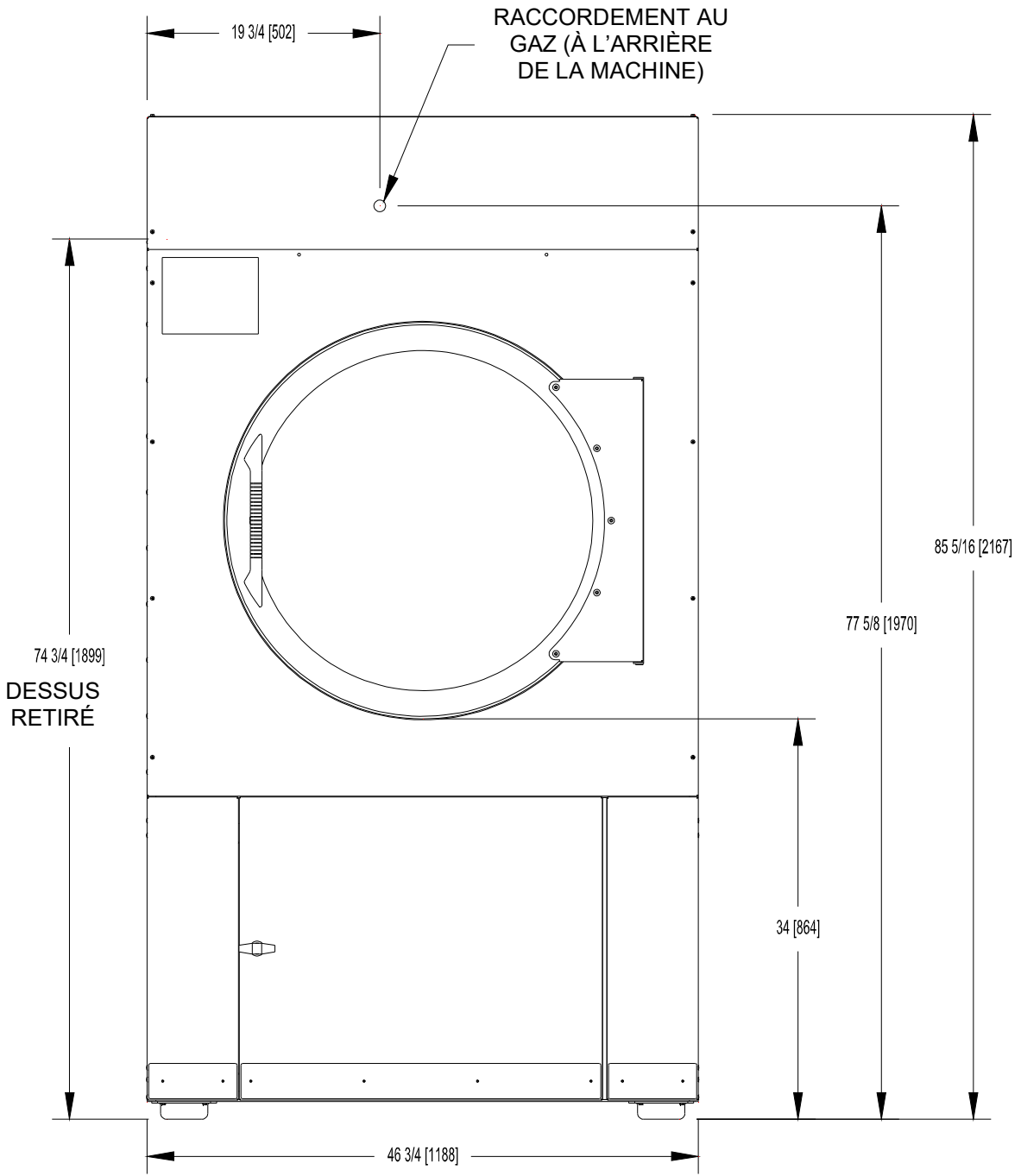




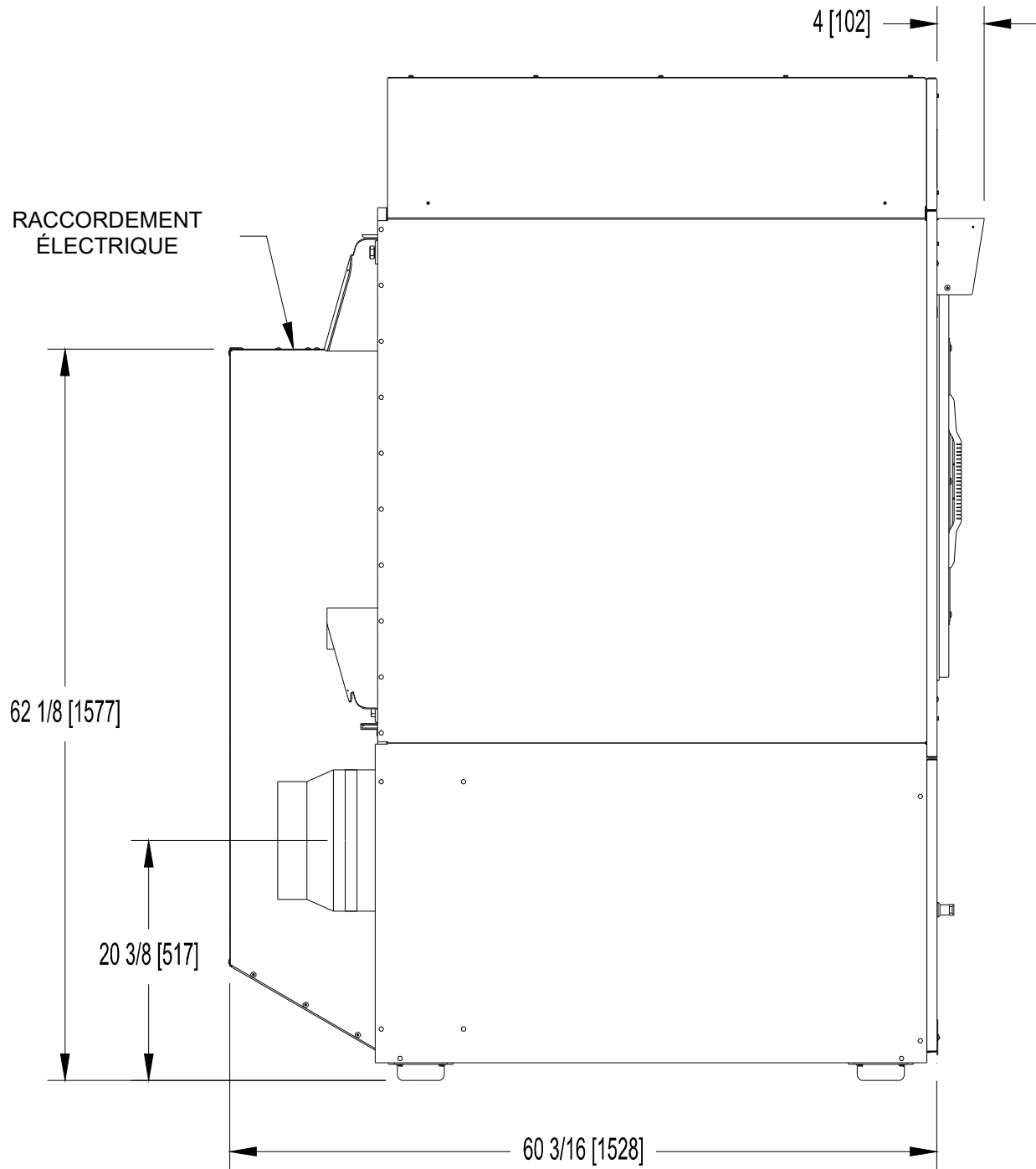
**DIMENSIONS DE LA SÉCHEUSE T-80**



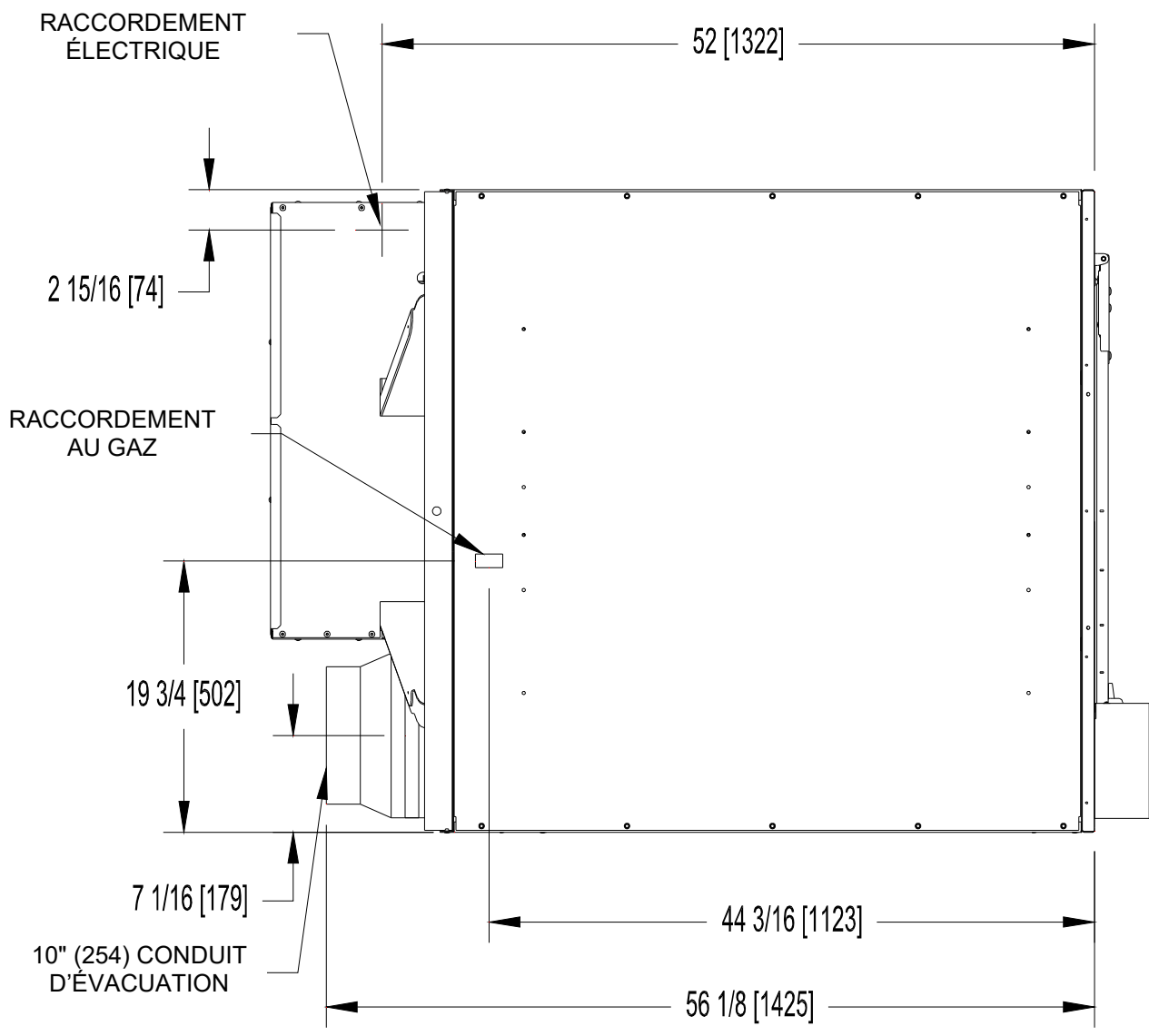
**DIMENSIONS DE LA SÈCHEUSE T-80**



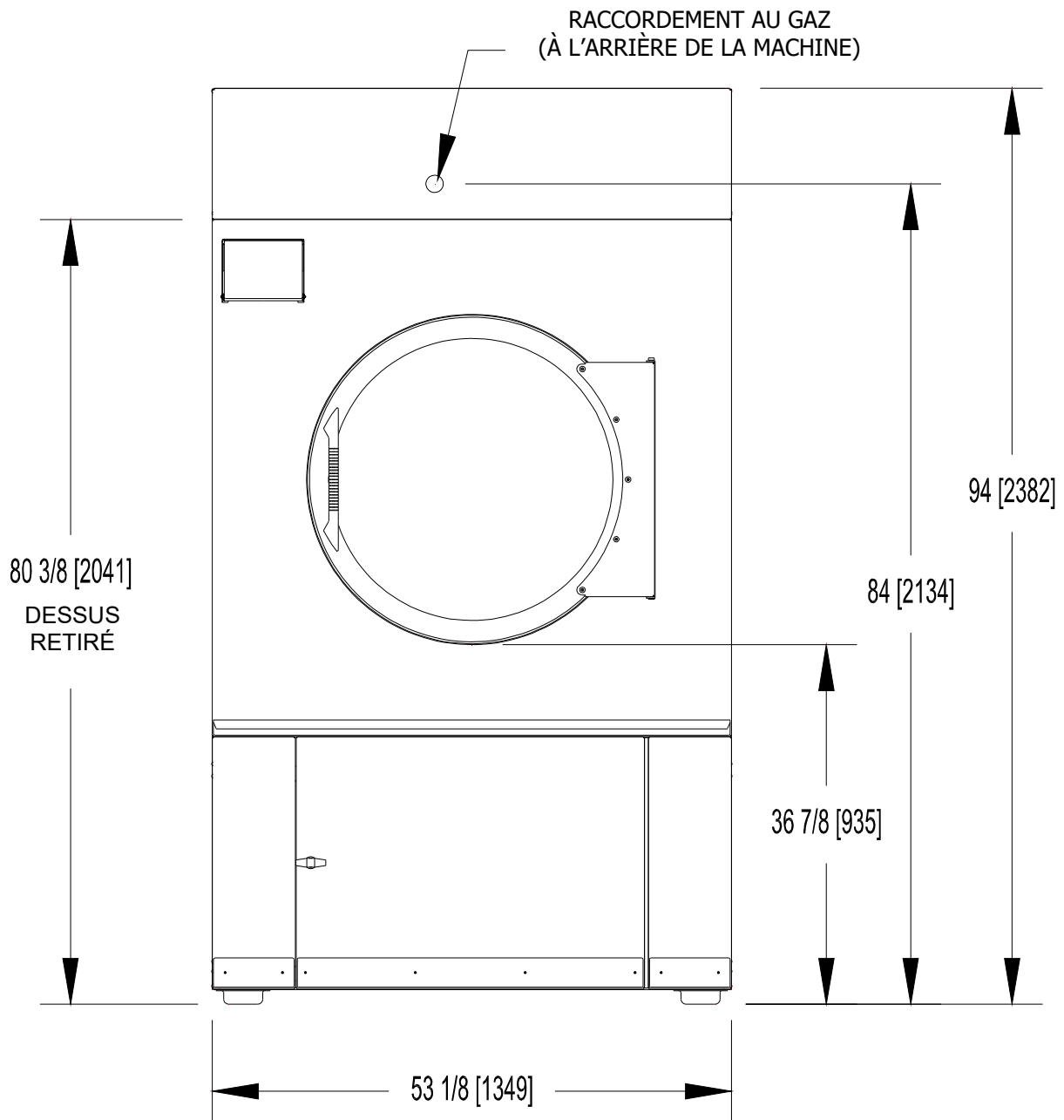
**DIMENSIONS DE LA SÉCHEUSE T-120**



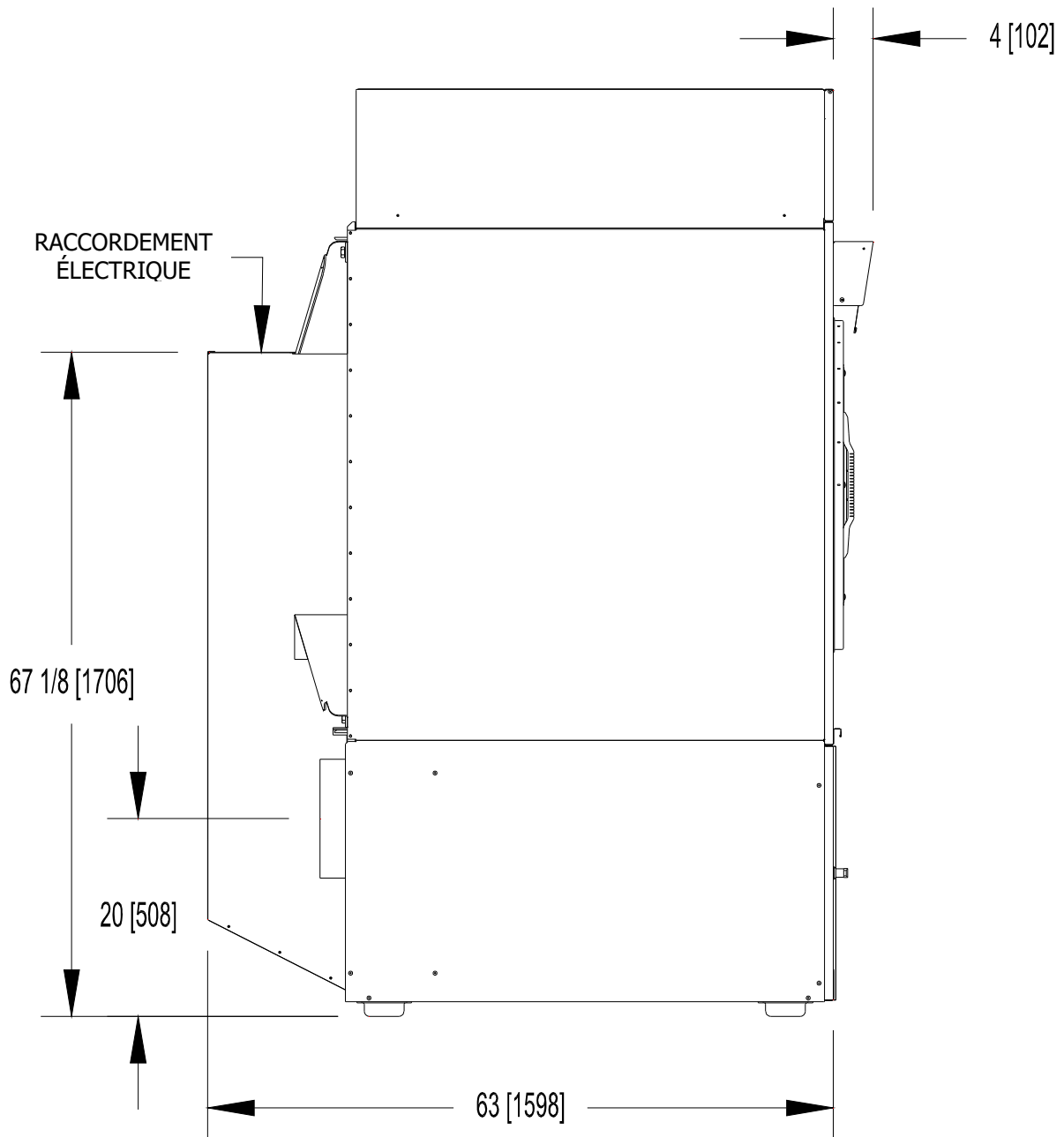
**DIMENSIONS DE LA SÉCHEUSE T-120**



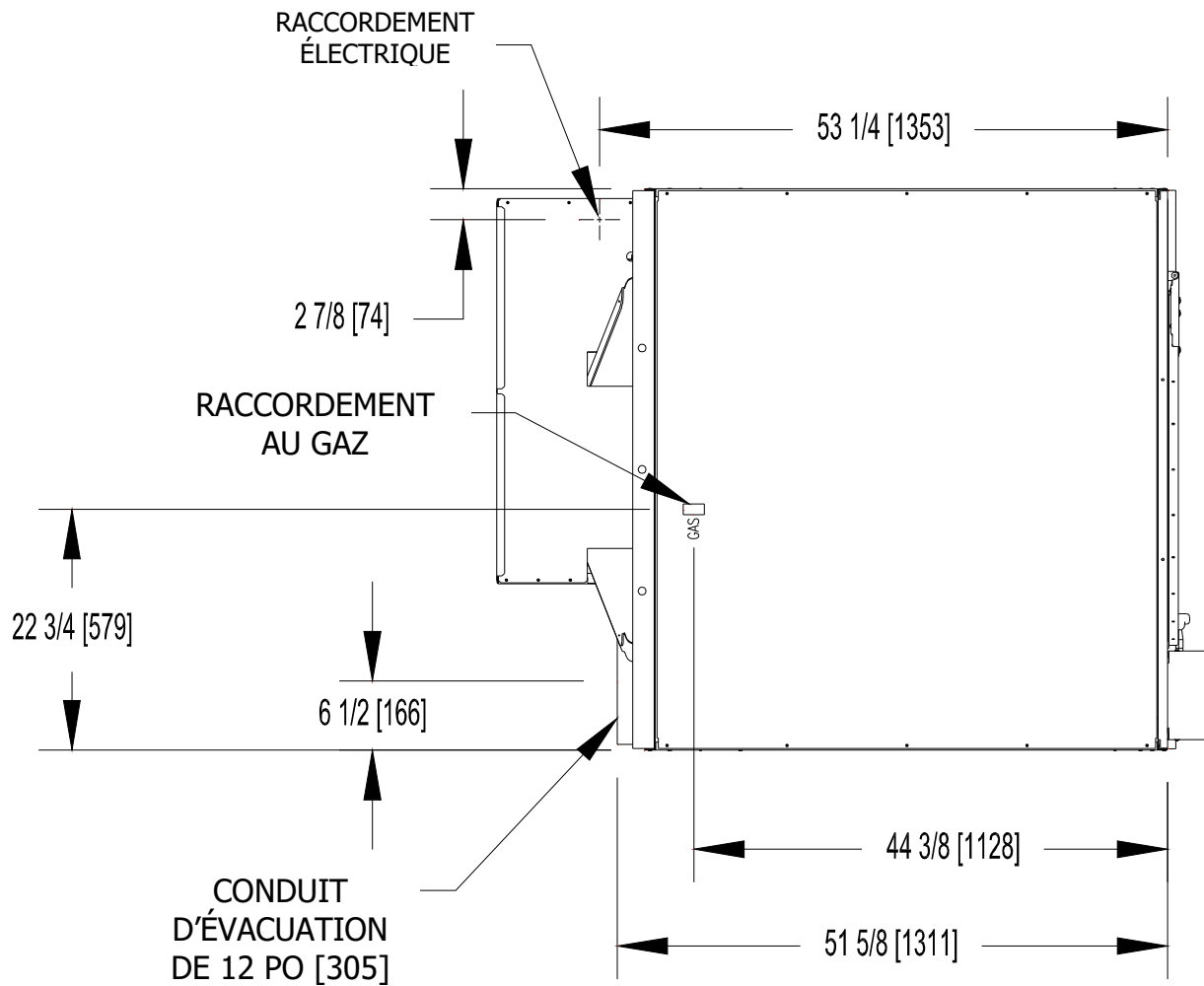
**DIMENSIONS DE LA SÈCHEUSE T-120**



**DIMENSIONS DE LA SÉCHEUSE T-170**



**DIMENSIONS DE LA SÈCHEUSE T-170**



**DIMENSIONS DE LA SÈCHEUSE T-170**



# INSTRUCTIONS D'INSTALLATION ET D'UTILISATION

## SÉCHEUSE INDUSTRIELLE

### DÉBALLAGE

Outils requis : Douille hexagonale de 3/4 po et clé à cliquet, couteau, pince multiprise disposant d'une ouverture de 1 3/8 po.

- Retirez l'emballage en plastique à l'aide du couteau. Retirez les crémaillères du carton, les rembourrages et le couvercle supérieur.
- À l'aide de la clé et de la douille de 3/4 po, retirez les (4) boulons rattachant la palette en bois à l'armoire de la sécheuse. Conservez les boulons pour le déplacement ultérieurement de la sécheuse.
- Avec un mouvement de marche, déplacez la sécheuse vers l'avant pour la retirer complètement de la palette en bois. Conservez la palette pour le déplacement ultérieur de la sécheuse.
- T-50/80 seulement : À l'aide de la pince multiprise, ajustez les pattes de mise à niveau afin d'aligner la machine avec les unités adjacentes.

Remarque : Si la sécheuse doit être à nouveau déplacée, elle doit être remontée sur la palette et les boulons d'emballage doivent être réinsérés et serrés, dans l'ordre inverse des instructions ci-dessus.

### INSTALLATION DE LA SÉCHEUSE

**1. CONFORMITÉ AU CODE :** Toutes les installations de sécheuses commerciales doivent se conformer aux codes locaux ou, en cas d'absence de ces derniers, à la dernière édition du National Fuel Gas Code ANSI Z223.1A. Les installations canadiennes doivent se conformer au Code d'installation pour appareils fonctionnant à gaz et matériel connexe Standard CAN/CGA-B149 (.1 ou .2) en vigueur, ainsi qu'aux codes locaux, le cas échéant. Les installations australiennes doivent se conformer aux exigences d'installation et de taille de tuyaux du Code AS/NZS 5601. Une fois installée, la machine doit être mise à la masse électrique en conformité avec la dernière édition du Code national de l'électricité, ANSI/NFPA70 ou, lorsqu'elle est installée au Canada, au Code électrique canadien Standard CSA C22.1, Partie 1.

Afin de raccorder la sécheuse à la tuyauterie d'alimentation, utilisez un raccord énuméré conforme au Standard pour raccords pour appareils à gaz, ANSI Z21.24 • CSA 6.10.

**2. ÉCARTS D'INSTALLATION :** L'unité peut être installée dans une alcôve aux écarts suivants. (millimètres)

- |                |  |
|----------------|--|
| I. Côté gauche | 0 po   |
| II. Côté droit | 0 po *   |
| III. Arrière   | 18 po (457) (Certifié pour un écart de 1 po (25); en revanche, un écart de 18 po (457) est nécessaire derrière la protection de la courroie, afin de permettre l'entretien et la maintenance.)   |
| IV. Avant      | 48 po (1 220) (pour permettre l'utilisation de la sécheuse)  |
| V. Dessus      | Consultez la figure intitulée « Dimensions d'écart vertical ».<br>AB. La certification permet un écart de 0 po au-dessus, à 18 po (456 mm) à partir du devant.<br>Toutefois, il est nécessaire de laisser un écart de 1/4 po (6 mm) afin de pouvoir ouvrir la porte de service supérieure.<br>C. Un écart de 10 po (250 mm) est nécessaire au-dessus à tous les autres points. |
| VI. Plancher   | Cette unité peut être installée sur un plancher combustible.   |

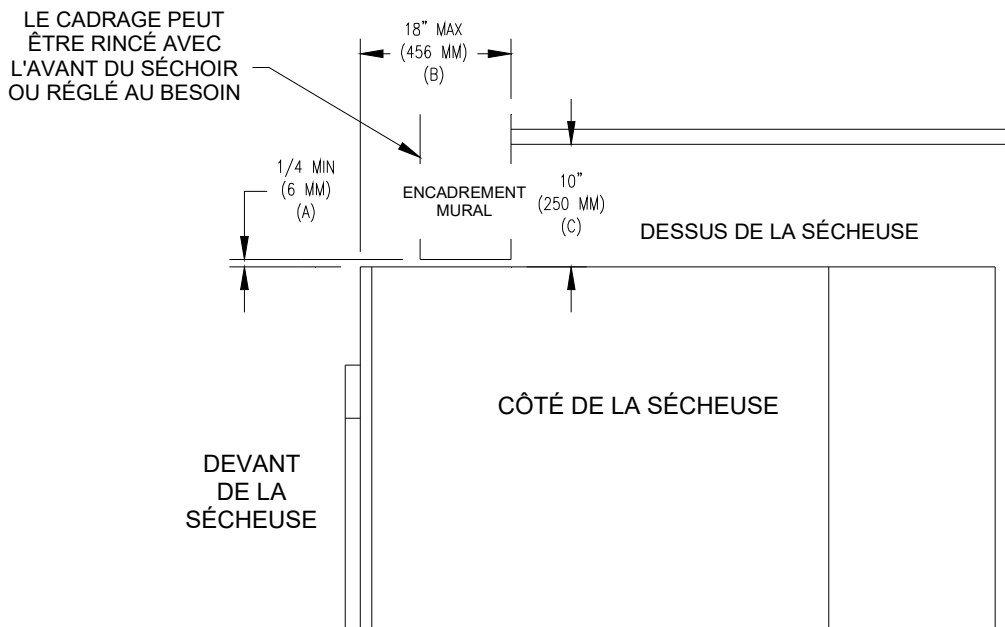
\*Les unités peuvent être installées en contact direct avec une sécheuse adjacente, à condition qu'il soit possible d'ouvrir les portes de service supérieures et inférieures.

N'obstruez pas le flux de combustion et d'air de ventilation.

Maintenez un écart minimum de 1 po (25) entre le tuyau et le matériau combustible.

Consultez l'étiquette d'installation apposée à la protection arrière de la sècheuse pour connaître les autres renseignements d'installation.

### DIMENSIONS D'ÉCART VERTICAL



**3. AIR D'APPOINT :** Un air d'appoint adéquat doit être fourni afin de remplacer l'air évacué par les sècheuses sur tous les types d'installations. Consultez les spécifications pour connaître l'ouverture minimum d'air d'appoint vers l'extérieur requise pour chaque sècheuse. C'est une exigence nette de surface effective. Les filtres, grilles ou persiennes qui restreindront le débit d'air doivent être pris en considération. Consultez le fournisseur afin de déterminer la surface libre équivalente pour la grille utilisée. La source d'air d'appoint doit être située à distance suffisante des sècheuses afin de permettre un débit d'air homogène vers les entrées d'air de toutes les sècheuses. Plusieurs ouvertures doivent être fournies.

Les sources d'air d'appoint et de circulation d'air de ventilation de la pièce vers toutes les sècheuses doivent être situées à distance de tous les nettoyeurs à sec. Cela est nécessaire afin que les vapeurs de solvants ne soient pas aspirées dans les conduits d'entrée de la sècheuse. Les vapeurs de solvants des nettoyeurs à sec se décomposeront en contact avec une flamme nue telle que la flamme de gaz des sècheuses à vêtements. Les produits de décomposition sont hautement corrosifs et endommageront les conduits des sècheuses et les brassées de vêtements.

**4. EXIGENCES ÉLECTRIQUES :** Les exigences électriques nécessaires pour faire fonctionner l'unité de manière satisfaisante sont énumérées sur la plaque signalétique située sur le panneau arrière de chaque sècheuse et dans la section Caractéristiques techniques de ce manuel. Le raccordement électrique doit être fait au bornier, à l'arrière de l'unité. Il est absolument nécessaire de mettre la sècheuse à la terre en la raccordant à une terre connue. Des disjoncteurs individuels sont nécessaires pour chaque sècheuse.

Il est conseillé d'installer des disjoncteurs individuels pour chaque unité. N'utilisez pas de disjoncteurs de mise à la terre ni de prises à interrupteur de mise à la terre. Le diagramme de câblage est situé sur la protection de la courroie à l'arrière de la machine.

## **IMPORTANT : SUPPRESSEURS DE SURTENSION TRANSITOIRE**

Comme la plupart des appareils électriques, votre nouvelle machine peut être endommagée ou sa durée de vie écourtée par des surtensions dues à des éclairs qui ne sont pas couvertes par la garantie d'usine. Les problèmes de distribution électrique locaux peuvent également avoir un effet néfaste sur la durée de vie des composants électriques. Nous conseillons l'installation de suppressesurs de surtension transitoire pour votre nouvelle machine. Ces dispositifs peuvent être placés au panneau d'alimentation électrique pour l'ensemble de l'installation et ne nécessitent pas de dispositif individuel pour chaque machine.

Ces dispositifs antisurtension permettent de protéger la machine contre les grands pics de tension, ainsi que les petits pics qui se produisent quotidiennement. Ces plus petites surtensions peuvent réduire la durée de vie générale des composants électriques et causer une défaillance ultérieure. Bien qu'ils ne puissent pas protéger contre tous les événements, ces dispositifs de protection ont une bonne réputation pour rallonger significativement la durée de vie utile des composants électriques. Les composants électriques ont tendance à disposer d'une plus longue durée de vie utile lorsqu'ils sont alimentés par une source électrique stable et propre.

Ci-joint les noms et les numéros de téléphone de quelques fournisseurs de tels dispositifs pour ceux qui ne disposent pas actuellement d'une source.

<u>FABRICANT</u>	<u>CONTACT</u>	<u>TÉLÉPHONE</u>
Innovative Technology, Inc (Eaton)	Usine	1-800-647-8877 ou <a href="http://www.itvss.com">www.itvss.com</a>
EFI Electronics Corporation (Schneider Electric)	Usine Distributeur - Surge Pro	1-800-877-1174 ou <a href="http://www.efinet.com">www.efinet.com</a> 1-877-233-0153
MCG Surge Protection	Usine	1-800-851-1508 ou <a href="http://www.mcgsurge.com">www.mcgsurge.com</a>
Advanced Protection Technologies Inc.	Usine	1-800-237-4567 ou <a href="http://www.aptsurge.com">www.aptsurge.com</a>

**5. EXIGENCES DE GAZ** : Les exigences de gaz nécessaires pour faire fonctionner la sécheuse de manière satisfaisante sont énumérées sur la plaque signalétique située sur le panneau arrière de la sécheuse.

Le raccord de gaz d'alimentation à l'unité dispose d'un filetage de 1/2 po [12,7 mm] pour le modèle T-50, de 3/4 po [19,1 mm] pour le modèle T-80/T-120 et de 1 po [25,4 mm] pour le modèle T-170.

Il est conseillé d'installer un robinet d'arrêt de gaz individuel pour chaque sécheuse, ce qui peut être requis par le Code local (non fourni).

Un mastic de jointement résistant à l'action des gaz de pétrole liquéfiés doit être utilisé pour effectuer les raccords de tuyau.

Tous les raccords de tuyaux doivent être vérifiés avec une solution savonneuse pour s'assurer qu'ils ne fuient pas. Ne vérifiez jamais avec une flamme nue.

Un té de purge doit être installé sur la tuyauterie de gaz entrant dans l'unité afin de piéger la saleté et les autres matériaux étrangers.

Un port de test fileté NPT de 1/8 po (3,2 mm) accessible pour le raccord de test de jauge doit être installé immédiatement en amont du raccord d'alimentation de gaz à la sécheuse pour vérifier la pression d'alimentation. Testez et réglez la pression d'alimentation pour garantir la conformité avec la spécification indiquée sur la plaque signalétique.

La pression d'alimentation de gaz naturel conseillée est de 7 pouces de colonne d'eau (17,8 cm) à chaque sécheuse.

Un port de test fileté NPT de 1/8 po (3,2 mm) est connecté à l'extrémité du collecteur du brûleur pour en vérifier la pression. Vérifiez et réglez la soupape de régulation de gaz de la sécheuse lorsque le brûleur est en marche, afin de garantir la conformité avec la spécification de la pression du collecteur indiquée sur la plaque signalétique.

Après le test, veuillez à remettre les bouchons NPT de 1/8 po (3,2 mm) sur le collecteur et au port de test des conduites d'alimentation à l'aide d'un mastic à joint avant d'utiliser la sécheuse.

Pour les altitudes supérieures à 2 000 pieds (610 m), il est nécessaire de réduire l'entrée BTU. Communiquez avec votre distributeur local pour obtenir des instructions.

Des trousse de conversion GPL sont disponibles pour cette sécheuse. Communiquez avec votre distributeur local.

**MISE EN GARDE :** La sécheuse doit être déconnectée du système de tuyauterie d'alimentation de gaz lors de tout essai de pression de ce système. N'exposez pas la valve de contrôle de gaz de la sécheuse à la pression d'essai.

**6. INSTALLATION DE L'ÉVACUATION :** L'évacuation des sécheuses doit être planifiée et fabriquée de manière à éviter toutes restrictions d'air. Toute restriction due à la taille des tuyaux ou au type d'installation peut causer des temps de séchage allongés, une chaleur excessive et la présence de charpie dans la pièce.

D'un point de vue opérationnel, une évacuation incorrecte ou inadéquate peut causer la fermeture du thermostat de limite supérieure qui ferme les brûleurs principaux et entraîne un séchage inefficace.

Il est conseillé d'installer une évacuation individuelle pour chaque sécheuse. Toute la chaleur, l'humidité et les charpies doivent être évacuées vers l'extérieur en raccordant un tuyau du bon diamètre au collier adaptateur de la sécheuse et en l'étendant à travers un mur donnant sur l'extérieur. Ce tuyau doit être lisse à l'intérieur, car les surfaces rugueuses ont tendance à amasser les charpies, ce qui finit par boucher le conduit et empêche l'évacuation adéquate de la sécheuse. Tous les coudes doivent être lisses à l'intérieur. Tous les joints doivent être réalisés de manière à ce que l'évacuation d'un tuyau soit à l'intérieur du tuyau suivant en aval. L'ajout d'un tuyau d'évacuation a tendance à réduire la quantité d'air pouvant être évacuée par le ventilateur. Cela n'a pas d'effet néfaste sur le fonctionnement de la sécheuse si l'on reste dans les limites pratiques. Pour un fonctionnement le plus efficace, il est conseillé d'utiliser un maximum de 14 pi (4,3 m) de tuyau droit de 8 po (20,3 cm) de diamètre pour le modèle T-50/T-80 ou de 10 po ou 12 po (25,4 cm ou 30,5 cm) de diamètre pour le modèle T-120 ou de 12 po (30,5 cm) de diamètre pour le modèle T-170 et deux coudes à angle droit. Lors de l'utilisation de plus de deux coudes, 2 pi (600 mm) de tuyau droit doivent être retirés pour chaque coude supplémentaire. L'évacuation de la sécheuse ne doit pas utiliser plus de quatre coudes à angle droit.

Maintenez un écart minimum de 1 po (25) entre le tuyau et le matériau combustible.

Si le tuyau d'évacuation passe à travers un mur, un manchon métallique d'un diamètre légèrement plus grand doit être installé dans le mur et le tuyau d'évacuation doit passer à travers ce manchon. Cette pratique est requise par certains codes locaux et est conseillée dans tous les cas afin de protéger le mur. Ce type d'installation doit prévoir un moyen d'empêcher la pluie et les vents forts d'entrer dans l'évacuation lorsque la sécheuse n'est pas en fonctionnement. Un capot muni d'une charnière à ressort peut être utilisé à cette fin. Une autre méthode consiste à orienter la sortie du tuyau vers le bas afin d'empêcher l'entrée de pluie ou de vent. Dans tous les cas, la sortie doit être libre, à une distance minimale de 24 po (610), de tout objet qui pourrait causer une restriction d'air.

N'installez jamais de filtre de protection sur la sortie de l'évacuation.

Lors de l'évacuation directe d'une sécheuse vers le haut à travers le toit, la longueur totale du conduit est soumise aux mêmes limites qu'une évacuation à travers un mur. Un capuchon pare-pluie doit être placé au sommet de l'évacuation et ne doit pas être sujet à des obstructions. L'utilisation d'un « toit » conique au sommet du tuyau convient à cette application.

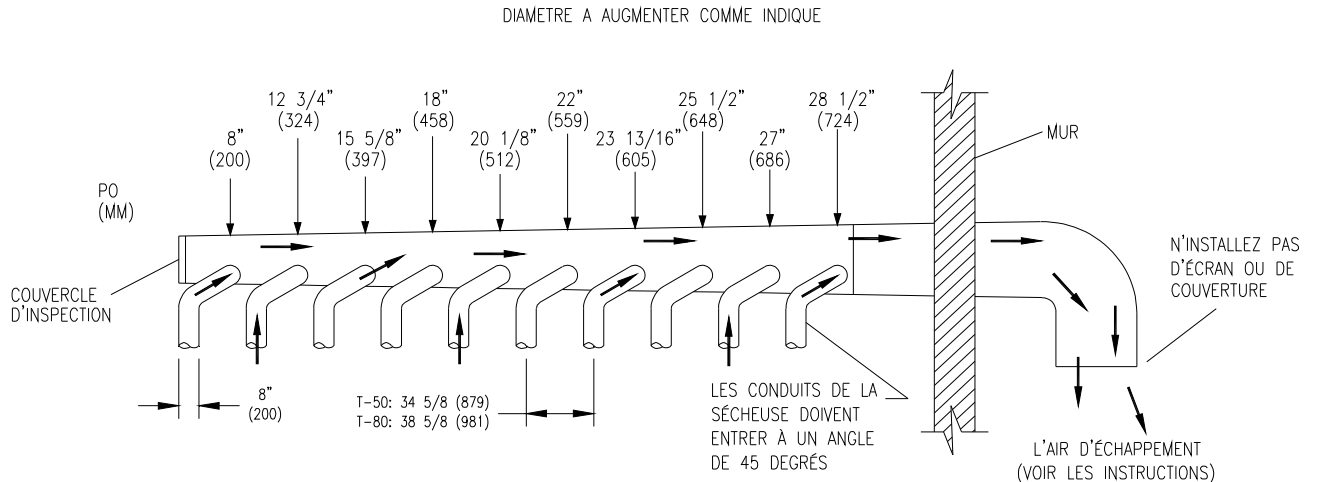
L'évacuation de la sécheuse dans une cheminée ou sous un bâtiment n'est pas permise. Dans les deux cas, il existe un danger d'accumulation de charpies qui peuvent être hautement combustibles.

L'installation de plusieurs sécheuses lorsqu'un conduit d'élimination principal est nécessaire, devra prendre en considération les éléments suivants. Les conduits individuels des sécheuses vers le conduit d'élimination principal doivent être inclinés à 45 degrés dans la direction du flux d'air d'élimination.

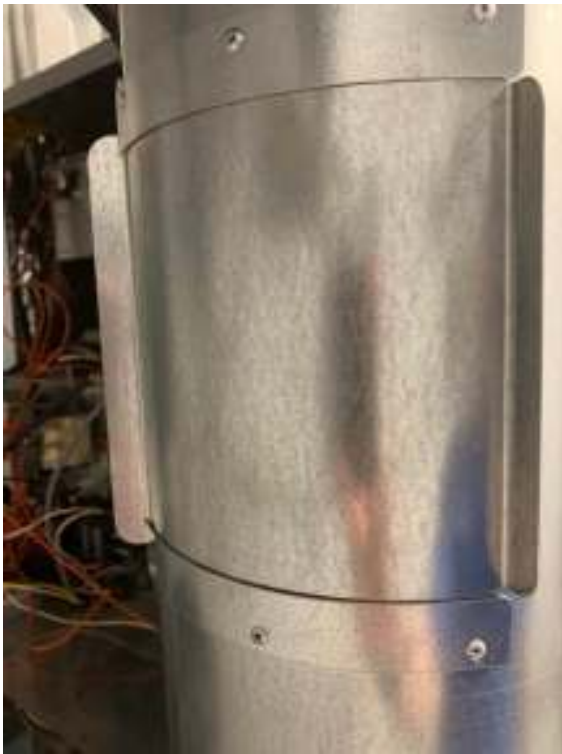
**REMARQUE :** N'installez jamais les conduits individuels à un angle droit avec le conduit d'élimination principal. Les conduits individuels des sécheuses peuvent entrer sur les côtés ou au-dessous du conduit d'élimination principal. Le conduit principal peut être rectangulaire ou rond, à condition qu'un débit d'air adéquat soit maintenu. Pour chaque sécheuse individuelle, l'évacuation totale (conduit d'élimination principal plus conduit de sortie de la sécheuse) ne doit pas excéder l'équivalent de 20 pi (6 m) et deux coudes. Le diamètre du conduit d'élimination principal à la dernière sécheuse doit être maintenu jusqu'à l'extrémité de l'évacuation.

**REMARQUE :** Un conduit de faible diamètre entraînera une restriction du débit d'air; un conduit de grand diamètre réduira la vitesse de l'air, ce qui contribuera dans les deux cas à une accumulation de charpies. Une porte d'inspection doit être fournie pour le nettoyage périodique du conduit principal.

**REMARQUE :** La CONTRE-PRESSION STATIQUE maximum doit être de 0,3 à la sortie arrière de l'évacuation de la sècheuse. Si plusieurs sècheuses sont raccordées au conduit commun, assurez-vous de l'installation correcte du registre antirefoulement.



Pour T-30/50/80: le panneau de nettoyage du conduit d'évacuation (comme illustré ci-dessous) doit être fermé pendant que la sècheuse est en service:



Gardez fermé pendant le service




Ouverture pour un nettoyage de routine

**7. ALLUMAGE DE LA SÉCHEUSE (ALLUMAGE TRANSISTORISÉ) :** Le système d'allumage transistorisé enflamme le gaz du brûleur principal à l'aide d'étincelles. Le gaz s'enflamme et brûle uniquement lorsque le relais du robinet de gaz (situé dans le contrôleur électronique) fait un appel de chaleur. La procédure de premier démarrage d'une sécheuse est la suivante :

A. Premièrement, examinez et conformez-vous aux « AVERTISSEMENTS RELATIFS À L'UTILISATION ET AU FONCTIONNEMENT » situés à l'intérieur de la couverture de ce manuel. Assurez-vous que l'alimentation électrique est correctement raccordée. Le câble blanc (neutre) doit être connecté à la borne N et le câble noir (ligne) à la borne L1 du bornier, au boîtier de contrôle à l'arrière de la sécheuse. La sécheuse DOIT être correctement mise à la terre.

B. Assurez-vous que toutes les conduites d'alimentation de gaz sont purgées d'air. Fermez le robinet de gaz principal et attendez cinq minutes avant de le rouvrir.

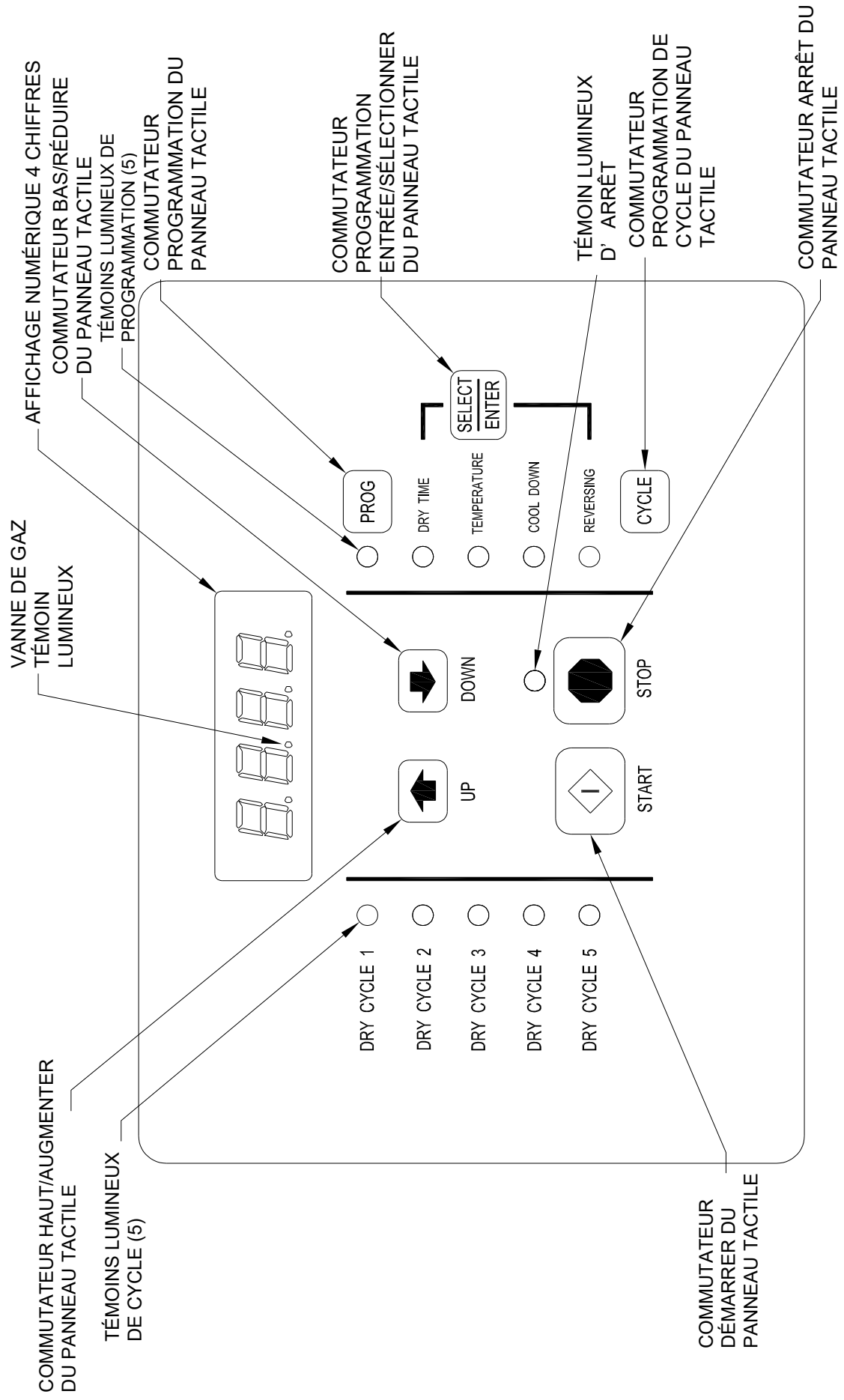
C. Ouvrez l'interrupteur électrique principal. La sécheuse doit être démarrée à l'aide des « INSTRUCTIONS DE FONCTIONNEMENT » qui se trouvent dans la suite de ce manuel.

D. Les sécheuses à gaz naturel et à gaz de pétrole liquéfié fonctionnent toutes deux de la même manière. Lorsque les contacts du relais du robinet de gaz sont fermés (ce qui indique un appel de chaleur), la commande d'allumage transistorisé alimente automatiquement en électricité le robinet de gaz redondant. Les étincelles continuent jusqu'à ce qu'une flamme soit détectée par le capteur, mais pas plus de 10 secondes. Si le gaz ne s'enflamme pas dans un délai de 10 secondes, le gaz se ferme pendant 15 secondes. La commande répète la tentative d'allumage deux fois de plus de la même manière. Si le gaz ne s'enflamme pas après trois tentatives, le robinet de gaz se ferme et le système se « verrouille ». Aucune tentative d'allumage supplémentaire n'est effectuée de manière automatique. Il est alors nécessaire de couper l'alimentation électrique du système d'allumage avant de retenter d'allumer les brûleurs. Pour cela, ouvrez la porte de la sécheuse, arrêtez la sécheuse pendant 15 secondes, fermez la porte, puis appuyez sur le  bouton « Start ». La sécheuse répète alors le cycle de tentative d'allumage.

## **ARRÊT DE LA SÉCHEUSE**

Pour mettre la sécheuse hors service, fermez le robinet de gaz principal et débranchez l'alimentation électrique de la sécheuse.

**IL EST CONSEILLÉ À L'INSTALLATEUR DE TESTER LE FONCTIONNEMENT DE LA SÉCHEUSE ET D'INFORMER L'UTILISATEUR AVANT DE QUITTER L'INSTALLATION.**



**Interface de commande de la sècheuse réversible**

## **PARAMÈTRES DE PROGRAMMATION PAR DÉFAUT D'USINE DE LA COMMANDE DE LA SÈCHEUSE RÉVERSIBLE**

CYCLE DE SÈCHAGE	DIRECTION DE LA SÈCHEUSE	TEMPS DE REFROIDISSEMENT (minutes)	TEMPS DE CYCLE TOTAL (minutes)	TEMPÉRATURE DE SÈCHAGE		CHARGE DE LA SÈCHEUSE
				(°F)	(°C)	
1	RÉV.	5	35	180	82	Serviettes, compresses, coton épais
2	RÉV.	2	20	170	77	Draps, tissus mélangés
3	RÉV.	5	25	180	82	Coton
4	NON-RÉV.	2	20	130	54	Tissus synthétiques
5	NON-RÉV.	2	25	175	79	Tissus mélangés

## **CODES DE DÉFAILLANCE DE LA SÈCHEUSE RÉVERSIBLE**

NUMÉRO DE DÉFAILLANCE	DESCRIPTION DE LA DÉFAILLANCE	ACTION
F1	Capteur de température court-circuité.	La sècheuse s'arrête et « F1 » clignote sur l'écran à 4 chiffres. Lorsque le court-circuit à l'entrée du capteur est retiré, « LOAD » s'affiche sur l'écran à 4 chiffres et le temps de séchage restant est réinitialisé.
F2	Capteur de température ouvert.	La sècheuse s'arrête et « F2 » clignote sur l'écran à 4 chiffres. Lorsqu'un bon capteur est raccordé à l'entrée du capteur, « LOAD » s'affiche sur l'écran à 4 chiffres et le temps de séchage restant est réinitialisé.
F3	EEPROM corrompu.	La sècheuse ne démarre pas et « F3 » s'affiche sur l'écran à 4 chiffres. Il faut couper et rebrancher l'alimentation de la sècheuse pour réinitialiser la commande. La défaillance ne devrait se produire que lors du démarrage d'un cycle de séchage.
F4	Défaillance de robinet de gaz ouvert.	La température de chauffage n'a pas augmenté de 1 °F en 5 minutes. « F4 » clignote sur l'écran et le cycle de séchage se termine sans appel de chaleur (activation du robinet de gaz). L'ouverture de la porte ou l'appui du commutateur STOP du panneau tactile réinitialise la défaillance et supprime le temps restant du cycle de séchage.
F5	Défaillance de température.	La température de séchage est supérieure d'au moins 25 °F à la température définie. « F5 » clignote sur l'écran à 4 chiffres et le cycle de séchage se termine sans appel de chaleur (activation du robinet de gaz). Il faut couper et rebrancher l'alimentation de la sècheuse pour réinitialiser la commande.



## **DESCRIPTION DU PANNEAU TACTILE**

### TÉMOINS LUMINEUX (DÉL)

#### Description

- Cycle (1 à 5)** Ces DÉL sont allumées fixes lorsqu'un cycle particulier est choisi en fonctionnement ou en programmation.
- Robinet de gaz** Cette DÉL fait partie de l'affichage numérique à 4 chiffres et s'allume fixe lors de la partie séchage d'un cycle lorsque le robinet de gaz n'a pas besoin d'être ouvert. Cette DÉL clignote lorsque le robinet de gaz doit être ouvert. Cette DÉL ne s'allume pas et ne clignote pas (éteinte) si le cycle est arrêté, terminé, en refroidissement ou annulé.
- Programmation** Ces DÉL sont allumées fixes lorsqu'elles sont sélectionnées durant la programmation de la commande de la sècheuse. La DÉL d'inversion reste également allumée durant le fonctionnement d'un cycle de séchage inversé.
- Stop** Cette DÉL est allumée fixe lorsque le bouton STOP est appuyé une fois ou lorsque la porte est ouverte durant le cycle de fonctionnement.

### COMMUTATEURS (Boutons-poussoirs)

#### Description



UP

#### **UP/INCREASE**



DOWN

#### **DOWN/DECREASE**



PROG

#### **PROGRAM**



SELECT  
ENTER

#### **SELECT/ENTER**



CYCLE

#### **CYCLE**



STOP

#### **STOP**



START

#### **START**

Ce commutateur du panneau tactile augmente le temps de séchage, le temps de refroidissement et la température de séchage par incréments. Il permet également de défiler vers le haut lors de la sélection d'un cycle de séchage ou de basculer entre le mode inversé et non inversé durant la programmation.

Ce commutateur du panneau tactile réduit le temps de séchage, le temps de refroidissement et la température de séchage par incréments. Il permet également de défiler vers le bas lors de la sélection d'un cycle de séchage ou de basculer entre le mode réversible et non réversible durant la programmation.

Ce commutateur du panneau tactile permet à la commande de la sècheuse de passer en mode de programmation permanente.

Ce commutateur du panneau tactile sélectionne l'une des trois parties variables du cycle de séchage (temps de séchage, température ou refroidissement) en les faisant défiler. Une fois l'une des parties variables du cycle de séchage sélectionnée et modifiée, ce commutateur du panneau tactile permet de valider la nouvelle valeur (modifiée) dans le programme du cycle de séchage.

Ce commutateur du panneau tactile permet à la commande de la sècheuse de passer en mode de programmation temporaire.

Ce commutateur du panneau tactile arrête la sècheuse durant un cycle de séchage sans effacer le cycle de séchage présent s'il est pressé une fois. S'il est pressé et relâché deux fois consécutives, le cycle de séchage présent est effacé.

Ce commutateur de panneau tactile démarre le fonctionnement d'un cycle de séchage s'il est pressé et relâché une fois. Appuyez longuement sur ce commutateur du panneau tactile pour afficher la température actuelle du capteur de température de la sècheuse tant qu'il est en position enfoncé.

## MESSAGES DE L’AFFICHAGE NUMÉRIQUE À 4 CHIFFRES

<u>Message</u>	<u>Description</u>
LOAD	Ce message s’affiche une fois un cycle de séchage terminé et la porte de chargement de la sècheuse ouverte ou lorsque le commutateur STOP du panneau tactile de la commande de la sècheuse est enfoncé et relâché deux fois.
donE	Ce message clignote immédiatement après la fin du cycle de séchage et continue de clignoter jusqu’à ce que le commutateur STOP du panneau tactile de la commande de la sècheuse soit enfoncé ou que la porte de chargement de la sècheuse soit ouverte.
Prog	Ce message s’affiche lors de l’entrée en mode de programmation permanente.
.15	Ce message s’affiche lorsque la sècheuse est dans la partie chauffage d’un cycle de séchage. Le point décimal clignote si la sortie du robinet de gaz est ouverte ou reste allumé fixe, si la sortie du robinet de gaz n’est pas ouverte. Le nombre représente le temps total restant dans le cycle de séchage (y compris le temps de refroidissement).
C02	Ce message s’affiche lorsque le temps de refroidissement du cycle de séchage est atteint. La lettre « C » représente la partie refroidissement (non-chauffage) du cycle de séchage. Le ou les nombres après la lettre « C » représentent le temps total restant dans le cycle de séchage.
F5	Ce message s’affiche en cas de défaillance de la sècheuse. La lettre « F » indique une défaillance et le numéro après la lettre « F » représente la défaillance particulière qui s’est produite. Cinq différentes défaillances peuvent s’afficher (F1 à F5).
rEv	Ce message s’affiche en mode programmation pour indiquer la fonction réversible durant le cycle de séchage.
nrEv	Ce message s’affiche en mode programmation pour indiquer la fonction non réversible durant le cycle de séchage.

## **INSTRUCTIONS D'UTILISATION**

Pour sécher une charge d'articles, vous devez choisir l'un des cinq cycles de séchage programmés. Chacun de ces cinq cycles de séchage peut être modifié de deux différentes manières selon votre charge. Veuillez consulter les sections « Programmation permanente de la commande de la sécheuse réversible » et « Programmation temporaire de la commande de la sécheuse réversible » de ce manuel.

Chaque cycle de séchage est composé de deux parties. La première partie est le temps de chauffage, durant laquelle le robinet de gaz s'allume et s'éteint selon la température définie dans le programme du cycle de séchage. La deuxième partie est le temps de refroidissement, qui suit la partie chauffage du cycle de séchage, et durant laquelle le cylindre continue de tourner, mais sans chauffage.

Il y a toujours au moins deux minutes de refroidissement pour chaque cycle de séchage. Le temps maximum de refroidissement est de 60 minutes, si la commande est dotée d'un point rouge autocollant ou de 15 minutes, si la commande ne comporte pas de point rouge autocollant.

Durant un cycle de séchage réversible, le tambour tourne dans une direction pendant une minute, ralentit pendant 4 secondes, puis tourne dans la direction opposée pendant une minute. Ce motif se répète pendant la durée du cycle de séchage. Si la commande est dotée d'un point rouge autocollant, le temps d'inversion peut être réglé à une ou deux minutes. Pour modifier le temps d'inversion, l'affichage numérique à 4 chiffres doit afficher « LOAd ». Appuyez ensuite longuement sur le commutateur **SELECT/ENTER** du panneau tactile, puis sur le commutateur **UP** du panneau tactile, pour régler le temps à deux minutes ou sur le commutateur **DOWN** du panneau tactile, pour régler le temps à une minute. La sonnerie retentit alors pour indiquer que la modification a été prise en compte. La modification est conservée même si l'alimentation est débranchée. La valeur par défaut d'usine est d'une minute.

Les cinq valeurs par défaut du cycle de séchage sont indiquées dans le tableau « PARAMÈTRES DE PROGRAMMATION PAR DÉFAUT D'USINE DE LA COMMANDE DE LA SÉCHEUSE RÉVERSIBLE » de ce manuel.

Pour améliorer les capacités de séchage de cette sécheuse, vous devez toujours séparer (démêler) les articles individuels de votre charge avant d'utiliser la sécheuse.

Dans les instructions étape par étape suivantes, le texte sur l'affichage numérique à 4 chiffres est indiqué entre guillemets et les commutateurs du panneau tactile de la commande de la sécheuse qui doivent être physiquement enfoncés seront en **MAJUSCULES ET CARACTÈRES GRAS**.

- 1) Placez votre charge démêlée dans le cylindre de la sécheuse et fermez la porte de chargement de la sécheuse. Notez que l'affichage numérique à 4 chiffres de la commande de la sécheuse doit maintenant afficher le mot « LOAd ». Si l'affichage est différent, enfoncez et relâchez deux fois le commutateur **STOP** du panneau tactile de la commande de la sécheuse.
- 2) Enfoncez et relâchez le commutateur **UP** ou **DOWN** du panneau tactile de la commande de la sécheuse pour sélectionner un cycle de séchage.
- 3) Une fois le cycle de séchage désiré sélectionné, enfoncez et relâchez le commutateur **START** du panneau tactile.

Une fois le commutateur **START** du panneau tactile de la commande de la sécheuse enfoncé, le cylindre de la sécheuse commence à tourner et le temps de cycle de séchage à deux chiffres ainsi qu'un point décimal s'affichent sur l'écran de la commande de la sécheuse.

Le temps affiché sur l'écran de la commande de la sécheuse compte à rebours jusqu'au temps de refroidissement programmé. À ce moment, l'affichage du point décimal et des deux chiffres change, et la lettre « C » et deux chiffres s'affichent.

La lettre « C » représente la portion refroidissement du cycle de séchage. Les deux chiffres représentent le temps restant dans le cycle de séchage. Le temps à deux chiffres affiché sur l'écran de la commande de la sécheuse compte à rebours jusqu'à zéro.

Lorsque le temps arrive à zéro, l'affichage de la commande de la sécheuse clignote avec le mot « donE » affiché et la tonalité de fin de cycle retentit.

À ce moment, le cycle anti-plis démarre automatiquement. Ce cycle attend deux minutes, si la porte n'est pas ouverte ou si le commutateur **STOP** du panneau tactile de la commande de la sécheuse n'est pas enfoncé, puis il tourne le cylindre pendant 10 secondes et s'arrête. Ces deux minutes de temps de veille et

10 secondes de rotation du tambour se répètent un total de 10 fois, après quoi le cycle anti-plis s'arrête. Le cylindre ne tourne plus avant le démarrage d'un nouveau cycle de séchage.

Durant le cycle anti-plis, le robinet de gaz n'est pas activé et aucune chaleur n'est appliquée à la charge. Le mot « donE » continue de clignoter jusqu'à la fin du cycle anti-plis. Lorsque la porte de chargement de la sécheuse est ouverte ou que le commutateur **STOP** du panneau tactile est enfoncé, le mot « donE » change et le mot « LOAd » s'affiche sur l'écran de la commande de la sécheuse. La sécheuse est alors prête pour un nouveau cycle de séchage.

Durant le cycle de séchage, enfoncer le commutateur **STOP** du panneau tactile de la commande de la sécheuse ou ouvrir la porte de chargement de la sécheuse arrête le cycle de séchage sans l'effacer. Si vous enfoncez le commutateur **STOP** du panneau tactile de la commande de la sécheuse, puis ouvrez la porte de chargement de la sécheuse, le cycle de séchage ne s'efface pas. En revanche, si vous ouvrez (ou ouvrez et fermez) la porte de chargement de la sécheuse, puis enfoncez le commutateur **STOP** du panneau tactile de la commande de la sécheuse, le cycle de séchage présent est effacé et le mot « LOAd » s'affiche sur l'écran de la commande de la sécheuse.

Deux cavaliers et un bouton-poussoir se trouvent du côté composant du circuit imprimé de la commande de la sécheuse.

Le cavalier en bas à droite du circuit imprimé contrôle le mode d'affichage et de fonctionnement de la commande en Celsius ou en Fahrenheit. Ce cavalier est étiqueté TEMP SELECT et possède trois broches. Les broches du bas et du milieu sont pour le mode Celsius et les broches du haut et du milieu sont pour le mode Fahrenheit, comme indiqué par les lettres C pour Celsius et F pour Fahrenheit.

L'autre cavalier situé en haut à droite du côté composant du circuit imprimé de la commande de la sécheuse est utilisé pour choisir le type de sécheuse, réversible ou non réversible. Ce cavalier est étiqueté REV et NON-REV. Il doit être en position réversible, ce qui correspond aux broches du haut et du milieu. Si le cavalier est en position non réversible, la sécheuse n'inverse pas la rotation.

Le bouton-poussoir situé en bas au milieu du côté composant du circuit imprimé de la commande de la sécheuse est utilisé pour réinitialiser les cinq paramètres par défaut d'usine des cycles de séchage. Il est étiqueté DEFAULT SETTINGS. Même si les cycles de séchage ont été modifiés en mode de programmation permanente, la procédure est réinitialisée aux paramètres par défaut d'usine lorsque ce bouton-poussoir est enfoncé. Ce bouton-poussoir doit être enfoncé et maintenu au moins trois secondes avec le circuit imprimé de la commande de la sécheuse alimenté.

## **PROGRAMMATION TEMPORAIRE DE LA COMMANDE DE LA SÉCHEUSE RÉVERSIBLE**

Le mode de programmation temporaire permet de modifier les paramètres de cycle de séchage enregistrés dans la commande de la sécheuse pendant un cycle de séchage complet. Une fois le cycle de séchage terminé, les paramètres par défaut qui existaient avant la modification temporaire sont restaurés. Le cycle de séchage temporaire peut être arrêté et effacé à n'importe quel moment durant le fonctionnement du cycle de séchage.

Pour effectuer une modification temporaire d'un cycle de la commande de la sécheuse, suivez la procédure ci-dessous. Le texte affiché sur l'écran numérique à 4 chiffres apparaîtra entre guillemets. Les commutateurs du panneau tactile de la commande de la sécheuse qui doivent être physiquement enfoncés seront en **MAJUSCULES ET CARACTÈRES GRAS**.

À tout moment, si vous souhaitez sortir du mode de programmation temporaire lors de la modification des paramètres de programme, vous pouvez enfoncer le commutateur **STOP** du panneau tactile de la commande de la sécheuse, si l'affichage numérique à 4 chiffres ne clignote pas. Le commutateur **SELECT/ENTER** du panneau tactile de la commande de la sécheuse peut être enfoncé et relâché pour entrer la valeur clignotante affichée sur l'écran numérique à 4 chiffres et quitter.

Si vous enfoncez et relâchez le commutateur **STOP** du panneau tactile de la commande de la sécheuse lorsque l'écran numérique à 4 chiffres ne clignote pas, les modifications temporaires du programme du cycle de séchage sont annulées. Les paramètres enregistrés du cycle de séchage qui existaient avant la modification temporaire sont restaurés.

À tout moment, si vous souhaitez démarrer le cycle de séchage temporaire en mode de programmation temporaire, enfoncez et relâchez le commutateur **START** du panneau tactile de la commande de la sécheuse si l'affichage numérique à 4 chiffres ne clignote pas. Vous pouvez enfoncez et relâcher le commutateur **SELECT/ENTER** du panneau tactile de la commande de la sécheuse pour entrer la valeur clignotante affichée sur l'écran numérique à 4 chiffres et démarrer le cycle de séchage temporaire. Si vous démarrez le cycle de séchage temporaire, l'écran numérique à 4 chiffres modifie le temps de séchage total et compte à rebours jusqu'à 0 tandis que le cycle de séchage progresse.

## **PROCÉDURE**

- 1) Assurez-vous que la sécheuse n'est pas en cycle de séchage. L'écran numérique à 4 chiffres de la commande de la sécheuse affiche « LOAd » lorsque la sécheuse n'est pas en cycle de séchage.
- 2) Enfoncez et relâchez le commutateur **UP** ou **DOWN** du panneau tactile de la commande de la sécheuse pour sélectionner le cycle de séchage que vous souhaitez modifier (cycle de séchage 1 à 5). La DÉL du cycle de séchage s'allume pour indiquer le cycle de séchage que vous sélectionnez. Si vous enfoncez longuement le commutateur **UP** ou **DOWN** du panneau tactile, la commande fait défiler les cinq cycles de séchage.
- 3) Enfoncez et relâchez le commutateur **CYCLE** du panneau tactile de la commande de la sécheuse une fois que vous avez sélectionné le cycle de séchage que vous souhaitez modifier. Après avoir enfoncé le commutateur **CYCLE** du panneau tactile, la DÉL de programmation et la DÉL de temps de séchage s'allument, la DÉL du cycle de séchage reste allumée et le temps de séchage total s'affiche sur l'écran numérique à 4 chiffres.
- 4) Enfoncez et relâchez le commutateur **UP** ou **DOWN** du panneau tactile de la commande de la sécheuse pour modifier le temps de cycle total. Une fois que le commutateur **UP** ou **DOWN** est enfoncé, la DÉL de temps de séchage et le temps de séchage total clignotent sur l'écran numérique à 4 chiffres. Si vous enfoncez longuement le commutateur **UP** ou **DOWN** du panneau tactile, vous augmentez (touche **UP**) ou réduisez (touche **DOWN**) les temps de séchage totaux disponibles par incréments (de 1 à 60 minutes). Ce temps de séchage affiché comprend le temps de refroidissement et le temps de chauffage. Pour ne pas modifier le temps de refroidissement, n'enfoncez pas les commutateurs **UP** ou **DOWN** du panneau tactile. Passez à l'étape suivante.
- 5) Enfoncez et relâchez le commutateur **SELECT/ENTER** du panneau tactile de la commande de la sécheuse. Une fois le commutateur **SELECT/ENTER** du panneau tactile enfoncé et relâché, la DÉL de temps de séchage s'éteint, la DÉL du cycle de séchage et la DÉL de programmation restent allumées, la DÉL de température s'allume et la température de séchage s'affiche sur l'écran numérique à 4 chiffres.
- 6) Enfoncez et relâchez le commutateur **UP** ou **DOWN** du panneau tactile de la commande de la sécheuse pour modifier la température de séchage. À chaque fois que vous enfoncez et relâchez les commutateurs **UP** ou **DOWN** du panneau tactile, la température augmente ou diminue, respectivement, de cinq degrés Fahrenheit ou trois degrés Celsius, selon la configuration de la commande de votre sécheuse. Une fois que le commutateur **UP** ou **DOWN** du panneau tactile est enfoncé, la DÉL de température et la température de séchage clignotent sur l'écran numérique à 4 chiffres. Si vous enfoncez longuement le commutateur **UP** ou **DOWN** du panneau tactile, vous augmentez (touche **UP**) ou réduisez (touche **DOWN**) les températures de séchage disponibles par incréments (de 105 à 195 °F ou 41 à 90 °C). Si vous ne souhaitez pas modifier la température de séchage, n'enfoncez pas les commutateurs **UP** ou **DOWN** du panneau tactile. Passez à l'étape suivante
- 7) Enfoncez et relâchez le commutateur **SELECT/ENTER** du panneau tactile de la commande de la sécheuse. Une fois le commutateur **SELECT/ENTER** du panneau tactile enfoncé et relâché, la DÉL de température s'éteint, la DÉL de cycle de séchage et la DÉL de programmation restent allumées, la DÉL de refroidissement s'allume et le temps de refroidissement s'affiche sur l'écran numérique à 4 chiffres.
- 8) Enfoncez et relâchez le commutateur **UP** ou **DOWN** du panneau tactile de la commande de la sécheuse pour modifier le temps de refroidissement. Une fois que le commutateur **UP** ou **DOWN** du panneau tactile est enfoncé, la DÉL de temps de refroidissement et le temps de refroidissement clignotent sur l'écran numérique à 4 chiffres. Si vous enfoncez longuement les commutateurs **UP** ou **DOWN** du panneau tactile, vous augmentez (touche **UP**) ou réduisez (touche **DOWN**) le temps de refroidissement disponible par incréments (de 2 à 60 minutes si la commande est dotée d'un point rouge autocollant ou de 2 à 15 minutes, si la commande ne comporte pas de point rouge autocollant). Pour ne pas modifier le temps de

refroidissement, n'enfoncez pas les commutateurs **UP** ou **DOWN** du panneau tactile. Passez à l'étape suivante.

- 9) Enfoncez et relâchez le commutateur **SELECT/ENTER** du panneau tactile de la commande de la sécheuse. Une fois le commutateur **SELECT/ENTER** du panneau tactile enfoncé et relâché, la DÉL de refroidissement s'éteint, la DÉL de cycle de séchage et la DÉL de programmation restent allumées, la DÉL d'inversion s'allume et le message « rEv » (mode réversible) ou « nrEv » (mode non réversible) s'affiche sur l'écran numérique à 4 chiffres.
- 13) Enfoncez et relâchez le commutateur **UP** ou **DOWN** du panneau tactile pour basculer le mode de fonctionnement de réversible à non réversible. Une fois que le commutateur **UP** ou **DOWN** du panneau tactile est enfoncé, la DÉL d'inversion et le message « rEv » (mode réversible) ou « nrEv » (mode non réversible) clignotent sur l'écran numérique à 4 chiffres. Pour ne pas modifier le mode de fonctionnement réversible ou non réversible, n'enfoncez pas les commutateurs **UP** ou **DOWN** du panneau tactile. Passez à l'étape suivante.
- 14) Enfoncez et relâchez le commutateur **SELECT/ENTER** du panneau tactile de la commande de la sécheuse. Une fois le commutateur **SELECT/ENTER** du panneau tactile enfoncé et relâché, la DÉL de programmation s'éteint, la DÉL d'inversion et la DÉL de cycle de séchage restent allumées et le message clignotant réversible (rEv) ou non réversible (nrEv) sur l'écran numérique à 4 chiffres arrêtent de clignoter et restent fixes.
- 15) À cette étape, vous avez deux choix :
  - a) Vous pouvez lancer le cycle de séchage modifié en enfonçant et relâchant le commutateur **START** du panneau tactile de la commande de la sécheuse. Si vous démarrez le cycle modifié, le temps de séchage total s'affiche sur l'écran numérique à 4 chiffres et compte à rebours jusqu'à 0 tandis que le cycle de séchage progresse.
  - b) Vous pouvez effacer le cycle de séchage modifié en enfonçant et relâchant le commutateur **STOP** du panneau tactile. Si vous choisissez d'effacer le cycle de séchage modifié, l'écran numérique à 4 chiffres change et affiche « LOAd ».

## **EXEMPLE DE PROGRAMMATION TEMPORAIRE DE LA COMMANDE DE LA SÉCHEUSE RÉVERSIBLE**

EXIGENCES : Sécher une charge en mode réversible avec 40 minutes de chauffage à 185 °F et deux minutes de refroidissement.

La procédure suivante vous montrera comment modifier temporairement le cycle de séchage 5 existant pour un cycle de séchage. Elle suppose que les valeurs par défaut d'usine n'ont pas subi de modification permanente. Si elles ont été modifiées, les étapes de cette procédure seront identiques, mais les valeurs affichées seront différentes. Le nombre de fois que les commutateurs **UP** ou **DOWN** du panneau tactile de la commande de la sécheuse sont enfoncés et relâchés pourra aussi être différent.

Si vous souhaitez que les modifications soient permanentes, allez à la section « PROGRAMMATION PERMANENTE DE LA COMMANDE DE LA SÉCHEUSE RÉVERSIBLE » de ce manuel.

### **PROCÉDURE :**

- 1) Après avoir placé la charge dans la sécheuse, enfoncez et relâchez le commutateur **UP** ou **DOWN** du panneau tactile de la commande de la sécheuse jusqu'à ce que la DÉL du cycle de séchage 5 s'allume.
- 2) Enfoncez et relâchez le commutateur **CYCLE** du panneau tactile de la commande de la sécheuse. Vous verrez le nombre « 25 » s'afficher sur l'écran de la commande de la sécheuse. La DÉL de programmation et la DÉL du temps de séchage s'allument.
- 3) Enfoncez et relâchez le commutateur **UP** du panneau tactile de la commande de la sécheuse 17 fois jusqu'à voir le nombre « 42 » s'afficher. La première fois que le commutateur **UP** du panneau tactile est enfoncé, le nombre « 26 » clignote sur l'écran de la commande de la sécheuse. Chaque nombre suivant clignote également.
- 4) Enfoncez et relâchez le commutateur **SELECT/ENTER** du panneau tactile de la commande de la sécheuse. Le nombre « 42 » arrête de clignoter, la DÉL de temps de séchage s'éteint, l'écran de la commande de la

sécheuse affiche « 175 », la DÉL de température s'allume et la DÉL de programmation et la DÉL du cycle de séchage 5 restent allumées.

- 5) Enfoncez et relâchez deux fois le commutateur **UP** du panneau tactile de la commande de la sécheuse jusqu'à voir le nombre « 185 » s'afficher. Chaque fois que le commutateur **UP** du panneau tactile est enfoncé, la température augmente de cinq degrés.
- 6) Enfoncez et relâchez le commutateur **SELECT/ENTER** du panneau tactile de la commande de la sécheuse. Le nombre « 185 » arrête de clignoter, la DÉL de température s'éteint, l'écran de la commande de la sécheuse affiche le nombre « 2 », la DÉL de refroidissement s'allume et la DÉL de programmation et la DÉL du cycle de séchage 5 restent allumées.
- 10) Enfoncez et relâchez le commutateur **SELECT/ENTER** du panneau tactile de la commande de la sécheuse, car le temps de refroidissement désiré est de deux minutes. Après avoir enfoncé le commutateur **SELECT/ENTER** du panneau tactile, la DÉL de refroidissement s'éteint, l'écran de la commande de la sécheuse affiche « nrEv », la DÉL d'inversion s'allume et la DÉL de programmation et la DÉL du cycle de séchage 5 restent allumées.
- 11) Enfoncez et relâchez une fois le commutateur **UP** ou **DOWN** du panneau tactile de la commande de la sécheuse. Le texte « rEv » clignote sur l'écran de la commande de la sécheuse et la DÉL d'inversion commence à clignoter. Chaque fois que le commutateur **UP** ou **DOWN** du panneau tactile est enfoncé, le mode bascule de réversible (« rEv ») à non réversible (« nrEv »).
- 12) Enfoncez et relâchez le commutateur **SELECT/ENTER** du panneau tactile de la commande de la sécheuse. Une fois que le commutateur **SELECT/ENTER** du panneau tactile est enfoncé et relâché, la DÉL de programmation et la DÉL d'inversion s'éteignent, la DÉL du cycle de séchage 5 reste allumée et le message « rEv » arrête de clignoter et reste allumé fixe.
- 13) Vous êtes maintenant prêt à démarrer le nouveau cycle de séchage. Ce nouveau cycle de séchage sera en vigueur pour un cycle de séchage uniquement. Une fois le cycle terminé, ou si le commutateur **STOP** du panneau tactile de la commande de la sécheuse est enfoncé et relâché deux fois consécutives, le programme du cycle 5 revient aux paramètres par défaut d'usine.

Si vous enfoncez le commutateur **START** du panneau tactile de la commande de la sécheuse, l'écran de la commande passe de « rEv » au nombre « 42 » et le cycle de séchage 5 démarre.

## **PROGRAMMATION PERMANENTE DE LA COMMANDE DE LA SÉCHEUSE RÉVERSIBLE**

Le mode de programmation permanente permet de modifier les paramètres de cycle de séchage enregistrés dans la commande de la sécheuse jusqu'à ce que l'opérateur les modifie à nouveau. Il est possible de restaurer les paramètres par défaut d'usine dans la commande de la sécheuse en enfonçant le bouton-poussoir des paramètres par défaut à l'arrière (côté composants) du circuit imprimé de la commande de la sécheuse. Il est étiqueté et situé en bas au milieu du circuit imprimé, lorsque vous regardez le côté composants du circuit. Vous devez appuyer dessus et le maintenir enfoncé pendant au moins trois secondes.

Pour effectuer une modification permanente d'un cycle de la commande de la sécheuse, suivez la procédure ci-dessous. Le texte affiché sur l'écran numérique à 4 chiffres apparaîtra entre guillemets. Les commutateurs du panneau tactile de la commande de la sécheuse qui doivent être physiquement enfoncés seront en **MAJUSCULES ET CARACTÈRES GRAS**.

À tout moment, si vous souhaitez sortir du mode de programmation permanente lors de la modification des paramètres, vous pouvez enfoncer le commutateur **STOP** du panneau tactile de la commande de la sécheuse si l'affichage numérique à 4 chiffres ne clignote pas. Vous pouvez enfoncer et relâcher le commutateur **SELECT/ENTER** du panneau tactile de la commande de la sécheuse pour entrer la valeur clignotante affichée sur l'écran numérique à 4 chiffres et quitter.

## PROCÉDURE

- 1) Assurez-vous que la sécheuse n'est pas en cycle de séchage. L'écran numérique à 4 chiffres de la commande de la sécheuse affiche « LOAd » lorsque la sécheuse n'est pas en cycle de séchage.
- 2) Enfoncez et relâchez le commutateur **PROG** du panneau tactile de la commande de la sécheuse.
- 3) Enfoncez et relâchez le commutateur **UP** du panneau tactile de la commande de la sécheuse. La DÉL de programmation s'allume et l'écran numérique à 4 chiffres de la commande de la sécheuse affiche « Prog ».
- 4) Enfoncez et relâchez le commutateur **UP** ou **DOWN** du panneau tactile pour sélectionner le cycle de séchage que vous souhaitez modifier (cycle de séchage 1 à 5). La DÉL de cycle de séchage s'allume pour indiquer le cycle de séchage que vous sélectionnez. Si vous enfoncez longuement le commutateur **UP** ou **DOWN** du panneau tactile, la commande fait défiler les cinq cycles de séchage.
- 5) Enfoncez et relâchez le commutateur **SELECT/ENTER** du panneau tactile une fois que vous avez sélectionné le cycle de séchage que vous souhaitez modifier. Après avoir enfoncé le commutateur **SELECT/ENTER** du panneau tactile, la DÉL du temps de séchage s'allume, la DÉL de temps de cycle et la DÉL de programmation restent allumées et le temps de séchage total s'affiche sur l'écran numérique à 4 chiffres.
- 6) Enfoncez et relâchez le commutateur **UP** ou **DOWN** du panneau tactile de la commande de la sécheuse pour modifier le temps de séchage total. Une fois que le commutateur **UP** ou **DOWN** du panneau tactile est enfoncé, la DÉL de temps de séchage et le temps de séchage total clignotent sur l'écran numérique à 4 chiffres. Si vous enfoncez longuement le commutateur **UP** ou **DOWN** du panneau tactile, vous augmenterez (touche **UP**) ou réduirez (touche **DOWN**) les temps de séchage totaux disponibles par incréments (de 1 à 60 minutes). Le temps de séchage affiché sur l'écran de la commande comprend le temps de refroidissement et le temps de chauffage. Pour ne pas modifier le temps de séchage total, n'enfoncez pas les commutateurs **UP** ou **DOWN** du panneau tactile. Passez à l'étape suivante.
- 7) Enfoncez et relâchez le commutateur **SELECT/ENTER** du panneau tactile de la commande de la sécheuse. Une fois le commutateur **SELECT/ENTER** du panneau tactile enfoncé et relâché, la DÉL de temps de séchage s'éteint, la DÉL de cycle de séchage et la DÉL de programmation restent allumées, la DÉL de température s'allume et la température de séchage s'affiche sur l'écran numérique à 4 chiffres.
- 8) Enfoncez et relâchez le commutateur **UP** ou **DOWN** du panneau tactile de la commande de la sécheuse pour modifier la température de séchage. À chaque fois que vous enfoncez et relâchez les commutateurs **UP** ou **DOWN** du panneau tactile, la température augmente ou diminue, respectivement, cinq degrés Fahrenheit ou trois degrés Celsius, selon la configuration de la commande de votre sécheuse. Une fois que le commutateur **UP** ou **DOWN** du panneau tactile est enfoncé, la DÉL de température et la température de séchage clignotent sur l'écran numérique à 4 chiffres. Si vous enfoncez longuement le commutateur **UP** ou **DOWN** du panneau tactile, vous augmenterez (touche **UP**) ou réduirez (touche **DOWN**) les températures de séchage disponibles par incréments (de 105 à 195 °F ou 41 à 90 °C). Si vous ne souhaitez pas modifier la température de séchage, n'enfoncez pas les commutateurs **UP** ou **DOWN** du panneau tactile. Passez à l'étape suivante.
- 9) Enfoncez et relâchez le commutateur **SELECT/ENTER** du panneau tactile de la commande de la sécheuse. Une fois le commutateur **SELECT/ENTER** du panneau tactile enfoncé et relâché, la DÉL de température s'éteint, la DÉL de cycle de séchage et la DÉL de programmation restent allumées, la DÉL de refroidissement s'allume et le temps de refroidissement s'affiche sur l'écran numérique à 4 chiffres.
- 10) Enfoncez et relâchez le commutateur **UP** ou **DOWN** du panneau tactile de la commande de la sécheuse pour modifier le temps de refroidissement. Une fois que le commutateur **UP** ou **DOWN** du panneau tactile est enfoncé, la DÉL de refroidissement et le temps de refroidissement clignotent sur l'écran numérique à 4 chiffres. Si vous enfoncez longuement les commutateurs **UP** ou **DOWN** du panneau tactile, vous augmenterez (touche **UP**) ou réduirez (touche **DOWN**) le temps de refroidissement disponible par incréments (de 2 à 60 minutes si la commande est dotée d'un point rouge autocollant ou de 2 à 15 minutes, si la commande ne comporte pas de point rouge autocollant). Pour ne pas modifier le temps de refroidissement, n'enfoncez pas les commutateurs **UP** ou **DOWN** du panneau tactile. Passez à l'étape suivante.
- 11) Enfoncez et relâchez le commutateur **SELECT/ENTER** du panneau tactile de la commande de la sécheuse. Une fois le commutateur **SELECT/ENTER** du panneau tactile enfoncé et relâché, la DÉL de refroidissement



s'éteint, la DÉL de cycle de séchage et la DÉL de programmation restent allumées, la DÉL d'inversion s'allume et le message « rEv » (mode réversible) ou « nrEv » (mode non réversible) s'affiche sur l'écran numérique à 4 chiffres.

- 12) Enfoncez et relâchez le commutateur **UP** ou **DOWN** du panneau tactile de la commande de la sécheuse pour basculer du mode de fonctionnement réversible au mode non réversible. Une fois que le commutateur **UP** ou **DOWN** du panneau tactile est enfoncé, la DÉL d'inversion et le message « rEv » (mode réversible) ou « nrEv » (mode non réversible) clignotent sur l'écran numérique à 4 chiffres. Pour ne pas modifier le mode de fonctionnement réversible ou non réversible, n'enfoncez pas les commutateurs **UP** ou **DOWN** du panneau tactile. Passez à l'étape suivante.
- 13) Enfoncez et relâchez le commutateur **SELECT/ENTER** du panneau tactile de la commande de la sécheuse. Une fois le commutateur **SELECT/ENTER** du panneau tactile enfoncé et relâché, la DÉL d'inversion s'éteint, la DÉL de cycle de séchage et la DÉL de programmation restent allumées et l'écran numérique à 4 chiffres change et affiche « Prog ».
- 14) Enfoncez et relâchez le commutateur **STOP** du panneau tactile de la commande de la sécheuse pour enregistrer le programme de cycle et quitter le mode de programmation. Si vous souhaitez modifier à nouveau le même programme de cycle de séchage, enfoncez le commutateur **SELECT/ENTER** du panneau tactile et passez à l'étape 6 de cette procédure. Si vous souhaitez modifier un autre programme de cycle de séchage, allez à l'étape 4 de cette procédure et continuez.
- 15) Si vous avez enfoncé le commutateur **STOP** du panneau tactile pour quitter le mode de programmation, vous pouvez maintenant démarrer le cycle de séchage en enfonçant le commutateur **START** du panneau tactile.

## **EXEMPLE DE PROGRAMMATION PERMANENTE DE LA COMMANDE DE LA SÈCHEUSE RÉVERSIBLE**

EXIGENCES : Sécher une charge en mode réversible avec 50 minutes de chauffage à 195°F et trois minutes de refroidissement.

La procédure suivante vous montrera comment effectuer une modification permanente du cycle de séchage 5 existant pour un cycle de séchage. Elle suppose que les valeurs par défaut d'usine n'ont pas subi de modification permanente. Si elles ont été modifiées, les étapes de cette procédure seront identiques, mais les valeurs affichées seront différentes. Le nombre de fois que les commutateurs **UP** ou **DOWN** du panneau tactile de la commande de la sécheuse doivent être enfoncés et relâchés pourra aussi être différent.

Si vous souhaitez que les modifications soient temporaires (pour un seul cycle de séchage), allez à la section « PROGRAMMATION TEMPORAIRE DE LA COMMANDE DE LA SÈCHEUSE RÉVERSIBLE » de ce manuel.

### **PROCÉDURE :**

- 1) Après avoir placé la charge dans la sécheuse, enfoncez et relâchez le commutateur **UP** ou **DOWN** du panneau tactile de la commande de la sécheuse jusqu'à ce que la DÉL du cycle de séchage 5 s'allume.
- 2) Enfoncez et relâchez le commutateur **PROG** du panneau tactile de la commande de la sécheuse. L'affichage de la commande de la sécheuse ne change pas.
- 3) Enfoncez et relâchez immédiatement le commutateur **UP** du panneau tactile de la commande de la sécheuse. L'affichage de la commande passe de « LOAd » à « Prog ». Vous êtes maintenant entré en mode de programmation permanente. La DÉL de temps de séchage reste allumée et la DÉL de programmation s'allume.
- 4) Enfoncez et relâchez une fois le commutateur **SELECT/ENTER** du panneau tactile. La DÉL du cycle de séchage 5 et la DÉL de programmation restent allumées, la DÉL du temps de séchage s'allume et la commande de la sécheuse affiche le nombre « 25 ».
- 5) Enfoncez le commutateur **UP** du panneau tactile 28 fois jusqu'à ce que la commande de la sécheuse affiche le nombre « 53 ».
- 6) Enfoncez et relâchez une fois le commutateur **SELECT/ENTER** du panneau tactile de la commande de la sécheuse. La DÉL du cycle de séchage 5 et la DÉL de programmation restent allumées, la DÉL du temps de séchage s'éteint, la DÉL de température s'allume et la commande de la sécheuse affiche le nombre « 175 ».

- 7) Enfoncez et relâchez le commutateur **UP** du panneau tactile quatre fois jusqu'à ce que la commande de la sécheuse affiche le nombre « 195 ».
- 8) Enfoncez et relâchez le commutateur **SELECT/ENTER** du panneau tactile de la commande de la sécheuse. La DÉL du cycle de séchage 5 et la DÉL de programmation restent allumées, la DÉL de température s'éteint, la DÉL de refroidissement s'allume et la commande de la sécheuse affiche le nombre « 5 ».
- 9) Enfoncez et relâchez une fois le commutateur **UP** du panneau tactile jusqu'à ce que la commande de la sécheuse affiche le nombre « 3 ».
- 10) Enfoncez et relâchez le commutateur **SELECT/ENTER** du panneau tactile de la commande de la sécheuse. La DÉL du cycle de séchage 5 et la DÉL de programmation restent allumées, la DÉL de refroidissement s'éteint, la DÉL d'inversion s'allume et la commande de la sécheuse affiche le message « nrEv ».
- 11) Enfoncez et relâchez une fois le commutateur **UP** ou **DOWN** du panneau tactile de la commande de la sécheuse. Le texte « rEv » s'affiche sur l'écran de la commande de la sécheuse et la DÉL d'inversion commence à clignoter. Chaque fois que le commutateur **UP** ou **DOWN** du panneau tactile est enfoncé, le mode bascule de réversible (« rEv ») à non réversible (« nrEv »).
- 12) Enfoncez et relâchez le commutateur **SELECT/ENTER** du panneau tactile de la commande de la sécheuse. Une fois le commutateur **SELECT/ENTER** du panneau tactile enfoncé et relâché, la DÉL d'inversion s'éteint, la DÉL de programmation et la DÉL du cycle de séchage 5 restent allumées et l'écran numérique à 4 chiffres change de « rEv » à « Prog ».
- 13) Enfoncez et relâchez le commutateur **STOP** du panneau tactile de la commande de la sécheuse. La DÉL du cycle de séchage 5 reste allumée, la DÉL de programmation s'éteint et l'écran de la commande de la sécheuse change et affiche le texte « LOAd ».

La sécheuse est maintenant prête à démarrer le nouveau cycle de séchage modifié. Ce programme modifié du cycle de séchage 5 reste dans la mémoire de la commande de la sécheuse jusqu'à ce que le bouton-poussoir de paramètres par défaut soit enfoncé. Ce bouton-poussoir de paramètres par défaut est situé en bas au milieu du côté composants du circuit imprimé de la commande de la sécheuse.

## **ENTRETIEN DE LA SÈCHEUSE**

**MISE EN GARDE** : Au moment de l'entretien des commandes, étiquetez tous les fils avant de les débrancher. Des erreurs de câblage peuvent entraîner un fonctionnement inadéquat et dangereux. Assurez-vous que l'appareil fonctionne adéquatement une fois l'entretien terminé.

**ATTENTION** : Au moment de l'entretien des commandes, étiquetez tous les fils avant de les débrancher. Des erreurs de câblage peuvent entraîner un fonctionnement inadéquat et dangereux. S'assurer que l'appareil fonctionne adéquatement une fois l'entretien terminé.

Si l'un des symptômes suivants se produit sur cette sècheuse, vérifiez les remèdes suggérés énumérés ci-dessous. Si toutes les causes probables ont été éliminées et que le symptôme persiste, communiquez avec votre agent Dexter local pour obtenir une assistance de dépannage supplémentaire. Consultez les renseignements de contact dans la section Entretien préventif. Les manuels de pièces et de service de Dexter sont également disponibles pour une assistance de dépannage supplémentaire.

<b>Symptôme</b>	<b>Cause probable</b>	<b>Remède suggéré</b>
Le tambour ne tourne pas	Porte de chargement	Vérifiez que la porte de chargement est complètement fermée
	Porte du compartiment à charpie	Vérifiez que la porte du compartiment à charpie est complètement fermée
	Courroies d'entraînement	Vérifiez que les courroies d'entraînement ne sont pas excessivement usées. Remplacez-les si nécessaire
	Défaut de l'entraînement à fréquence variable	Communiquez avec un agent Dexter pour obtenir une assistance
Le tambour tourne, mais aucune flamme de brûleur n'est présente	Robinet de gaz	Assurez-vous que le robinet de gaz est ouvert
	Module d'allumage	Suivez la procédure de vérification du cycle d'allumage énumérée dans la section Allumage de la sècheuse de ce manuel
Séchage lent	Commande	Vérifiez que le bon paramètre de température est sélectionné
	Filtre à charpie	Nettoyez le filtre à charpie
	Restrictions du débit d'air/de l'air d'appoint	Suivez les directives d'installation pour la contre-pression statique et l'air d'appoint
	Évacuation	Vérifiez que l'évacuation est exempte d'obstructions, suivez les directives d'installation
Code de défaillance F1 ou F2 affiché sur la commande	Détecteur de température	Voir la section Codes de défaillance de la sècheuse de ce manuel ou communiquer avec un agent Dexter pour obtenir une assistance
Code de défaillance F3 affiché sur la commande	Erreur liée à la commande	Voir la section Codes de défaillance de la sècheuse de ce manuel ou communiquer avec un agent Dexter pour obtenir une assistance
Code de défaillance F4 ou F5 affiché sur la commande	Erreur de température de séchage	Voir la section Codes de défaillance de la sècheuse de ce manuel ou communiquer avec un agent Dexter pour obtenir une assistance

# **INSTRUCTIONS D'ENTRETIEN PRÉVENTIF**

## **CHAQUE JOUR**

1. Nettoyez le filtre à charpie. Utilisez une brosse souple si nécessaire.
2. Vérifiez que le filtre à charpie est exempt de déchirures. Remplacez-le si nécessaire.
3. Éliminez les charpies du compartiment du filtre à charpie.

## **CHAQUE MOIS**

1. Retirez l'accumulation de charpie des tulipes d'extrémité des moteurs.
2. Éliminez l'accumulation de charpie de la zone de commande avant.
3. Éliminez l'accumulation de charpie et de saleté du dessus de la sécheuse et de toutes les zones supérieures, inférieures et autour des brûleurs et du carter du brûleur. Tout manquement à la propreté de ces zones de la sécheuse peut entraîner une accumulation de charpie qui crée un risque de feu.

## **CHAQUE TRIMESTRE**

1. Vérifiez que les courroies ne sont pas desserrées, usées ni effilochées.
2. Vérifiez que le joint de la porte en verre n'est pas excessivement usé.
3. Vérifiez que toutes les attaches maintenant les pièces sont bien serrées au canal de support.
4. Vérifiez que toutes les vis sont bien serrées.
5. Vérifiez que les aubes du moteur sont bien fixées au moyeu.
6. Retirez l'assemblage du commutateur de débit d'air et vérifiez que les boulons traversants du tambour sont bien serrés.
7. Graissez les goupilles de pivot et les bras de tension au niveau de leurs points de contact (le cas échéant).

## **DEUX FOIS PAR AN**

1. Retirez et nettoyez les brûleurs principaux.
2. Retirez tous les trous et vérifiez l'absence de saleté et d'obstructions.
3. Éliminez toute accumulation de charpie. Retirez le panneau avant et le boîtier du filtre à charpie et éliminez l'accumulation de charpie.
4. Appliquez quelques gouttes d'huile à chaque entretoise de l'assemblage du bras de tension (le cas échéant).

## **CHAQUE ANNÉE**

1. Vérifiez que les roulements de la poulie intermédiaire ne sont pas usés.
2. Vérifiez et éliminez toute accumulation de charpie du système d'évacuation.
3. Graissez les roulements et l'arbre de la poulie d'entraînement intermédiaire. Utilisez un pistolet graisseur Alemite et de la graisse Molykote BR2-S (le cas échéant).

## **PIÈCES D'ENTRETIEN**

## **NUMÉRO DE PIÈCE**

	<b>T-50</b>	<b>T-80</b>	<b>T-120</b>	<b>T-170</b>
COURROIE D'ENTRAÎNEMENT, MOTEUR	--	9040-076-003	9040-076-008	9040-076-008
COURROIE D'ENTRAÎNEMENT, TAMBOUR	9040-076-004	9040-073-012	9040-076-005	9040-082-001
FILTRE À CHARPIE	9822-026-001	9822-031-002	9822-033-001	9822-034-001

Pour obtenir des renseignements relatifs à l'entretien et aux pièces, communiquez avec votre agent Dexter local. Si aucun agent Dexter n'est disponible, communiquez directement avec **Dexter Laundry, Inc.** par l'un des moyens énumérés ci-dessous :

Adresse postale : 2211 West Grimes Avenue      Téléphone : 1-800-524-2954  
Fairfield, IA 52556  
États-Unis

Site Web : [www.dexter.com](http://www.dexter.com)