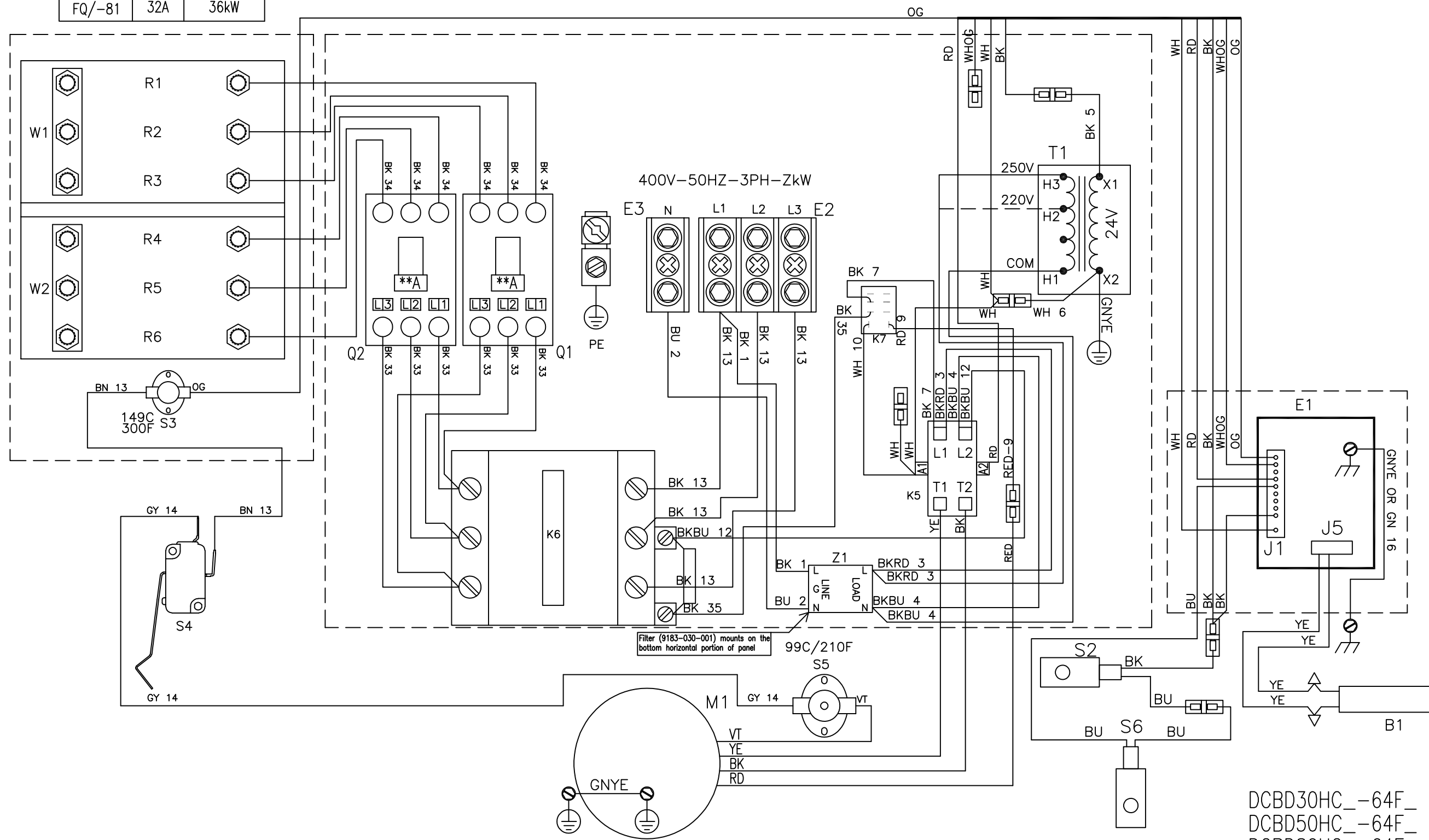


DCBD30HC\_\_-64F\_  
DCBD50HC\_\_-64F\_  
DCBD80HC\_\_-64F\_  
DN0030E\_\_-\_\_CB\_X  
DN0050E\_\_-\_\_CB\_X  
DN0080E\_\_-\_\_CB\_X

ELECTRICAL PROPERTIES		
MODEL	**A	Z kW
FN/-79	25A	22kW
FP/-80	32A	30kW
FQ/-81	32A	36kW



Filter (9183-030-001) mounts on the bottom horizontal portion of panel

DCBD30HC\_-64F\_  
 DCBD50HC\_-64F\_  
 DCBD80HC\_-64F\_

DN0030E\_-\_\_CB\_X  
 DN0050E\_-\_\_CB\_X  
 DN0080E\_-\_\_CB\_X