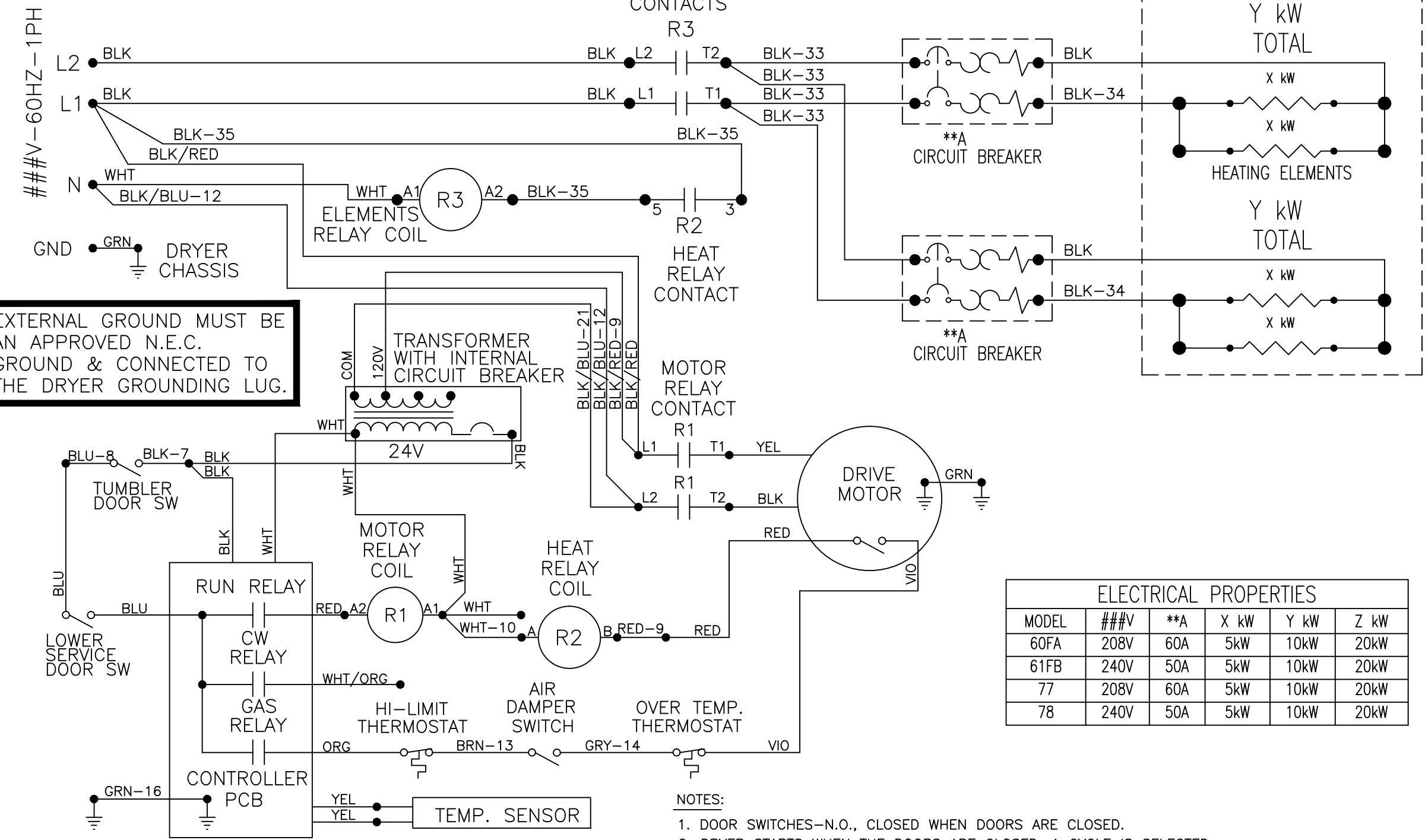


FOR 240V-60HZ-1PH ONLY:
L3 MUST BE HIGH LEG OF DELTA POWER SOURCE.
NEUTRAL MUST BE EARTHED MID POINT OF PHASE.

EXTERNAL GROUND MUST BE AN APPROVED N.E.C. GROUND & CONNECTED TO THE DRYER GROUNDING LUG.



TOTAL DRYER WATTAGE = Z kW

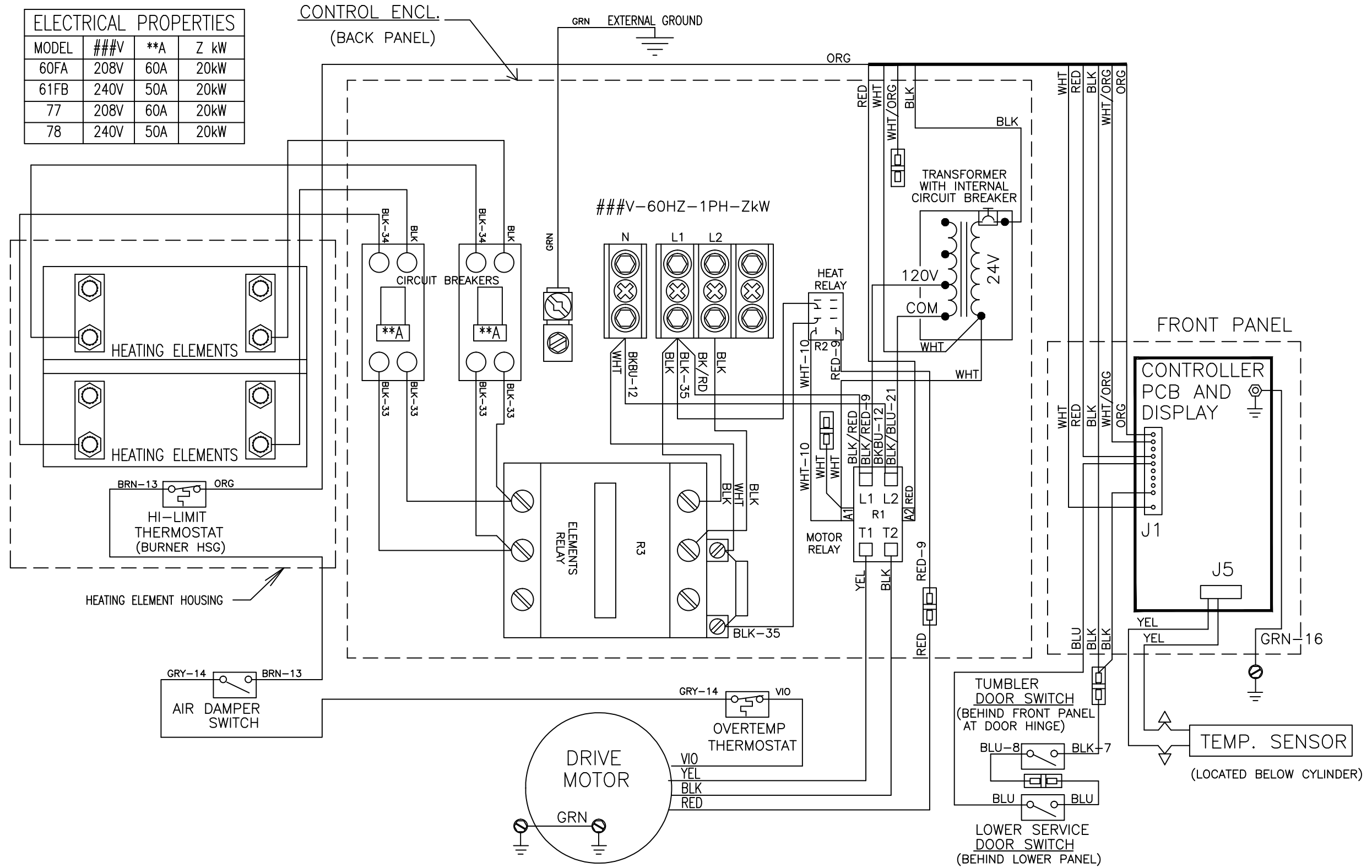
Y kW TOTAL

Y kW TOTAL

ELECTRICAL PROPERTIES					
MODEL	###V	**A	X kW	Y kW	Z kW
60FA	208V	60A	5kW	10kW	20kW
61FB	240V	50A	5kW	10kW	20kW
77	208V	60A	5kW	10kW	20kW
78	240V	50A	5kW	10kW	20kW

- NOTES:
1. DOOR SWITCHES—N.O., CLOSED WHEN DOORS ARE CLOSED.
 2. DRYER STARTS WHEN THE DOORS ARE CLOSED, A CYCLE IS SELECTED, AND THE START BUTTON IS PUSHED. THERE IS AN AUTOMATIC COOL DOWN AT THE END OF THE CYCLE.
 3. CENTRIFUGAL SWITCH—N.O., CLOSES WHEN MOTOR IS UP TO SPEED.
 4. REFER TO OWNER'S MANUAL FOR DESCRIPTION OF OPERATION AND REQUIREMENTS FOR HEATING CIRCUIT.

ELECTRICAL PROPERTIES			
MODEL	###V	**A	Z kW
60FA	208V	60A	20kW
61FB	240V	50A	20kW
77	208V	60A	20kW
78	240V	50A	20kW



9506-478-001D

WIRING DIAGRAM

DCBD30HC_-(60FA/61FB)
DN0030E_-(77/78)_B_X