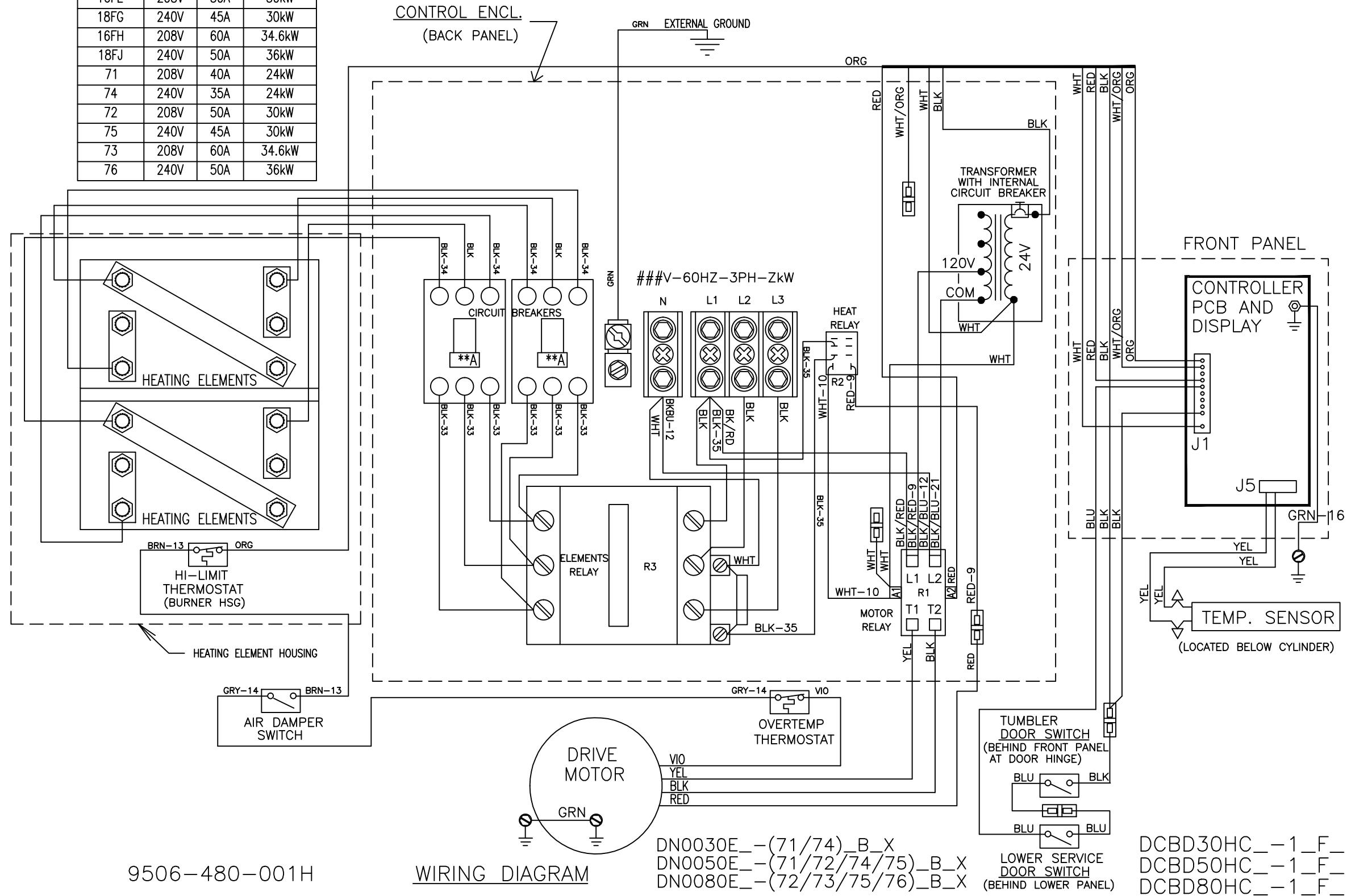


ELECTRICAL PROPERTIES			
MODEL	###V	**A	Z kW
16FC	208V	40A	24kW
18FD	240V	35A	24kW
16FE	208V	50A	30kW
18FG	240V	45A	30kW
16FH	208V	60A	34.6kW
18FJ	240V	50A	36kW
71	208V	40A	24kW
74	240V	35A	24kW
72	208V	50A	30kW
75	240V	45A	30kW
73	208V	60A	34.6kW
76	240V	50A	36kW



9506-480-001H

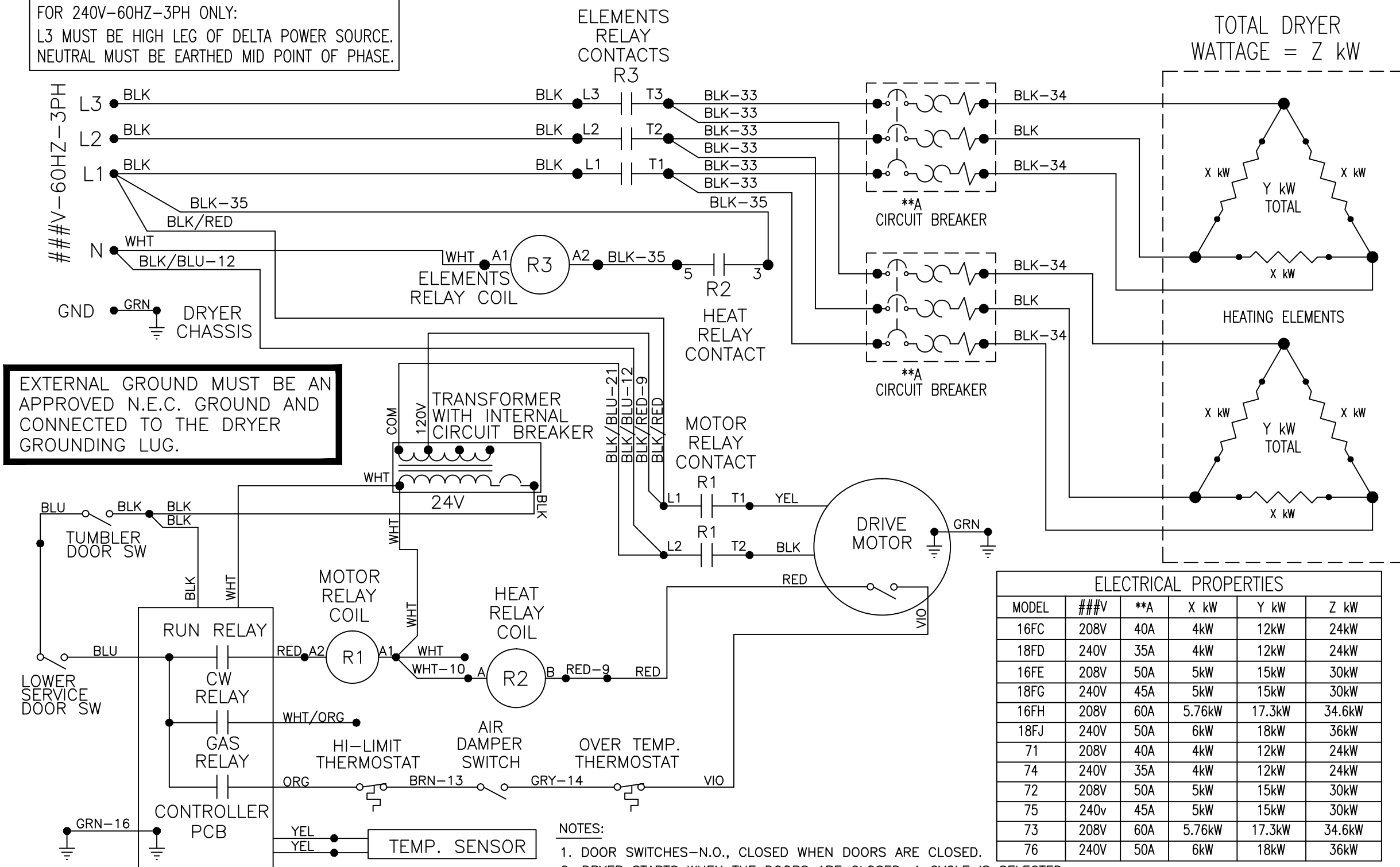
WIRING DIAGRAM

DN0030E_-(71/74)_B_X
 DN0050E_-(71/72/74/75)_B_X
 DN0080E_-(72/73/75/76)_B_X

LOWER SERVICE DOOR SWITCH (BEHIND LOWER PANEL)

DCBD30HC_-1_F_
 DCBD50HC_-1_F_
 DCBD80HC_-1_F_

FOR 240V-60HZ-3PH ONLY:
L3 MUST BE HIGH LEG OF DELTA POWER SOURCE.
NEUTRAL MUST BE EARTHED MID POINT OF PHASE.



TOTAL DRYER
WATTAGE = Z kW

EXTERNAL GROUND MUST BE AN
APPROVED N.E.C. GROUND AND
CONNECTED TO THE DRYER
GROUNDING LUG.

ELECTRICAL PROPERTIES					
MODEL	###V	**A	X kW	Y kW	Z kW
16FC	208V	40A	4kW	12kW	24kW
18FD	240V	35A	4kW	12kW	24kW
16FE	208V	50A	5kW	15kW	30kW
18FG	240V	45A	5kW	15kW	30kW
16FH	208V	60A	5.76kW	17.3kW	34.6kW
18FJ	240V	50A	6kW	18kW	36kW
71	208V	40A	4kW	12kW	24kW
74	240V	35A	4kW	12kW	24kW
72	208V	50A	5kW	15kW	30kW
75	240v	45A	5kW	15kW	30kW
73	208V	60A	5.76kW	17.3kW	34.6kW
76	240V	50A	6kW	18kW	36kW

- NOTES:
1. DOOR SWITCHES-N.O., CLOSED WHEN DOORS ARE CLOSED.
 2. DRYER STARTS WHEN THE DOORS ARE CLOSED, A CYCLE IS SELECTED, AND THE START BUTTON IS PUSHED. THERE IS AN AUTOMATIC COOL DOWN AT THE END OF THE CYCLE.
 3. CENTRIFUGAL SWITCH-N.O., CLOSES WHEN MOTOR IS UP TO SPEED.
 4. REFER TO OWNER'S MANUAL FOR DESCRIPTION OF OPERATION AND REQUIREMENTS FOR HEATING CIRCUIT.

9506-480-001H

SCHEMATIC

DN0030E_-(71/74)_B_X DCBD30HC_-1_F_
 DN0050E_-(71/72/74/75)_B_X DCBD50HC_-1_F_
 DN0080E_-(72/73/75/76)_B_X DCBD80HC_-1_F_