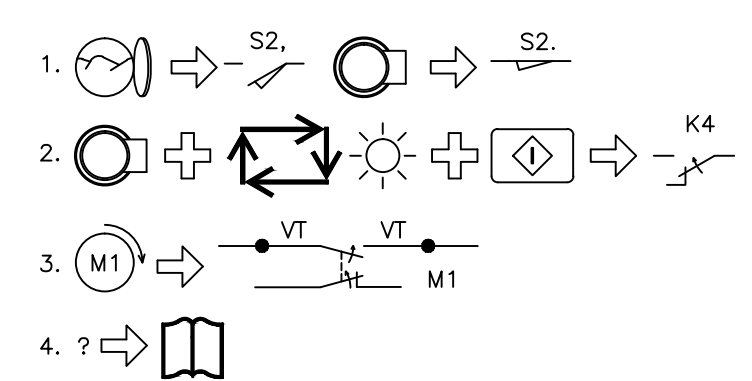


- #1 = 9627-859-001
- #2 = 9627-861-001
- #3 = 9627-885-001
- #4 = 9627-887-001
- #5 = 9627-864-002

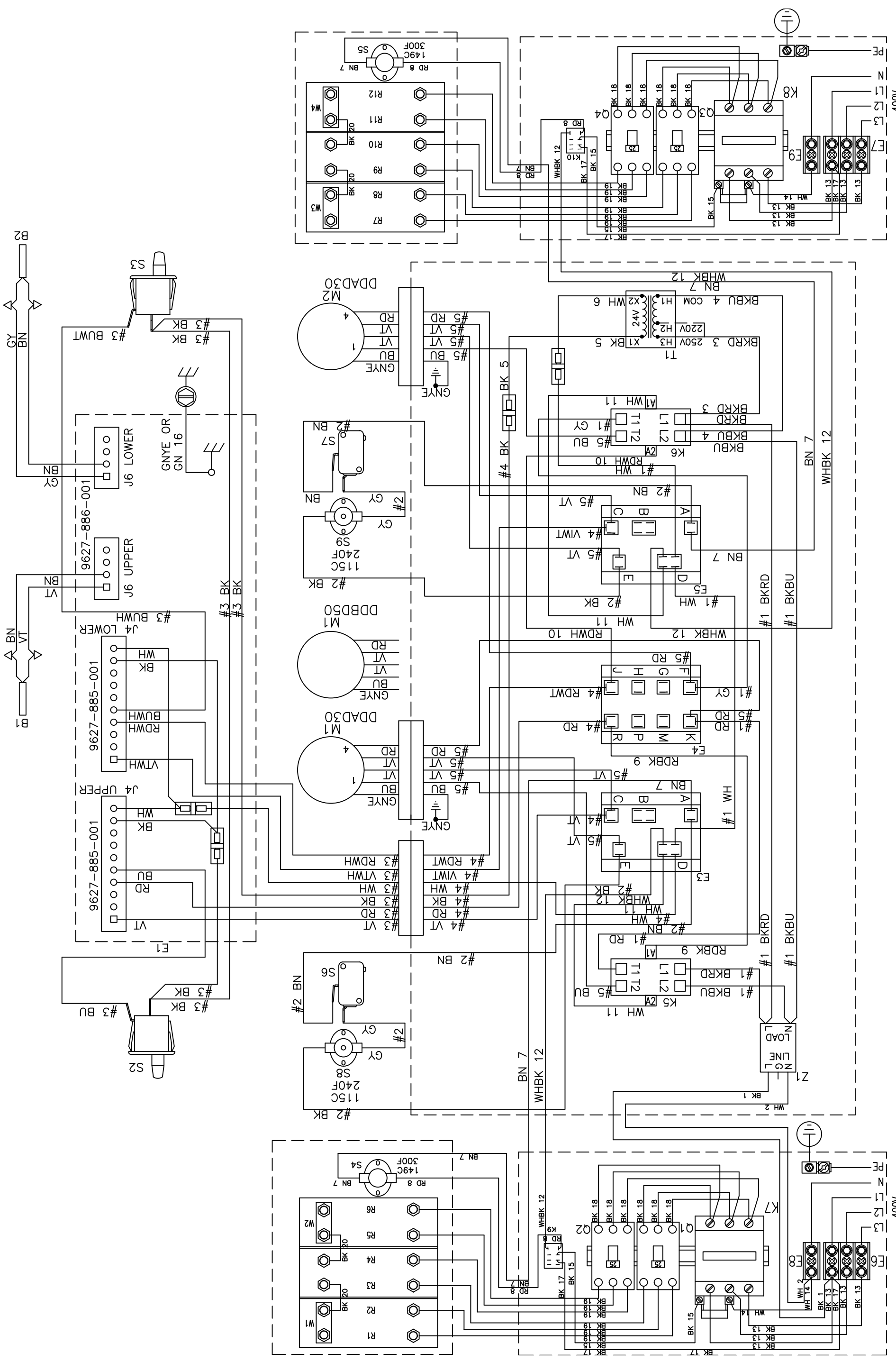


9506-459-001C

DDAD30HC\_-64FN/DN30X2E\_-79CB\_X

Q4 25A 415V

24kW



400V  
3~ 50HZ

400V  
3~ 50HZ

DDAD30HC\_--64FN/DN30X2E\_--79CB\_X

9506--460--001D