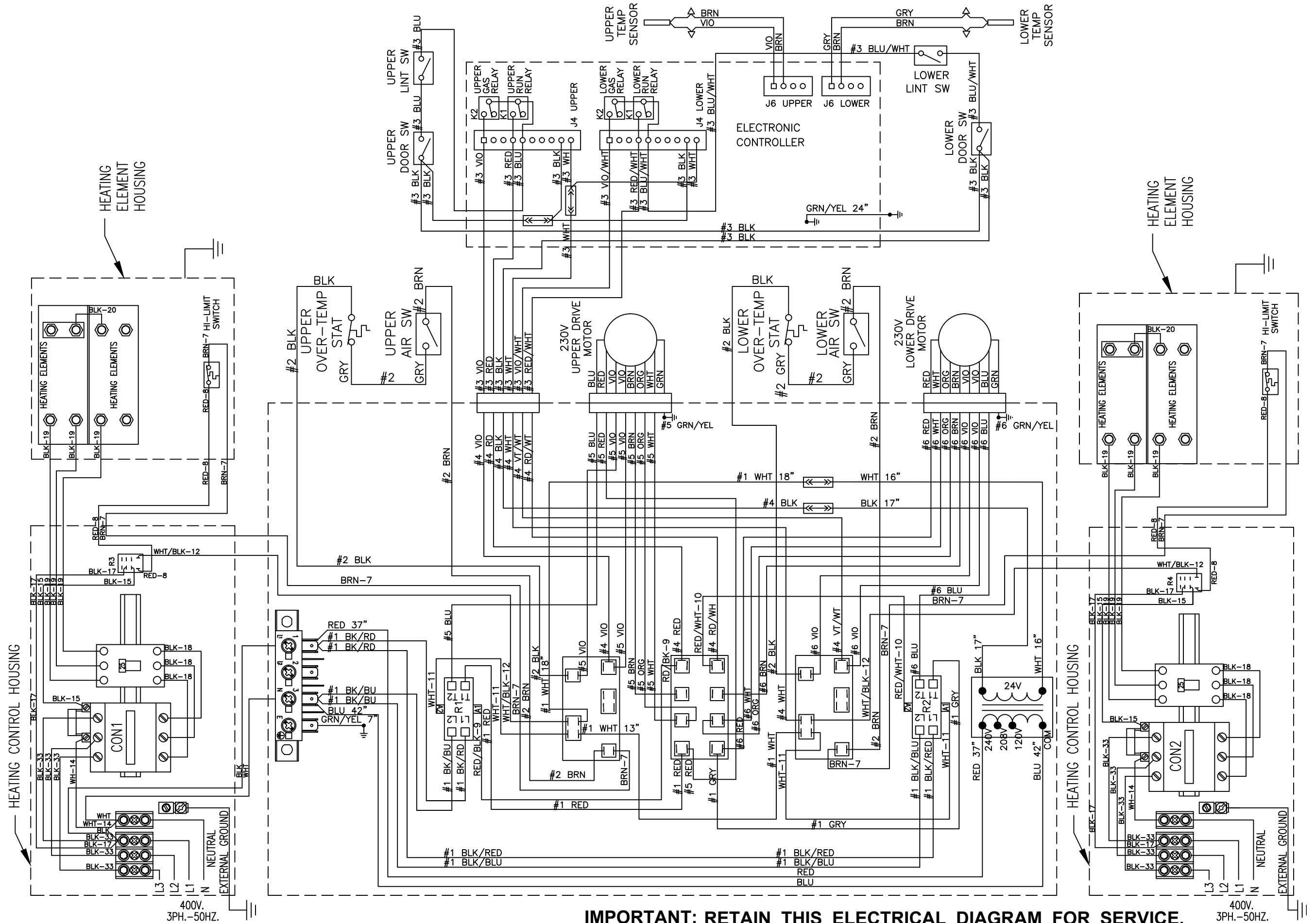


IMPORTANT: RETAIN THIS ELECTRICAL SCHEMATIC FOR SERVICE.



IMPORTANT: RETAIN THIS ELECTRICAL DIAGRAM FOR SERVICE.

9506-863-001PR

WIRING DIAGRAM

DN20X2E_-82XB_X-_-_-X