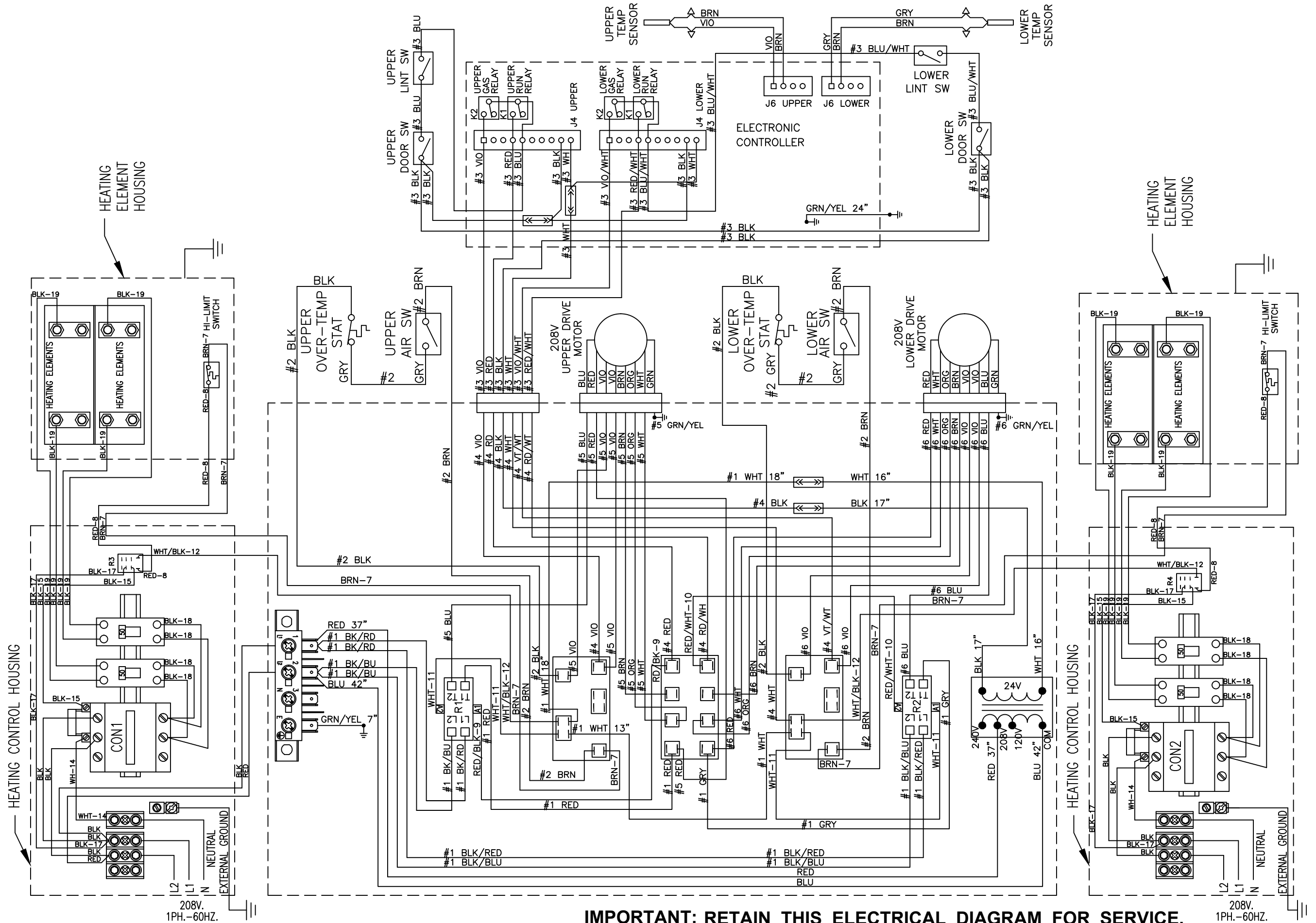


IMPORTANT: RETAIN THIS ELECTRICAL SCHEMATIC FOR SERVICE.



IMPORTANT: RETAIN THIS ELECTRICAL DIAGRAM FOR SERVICE.