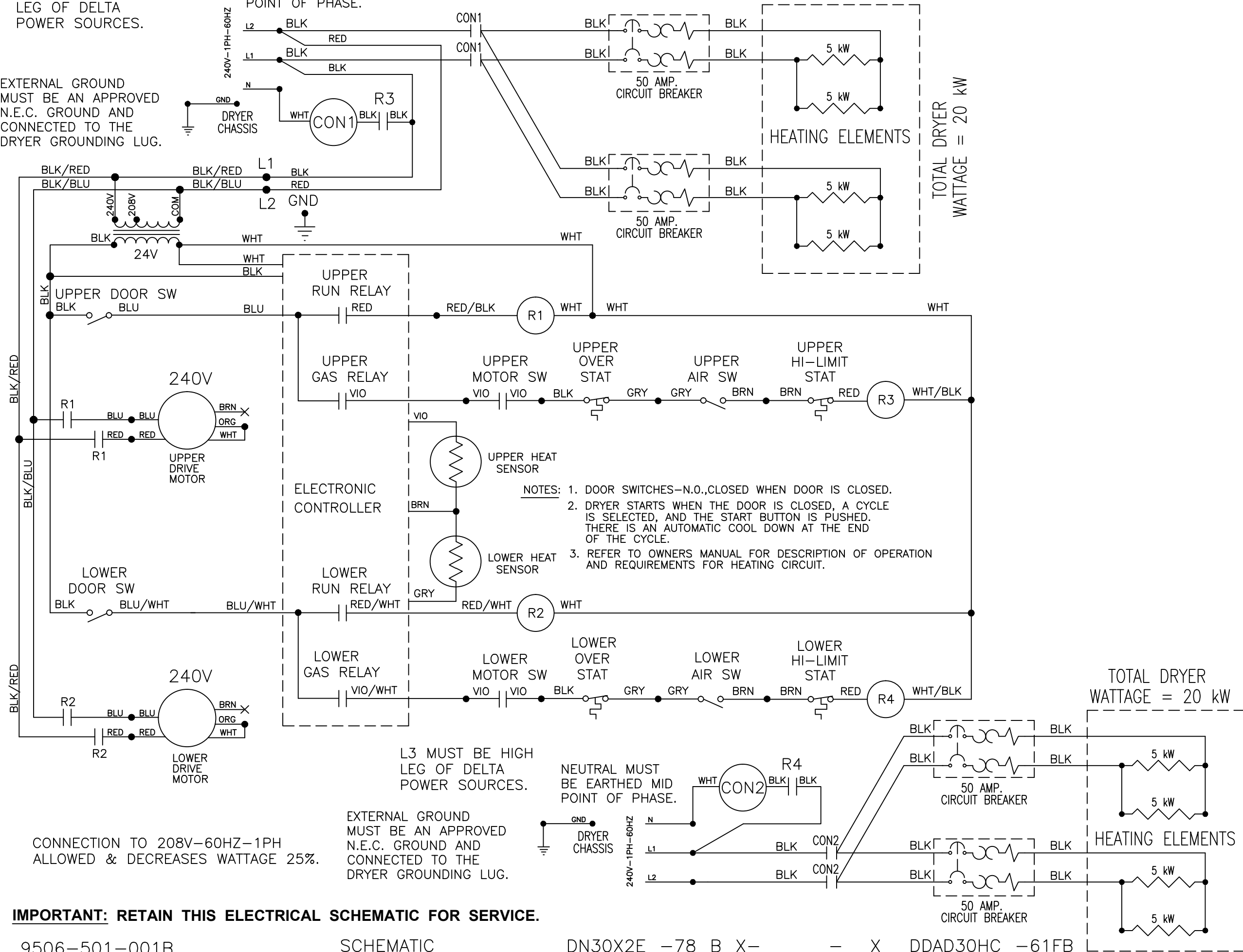


L3 MUST BE HIGH LEG OF DELTA POWER SOURCES.

EXTERNAL GROUND MUST BE AN APPROVED N.E.C. GROUND AND CONNECTED TO THE DRYER GROUNDING LUG.

NEUTRAL MUST BE EARTHED MID POINT OF PHASE.

CONNECTION TO 208V-60HZ-1PH ALLOWED & DECREASES WATTAGE 25%.



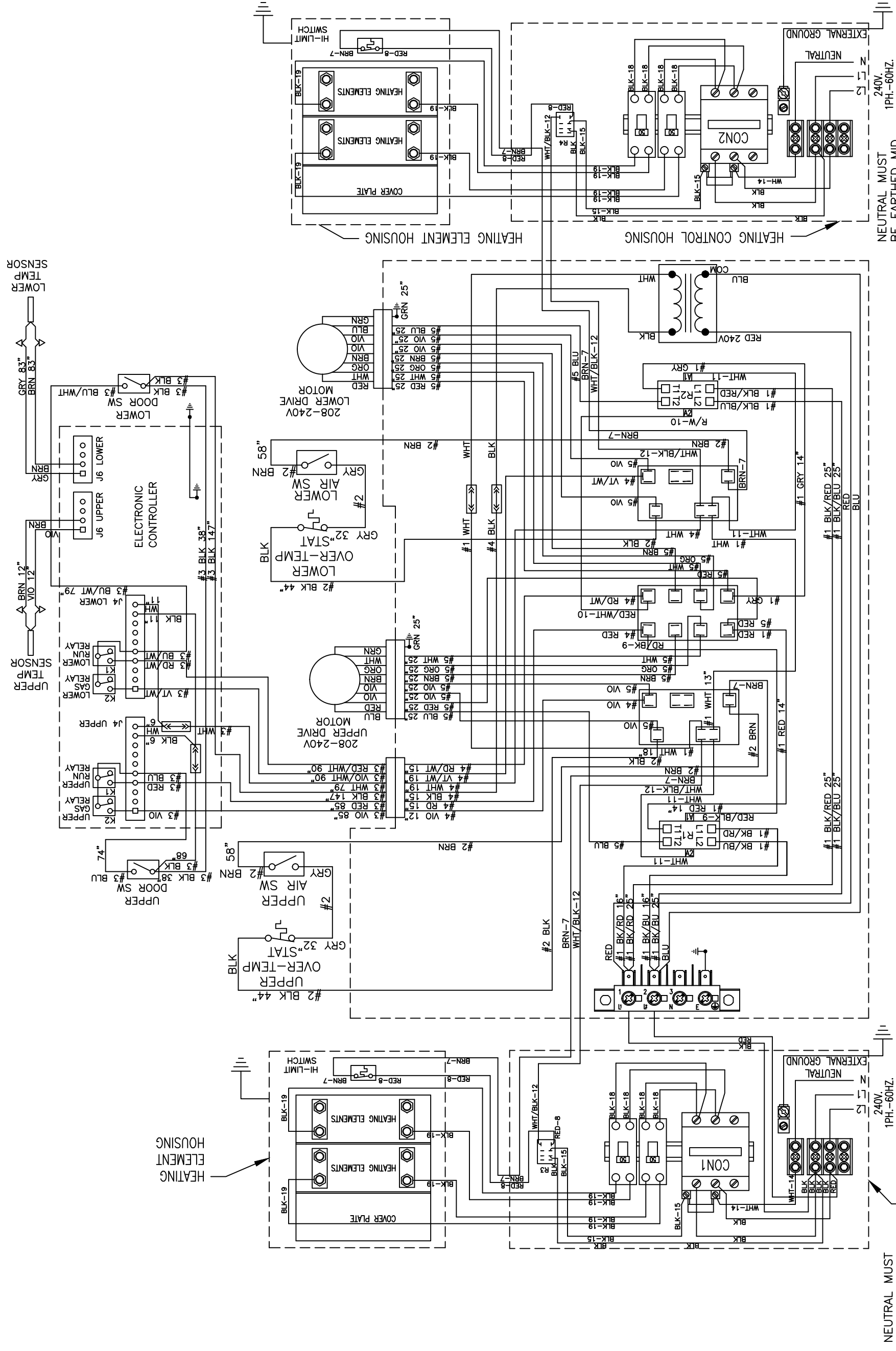
CONNECTION TO 208V-60HZ-1PH ALLOWED & DECREASES WATTAGE 25%.

L3 MUST BE HIGH LEG OF DELTA POWER SOURCES.

EXTERNAL GROUND MUST BE AN APPROVED N.E.C. GROUND AND CONNECTED TO THE DRYER GROUNDING LUG.

NEUTRAL MUST BE EARTHED MID POINT OF PHASE.

IMPORTANT: RETAIN THIS ELECTRICAL SCHEMATIC FOR SERVICE.



NEUTRAL MUST BE EARTHED MID POINT OF PHASE.
 240V. 1PH.-60HZ.
 EXTERNAL GROUND MUST BE AN APPROVED N.E.C. GROUND AND CONNECTED TO THE DRYER GROUNDING LUG.

NEUTRAL MUST BE EARTHED MID POINT OF PHASE.
 240V. 1PH.-60HZ.
 EXTERNAL GROUND MUST BE AN APPROVED N.E.C. GROUND AND CONNECTED TO THE DRYER GROUNDING LUG.

NEUTRAL MUST BE EARTHED MID POINT OF PHASE.
 240V. 1PH.-60HZ.
 EXTERNAL GROUND MUST BE AN APPROVED N.E.C. GROUND AND CONNECTED TO THE DRYER GROUNDING LUG.

NEUTRAL MUST BE EARTHED MID POINT OF PHASE.
 240V. 1PH.-60HZ.
 EXTERNAL GROUND MUST BE AN APPROVED N.E.C. GROUND AND CONNECTED TO THE DRYER GROUNDING LUG.

NEUTRAL MUST BE EARTHED MID POINT OF PHASE.
 240V. 1PH.-60HZ.
 EXTERNAL GROUND MUST BE AN APPROVED N.E.C. GROUND AND CONNECTED TO THE DRYER GROUNDING LUG.

IMPORTANT: RETAIN THIS ELECTRICAL DIAGRAM FOR SERVICE.

9506-502-001C

WIRING DIAGRAM

CONNECTION TO 208V-60HZ-1PH ALLOWED & DECREASES WATTAGE 25%.

CONNECTION TO 208V-60HZ-1PH ALLOWED & DECREASES WATTAGE 25%.

DDAD30HC--61FB
 DN30X2E--78_B_X-