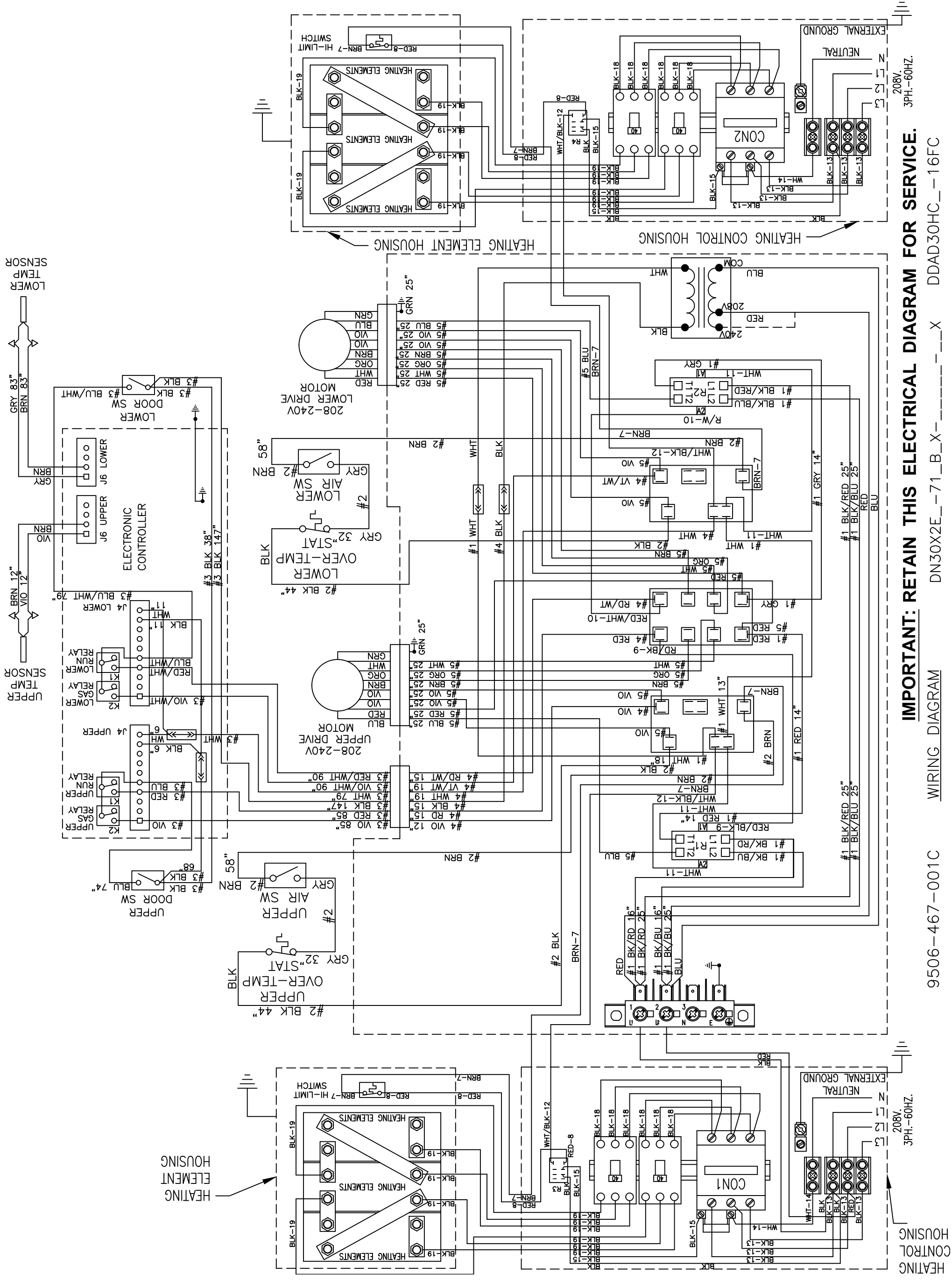


IMPORTANT: RETAIN THIS ELECTRICAL SCHEMATIC FOR SERVICE.



IMPORTANT: RETAIN THIS ELECTRICAL DIAGRAM FOR SERVICE.
 WIRING DIAGRAM DN30X2E_--71_B_X-- DDAD30HC_--16FC
 9506--467--001C 208V 3PH.-60HZ. HEATING CONTROL HOUSING