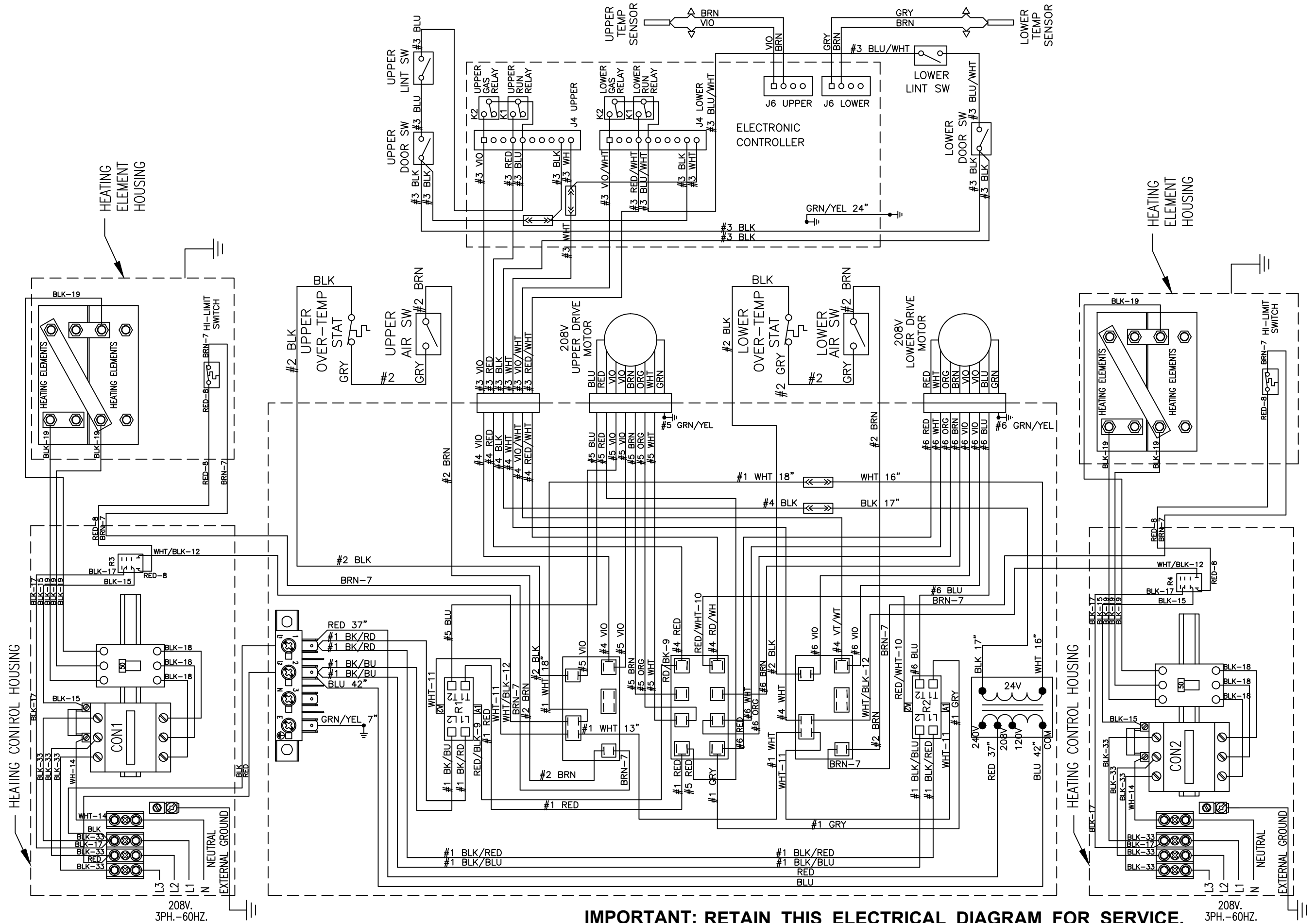


IMPORTANT: RETAIN THIS ELECTRICAL SCHEMATIC FOR SERVICE.



IMPORTANT: RETAIN THIS ELECTRICAL DIAGRAM FOR SERVICE.

9506-858-001PR

WIRING DIAGRAM

DN20X2E_-84_B_X-_-_-X

208V.
3PH.-60HZ.