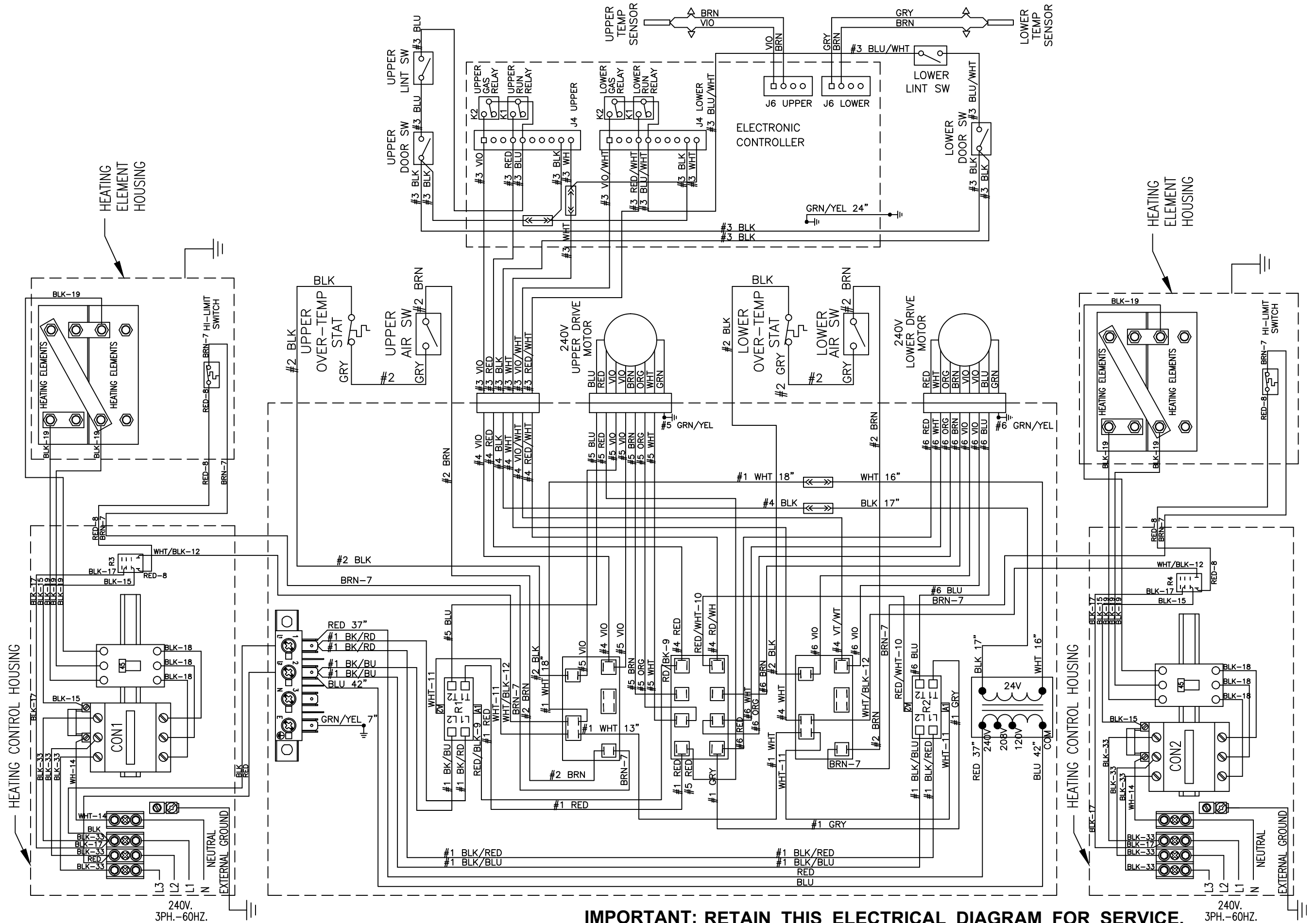


IMPORTANT: RETAIN THIS ELECTRICAL SCHEMATIC FOR SERVICE.



IMPORTANT: RETAIN THIS ELECTRICAL DIAGRAM FOR SERVICE.

9506-859-001PR

WIRING DIAGRAM

DN20X2E_-85_B_X-____-__X

240V.
3PH.-60HZ.