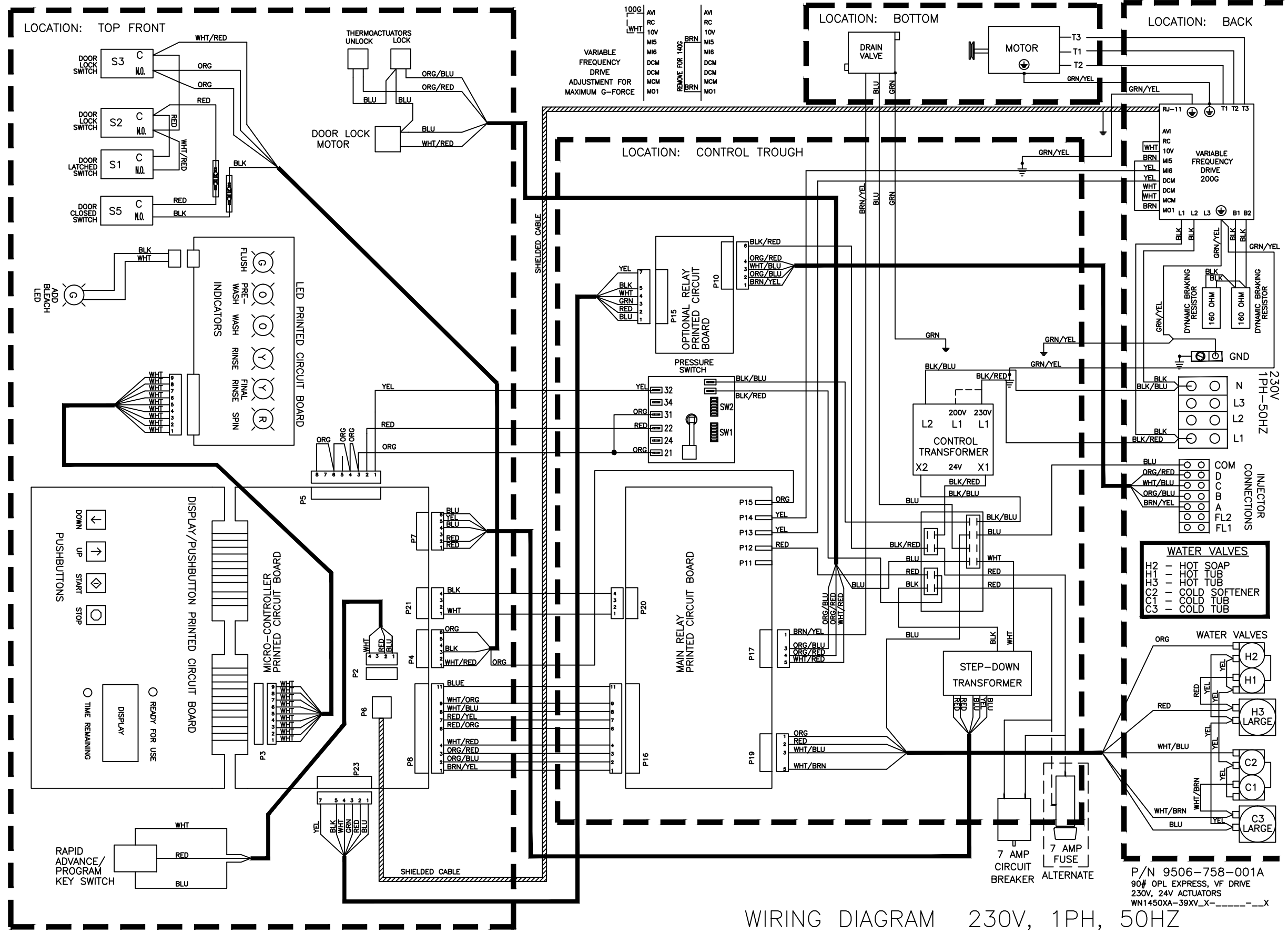


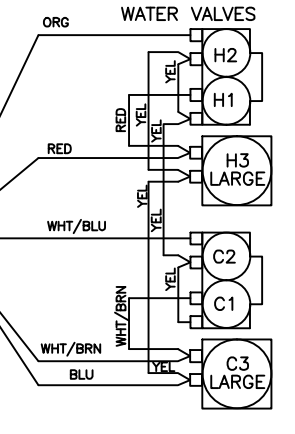
P/N 9506-758-001A
 90 LB OPL EXPRESS, VF DRIVE
 230V, 24V ACTUATORS
 WN1450XA-39XV_X-____-__X



100G
WHT
AV RC 10V
MI5
DCM
MCM
MO1
REMOVE FOR 140G
BRN
MI6
DCM
MCM
MO1
AV RC 10V
MI6
DCM
MCM
MO1

VARIABLE FREQUENCY DRIVE ADJUSTMENT FOR MAXIMUM G-FORCE

WATER VALVES	
H2	- HOT SOAP
H1	- HOT TUB
H3	- HOT TUB
C2	- COLD SOFTENER
C1	- COLD TUB
C3	- COLD TUB



P/N 9506-758-001A
90# OPL EXPRESS, VF DRIVE
230V, 24V ACTUATORS
WN1450XA-39XV_X-_____X

WIRING DIAGRAM 230V, 1PH, 50HZ