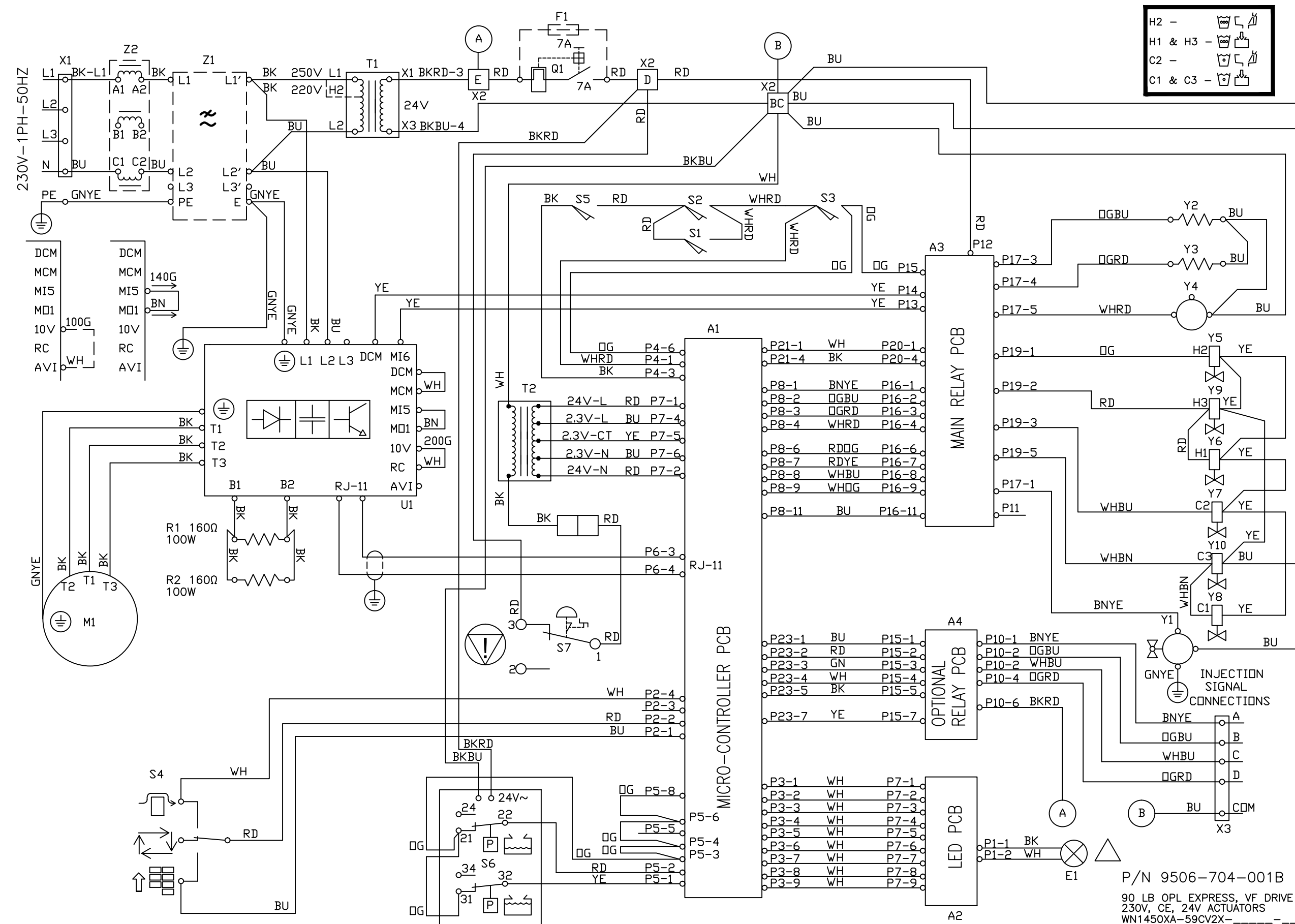


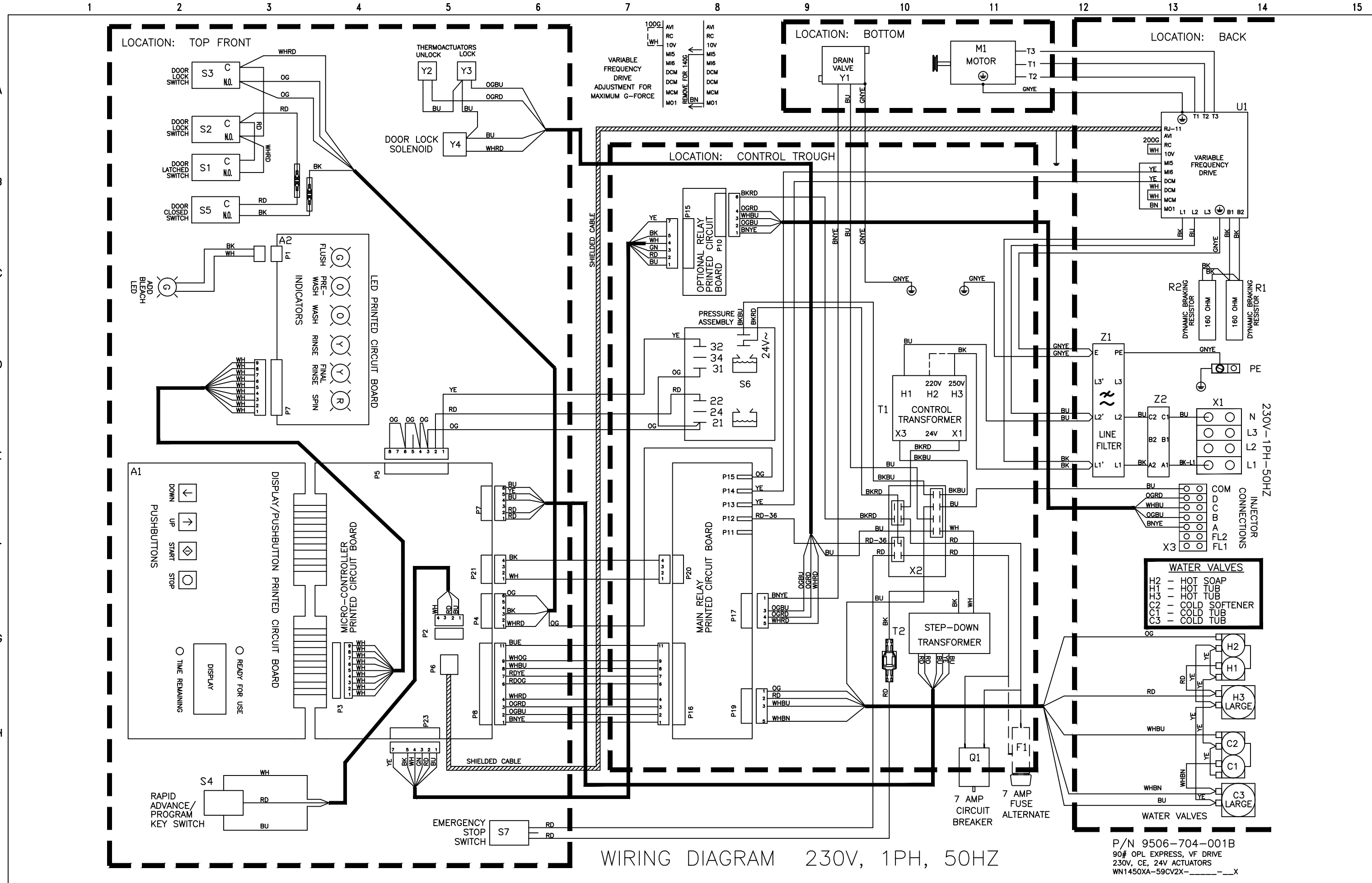
A  
B  
C  
D  
E  
F  
G  
H  
I

|           |  |  |
|-----------|--|--|
| H2 -      |  |  |
| H1 & H3 - |  |  |
| C2 -      |  |  |
| C1 & C3 - |  |  |



SCHMATIC 230V, 1PH, 50HZ

P/N 9506-704-001B  
 90 LB OPL EXPRESS, VF DRIVE  
 230V, CE, 24V ACTUATORS  
 WN1450XA-59CV2X-\_\_\_\_\_X



WIRING DIAGRAM 230V, 1PH, 50HZ

P/N 9506-704-001B  
 90# OPL EXPRESS, VF DRIVE  
 230V, CE, 24V ACTUATORS  
 WN1450XA-59CV2X-\_\_\_\_-\_\_X

| WATER VALVES |                 |
|--------------|-----------------|
| H2           | - HOT SOAP      |
| H1           | - HOT TUB       |
| H3           | - HOT TUB       |
| C2           | - COLD SOFTENER |
| C1           | - COLD TUB      |
| C3           | - COLD TUB      |