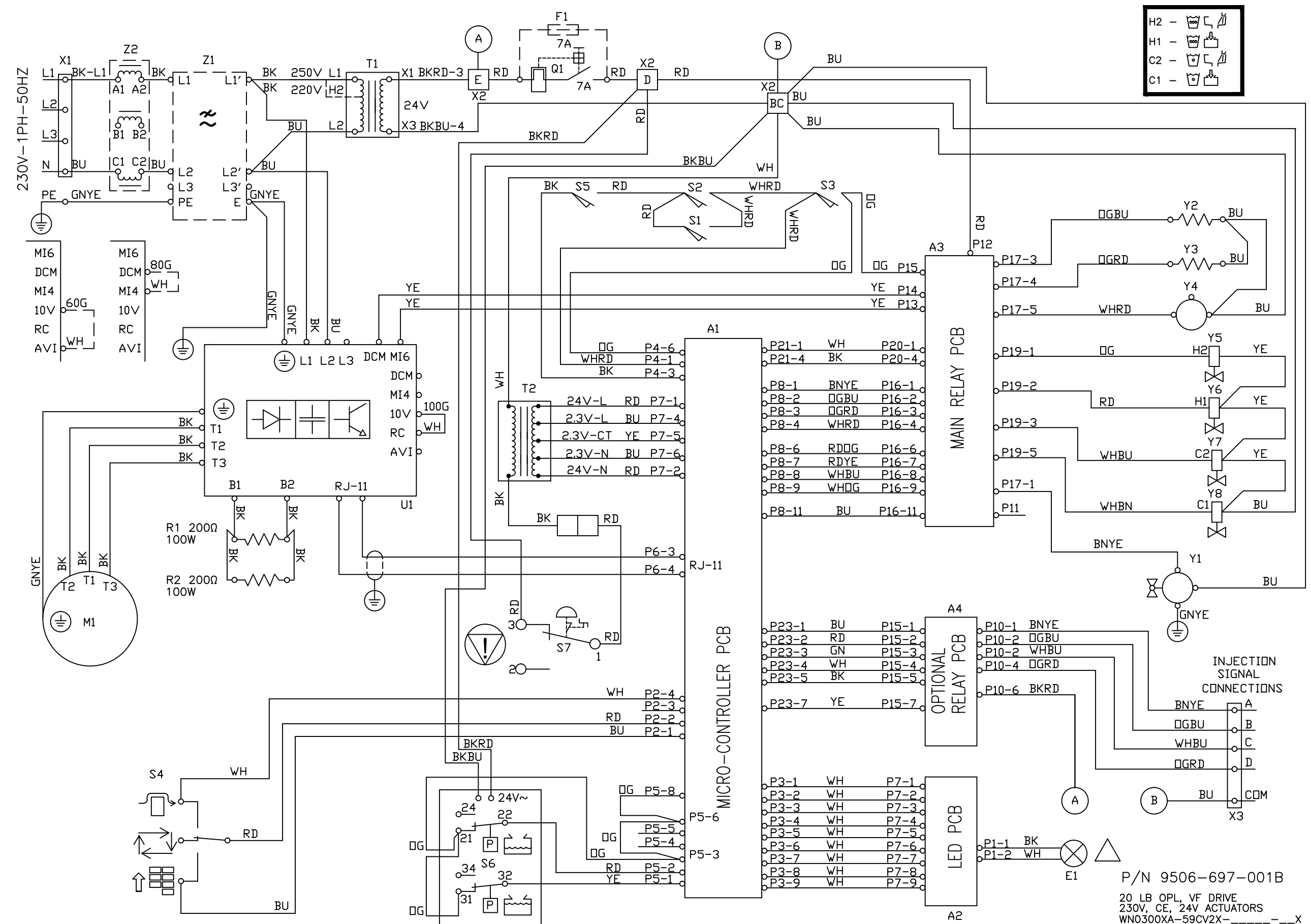
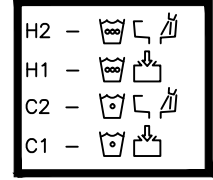
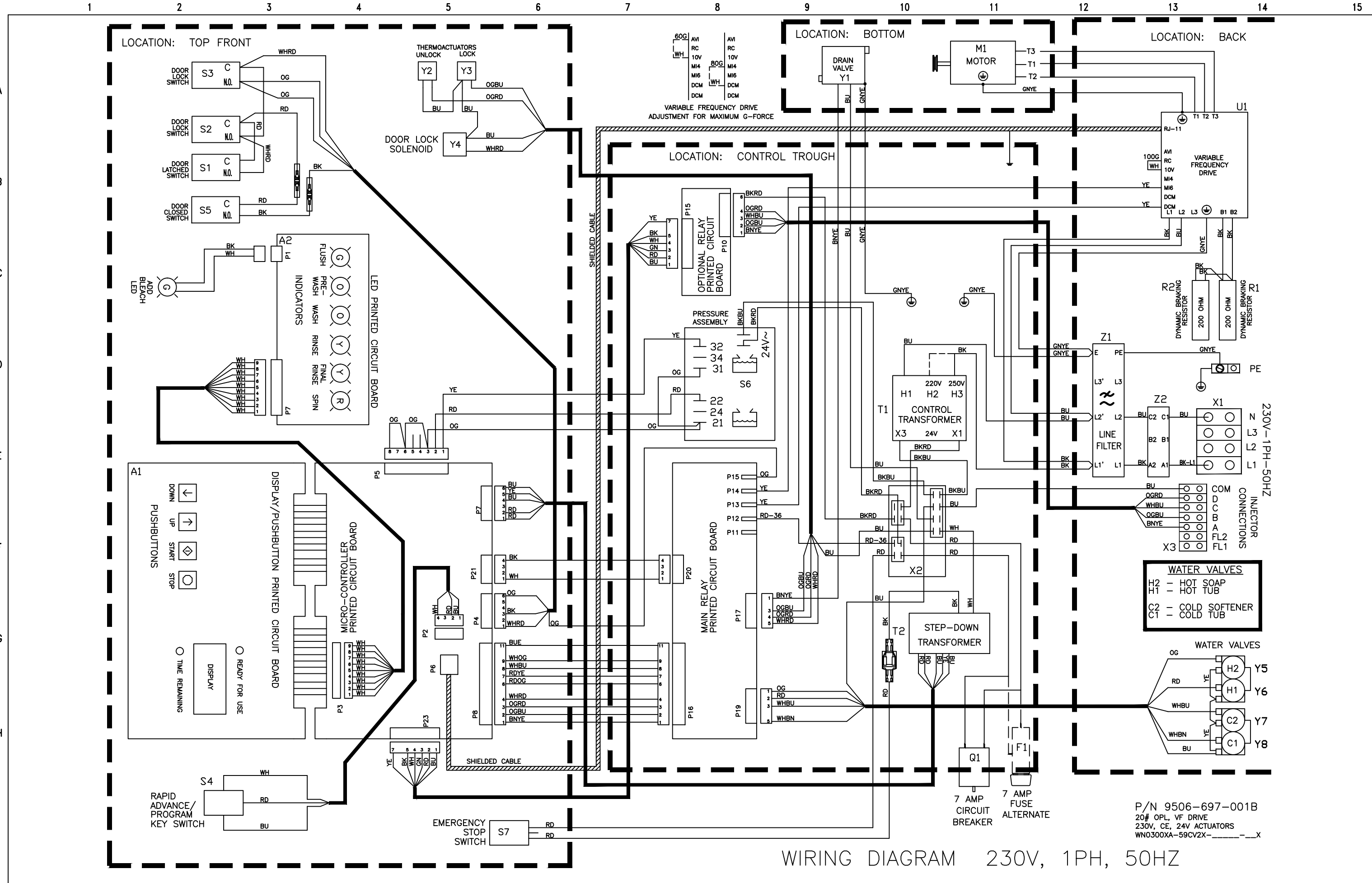


A  
B  
C  
D  
E  
F  
G  
H  
I



SCHEMATIC 230V, 1PH, 50HZ

P/N 9506-697-001B  
20 LB OPL, VF DRIVE  
230V, CE, 24V ACTUATORS  
WN0300XA-59CV2X-\_\_\_X



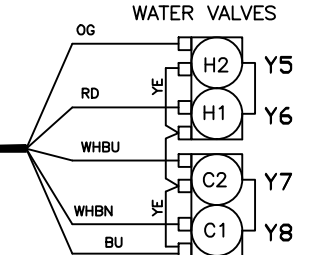
LOCATION: TOP FRONT

LOCATION: BOTTOM

LOCATION: BACK

LOCATION: CONTROL TROUGH

**WATER VALVES**  
 H2 - HOT SOAP  
 H1 - HOT TUB  
 C2 - COLD SOFTENER  
 C1 - COLD TUB



P/N 9506-697-001B  
 20# OPL, VF DRIVE  
 230V, CE, 24V ACTUATORS  
 WN0300XA-59CV2X-\_\_-\_\_X

WIRING DIAGRAM 230V, 1PH, 50HZ