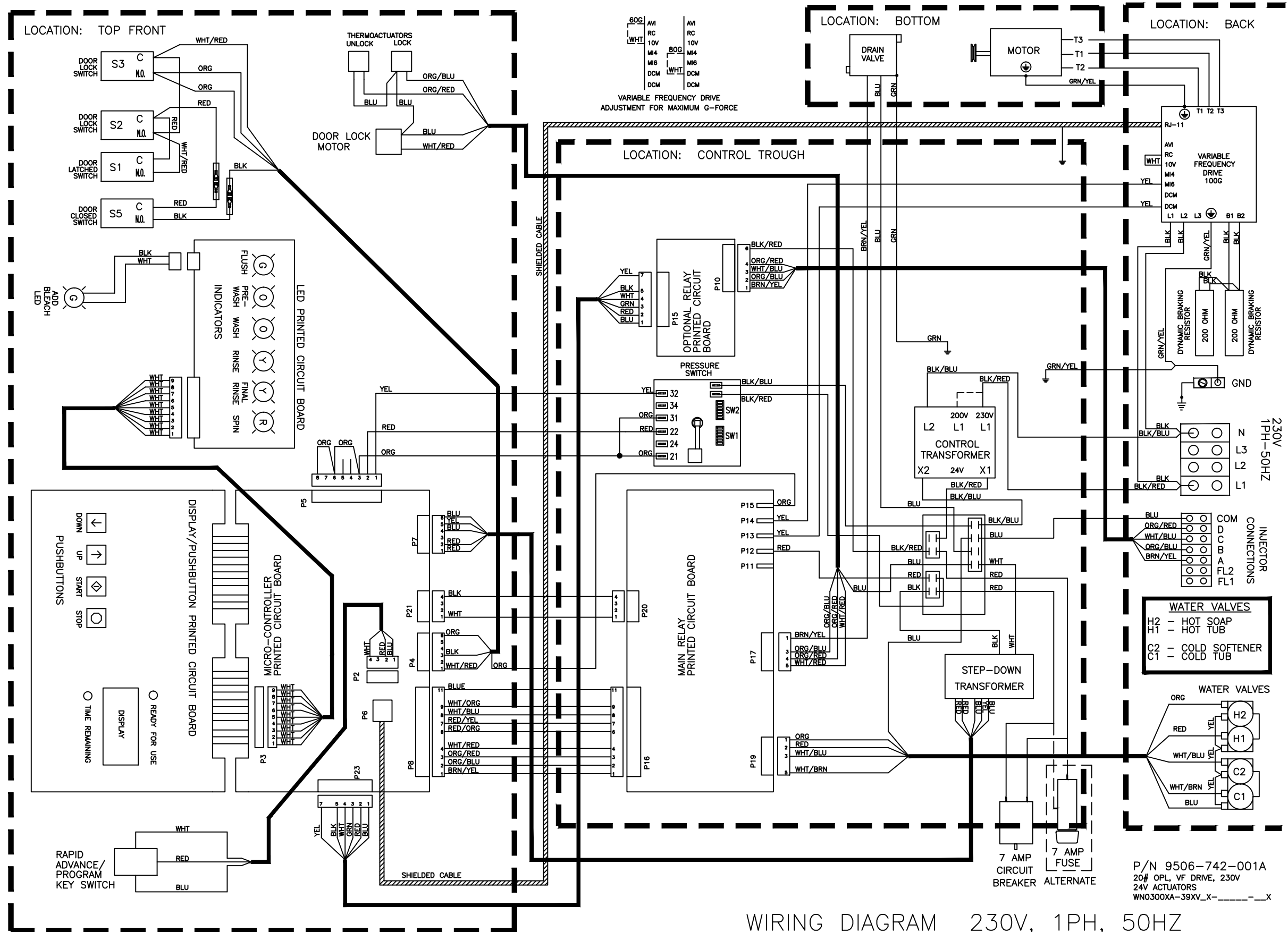


SCHMATIC 230V, 1PH, 50HZ

P/N 9506-742-001A  
 20 LB OPL, VF DRIVE, 230V  
 24V ACTUATORS  
 WN0300XA-39XV\_X-\_\_\_\_X



WIRING DIAGRAM 230V, 1PH, 50HZ