

**WATER VALVES**

- H2 - HOT SOAP
- H1 - HOT TUB
- H3 - HOT TUB
- C2 - COLD SOFTENER
- C1 - COLD TUB
- C3 - COLD TUB

208-240V-3PH OR 1PH-60HZ  
(3 PH ONLY)

DCM  
MCM  
MIS  
MD1  
10V  
RC  
AVI

VARIABLE FREQUENCY DRIVE  
ADJUSTMENT FOR  
MAXIMUM G-FORCE

MOTOR DRIVE SYSTEM

RAPID  
ADVANCE/  
PROGRAM  
KEY SWITCH

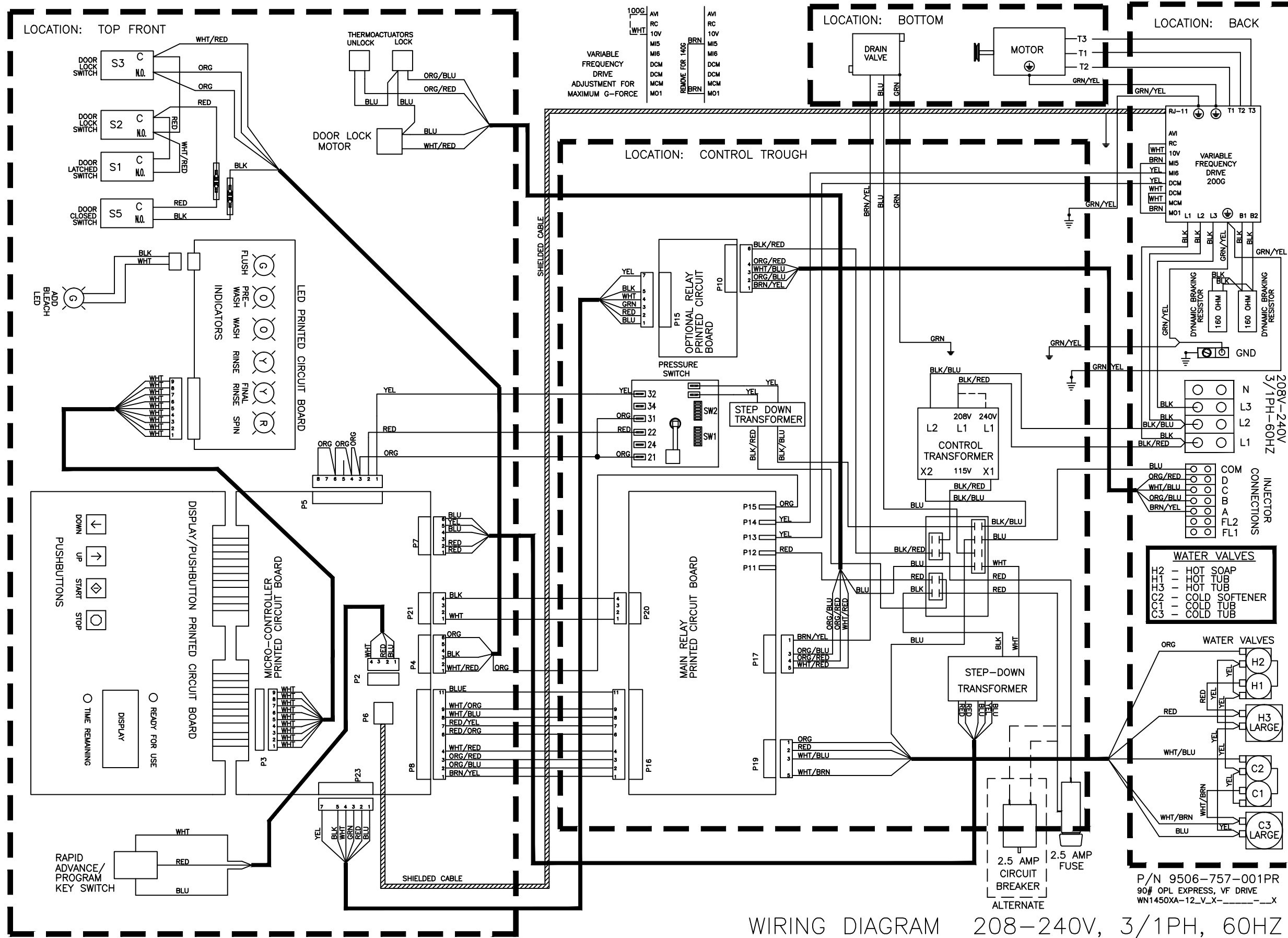
ADD  
BLEACH  
LED

VARIABLE  
FREQUENCY  
DRIVE  
200G

STEP-DOWN  
TRANSFORMER

STEP-DOWN  
TRANSFORMER

SCHEMATIC 208 - 240V, 3/1PH, 60HZ



VARIABLE FREQUENCY DRIVE ADJUSTMENT FOR MAXIMUM G-FORCE

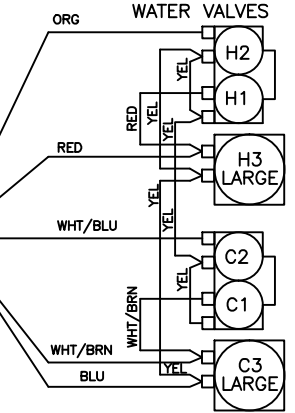
100G	AV	RC	AV
1	WHT	10V	RC
	MIS		MIS
	MIS		MIS
	DCM		DCM
	DCM		DCM
	MCM		MCM
	MCM		MCM
	MO1		MO1

REMOVE FOR 140G

	BRN	AV
	BRN	RC
	BRN	MIS
	BRN	DCM
	BRN	MCM
	BRN	MO1

**WATER VALVES**

- H2 - HOT SOAP
- H1 - HOT TUB
- H3 - HOT TUB
- C2 - COLD SOFTENER
- C1 - COLD TUB
- C3 - COLD TUB



P/N 9506-757-001PR  
 90# OPL EXPRESS, VF DRIVE  
 WN1450XA-12\_V\_X-\_\_\_\_\_x

WIRING DIAGRAM 208-240V, 3/1PH, 60HZ