

WATER VALVES
 H2 = HOT SOAP
 H1 = HOT TUB
 C2 = COLD SOFTENER
 C1 = COLD TUB

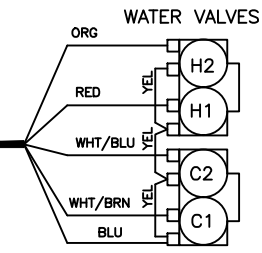
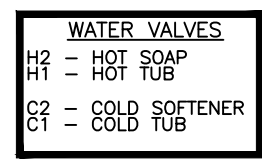
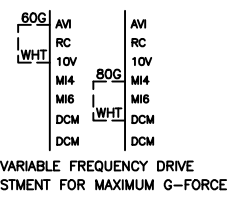
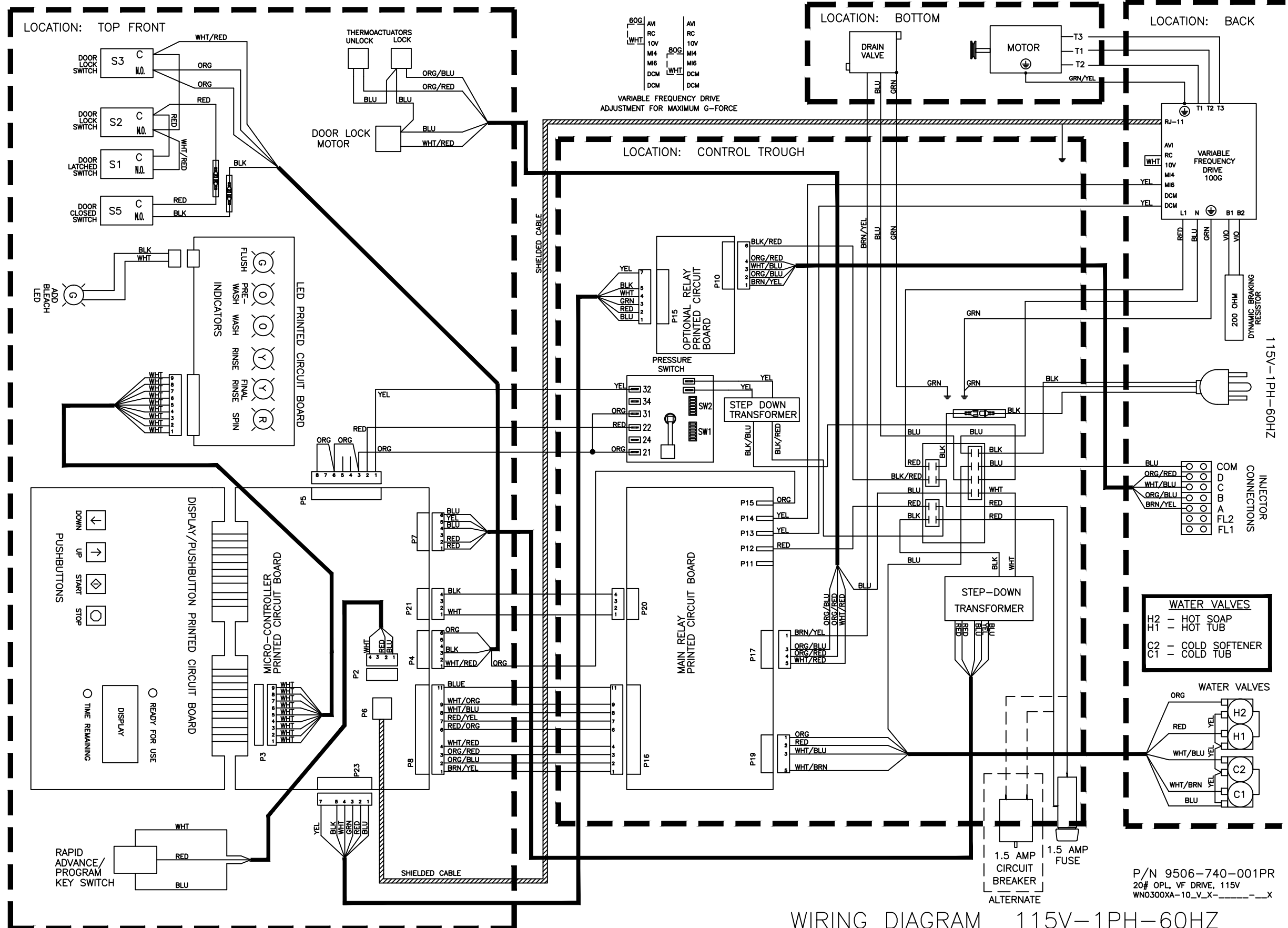
MI6 80G
 DCM WHT
 MI4
 10V
 RC
 AVI

VARIABLE FREQUENCY DRIVE
 ADJUSTMENT FOR
 MAXIMUM G-FORCE

RAPID
 ADVANCE/
 PROGRAM
 KEY SWITCH

P/N 9506-740-001PR
 20 LB OPL, VF DRIVE, 115V
 WN0300XA-10_V_X-____-__X

SCHEMATIC 115V-1PH-60HZ



P/N 9506-740-001PR
20# OPL, VF DRIVE, 115V
WN0300XA-10_V_X-__X

WIRING DIAGRAM 115V-1PH-60HZ