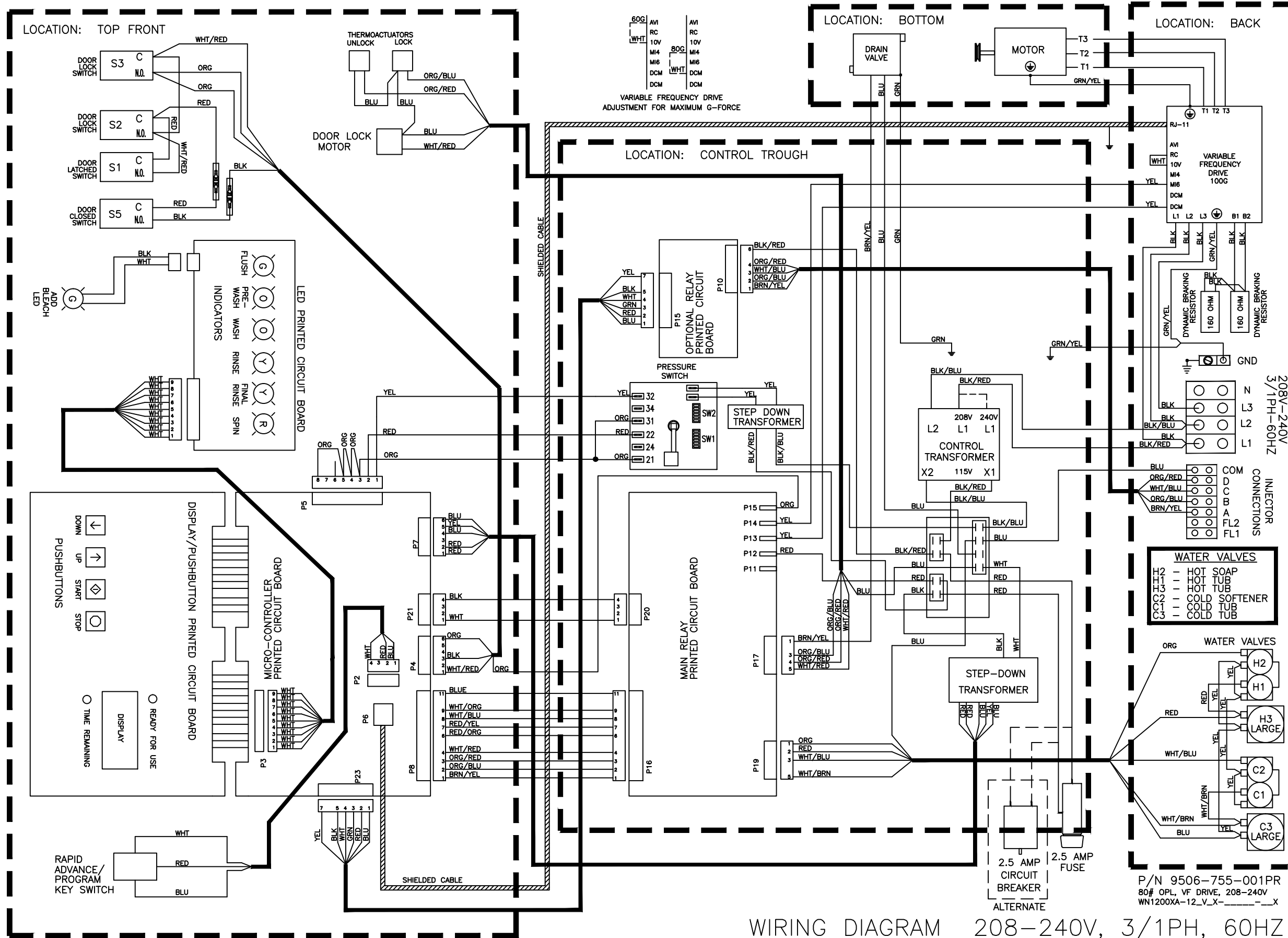


P/N 9506-755-001PR  
 80 LB OPL, VF DRIVE, 208-240V  
 WN1200XA-12\_V\_X-\_\_\_\_-\_\_X



WIRING DIAGRAM 208-240V, 3/1PH, 60HZ

P/N 9506-755-001PR  
 80# OPL, VF DRIVE, 208-240V  
 WN1200XA-12\_V\_X-\_\_X