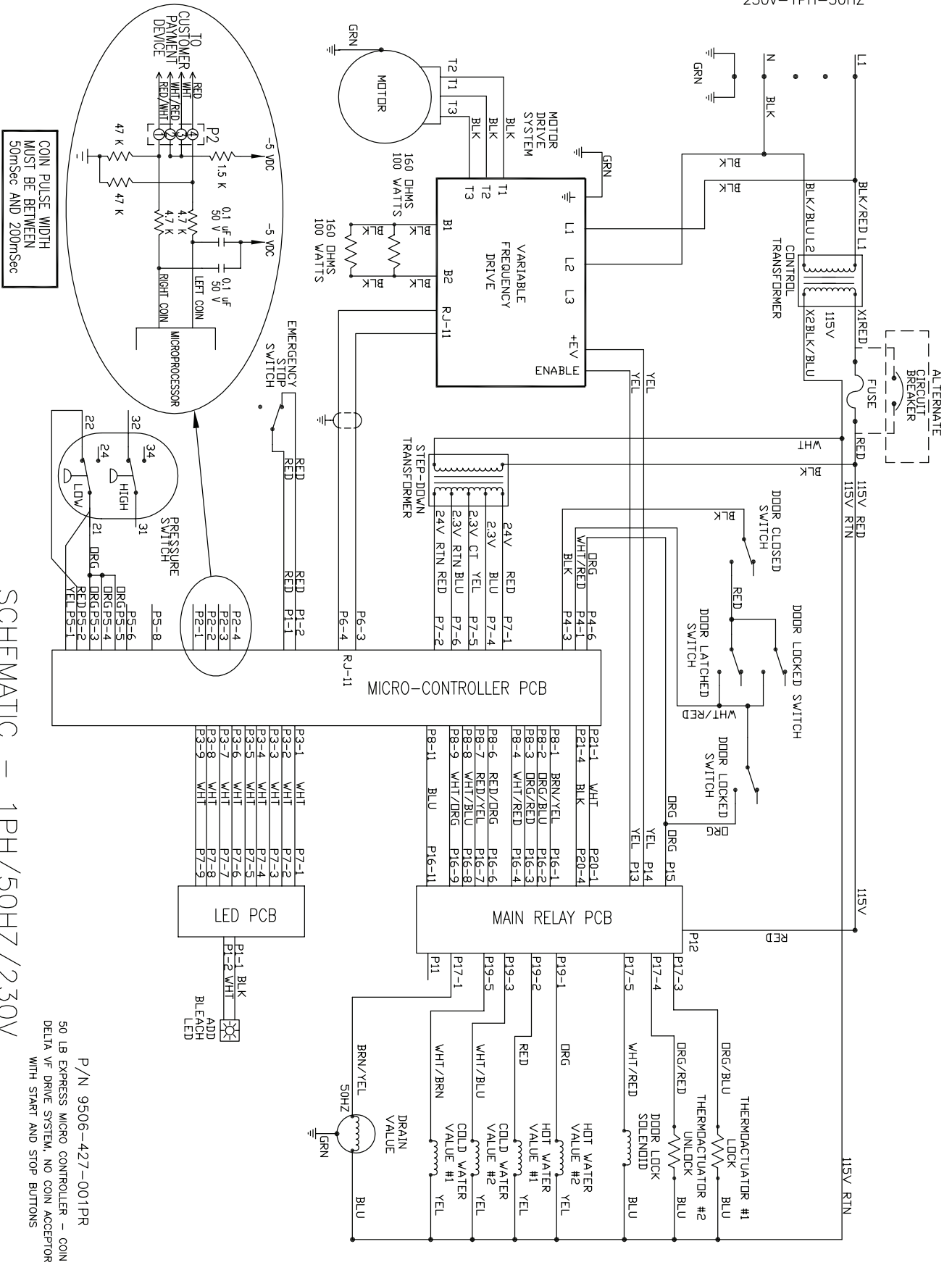
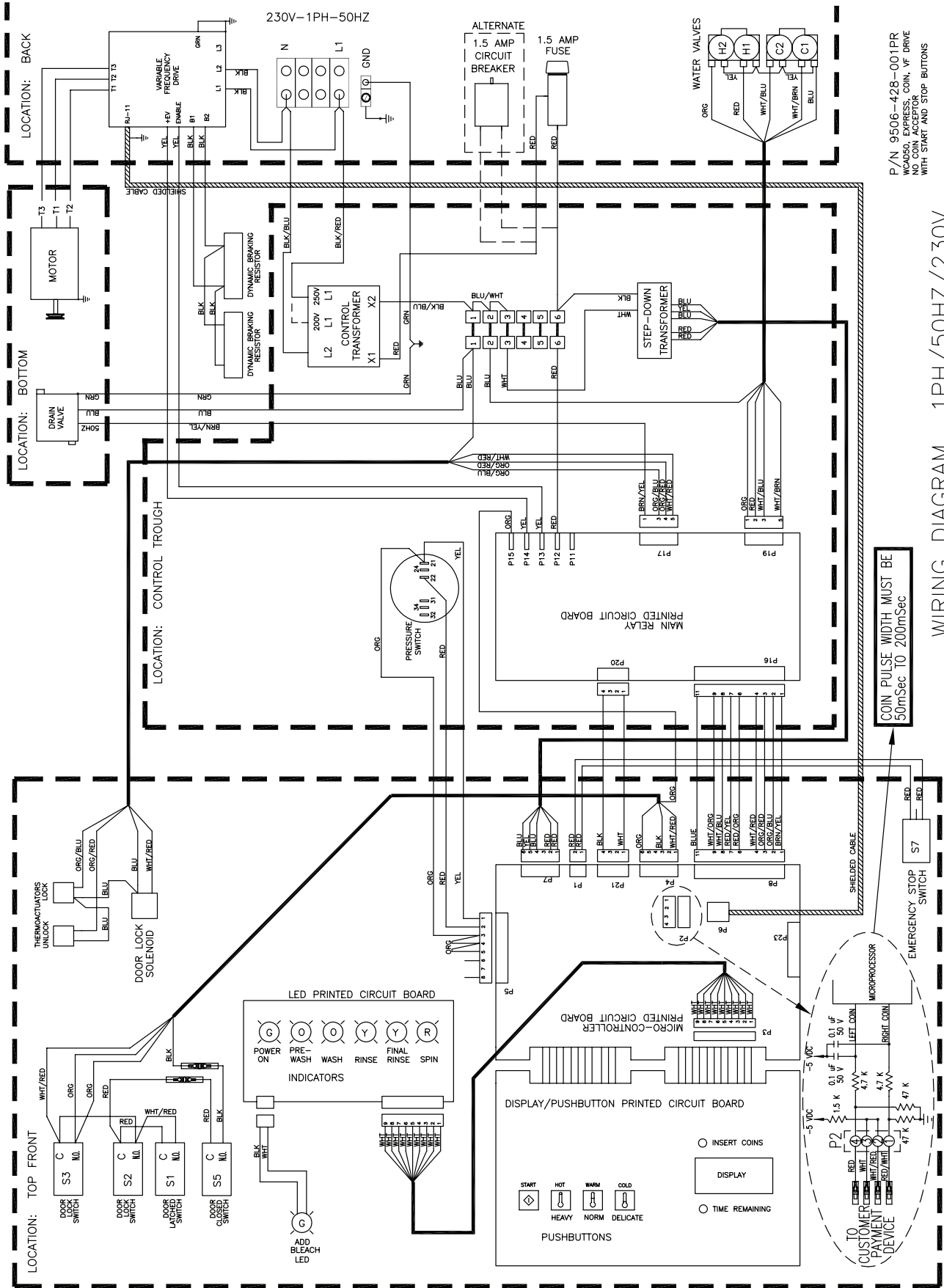


WCAD50KCB -21CNSZ 230/50/1 Voltage Schematic

230V-1PH-50HZ



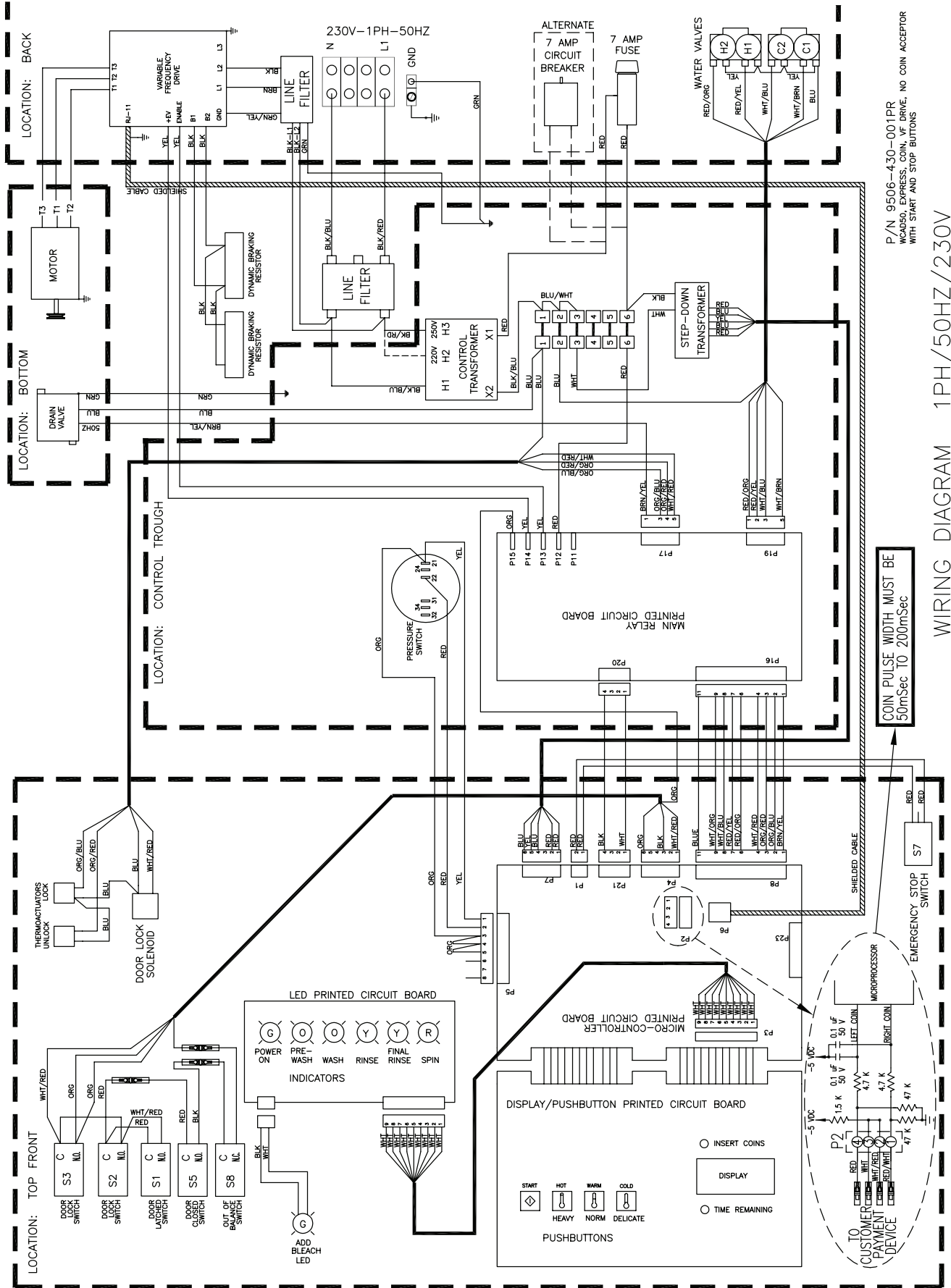
WCAD50KCB -21CNSZ 230/50/1 Voltage Diagram



P/N 9506-428-001PR
 W/400V AC MOTOR
 NO COIN ACCEPTOR
 WITH START AND STOP BUTTONS

WIRING DIAGRAM 1PH/50HZ/230V

WCAD50KCB -59CNSZ 230/50/1 Voltage Diagram

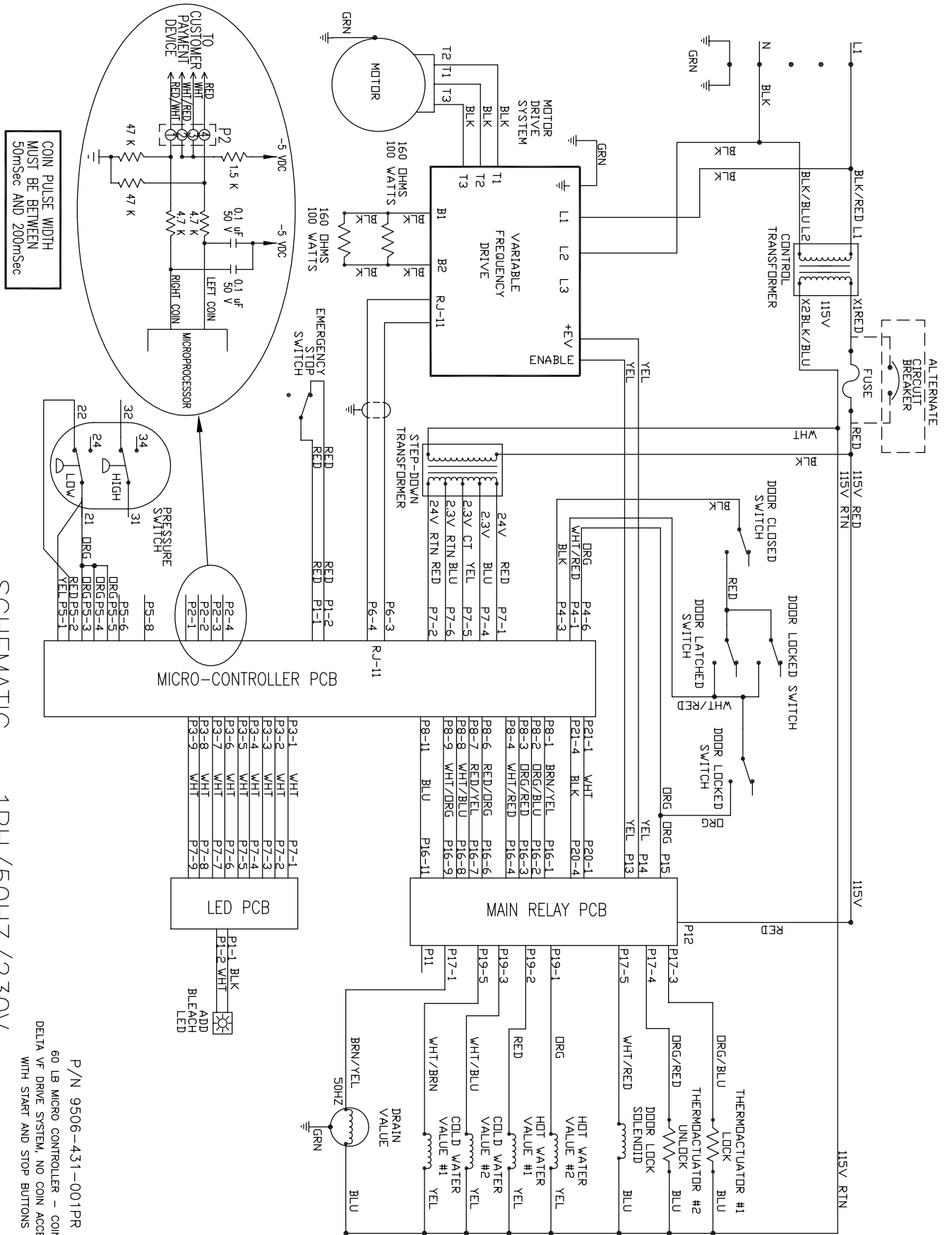


P/N 9506-430-001 PR
 WCAD50, EXPRESS, COIN, VF DRIVE, NO COIN ACCEPTOR
 WITH START AND STOP BUTTONS

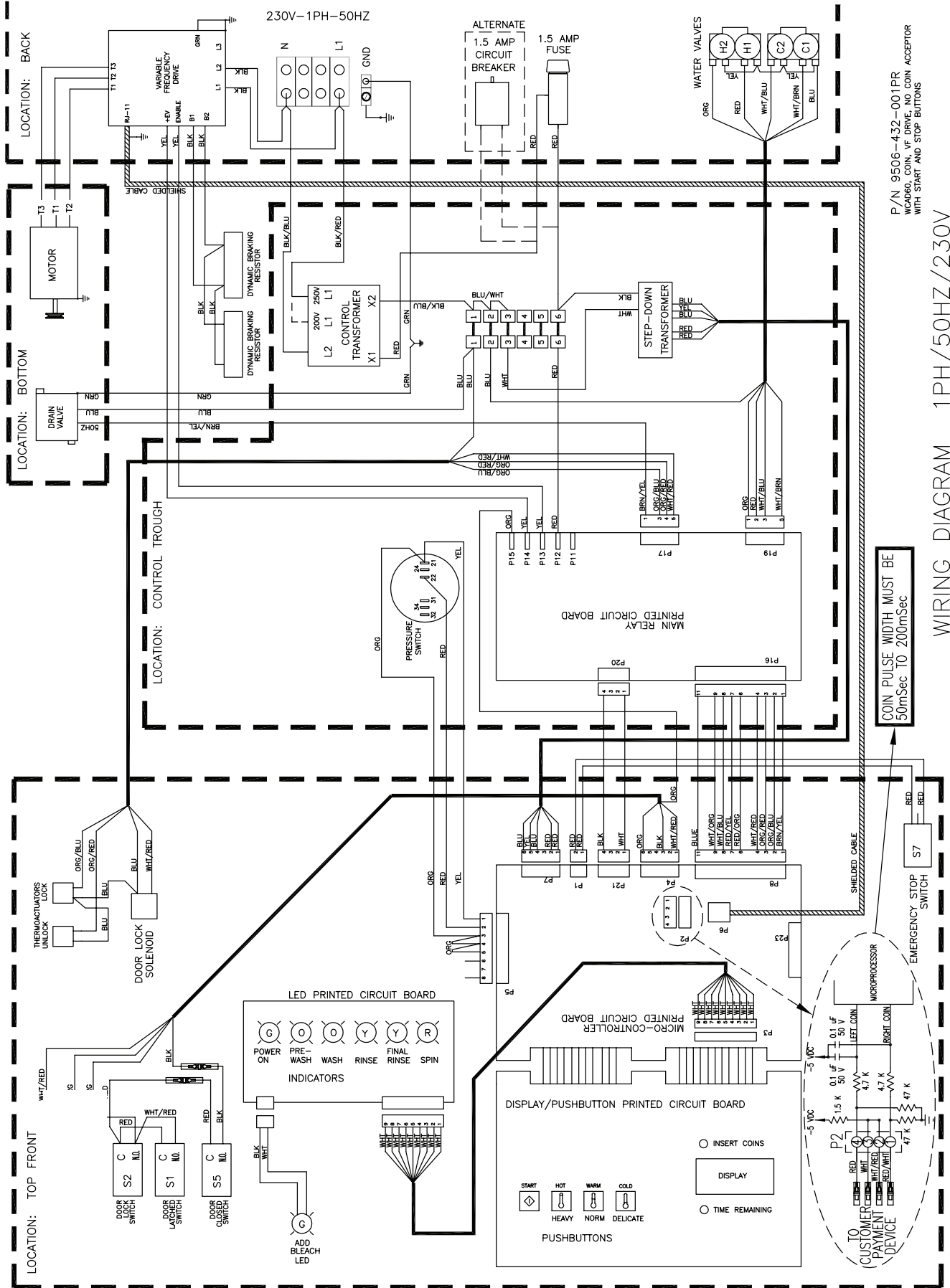
COIN PULSE WIDTH MUST BE 50mSec TO 200mSec

WCAD60KCB -21CN 230/50/1 Voltage Schematic

230V-1PH-50HZ



WCAD60KCB -21CN 230/50/1 Voltage Diagram

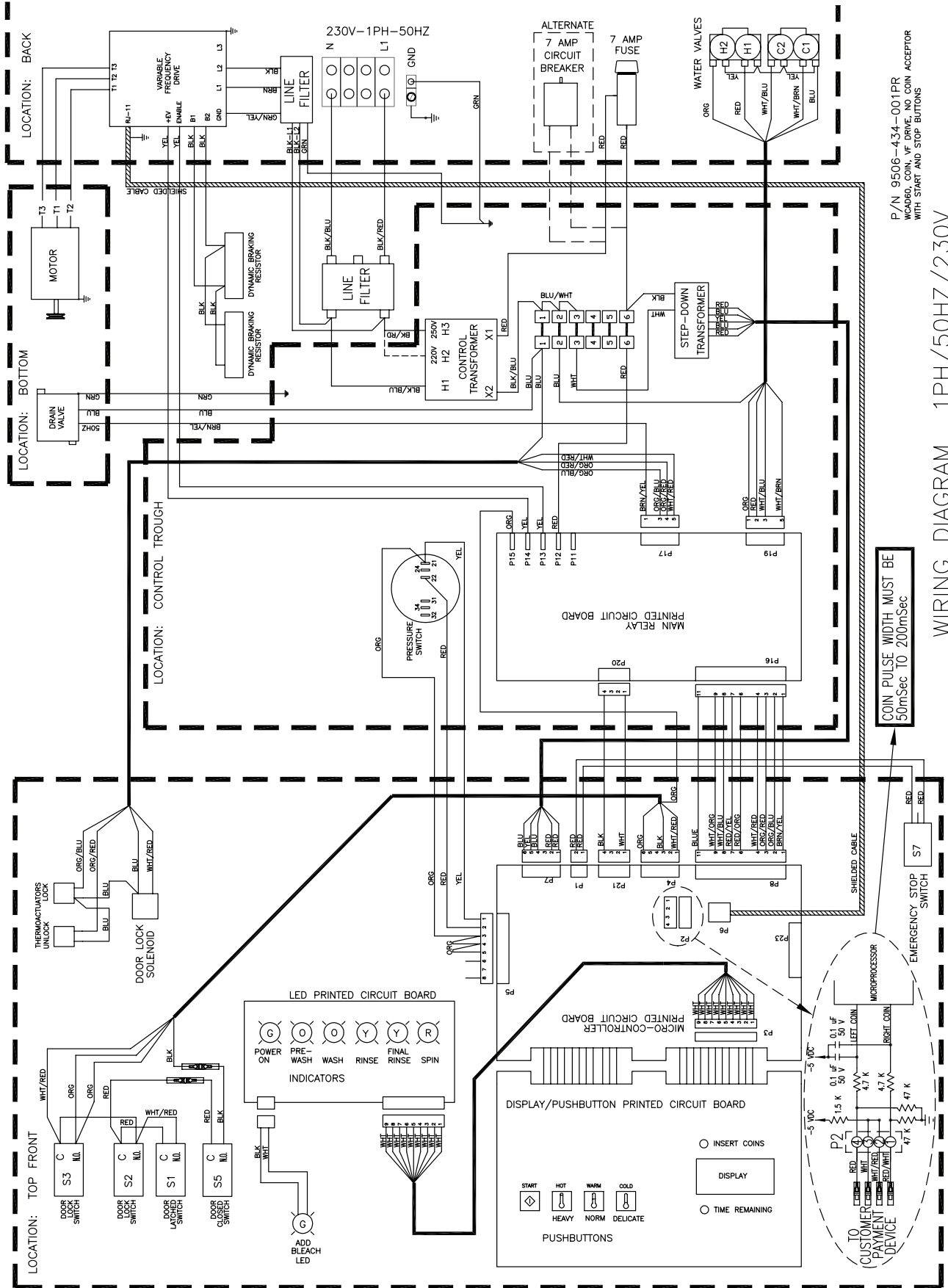


P/N 9506-432-001 PR
 WCAD60C COIN VFD DRIVE, NO COIN ACCEPTOR
 WITH START AND STOP BUTTONS

COIN PULSE WIDTH MUST BE
 50mSec TO 200mSec

WIRING DIAGRAM 1PH/50HZ/230V

WCAD60KCB -59CN 230/50/1 Voltage Diagram



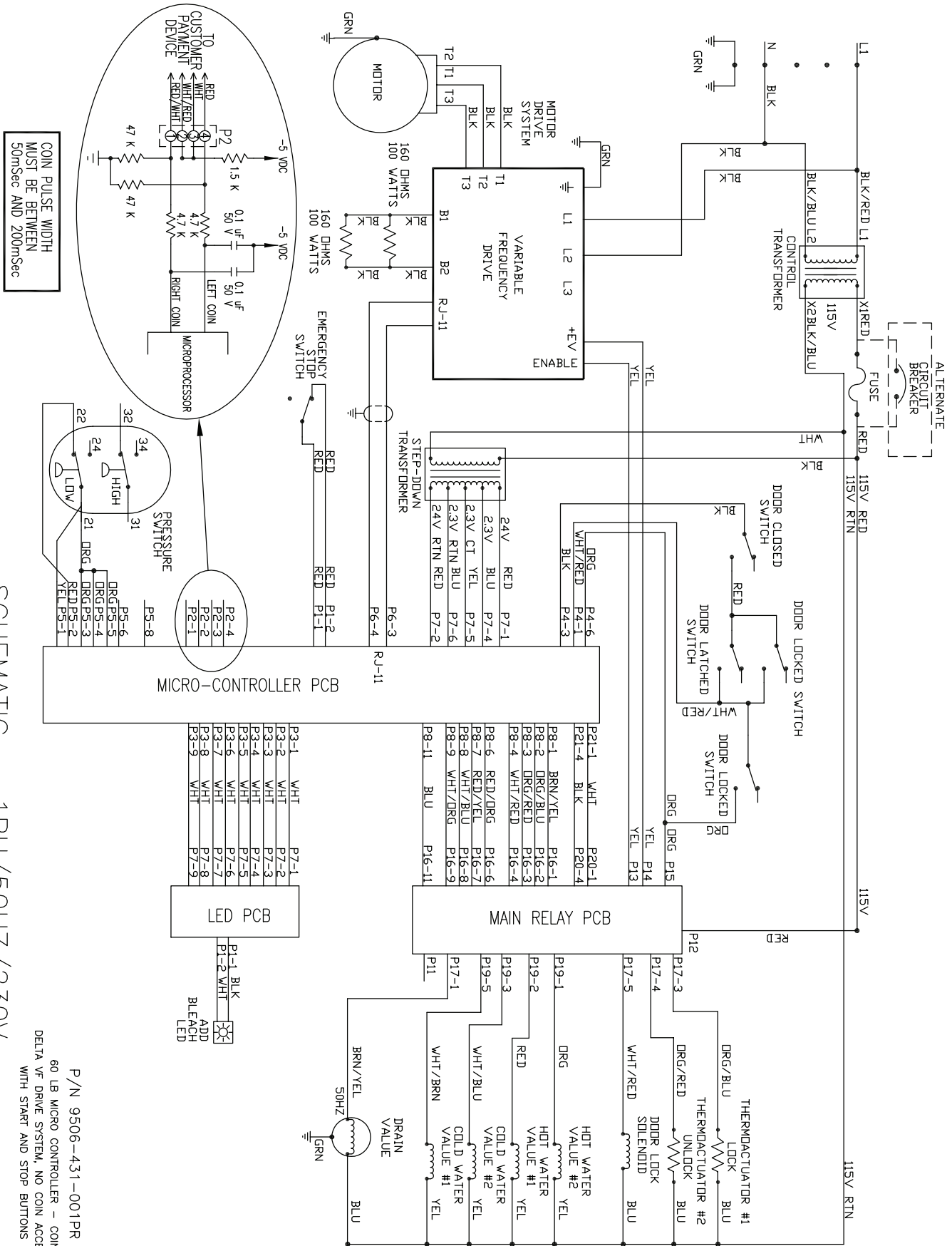
P/N 9506-434-001PR
WCAD60 CON. V.F. DRIVE NO. COIN ACCEPTOR
WITH START AND STOP BUTTONS

WIRING DIAGRAM 1PH/50HZ/230V

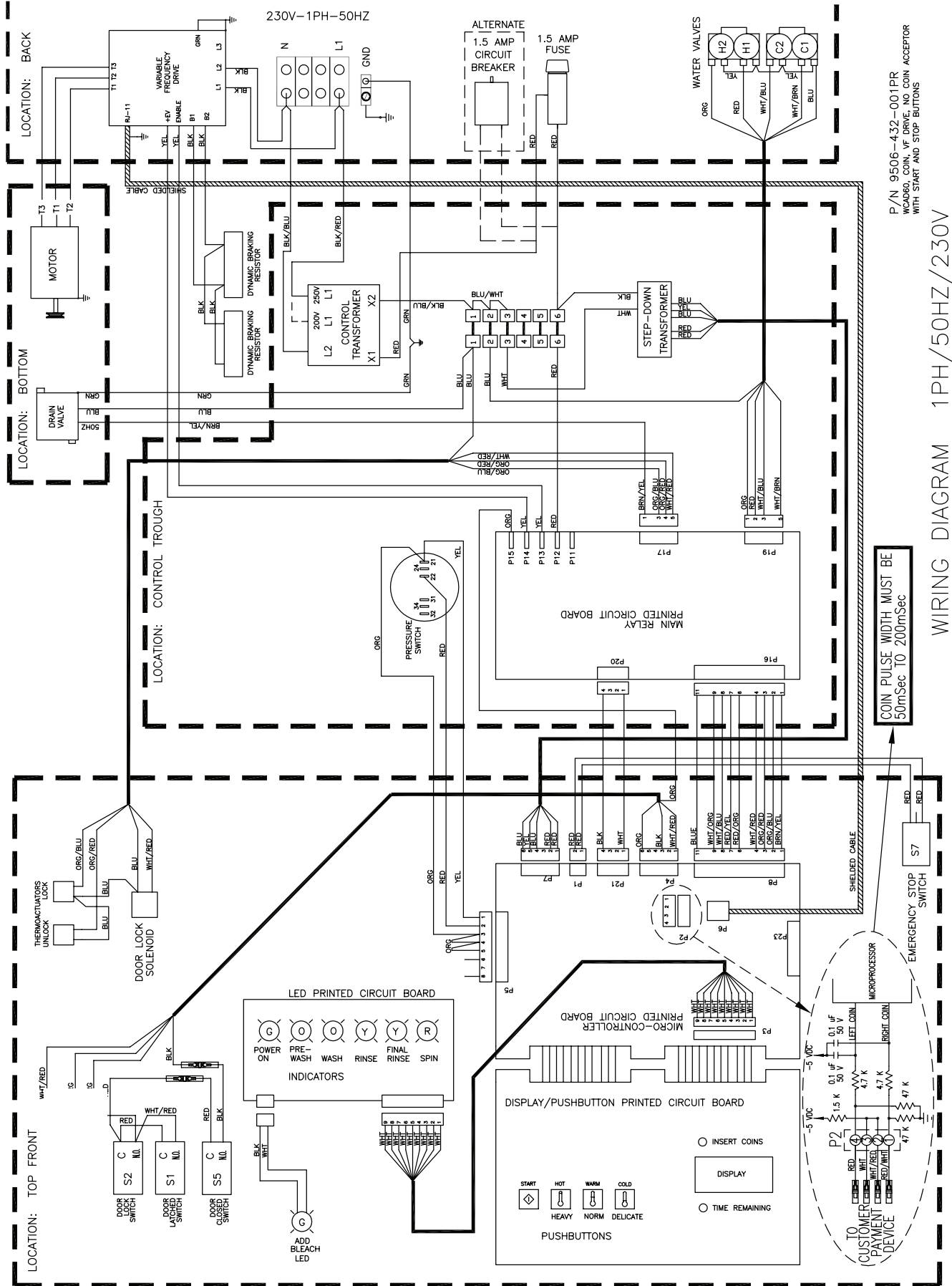
COIN PULSE WIDTH MUST BE
50mSec TO 200mSec

WCAD60KCB -21CNSX 230/50/1 Voltage Schematic

230V-1PH-50HZ



WCAD60KCB -21CNSX 230/50/1 Voltage Diagram



P/N 9506-432-001PR
 WCABQ. COIN VFD DRIVE. NO COIN ACCEPTOR
 WITH START AND STOP BUTTONS

WIRING DIAGRAM 1PH/50HZ/230V

COIN PULSE WIDTH MUST BE
 50mSec TO 200mSec

WCAD60KCB -59CNSX 230/50/1 Voltage Diagram

