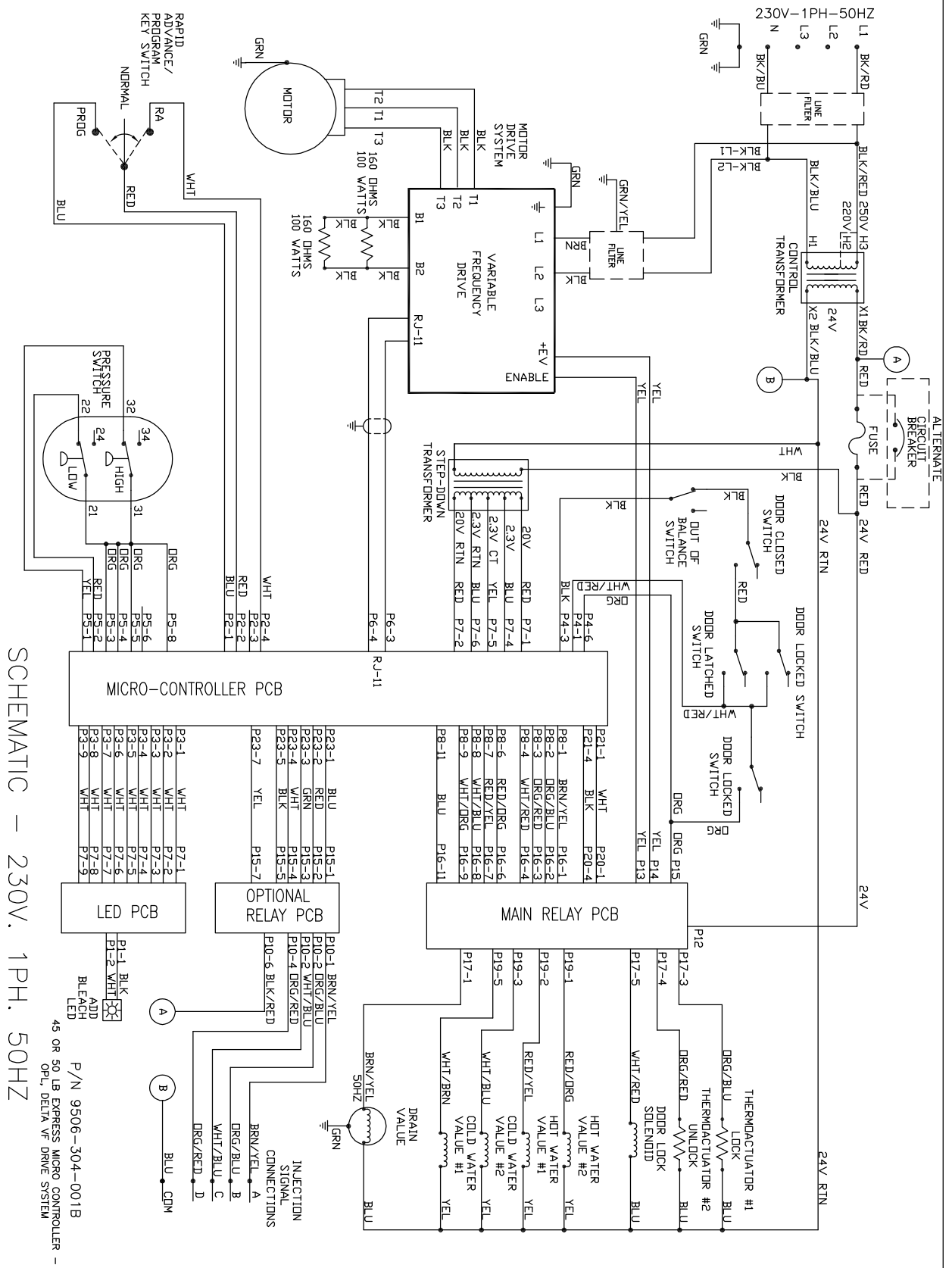


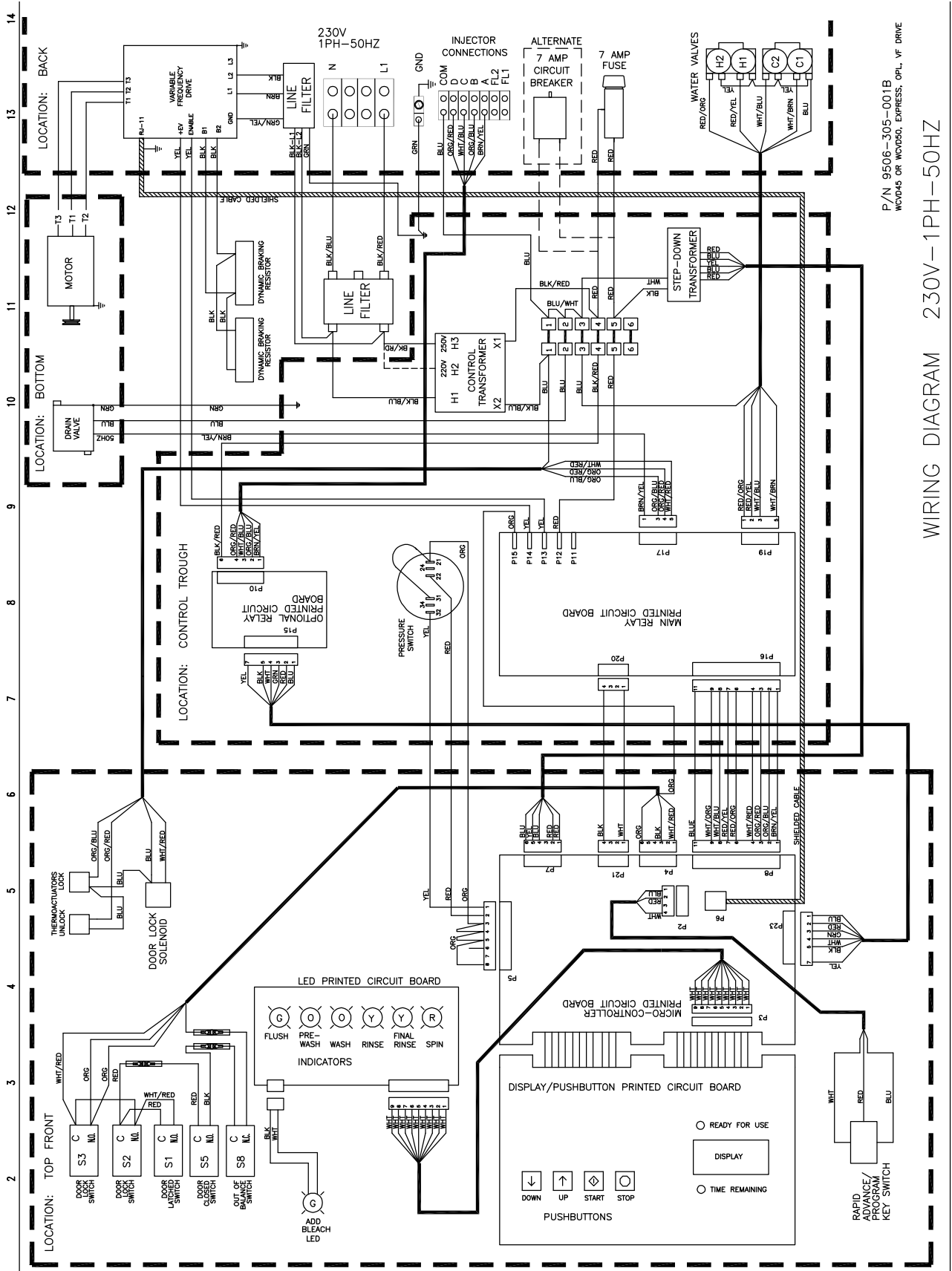
# WCVD50HC\_-59SZ 230/50/1 Voltage Schematic



SCHEMATIC - 230V, 1PH, 50HZ

P/N 9506-304-001B  
 45 OR 50 LB EXPRESS MICRO CONTROLLER -  
 OPT. DELTA VF DRIVE SYSTEM

# WCVD50HC\_-59 230/50/1 Voltage Diagram



P/N 9506-305-001B  
WCVD45 OR WCVD50, EXPRESS, OPL, VF DRIVE

WIRING DIAGRAM 230V-1PH-50HZ