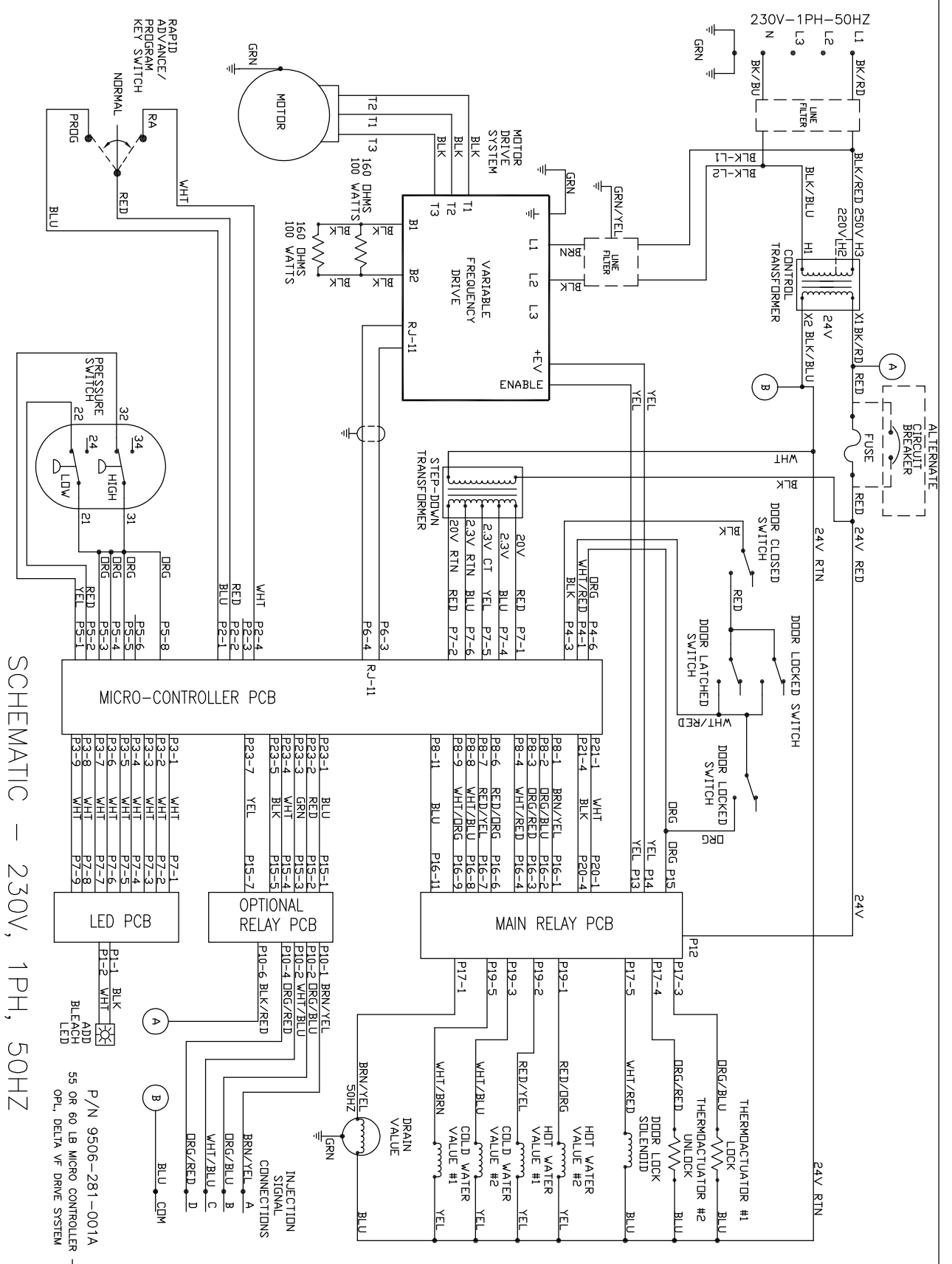


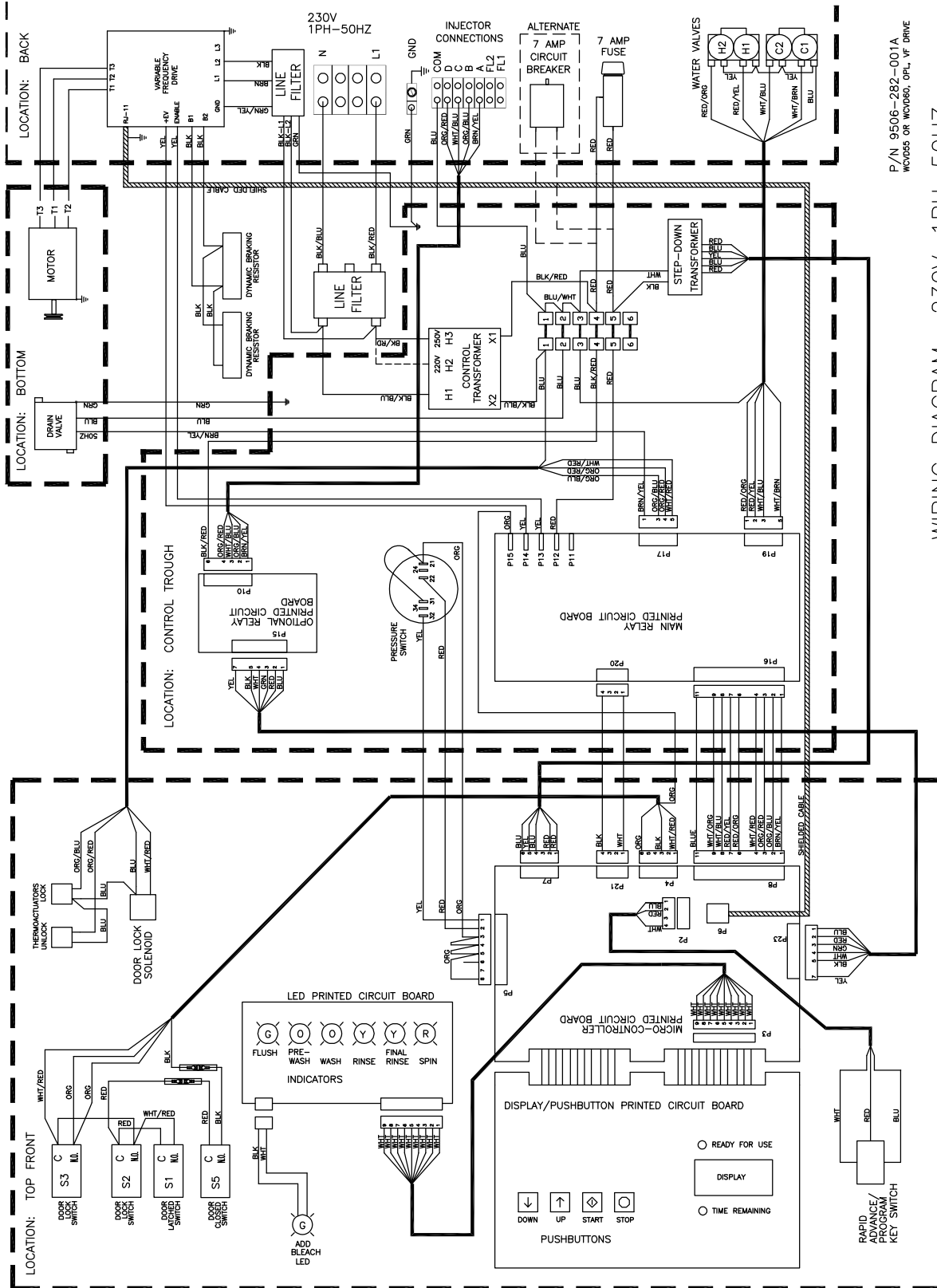
WCVD60HC_-59 230/50/1 Voltage Schematic



SCHEMATIC - 230V, 1PH, 50HZ

P/N 9506-281-001A
55 OR 60 LB MICRO CONTROLLER -
OPL, DELTA VF DRIVE SYSTEM

WCVD60HC_-59 230/50/1 Voltage Diagram



P/N 9506-282-001A
WC085 OR WC086, OPL, VF DRIVE

WIRING DIAGRAM 230V-1PH-50HZ