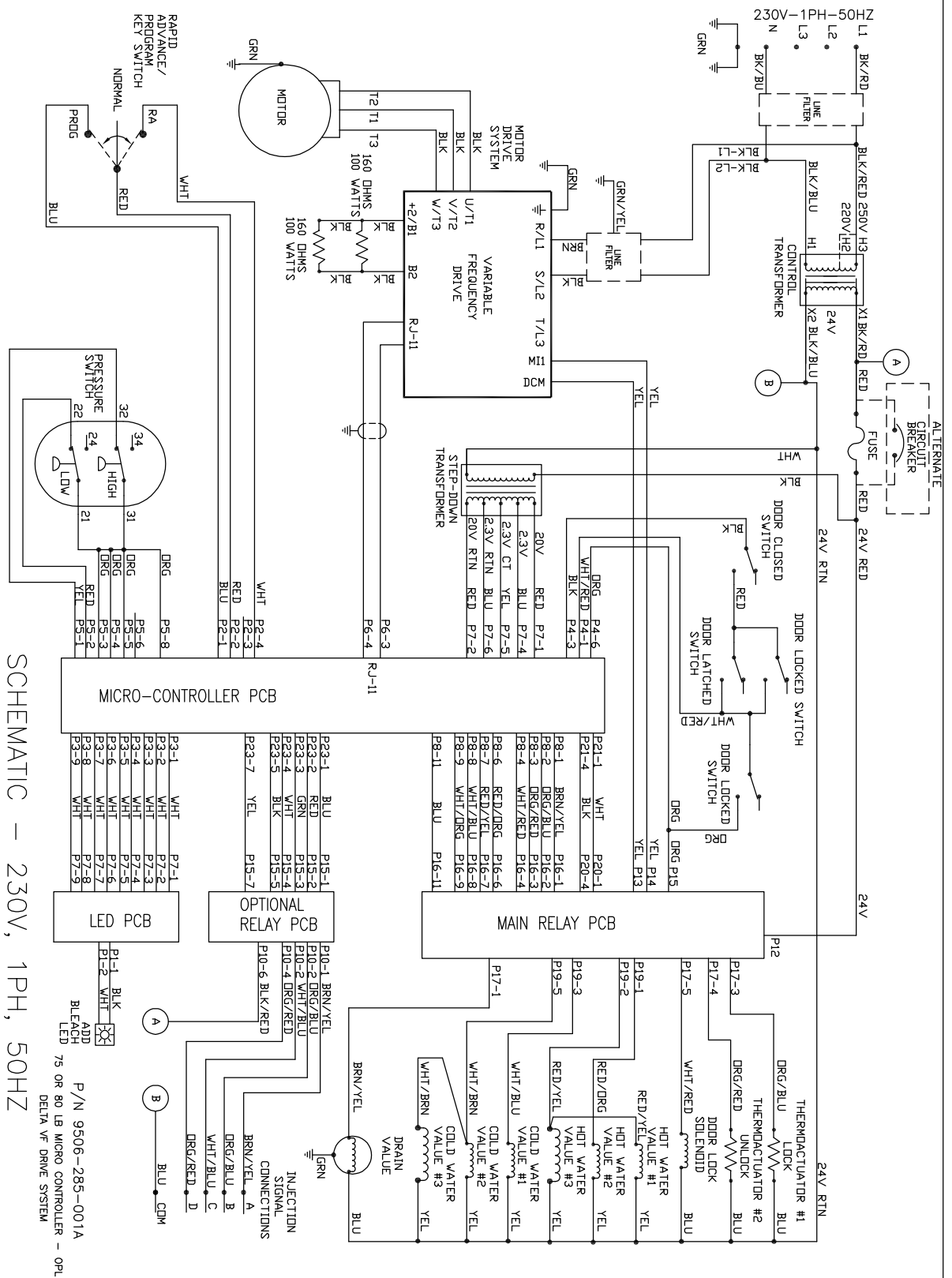
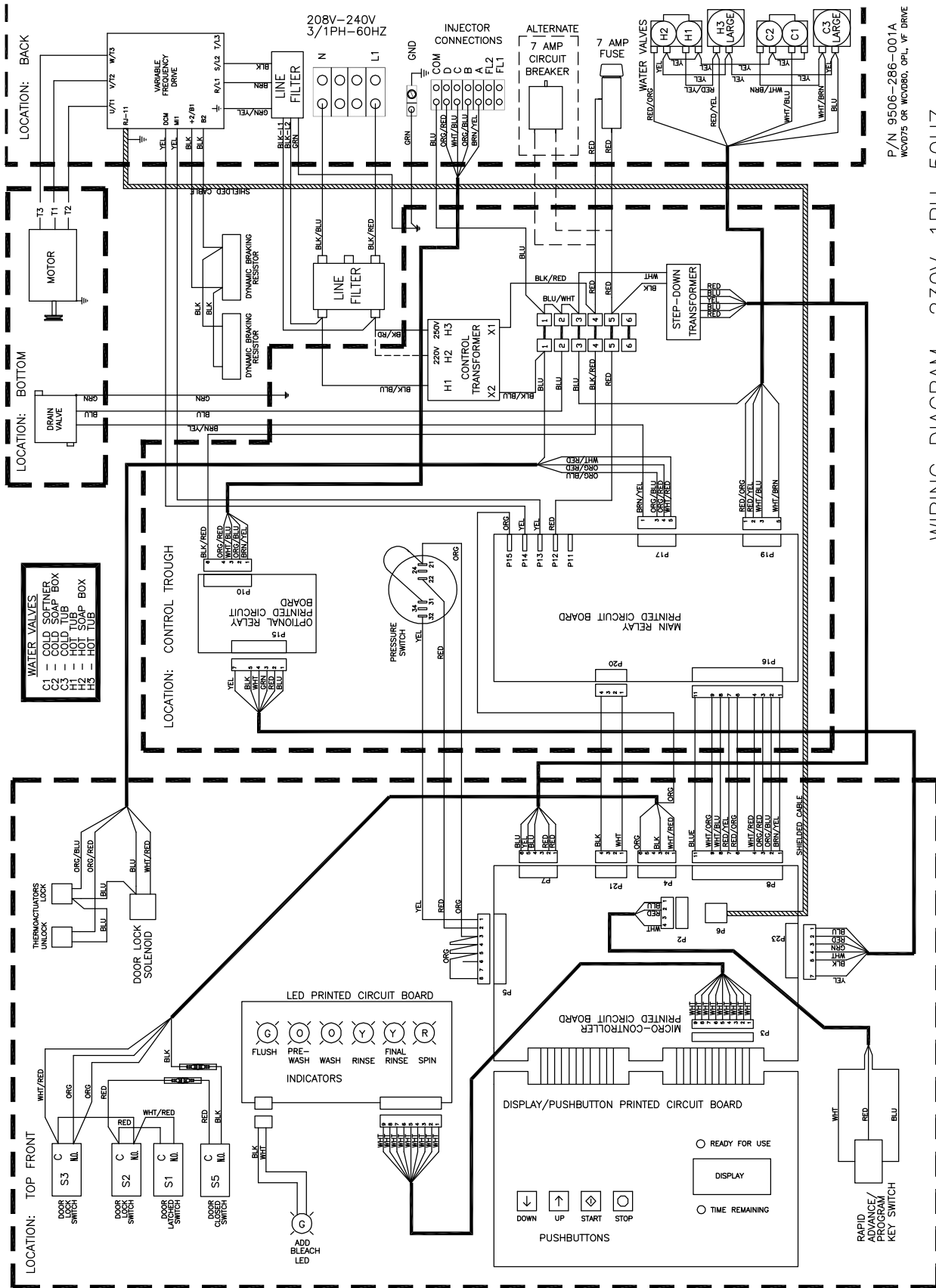


WCVD80HC_-59CN 230/50/1 Voltage Schematic



WCAD80KCB -59CN 230/50/1 Voltage Diagram



P/N 9506-286-001A
WC075 OR WC080, OPT., VF DRIVE

WIRING DIAGRAM 230V-1PH-50HZ