



DEXTER
LAUNDRY

ON-PREMISE LAUNDRY T-30X2 EXPRESS STACK DRYER



T-30X2 EXPRESS STACK DRYER

Dexter On-Premise Stack Dryer

On-premise laundry solutions you can depend on.

Dexter on-premise dryers are engineered to show up for work in even the harshest laundry environments. Featuring flexible controls and high quality materials, these dryers are designed to help you process laundry faster and more efficiently.

When your business depends on clean laundry, choosing the right equipment is an important decision. Our products will provide you the efficiency, flexibility, performance, and durability you need to be confident in your choice. With lifetime technical support and an industry leading 5-year limited warranty, you can be confident that we will stand behind every dryer you invest in.

Contact your Dexter Authorized Distributor today for more details.

EFFICIENT:

Perforated tumblers, balanced radial airflow, and the right amount of air recirculation provide maximum efficiency.

Energy efficient motors reduce electrical usage and save hundreds of dollars over the life of the dryer.

DURABLE:

With heavy-duty bearings in a cast iron bearing housing, Dexter dryers are built to last.

Using proven washer-style technology, welded steel spider assemblies support the tumbler from the rear and eliminate the need for front support rollers.

Formed in tumbler baffles are strong and stable while providing great tumbling action.

RELIABLE:

Our industry leading 5-year warranty covers the trunnion, bearings, and bearing housing.

A 3-year parts warranty covers the rest.

We stand behind every machine you invest in with lifetime technical support.

FLEXIBLE:

Dexter on-premise dryer controls offer adjustable settings and five customizable cycles that provide the power and flexibility needed to fit any laundry.

INSTALLATION:

Stack dryers give you the power of two dryers in a single space.

With a single location for gas, electrical, and venting connections, Dexter stack dryers are easier to install and maintain.

OPTIONS:

Available with stainless steel or galvanized tumblers and white or stainless steel panels.

Choose between gas models or electric models. Propane kits are also available.

T-30X2 EXPRESS STACK DRYER SPECIFICATIONS

Capacity:

Dry Weight Capacity - lb (kg)	2 x 30	(2 x 13.6)
Cylinder Volume (per tumbler) - cu ft (L)	11.3	(320)

Speed:

Tumbler Speed - RPM	47	- - -
Motor Size (per tumbler) - hp (kW)	0.5	(0.38)

Airflow (per tumbler):

60 Hz Model - cfm (M3/min)	600	(17)
50 Hz Model - cfm (M3/min)	500	(14.2)

Dimensions:

Cabinet Height - in (cm)	76 1/4	(193.7)
Cabinet Width - in (cm)	31 1/2	(80)
Cabinet Depth - in (cm)	49 1/2	(125.7)
Door Opening - in (cm)	22 5/8	(57.5)
Floor to Lower Door Bottom - in (cm)	7 5/8	(19.4)
Floor to Upper Door Bottom - in (cm)	45 1/4	(114.9)
Cylinder Diameter - in (cm)	30	(76.2)
Cylinder Depth - in (cm)	27 1/2	(69.9)
Lint Screen Area (per tumbler) - sq in (sq cm)	453	(2923)

Weight:

Net Weight - lb (kg)	719	(326.1)
----------------------	-----	---------

Shipping Information:

Shipping Weight - lb (kg)	765	(347)
Shipping Height - in (cm)	81 1/4	(206.4)
Shipping Width - in (cm)	33	(83.8)
Shipping Depth - in (cm)	57 3/4	(146.7)

Gas Requirements (Gas Models Only):

Gas Supply Connection - in (mm)	1/2	(12.7)
Natural Gas Supply (Water Column) - in (cm)	5-8	(12.7 - 20.3)
LP Gas Supply (Water Column) - in (cm)	11 1/2 - 13 1/2	(29.2 - 34.3)

Gas Usage (Gas Models Only):

60Hz Model (per tumbler) - BTU/hr (kW)	90,000	(26.4)
50Hz Model (per tumbler) - BTU/hr (kW)	74,000	(21.7)

Electrical Requirements:

Gas Models (per stack dryer):

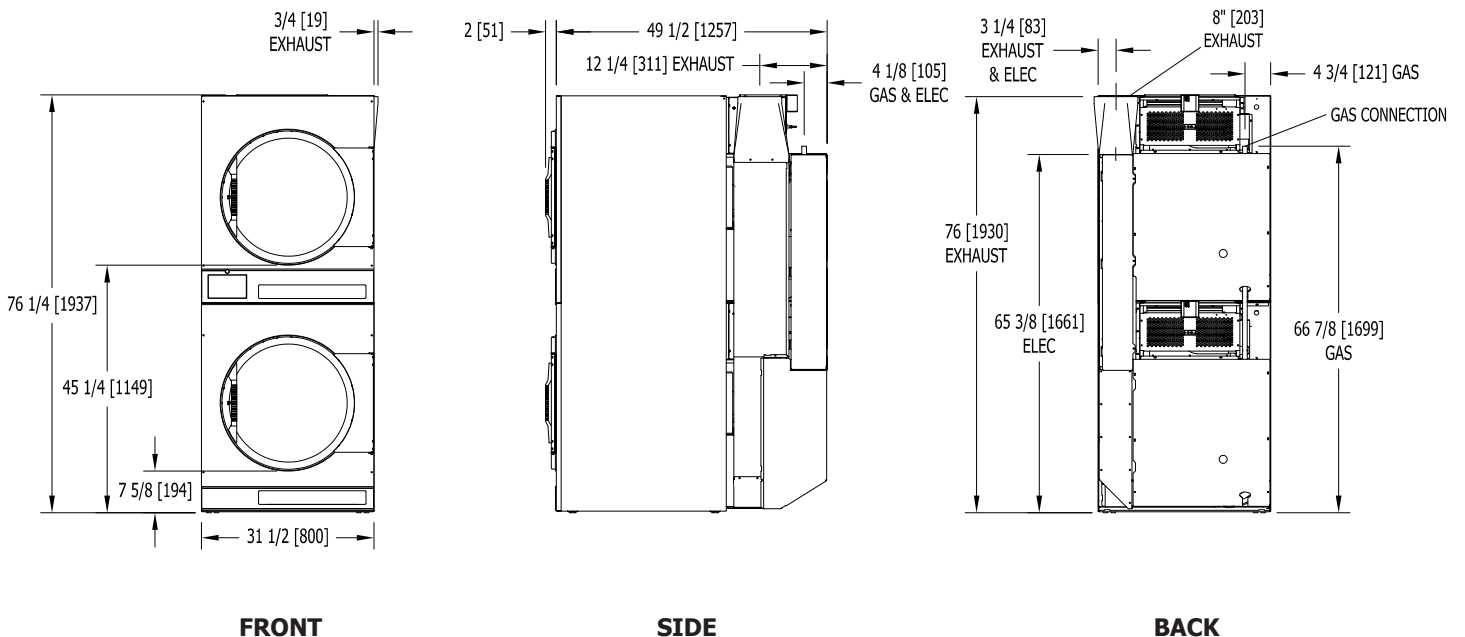
Model	Volts / Hz / Phase / Wiring	Circuit Breaker Amps / Running Amps / Wire Size / Rev
-15	208-240 / 60 / 1 / 2 wire + ground	15 / 5 / #12 / Non-Reversing
-15	120 / 60 / 1 / 2 wire + ground	20 / 8 / #12 / Non-Reversing
-39	230 / 50 / 1 / 2 wire + ground	15 / 10 / 3.5 mm ² / Non-Reversing
-59	230 / 50 / 1 / 2 wire + ground	15 / 10 / 3.5 mm ² / Non-Reversing

Electric Models (per tumbler):

Model	kW / Volts / Hz / Phase / Wiring	Circuit Breaker Amps / Running Amps / Wire Size / Rev
-71	24 / 208 / 60 / 3 / 4 wire + ground	90 / 85 / #2 / Non-Reversing
-74	24 / 240 / 60 / 3 / 4 wire + ground	80 / 75 / #3 / Non-Reversing
-77	20 / 208 / 60 / 1 / 3 wire + ground	125 / 120 / (1/0) / Non-Reversing
-78	20 / 240 / 60 / 1 / 3 wire + ground	110 / 105 / (1/0) / Non-Reversing
-79	24 / 400 / 50 / 3 / 4 wire + ground	50 / 45 / 13.3 mm ² / Non-Reversing

Installation Recommendations:

Minimum Clearance Between Machines - in (cm)	0	(0)
Minimum Clearance Behind Machines - in (cm)	18	(45.7)
Make-Up Air Required (per stack dryer) - sq ft (sq cm)	1.5	(1394)
Exhaust Size - in (cm)	8	(20.3)
Max. Exhaust Back Pressure (Water Column) - in (mm)	0.3	(7.6)
Recommended Exhaust Length - ft (m) & 2 elbows	14	(4.3)



Due to continuous product improvements specifications are subject to change, please consult the installation manual for the most accurate information.
 *Agency approvals vary based on machine configuration. Major approval bodies include ETL, CE, and AGA. Dexter Laundry is ISO 9001:2015 certified.