



VENDED LAUNDRY
T-120 EXPRESS DRYER



T-120 EXPRESS DRYER

Dexter C-Series Dryer

Vended laundry solutions you can depend on.

Dexter C-Series vended dryers are engineered to show up for work in even the harshest laundry environments. Featuring upgraded controls and high quality materials, these fast and efficient dryers are designed to help make you more successful.

A store full of laundry equipment is a big investment and choosing the right equipment is an important decision. Our products will provide you the efficiency, flexibility, performance, and durability you need to be confident in your choice. With lifetime technical support and an industry leading 5-year limited warranty, you can be confident that we will stand behind every dryer you invest in.

Contact your Dexter Authorized Distributor today for more details.

EFFICIENT:

A reversing tumbler feature helps to reduce roping in large loads which in turn significantly decreases dry time.

The anti-wrinkle feature offers an intermittent tumble to keep laundry wrinkle free.

DURABLE:

With heavy-duty bearings in a cast iron bearing housing, Dexter dryers are built to last.

Welded steel spider assemblies support the tumbler from the rear and eliminate the need for front support rollers.

The polished chrome or stainless steel doors and high-quality stainless steel panels keep dryers looking great year after year.

The screw resistant tumbler hole pattern minimizes tumbler damage.

RELIABLE:

Our industry leading 5-year warranty covers the trunnion, bearings, and bearing housing.

A 3-year parts warranty covers the rest.

We stand behind every machine you invest in with lifetime technical support.

PROFITABLE:

Every Dexter machine is now easier to use with a common user interface on all products, multiple language options, and detailed customer prompts.

C-Series controls work with DexterLive.com to allow you to create custom programs that fit your business.

A variety of PLUS cycle features and promotion options will help you maximize revenue generation.

INSTALLATION:

The top panels and burner housing can be removed and reassembled for installations with low clearance.

To allow for easy installation this model can use both 10" and 12" exhaust ducts.

The hinged lower service door makes cleaning the lint screen quick and easy.

OPTIONS:

This dryer is a reversing model.

Available with blue or black graphics, chrome or stainless steel doors, white or stainless steel panels and galvanized tumblers.

Your dryers can be shipped with coin acceptors or payment system ready.

Gas models, with propane kits available.

Dexter C-Series dryers are available in 30lb, 50lb, 80lb and 120lb capacities.

EMPLOYEE OWNED | MADE IN THE USA | SINCE 1894

DEXTER.COM

2211 WEST GRIMES AVENUE, FAIRFIELD, IOWA 52556 USA

1.800.524.2954

T-120 EXPRESS DRYER SPECIFICATIONS

Capacity:

Dry Weight Capacity - lb (kg)	120	(54.4)
Cylinder Volume - cu ft (L)	36.1	(1022.2)

Speed:

Tumbler Speed - RPM	36.5	---
Motor Size - 60 Hz Models - hp (kW)	1 & 1	(0.75 & 0.75)
Motor Size - 50 HZ Models - hp (kW)	1 & 0.75	(0.75 & 0.56)

Airflow:

60 Hz Model - cfm (M3/min)	1250 / 1450	(35.4 / 41.4)
50 Hz Model - cfm (M3/min)	1000	(28.3)

Dimensions:

Cabinet Height - in (cm)	85 5/16	(216.7)
Cabinet Width - in (cm)	46 3/4	(188.7)
Cabinet Depth - in (cm)	60 3/16	(152.9)
Door Opening - in (cm)	30	(76.2)
Floor to Door Bottom - in (cm)	34	(86.4)
Cylinder Diameter - in (cm)	43	(109.2)
Cylinder Depth - in (cm)	43	(109.2)
Lint Screen Area - sq in (sq cm)	862	(5561)

Weight:

Net Weight - lb (kg)	1075	(487.6)
----------------------	------	---------

Shipping Information:

Shipping Weight - lb (kg)	1122	(508.9)
Shipping Height - in (cm)	88 3/8	(224.5)
Shipping Width - in (cm)	48 1/4	(122.6)
Shipping Depth - in (cm)	68 1/2	(174)

Gas Requirements (Gas Models Only):

Gas Supply Connection - in (mm)	3/4	(19.1)
Natural Gas Supply (Water Column) - in (cm)	5-8	(12.7 - 20.3)
LP Gas Supply (Water Column) - in (cm)	11 1/2- 13 1/2	(29.2 - 34.3)

Gas Usage (Gas Models Only):

60Hz Model - BTU/hr (kW)	320,000	(93.8)
50Hz Model - BTU/hr (kW)	300,000	(87.9)

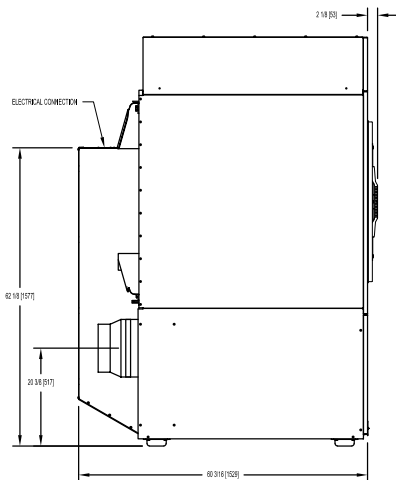
Electrical Requirements:

Gas Models:

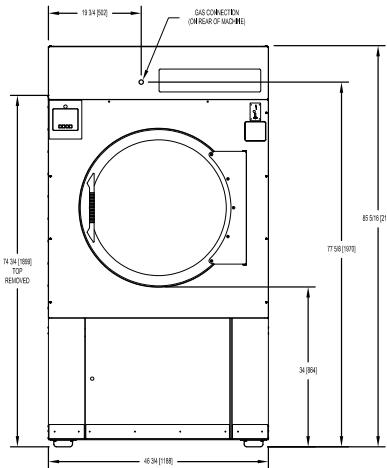
Model	Volts / Hz / Phase / Wiring	Circuit Breaker Amps / Running Amps / Wire Size / Reversing
-10	120 / 60 / 1 / 2 wire + ground	25 / 15 / #12 / Reversing
-39	230 / 50 / 1 / 2 wire + ground	20 / 10 / 3.5 mm ² / Reversing

Installation Recommendations:

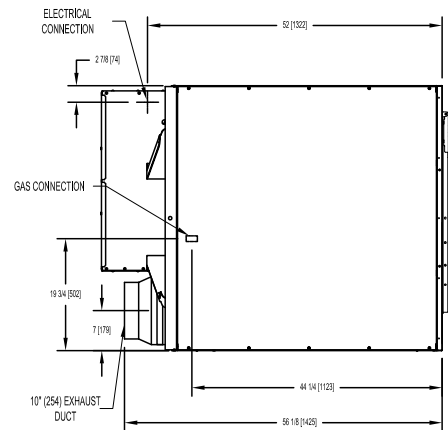
Minimum Clearance Between Machines - in (cm)	0	(0)
Minimum Clearance Behind Machines - in (cm)	18	(45.7)
Make-Up Air Required - sq ft (sq cm)	2.25	(2090)
Exhaust Size - in (cm)	10 or 12	(25.4 or 30.5)
Max. Exhaust Back Pressure (Water Column) - in (mm)	0.3	(7.6)
Recommended Exhaust Length - ft (m) & 2 elbows	14	(4.3)



SIDE



FRONT



TOP