



T-1800 WASHER

Dexter C-Series Washer

Vended laundry solutions you can depend on.

Dexter C-Series washers are engineered to show up for work in even the harshest laundry environments. Featuring upgraded controls, next generation components, and high quality materials, each C-Series washer is designed to help make you more successful.

A store full of laundry equipment is a big investment and choosing the right equipment is an important decision. Our products will provide you the efficiency, flexibility, performance, and durability you need to be confident in your choice. With lifetime technical support and an industry leading 10-year limited warranty, you can be confident that we will stand behind every washer you invest in.

Contact your Dexter Authorized Distributor today for more details.

DURABLE:

With heavy-duty bearings in a cast iron bearing housing, a welded steel spider and shaft, and a rugged frame design that has been proven over two decades, Dexter washers are built to last.

Every model is designed to withstand our 1,000 hour out-of-balance test.

The polished chrome doors and high-quality stainless steel tub, cylinder, top, and front keep washers looking great year after year.

RELIABLE:

Our industry leading 10-year warranty covers the frame, tub, cylinder, shaft, seals, bearings, and bearing housing.

A 3-year parts warranty covers the rest.

We stand behind every machine you invest in with lifetime technical support.

EFFICIENT:

An electronic pressure sensor offers a range of water level options to increase efficiency and help save on water expenses.

Next generation inverter drives lower electrical usage, improve performance, and extend the life of the motor.

Standard 100 g-force extraction removes more water and enhances customer turnover with great wash performance.

INSTALLATION:

Adjustable final extract speeds and other customizable options allow Dexter washers to fit almost any installation.

PROFITABLE:

Every Dexter machine is now easier to use with a common user interface on all products, multiple language options, and detailed customer prompts.

C-Series controls work with DexterLive.com to allow you to create custom programs that fit your business.

A variety of PLUS cycle features and promotion options will help you maximize revenue generation.

OPTIONS:

Available with blue or black graphics.

Your washers can be shipped with coin acceptors or payment system ready.

Dexter C-Series 100G washers are available in 20lb, 30lb, 40lb, 60lb, 80lb, and 120lb capacities.

T-1800 WASHER SPECIFICATIONS

Capacity:

Dry Weight Capacity - lb (kg)	120	(54.4)
Cylinder Volume - cu ft (L)	17.4	(492.7)

Speed:

High Extract Speed - g (RPM)	100	(436)
Intermediate Extract Speed - g (RPM)	60	(338)
Washing Speed - g (RPM)	0.9	(39)
Motor Size - hp (kW)	7.8	(5.8)

Dimensions:

Cabinet Height - in (cm)	62 3/8	(158.4)
Cabinet Width - in (cm)	41 1/2	(105.4)
Cabinet Depth - in (cm)	48 1/4	(122.6)
Door Opening - in (cm)	19 1/4	(48.9)
Floor to Door Bottom - in (cm)	19 5/16	(49.1)
Cylinder Diameter - in (cm)	37	(94)
Cylinder Depth - in (cm)	28	(71.1)

Weight:

Net Weight - lb (kg)	1415	(641.8)
----------------------	------	---------

Shipping Information:

Shipping Weight - lb (kg)	1460	(662.2)
Shipping Height - in (cm)	69 1/4	(175.9)
Shipping Width - in (cm)	43 1/8	(109.5)
Shipping Depth - in (cm)	54	(137.2)

Water Requirements:

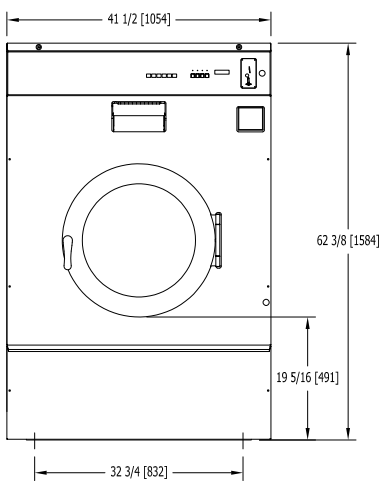
Water Inlet Size - in (mm)	3/4	(19)
Pressure (min/max) - psi (kPa)	30-120	(207-827)
Flow Rate Per Valve - gal/min (L/min)	9 & 12	(34 & 45)
Approximate Water Usage (per cycle) - gal (L)	95.6	(361.9)
Drain Diameter (O.D.) - in (cm)	3	(7.6)
Floor to Center of Drain - in (cm)	8 5/16	(21.1)

Electrical Requirements:

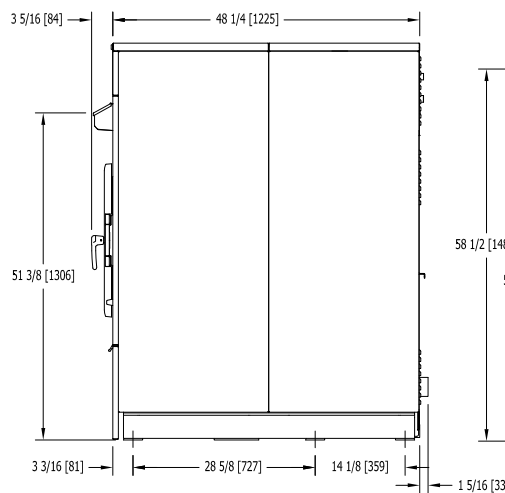
Model	Volts / Hz / Phase / Wiring	Circuit Breaker Amps / Running Amps / Wire Size
-12	208-240 / 60 / 1 / 2 wire + ground	30 / 16.6 / #10
-12	208-240 / 60 / 3 / 3 wire + ground	30 / 16.6 / #10
-39	230 / 50 / 1 / 2 wire + ground	30 / 16.6 / 5.3 mm ²

Installation Recommendations:

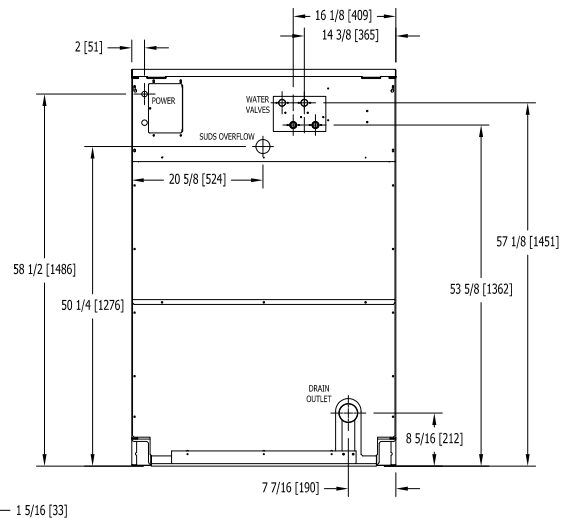
Minimum Clearance Between Machines - in (cm)	1/2	(1.3)
Minimum Clearance Behind Machines - in (cm)	24	(61)
Minimum Concrete Thickness - in (cm)	12	(30.5)



FRONT



SIDE



BACK