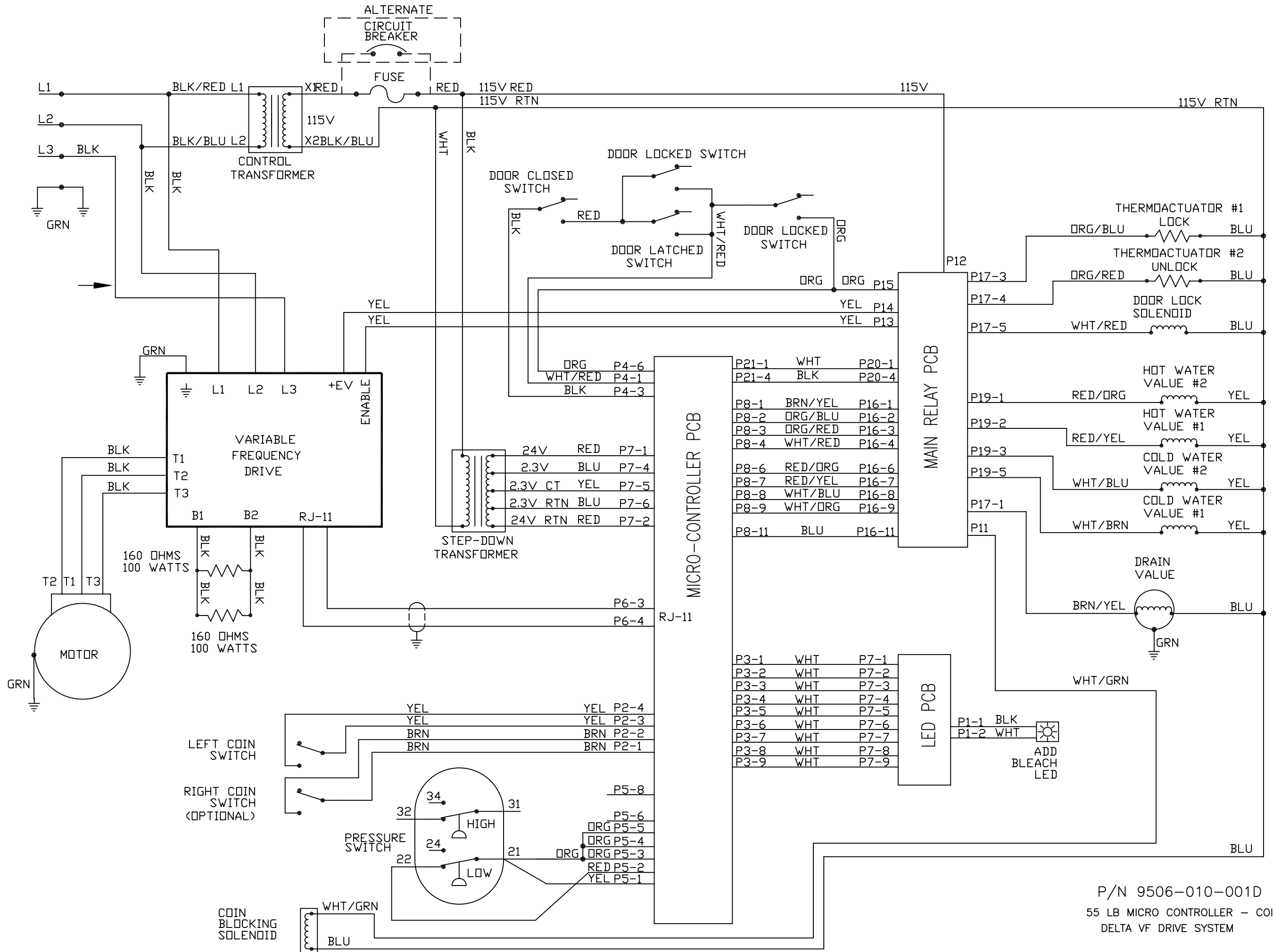


208-240V-3PH OR 1PH-60HZ



P/N 9506-010-001D
 55 LB MICRO CONTROLLER - COIN
 DELTA VF DRIVE SYSTEM