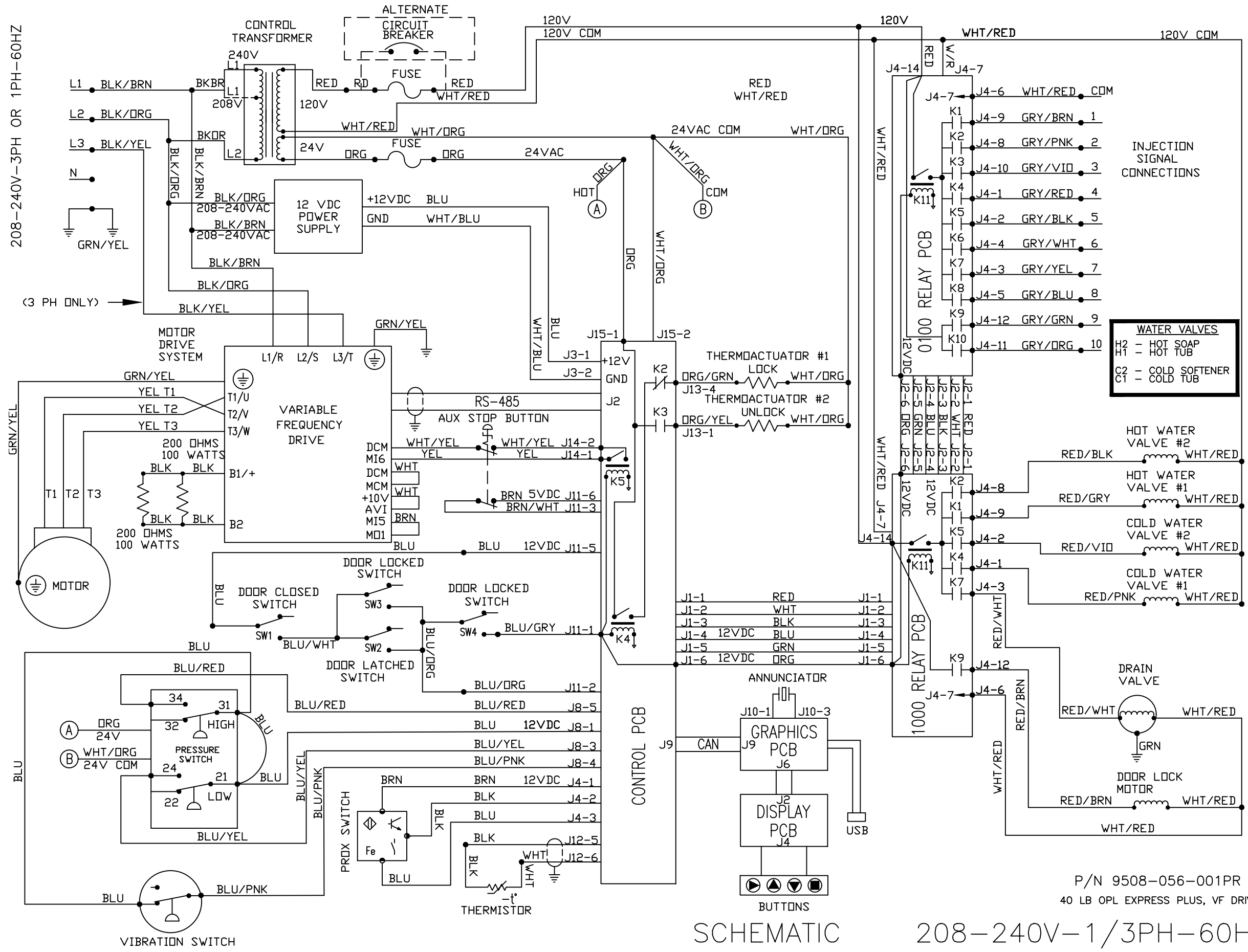


WIRING DIAGRAM 208 - 240V, 1/3PH, 60HZ

P/N 9507-056-001PR  
 40 LB OPL EXPRESS PLUS, VF DRIVE  
 WN0675X-12\_02X-\_\_\_\_-\_\_X



P/N 9508-056-001PR  
 40 LB OPL EXPRESS PLUS, VF DRIVE

208-240V-1/3PH-60HZ