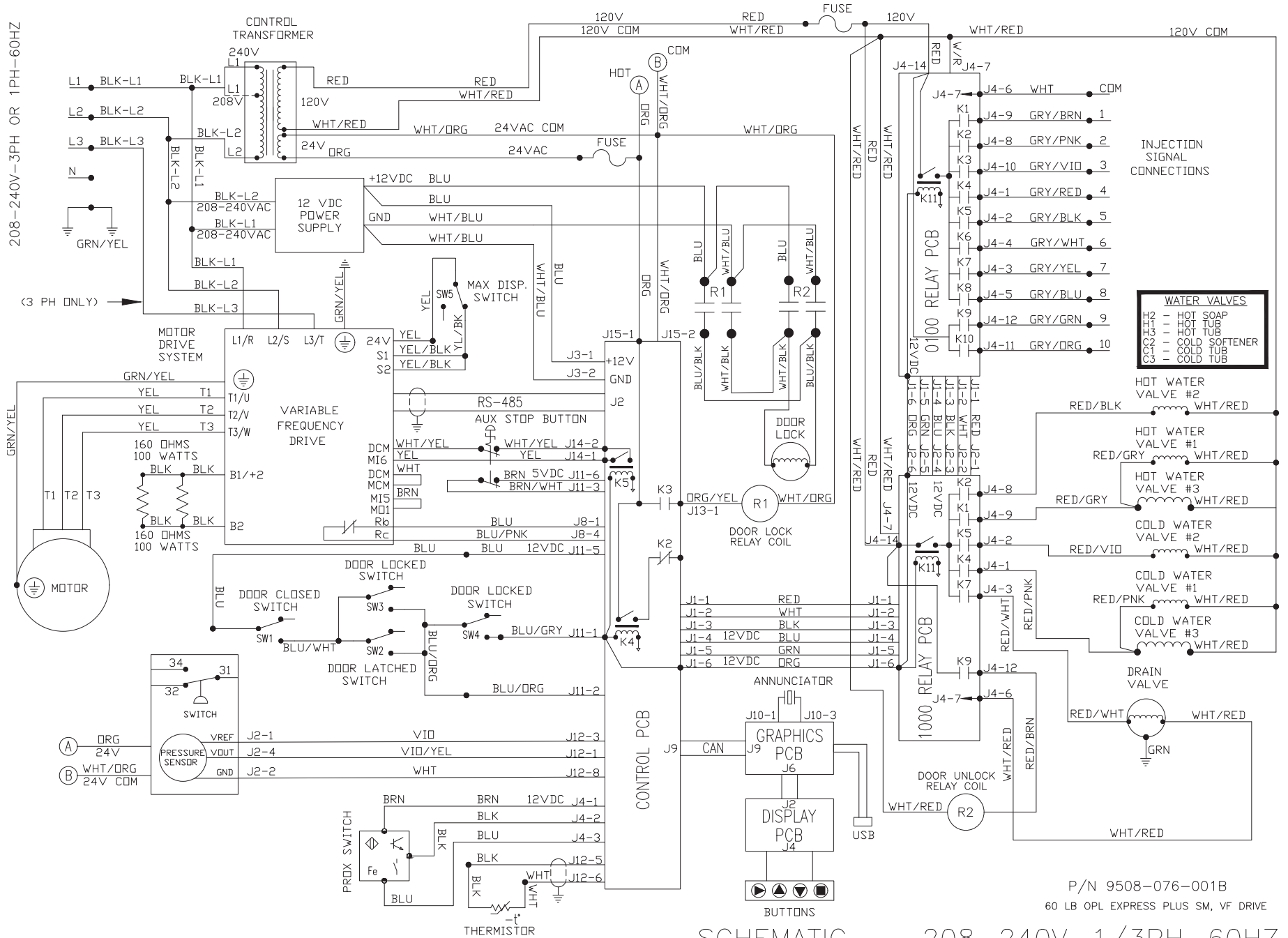


WIRING DIAGRAM 208 - 240V, 1/3PH, 60HZ

P/N 9507-076-001B  
 60 LB OPL EXPRESS PLUS SM, VF DRIVE  
 WS0975X-12\_0\_X-\_-\_-\_-\_-X

208-240V-3PH OR 1PH-60HZ



SCHEMATIC

208-240V-1/3PH-60HZ