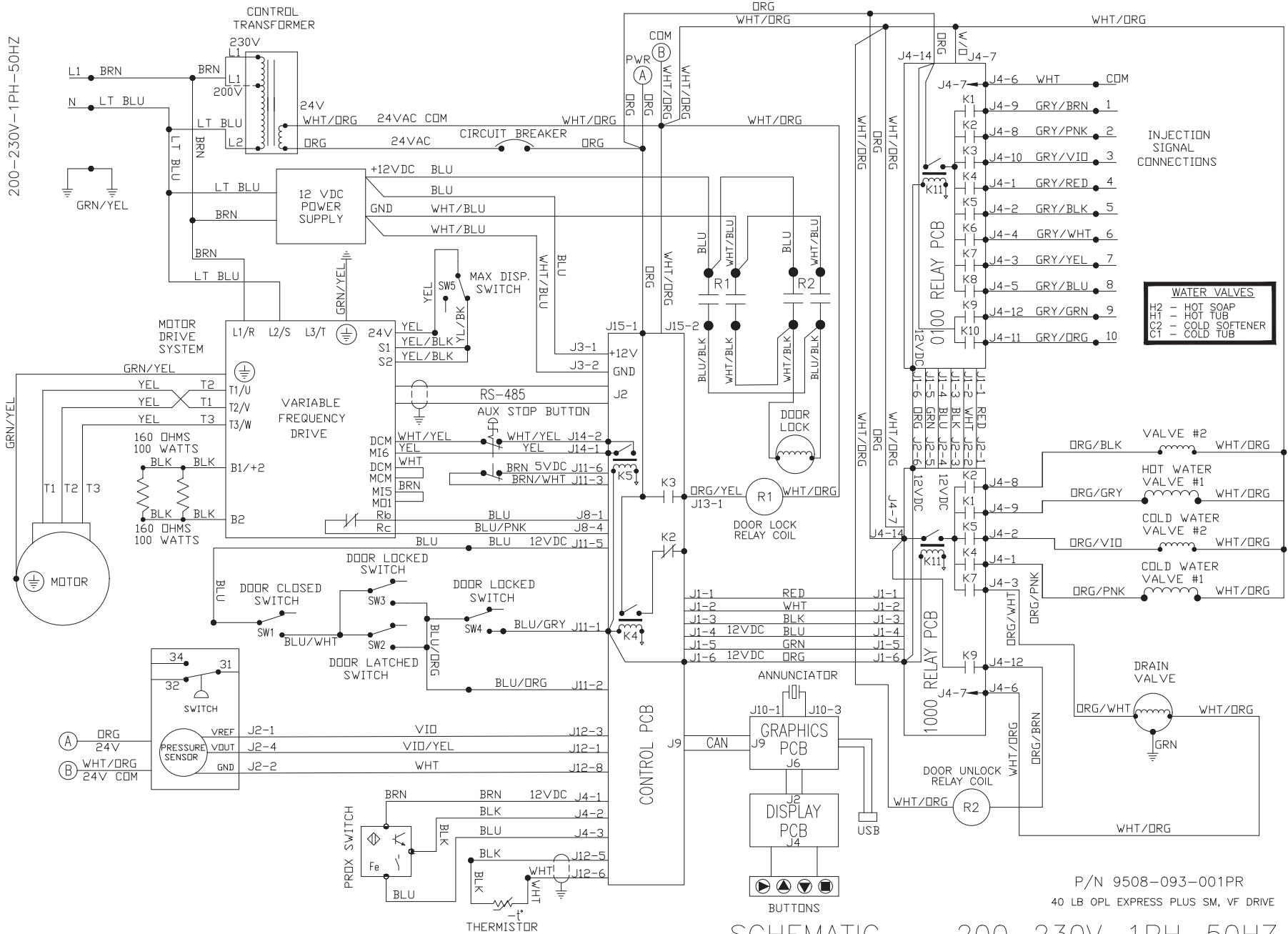


WIRING DIAGRAM 200 - 230V, 1PH, 50HZ

P/N 9507-093-001PR  
 40 LB OPL EXPRESS PLUS SM, VF DRIVE  
 WS0675X\_-39\_0\_X-\_\_\_\_\_-X

200-230V-1PH-50HZ



SCHMATIC

200-230V-1PH-50HZ

P/N 9508-093-001PR  
 40 LB OPL EXPRESS PLUS SM, VF DRIVE