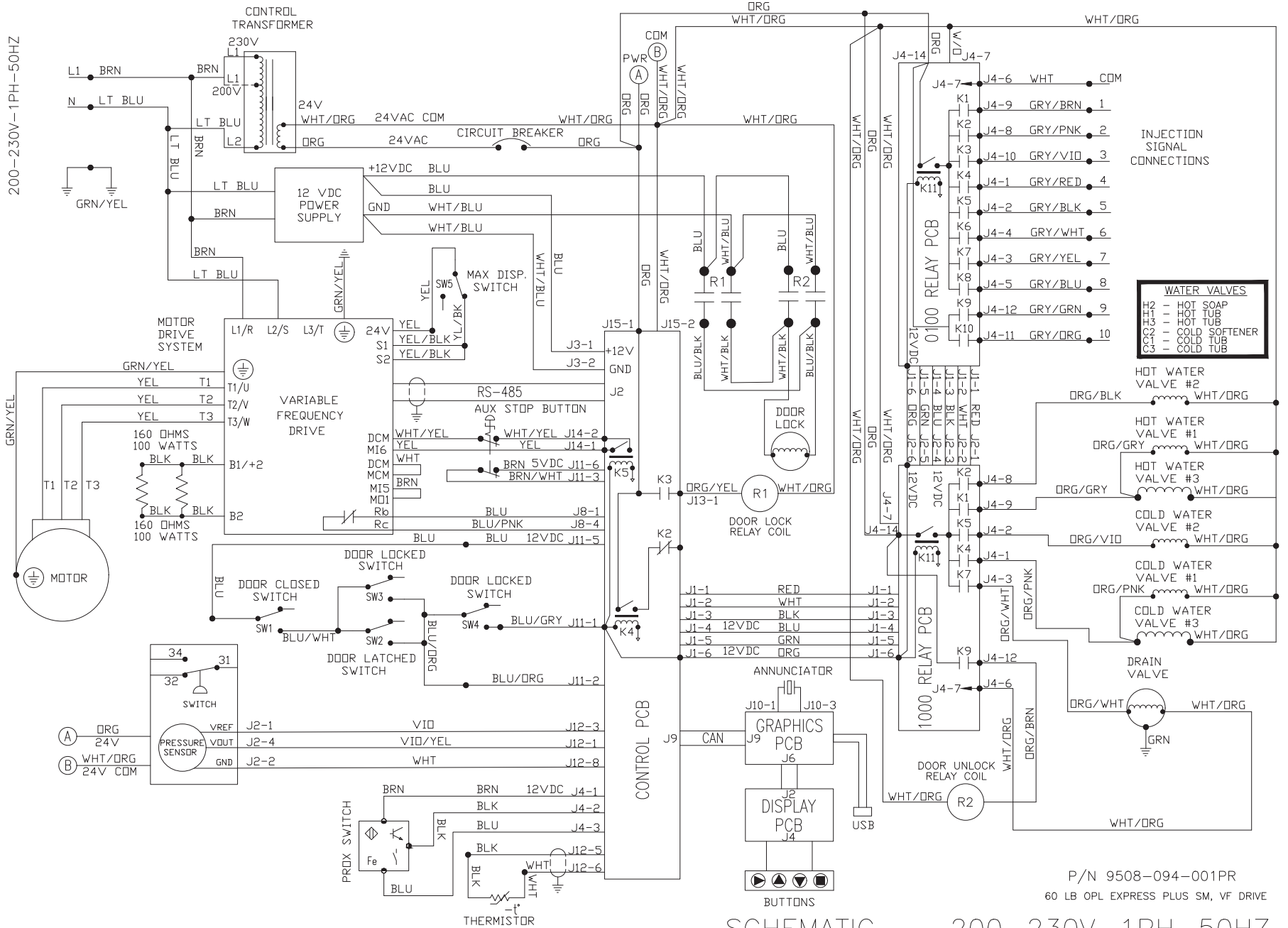


WIRING DIAGRAM 200 - 230V, 1PH, 50HZ

P/N 9507-094-001PR
 60 LB OPL EXPRESS PLUS SM, VF DRIVE
 WSD975X_-39_0_X-____X_X

200-230V-1PH-50HZ



SCHEMATIC

200-230V-1PH-50HZ

P/N 9508-094-001PR
60 LB OPL EXPRESS PLUS SM, VF DRIVE