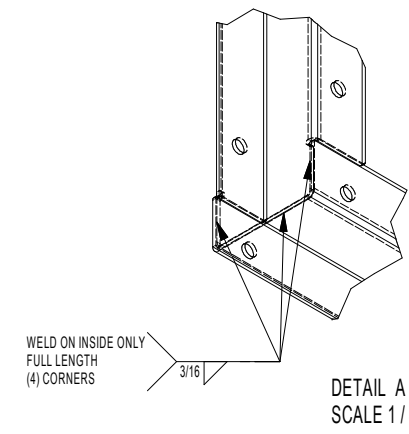
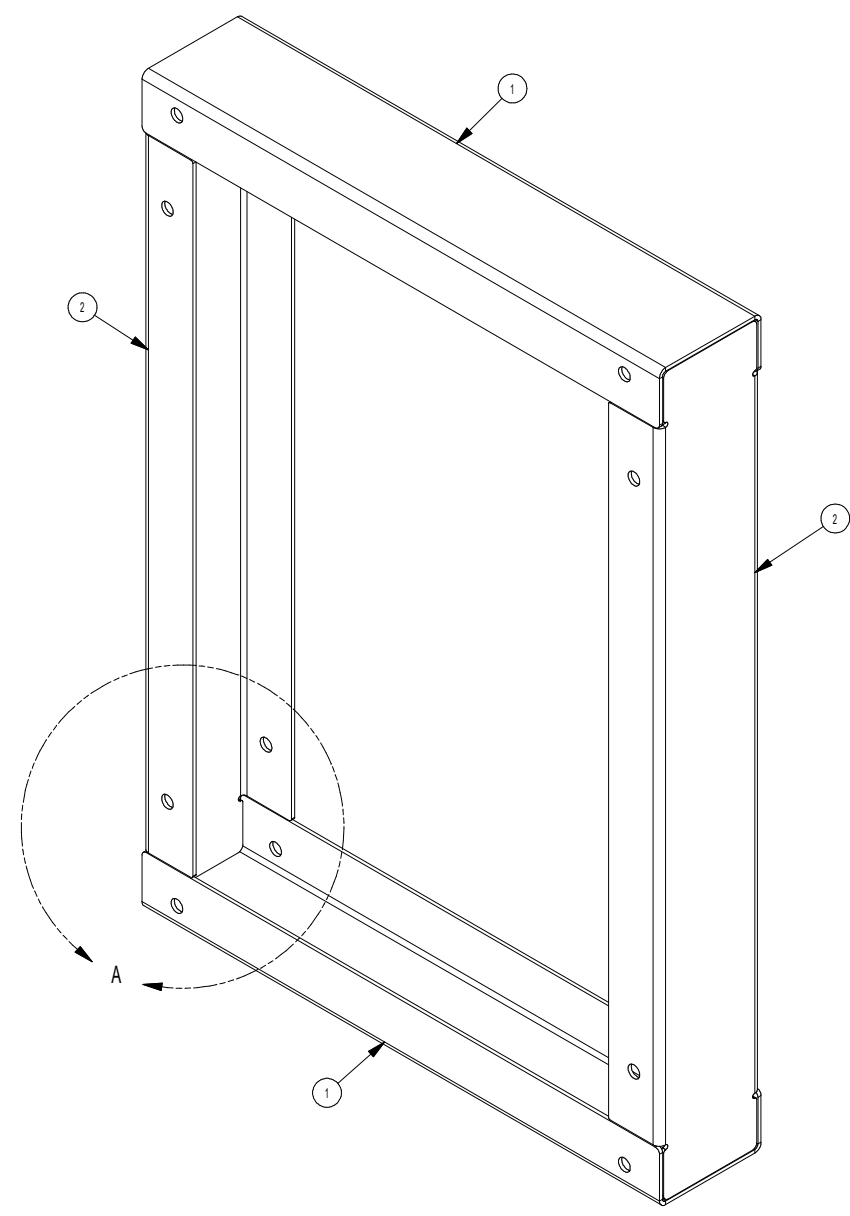
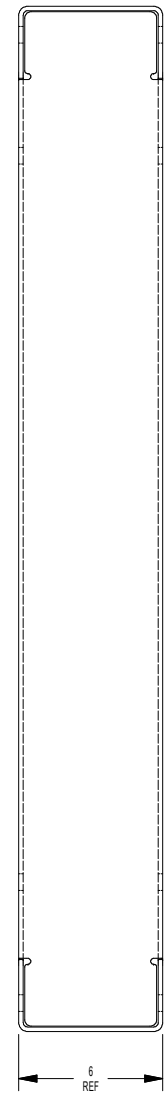
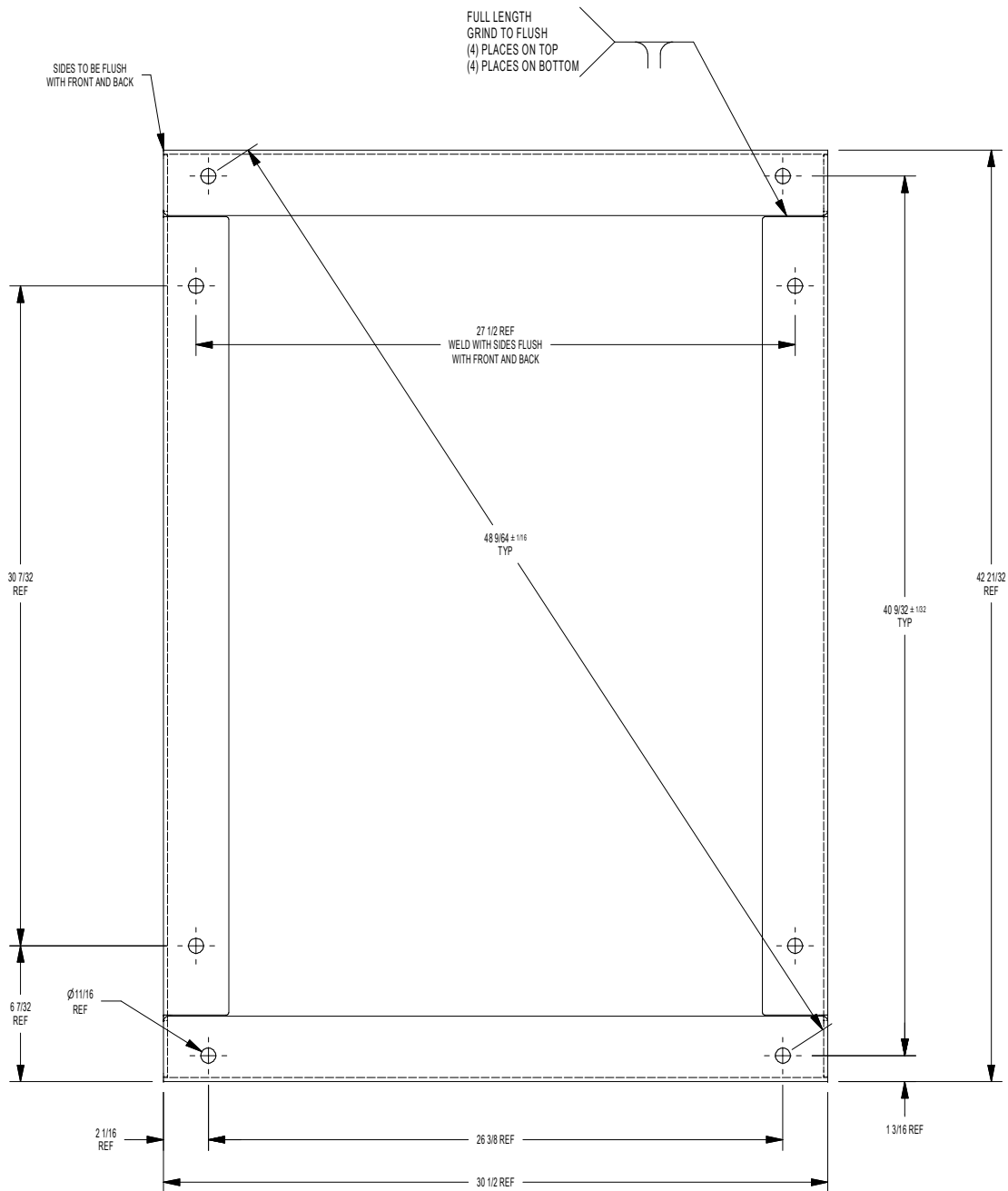


REVISION HISTORY		
REV	DESCRIPTION	APP
PR	RELEASE FOR PRODUCTION - 001	SC
EON 005955	12/12/22	



NOTES:  
 1. BASE TO BE FLAT WITHIN 1/8"  
 2. APPLY (1) COAT FLAT BLACK PAINT  
 SEE SHEETS 2 AND 3 FOR COMPONENT PART DETAILS.

QTY	PART NUMBER	ITEM	DESCRIPTION
1	8665-023-011	3	WELDWIRE-MS,.045DIA
2	9945-164-001-PART2	2	CHANNEL-BASE, SIDE
2	9945-164-001-PART1	1	CHANNEL-BASE, FRONT/BACK

9945-164-001 BASE ASSY - 1 PLACE, 6" (S-675)

STANDARD RAW STOCK COMMERCIAL TOLERANCES APPLY UNLESS EXCEPTED.

**DEXTER LAUNDRY INC.**  
 FAIRFIELD, IOWA

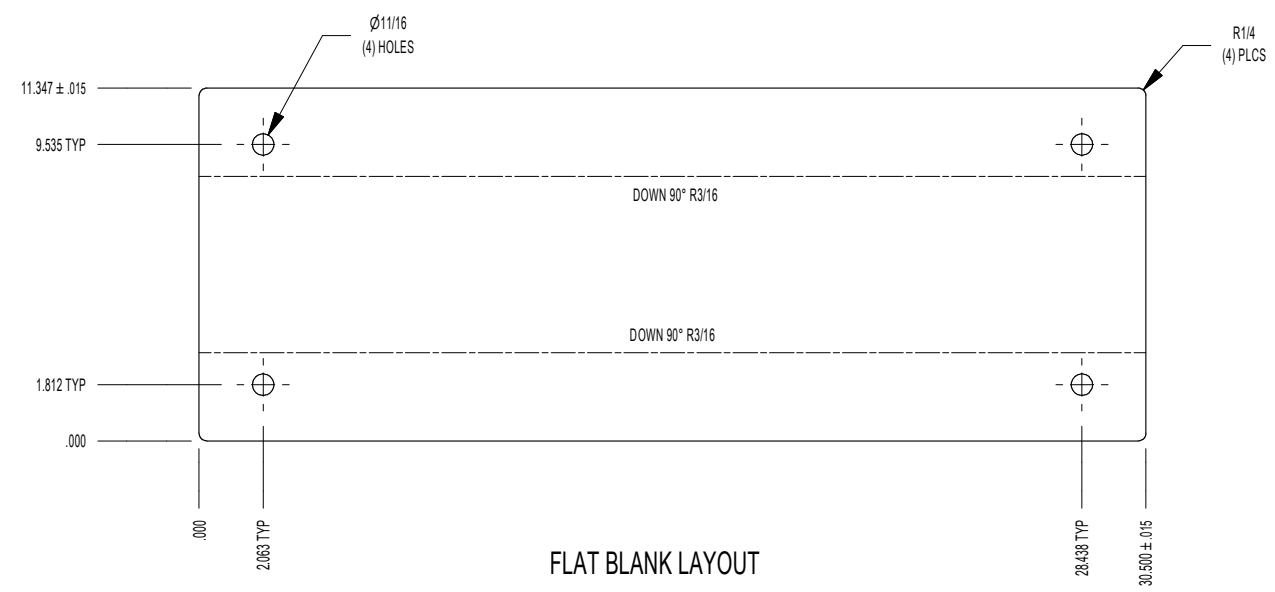
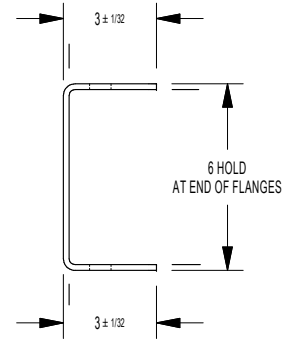
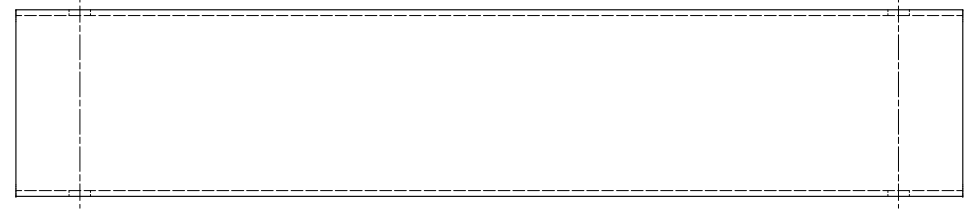
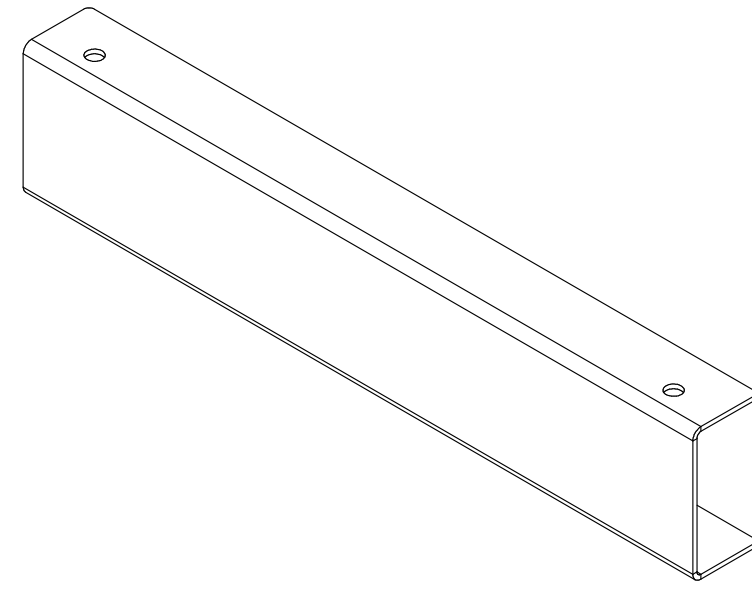
FRACTIONS ± 1/64	DECIMAL ± .005	ANGULAR ± 7'	REFERENCE (XXX)
DATE: 11/10/2022	DWG. NO: 9945-164	SCALE: D	SHEET: 1 OF 3

REV: PR

1 2 3 4 5 6 7 8 9 10

REVISION HISTORY		
REV	DESCRIPTION	APP
PR	RELEASE FOR PRODUCTION -001. ECN 005055	SC
	12/12/22	

A  
B  
C  
D  
E  
F  
G

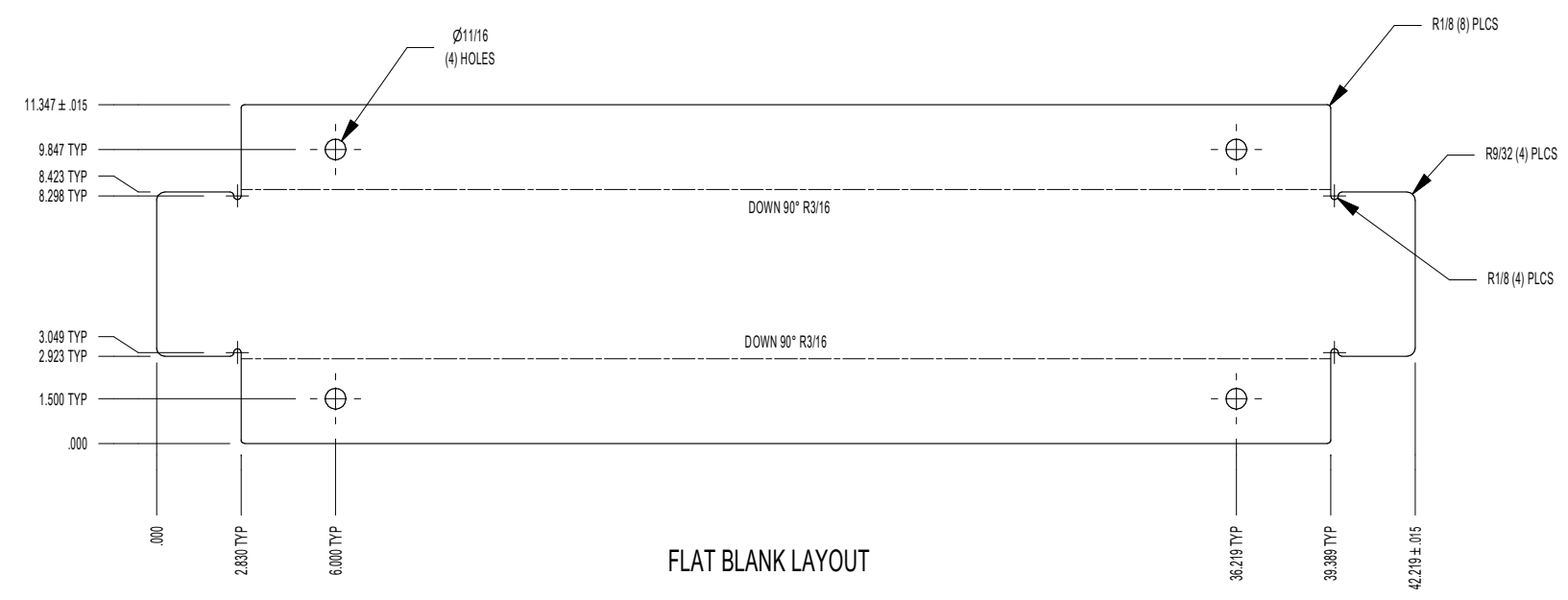
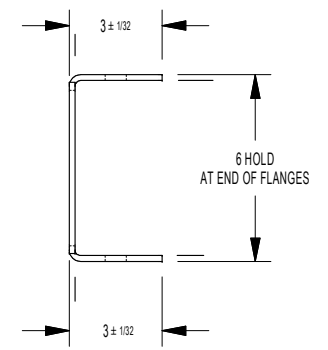
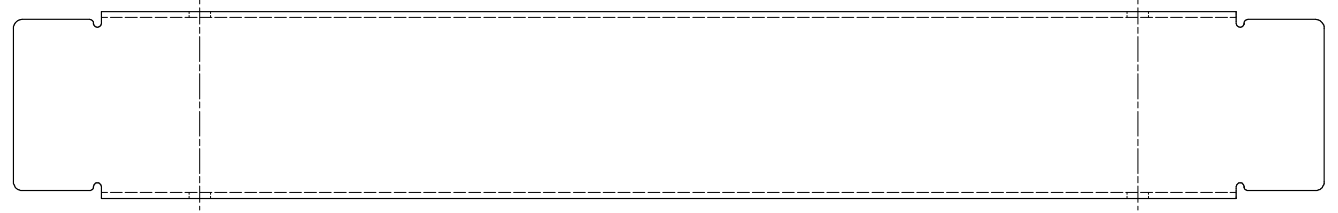
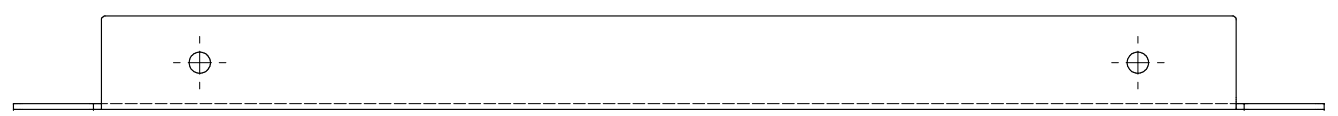
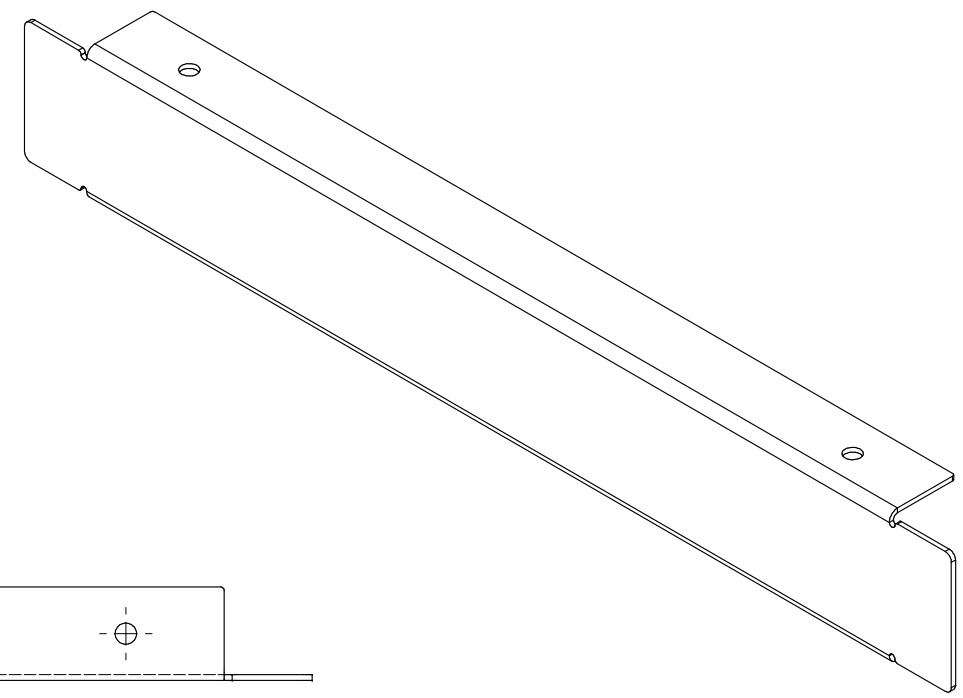


9945-164-001-PART1	CHANNEL-BASE, FRONT/BACK	HRS, 3/16
PART NUMBER	DESCRIPTION	MATERIAL
STANDARD RAW STOCK COMMERCIAL TOLERANCES APPLY UNLESS EXCEPTED.		
<b>DEXTER LAUNDRY INC.</b>		
FAIRFIELD, IOWA		
FRACTIONS ± 1/64	DECIMAL ± .005	DATE: 11/10/2022
TOLERANCES UNLESS OTHERWISE SPECIFIED	ANGULAR ± 2°	SCALE C
REFERENCE (XXX)	DWG. NO	SIZE C
	<b>9945-164</b>	SHEET 2 OF 3
		REV PR

1 2 3 4 5 6 7 8 9 10

REVISION HISTORY		
REV	DESCRIPTION	APP
PR	RELEASE FOR PRODUCTION -001. ECN 005055	SC
	12/12/22	

A  
B  
C  
D  
E  
F  
G



9945-164-001-PART2	CHANNEL-BASE, SIDE	HRS, 3/16
PART NUMBER	DESCRIPTION	MATERIAL
STANDARD RAW STOCK COMMERCIAL TOLERANCES APPLY UNLESS EXCEPTED.		
DEXTER LAUNDRY INC. FAIRFIELD, IOWA		
FRACTIONS ± 1/64	SCALE	SIZE
TOLERANCES UNLESS OTHERWISE SPECIFIED	DECIMAL ± .005	ANGULAR ± 2
REFERENCE (XXX)	DATE: 11/10/2022	SHEET 3 OF 3
DWG. NO	9945-164	REV PR