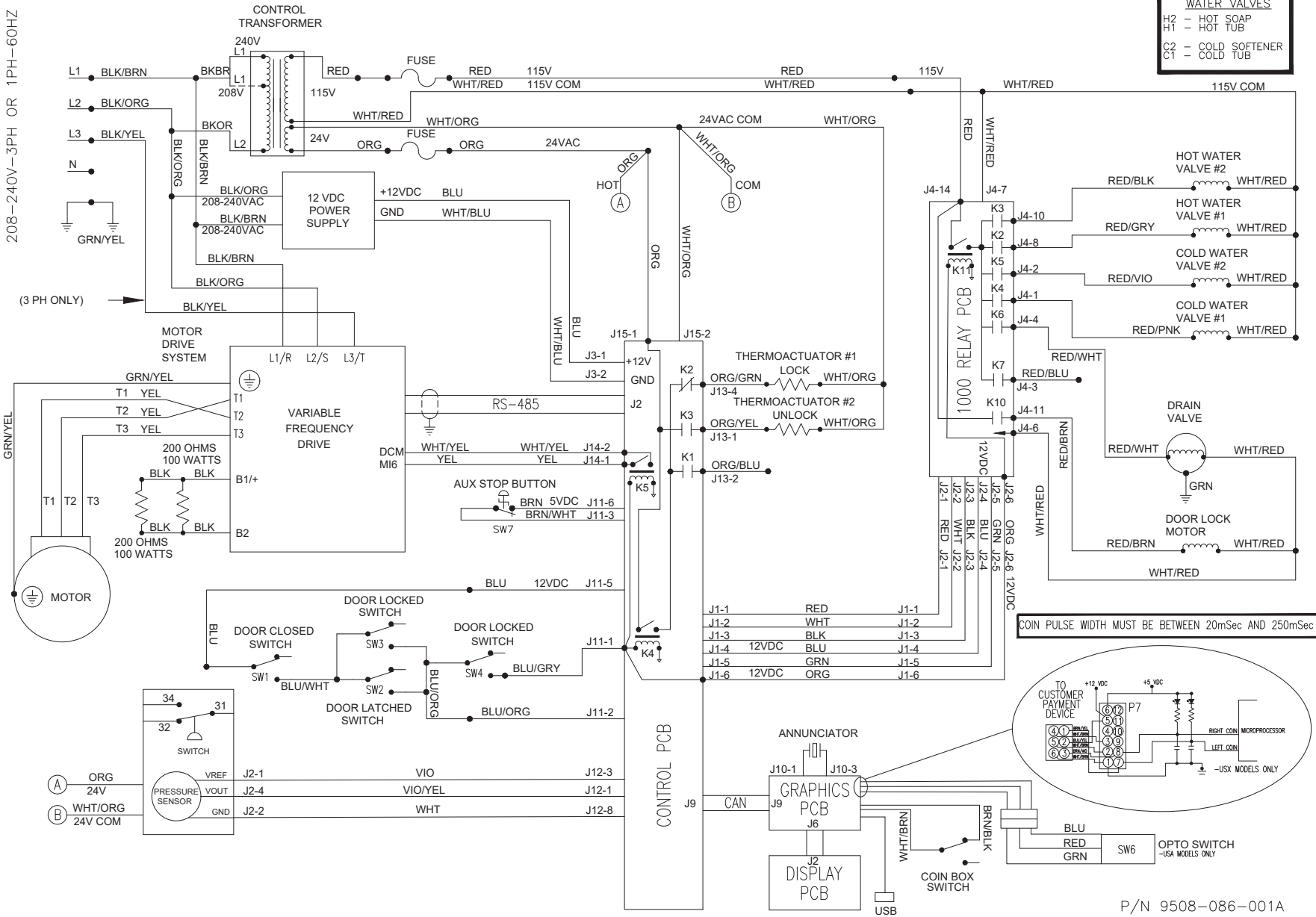


WIRING DIAGRAM 208 - 240V, 1/3PH, 60HZ

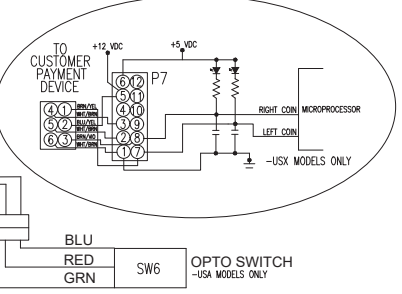
P/N 9507-086-001B
 30 LB VENDED EXPRESS, VF DRIVE
 WC0450X_-12_T1X-_-_-US_

208-240V-3PH OR 1PH-60HZ



WATER VALVES
 H2 - HOT SOAP
 H1 - HOT TUB
 C2 - COLD SOFTENER
 C1 - COLD TUB

COIN PULSE WIDTH MUST BE BETWEEN 20mSec AND 250mSec



P/N 9508-086-001A
 30 LB VENDED EXPRESS, VF DRIVE

SCHMATIC 208-240V-1/3PH-60HZ