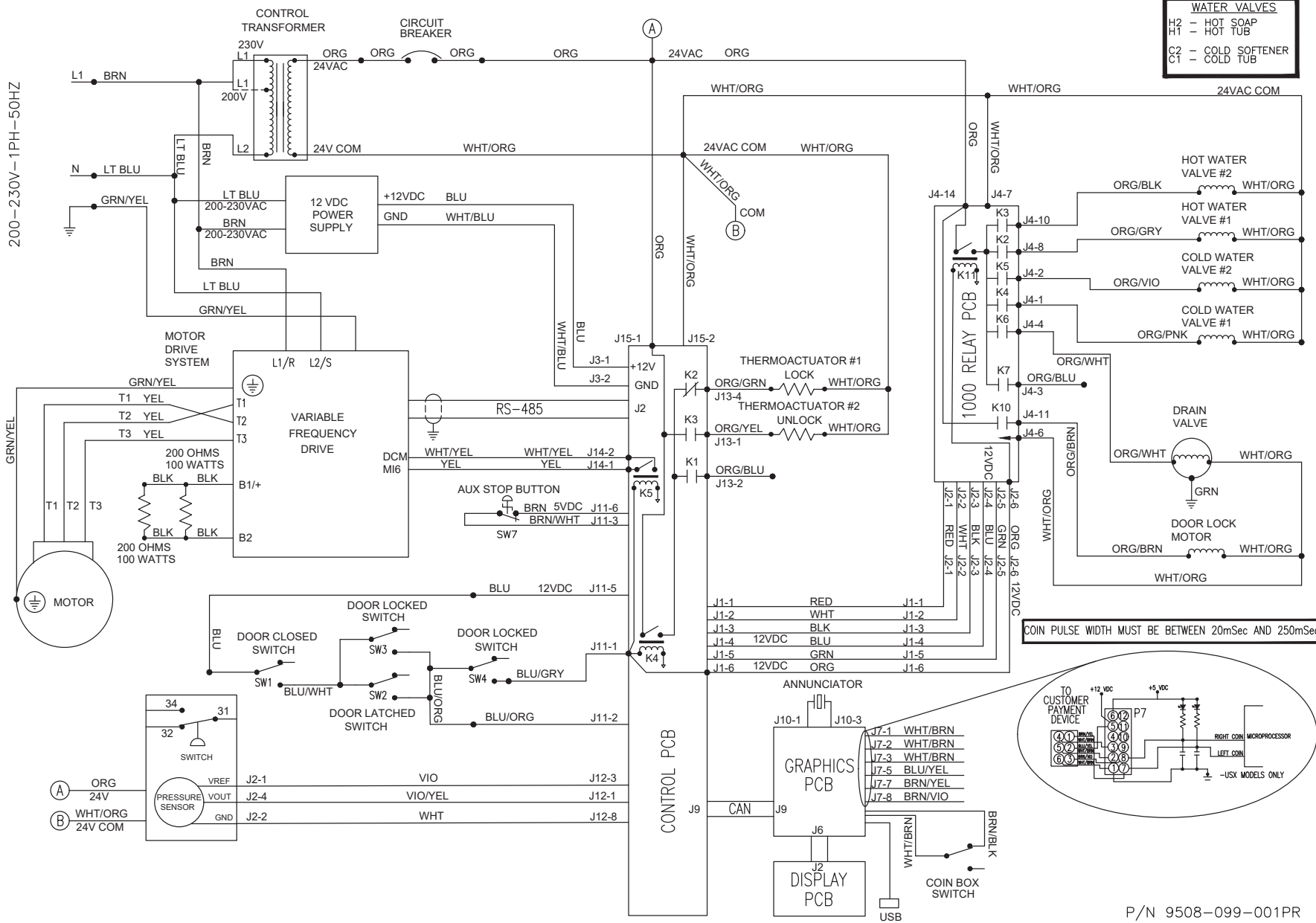


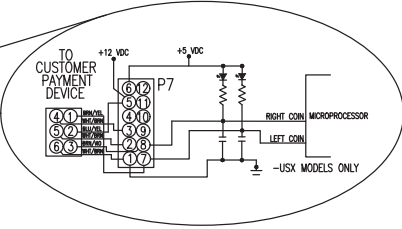
WIRING DIAGRAM 200 - 230V, 1PH, 50HZ

P/N 9507-099-001PR
 30 LB VENED EXPRESS, VF DRIVE
 WC0450X-39-T1X-____-VFX



WATER VALVES
 H2 - HOT SOAP
 H1 - HOT TUB
 C2 - COLD SOFTENER
 C1 - COLD TUB

COIN PULSE WIDTH MUST BE BETWEEN 20mSec AND 250mSec



SCHMATIC 200-230V-1PH-50HZ

P/N 9508-099-001PR
 30 LB VENDED EXPRESS, VF DRIVE