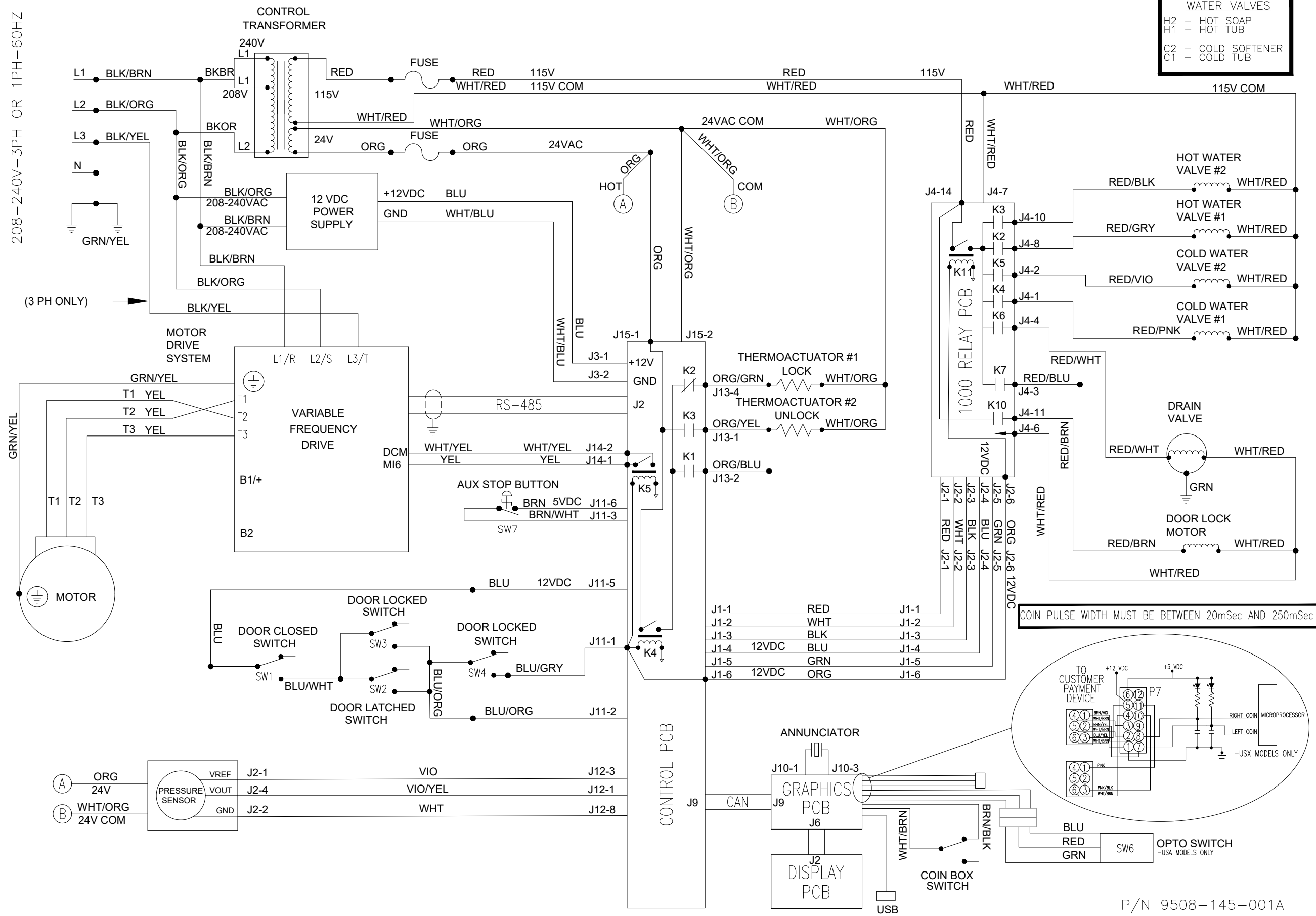
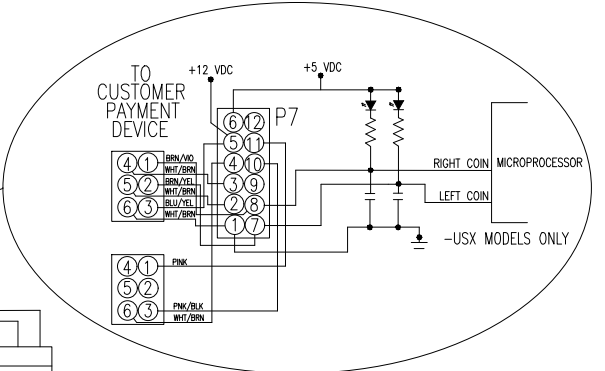


208-240V-3PH OR 1PH-60HZ

WATER VALVES
 H2 - HOT SOAP
 H1 - HOT TUB
 C2 - COLD SOFTENER
 C1 - COLD TUB



COIN PULSE WIDTH MUST BE BETWEEN 20mSec AND 250mSec



BLU
 RED
 GRN
 SW6 OPTO SWITCH
 -USA MODELS ONLY

P/N 9508-145-001A
 20 LB VENDED, VF DRIVE