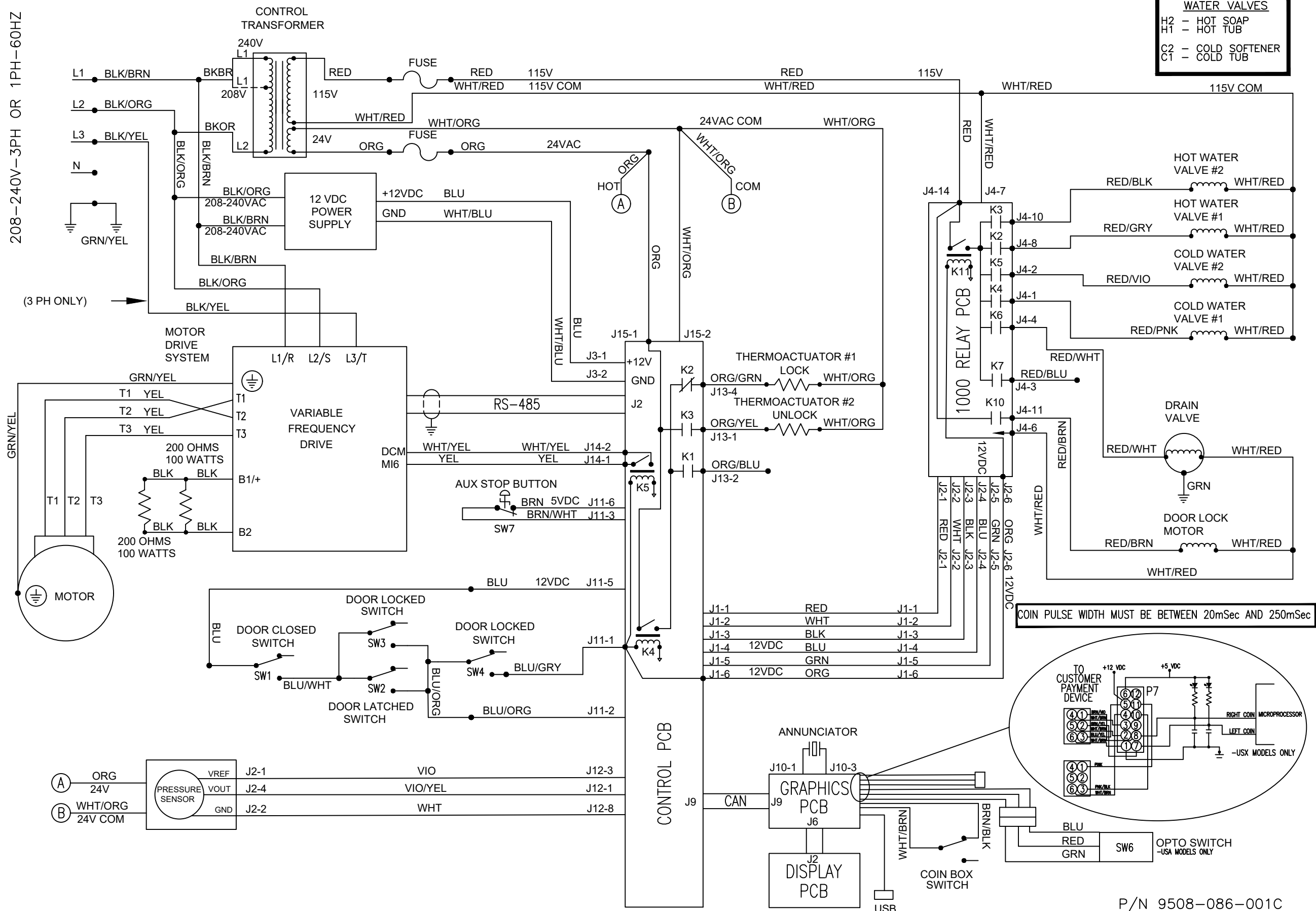
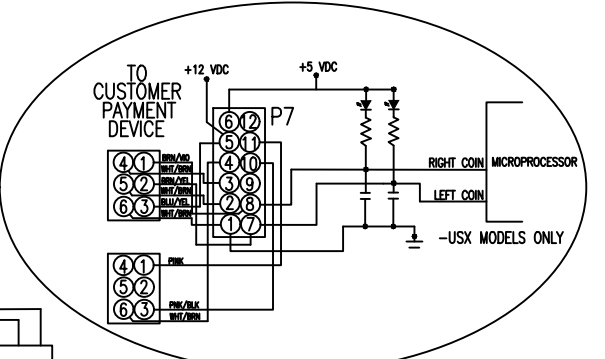


208-240V-3PH OR 1PH-60HZ

WATER VALVES	
H2	- HOT SOAP
H1	- HOT TUB
C2	- COLD SOFTENER
C1	- COLD TUB



COIN PULSE WIDTH MUST BE BETWEEN 20mSec AND 250mSec



SCHEMATIC

208-240V-1/3PH-60HZ

P/N 9508-086-001C  
30 LB VENDED EXPRESS, VF DRIVE