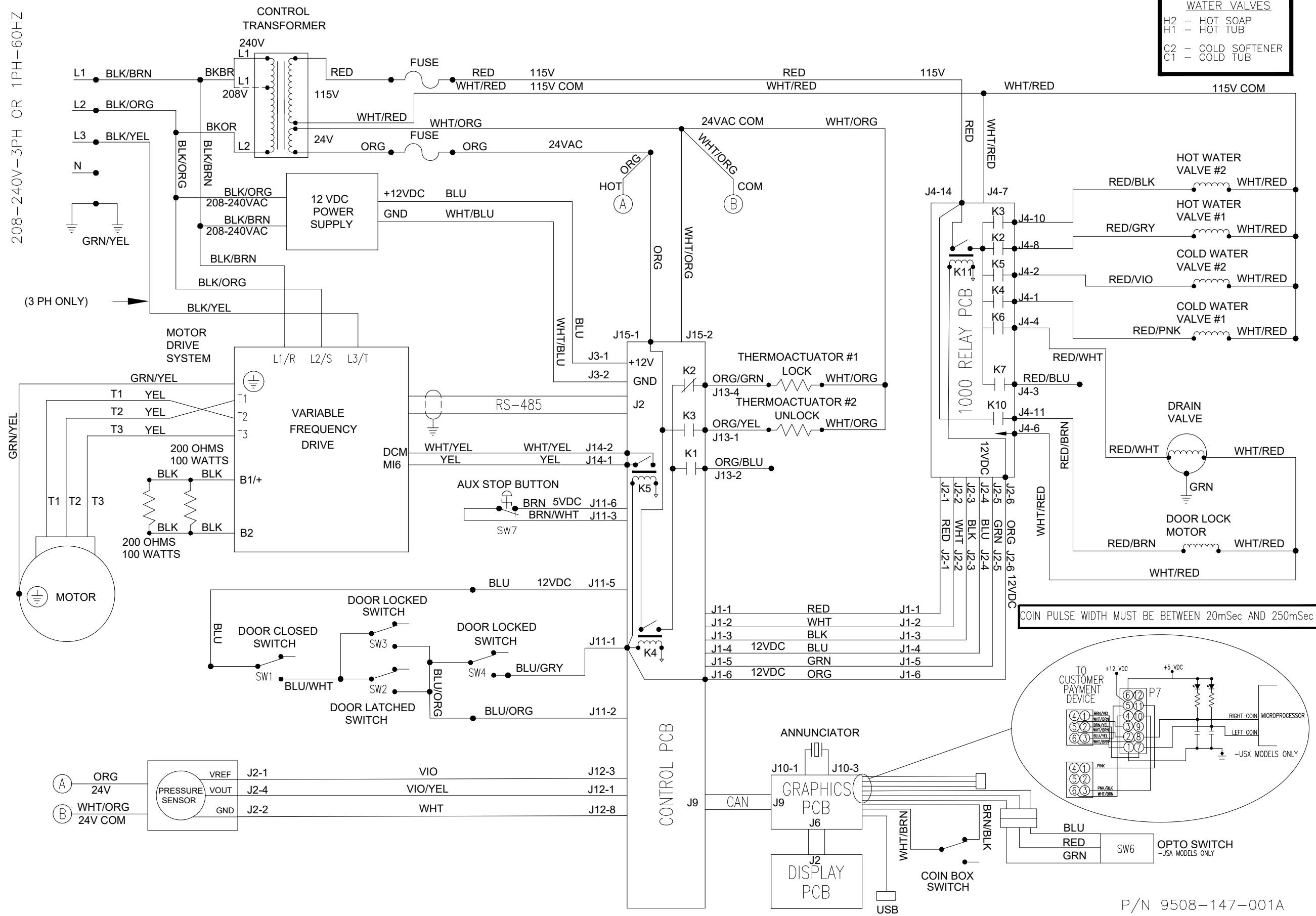
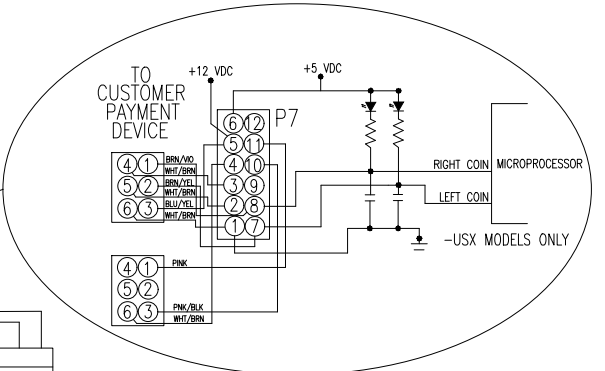


208-240V-3PH OR 1PH-60HZ

**WATER VALVES**  
 H2 - HOT SOAP  
 H1 - HOT TUB  
 C2 - COLD SOFTENER  
 C1 - COLD TUB



COIN PULSE WIDTH MUST BE BETWEEN 20mSec AND 250mSec



P/N 9508-147-001A  
 40 LB VENDED, VF DRIVE