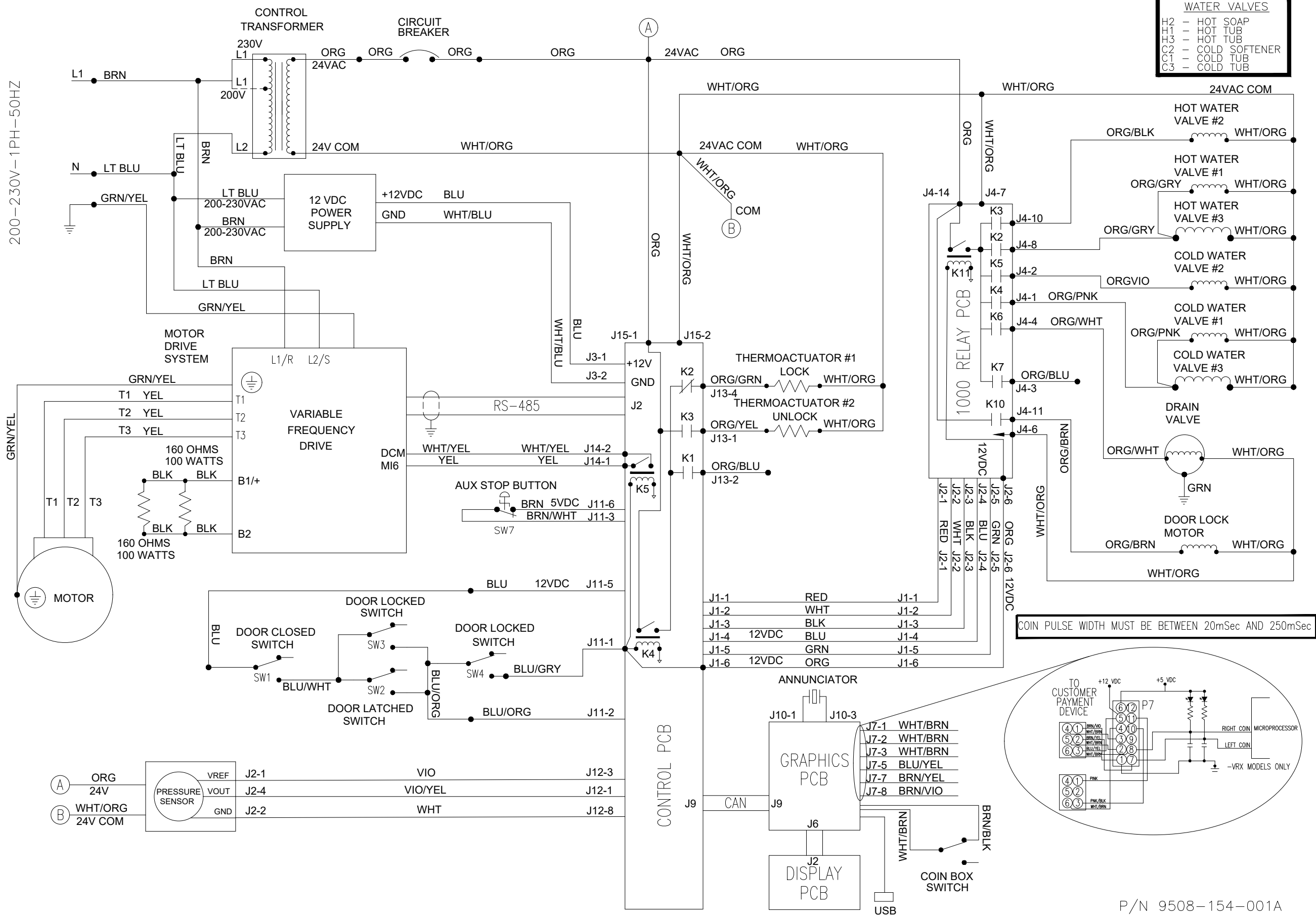


WIRING DIAGRAM 200 - 230V, 1PH, 50HZ

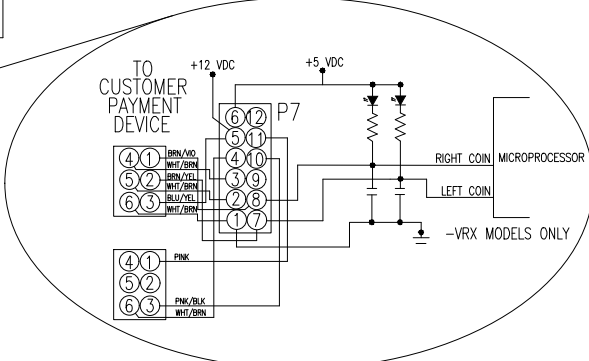
P/N 9507-154-001A
 80 LB VENED, VF DRIVE
 WC1200X--39_T1X-----VRX

200-230V-1PH-50HZ

| WATER VALVES | |
|--------------|-----------------|
| H2 | - HOT SOAP |
| H1 | - HOT TUB |
| H3 | - HOT TUB |
| C2 | - COLD SOFTENER |
| C1 | - COLD TUB |
| C3 | - COLD TUB |



COIN PULSE WIDTH MUST BE BETWEEN 20mSec AND 250mSec



| | | | | |
|---------------------|------|------|---------|-------|
| (A) ORG 24V | VREF | J2-1 | VIO | J12-3 |
| (B) WHT/ORG 24V COM | VOUT | J2-4 | VIO/YEL | J12-1 |
| | GND | J2-2 | WHT | J12-8 |

SCHEMATIC

200-230V-1PH-50HZ

P/N 9508-154-001A
80 LB VENDED, VF DRIVE