

SERIES



**X-Series Vended Stack & Single Pocket Dryers
Reversing and Non-Reversing Parts Manual**



X-Series Series Vended Dryers
Reversing & Non-Reversing
Parts Manual

Table of Contents

Section 1: Stack Dryers Parts Data.....4
 Kits & Assemblies.....4
 Cabinet Group.....6
 Control Parts.....8
 Loading Door.....10
 Bearing Housing.....12
 Tumbler Group.....13
 Burner Housing.....14
 Rear View.....16
 Control Assembly.....18
 Coin Acceptor.....20

**Section 2: Single Pocket Dryers Parts Data...
21**
 Kits & Assemblies.....21
 Cabinet Group.....23
 Bearing Housing & Tumbler Group.....25
 Burner Housing.....27
 Rear View.....29
 Electrical Box.....31
 Airflow Switch.....33
 Coin Acceptor.....35

Section 3: T-120 Dryer Parts Data.....36
 Kits & Assemblies.....36
 Cabinet Group.....38
 Bearing Housing.....40
 Tumbler Group.....41
 Burner Housing.....42
 Airflow Switch.....44
 Control Assembly.....46
 Coin Acceptor.....48



DEXTER[®]
LAUNDRY

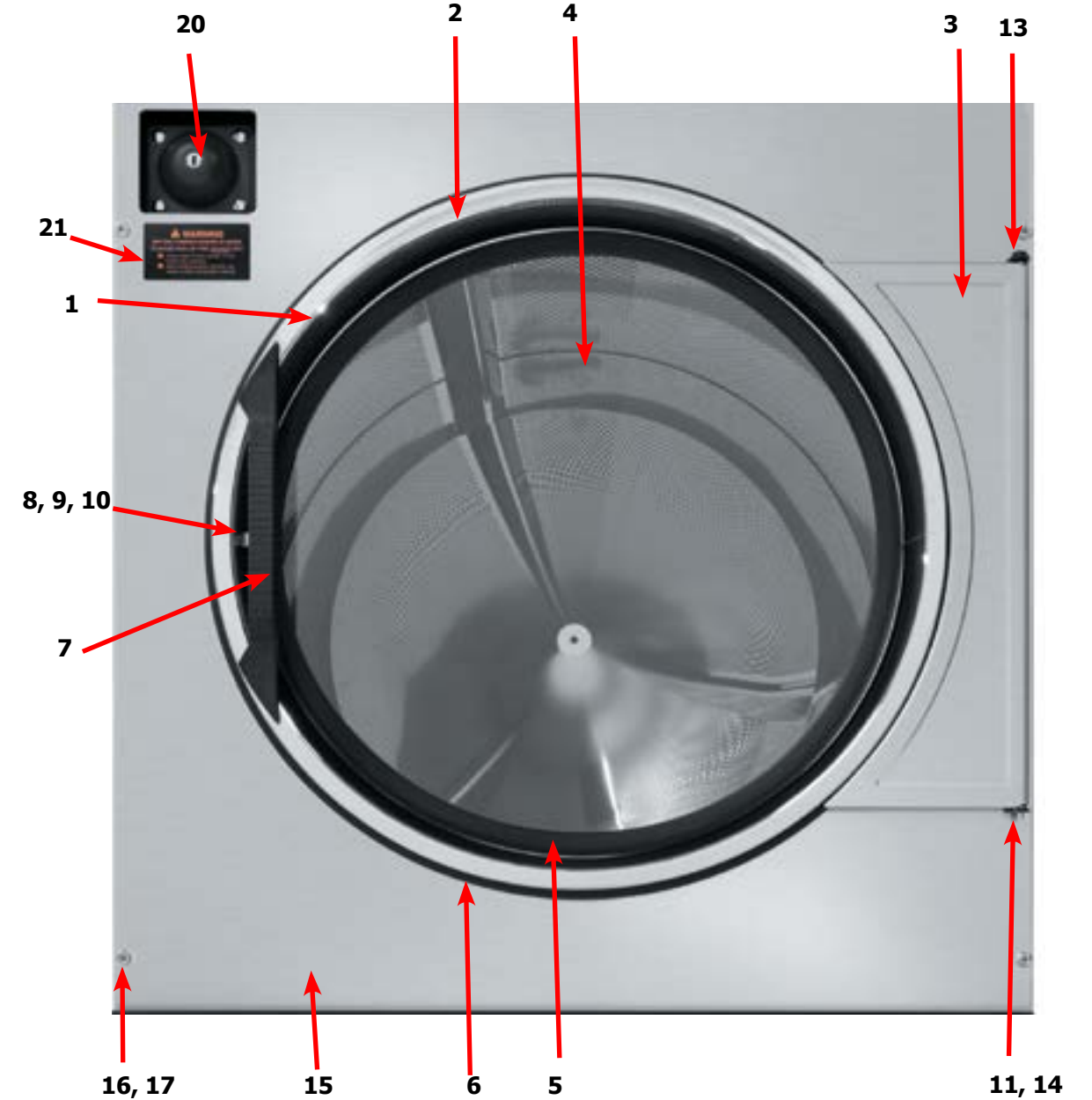


Section 2:
X-Series Vended
Single Pocket Dryers Parts Data
T-30, T-50, T-80

Cabinet Parts Group

Key	Description	T-30	T-50	T-80	QTY
1	Loading Door Complete SS/Brushed SS/Blk	9960-306-001	9960-305-001	9960-305-001	1
1	Loading Door Complete Wht/Brushed SS/Blk	9960-306-003	9960-305-003	9960-305-003	1
2	Door Assy, Loading (Ring only) Brushed SS	9960-255-008	9960-284-002	9960-284-002	1
3	Plate Assy, Hinge (SS)	9982-374-001	9982-368-001	9982-368-001	1
3	Plate Assy, Hinge (Wht)	9982-374-003	9982-368-003	9982-368-003	1
*	Cover-Hinge Back, Black	9074-341-002	9074-340-002	9074-340-002	1
*	Screw-10Bx3/8, Black	9545-008-010	9545-008-010	9545-008-010	2
*	Screw Hinge to Door	9545-012-015	9545-012-015	9545-012-015	4
*	Nut, Hinge to Door	8640-413-002	8640-413-002	8640-413-002	4
4	Glass, Door	9212-002-003	9212-002-004	9212-002-004	1
5	Gasket, Door Glass (Black)	9206-413-001	9206-413-002	9206-413-002	1
*	Support Door Glass	9548-117-000	9548-117-000	9548-117-000	2
6	Gasket, Door Outer Rim (Black)	9206-420-003	9206-420-005	9206-420-005	1
7	Handle, Loading Door	9244-082-001	9244-082-001	9244-082-001	1
*	Screw, Handle	9545-018-017	9545-018-017	9545-018-017	2
8	Stud Door Catch	9531-033-001	9531-033-002	9531-033-002	1
9	Nut-Hex, #10-32	8640-413-001	8640-413-001	8640-413-001	1
10	Nut, Acorn	8640-413-003	8640-413-003	8640-413-003	1
*	Catch, Loading Door	9086-015-002	9086-015-002	9086-015-002	2
*	Rivit	8638-190-009	8638-190-009	8638-190-009	4
11	Strap, Hinge (Black)	9966-018-002	9966-014-002	9966-014-002	1
*	Plate Assy-Backup, Hinge	9982-371-001	9982-356-001		1
*	Plate Assy-Backup, Hinge	9982-368-001		9982-369-001	1
*	Reinforcement-Front panel			9817-003-001	1
12	Screw-Phillips, 10-32x1/2 Chrome	9545-012-003	9545-012-003	9545-012-003	4
*	Screw-Phillips-Counter sink, 10-32x1/2 Chrome	NA	9545-012-028	9545-012-028	4
13	Screw-Special, Hinge to Door	9545-052-001	9545-052-001	9545-052-001	1
*	Nut-Allen, 1/4-20	8640-439-001	8640-439-001	8640-439-001	1
14	Washer-Fiber/Plastic	8641-436-003	8641-436-003	8641-436-003	1
15	Front Panel Assy (SS)	9444-001-001	9444-003-001	9444-005-001	1
15	Front Panel Assy (Wht)	9444-001-003	9444-003-003	9444-005-003	1
16	Screw-Phillips, 10Bx1 3/4	9545-008-014	9545-008-014	9545-008-014	4
17	Washer-Finish	8641-585-001	8641-585-001	8641-585-001	4
*	Nut, Expansion	8640-442-001	8640-442-001	8640-442-001	4
*	Insulation-Front Panel, Top Half	9277-063-001	9277-057-001	9277-058-001	1
*	Insulation-Front Panel, Bottom Half	9277-063-002	9277-057-001	9278-058-002	1
*	Switch-Door Closed (Square)	9539-501-001	9539-501-001	9539-501-001	1
*	Wire-Assy, Blk	8220-063-026	8220-063-026	8220-063-026	1
*	Wire-Assy-Blu	8220-063-009	8220-063-009	8220-063-009	1

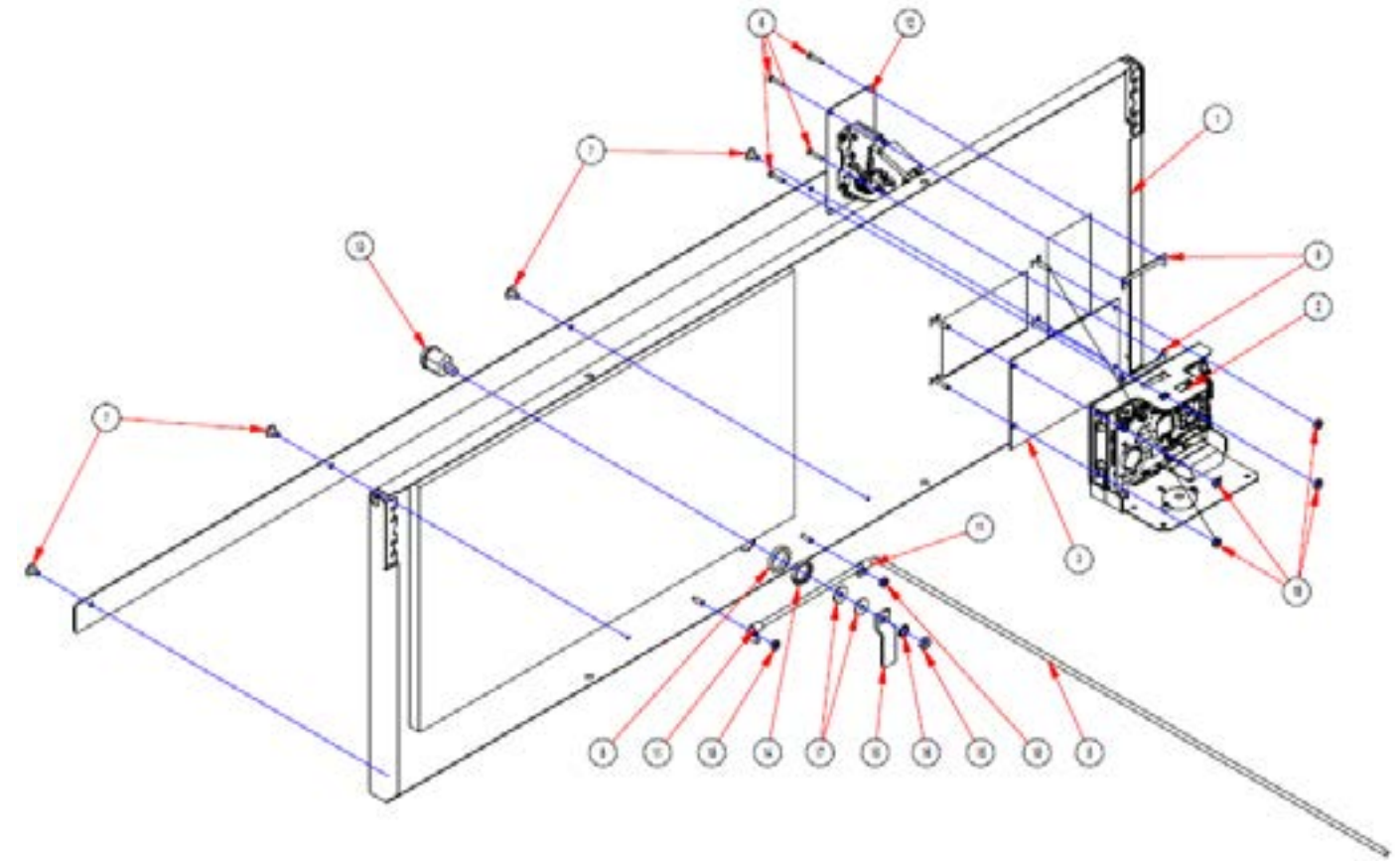
Cabinet Parts Group



Key	Description	T-30	T-50	T-80	QTY
20	Coin Box Blue				1
20	Coin Box Black				1
21	Label-Warning, Dryer (Blue)	8502-758-002	8502-758-002	8502-758-002	1
21	Label-Warning, Dryer (Black)	8502-758-001	8502-758-001	8502-758-001	1
*	Label-Warning, French, Spanish	8502-764-001	8502-764-001	8502-764-001	1
*	Cabinet Touch Up Paint (White)	9472-001-013	9472-001-013	9472-001-013	1
*	Wiring Harness-Control/Graphics	9627-922-001	9627-922-001	9627-922-001	1
*	Wiring Harness-Coin Vault Switch	9628-025-001	9628-025-001	9628-025-001	1
*	Wiring Harness-Payment	9628-024-002	9628-024-002	9628-024-002	1

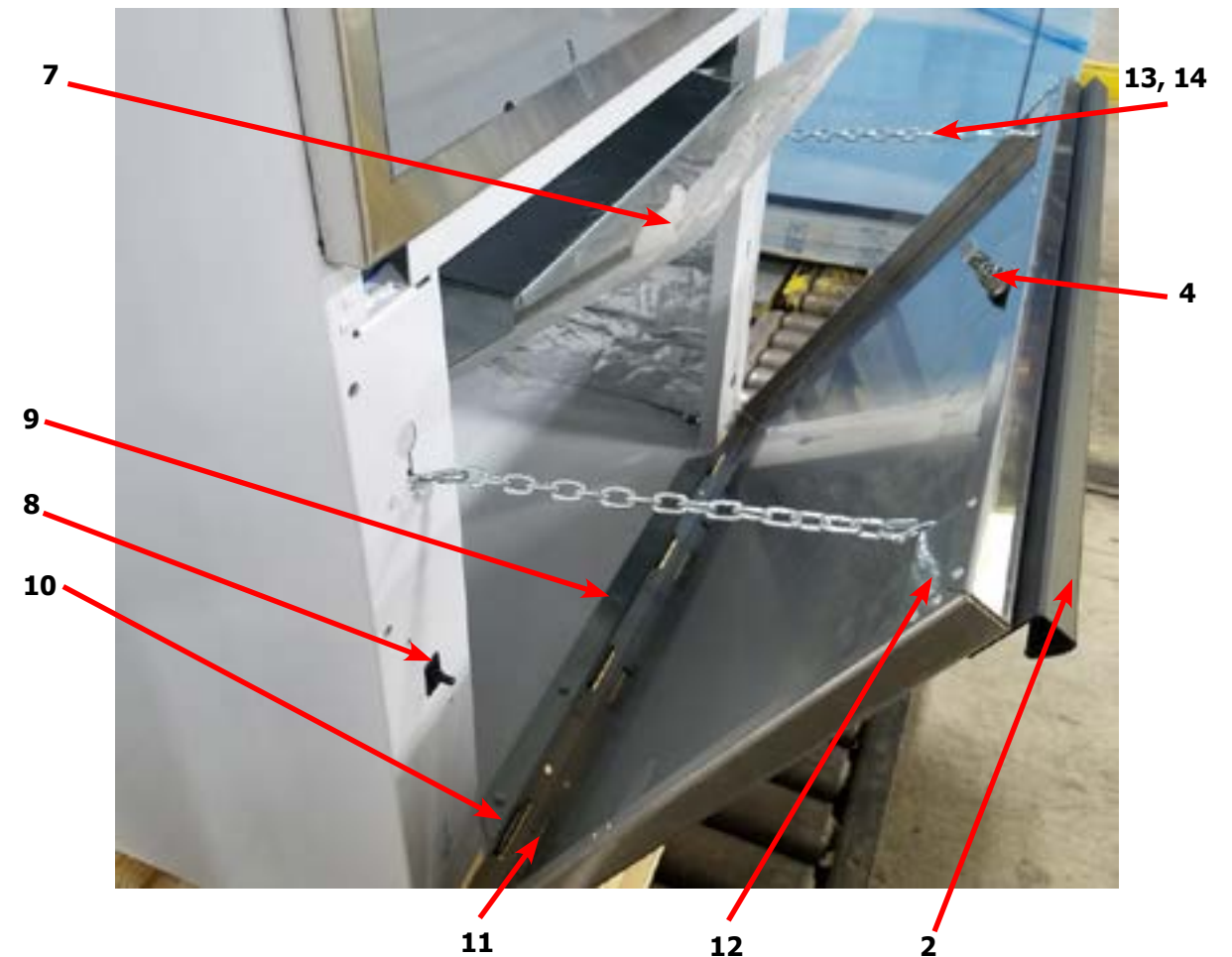
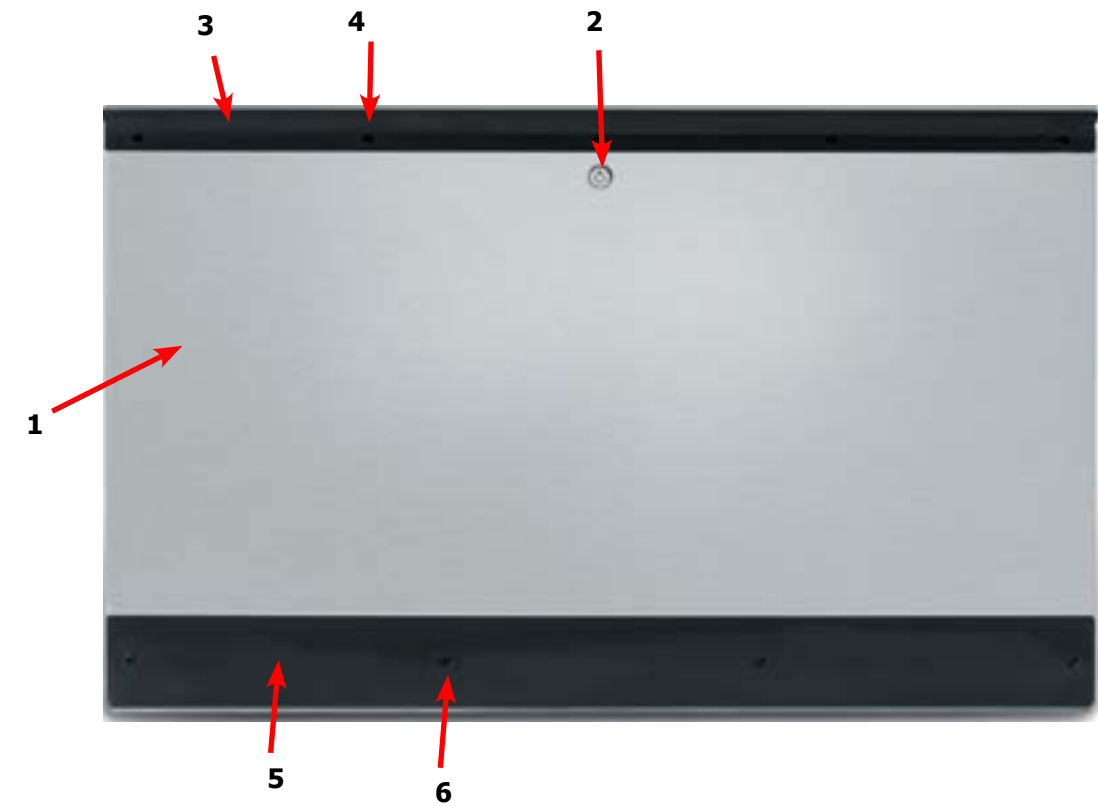
Cabinet Parts Group Continued

Key	Description	T-30	T-50 Non-Rev/Rev	T-80 Non-Rev/Rev	QTY
1	Door Assembly-Upper, Partial	9960-352-001	9960-353-001	9960-354-001	1
2	Control Assembly - Display 5"	9857-288-002	9857-288-002	9857-288-002	1
3	Window-5" Protector, Display	9635-024-001	9635-024-001	9635-024-001	1
4	Trim-Upper Service Door, Blk	9578-096-002	9578-096-002	9578-096-002	1
5	Support-Upper Service Door	9548-288-002	9548-288-002	9548-288-002	1
6	Screws-Torq, 4Bx5/8 ss	9545-053-002	9545-053-002	9545-053-002	4
7	Screw-TRHDCR,#10BX0.375	9545-008-010	9545-008-010	9545-008-010	4
8	Spacer-Barrel Lock	9538-189-001	9538-189-001	9538-189-001	1
9	Retainer-Coin Acceptor	9486-149-001	9486-149-001	9486-149-001	2
10	Cam-Lock, Upper Service Door	9095-047-001	9095-047-001	9095-047-001	1
11	Clamp-Tube	9079-121-002	9079-121-002	9079-121-002	2
12	Coin Acceptor	9021-099-001	9021-099-001	9021-099-001	1
*	Payment Harness	9628-024-002	9628-024-002	9628-024-002	1
13	Lock Assy. and Key Upper (includes 13-16)	8650-012-003	8650-012-003	8650-012-003	1
*	Key, 6324	6292-006-007	6292-006-007	6292-006-007	1
17	Washer-Flat, #10	8641-581-006	8641-581-006	8641-581-006	2
18	Nut-Hexkeps,#6-32	8640-411-003	8640-411-003	8640-411-003	6
	Nameplate - Dexter Dryer Black	9412-272-001	9412-273-001	9412-274-001	1
	Nameplate - Dexter Dryer Blue	9412-272-002	9412-273-002	9412-274-002	1
	Bracket-Hinge	9029-224-001	9029-224-001	9029-224-001	2
*	Rivet- 3/16, Hinge to Door	9491-009-001	9491-009-001	9491-009-001	2
*	Rivet- 3/16, Hinge to Cabinet	9491-009-001	9491-009-001	9491-009-001	AR
*	Insulation	9277-041-016	9277-041-016	9277-041-016	1
*	Coin Chute	9940-017-001	9940-017-001	9940-017-001	1
*	Screw	9545-008-001	9545-008-001	9545-008-001	1
*	Nut, Elastic Stop	8640-413-004	8640-413-004	8640-413-004	*



Cabinet Parts Group Continued

Key	Description	T-30	T-50	T-80	QTY
1	Door-Lower Service, Coin, SS	9108-130-001	9108-122-001	9108-126-001	1
1	Door-Lower Service, Coin, Wht	9108-130-003	9108-122-003	9108-126-003	1
2	Lock Assy. and Key Lower Door	8650-012-004	8650-012-004	8650-012-004	1
*	Cam Lock Lower Door	9095-048-001	9095-048-001	9095-048-001	1
*	Lock Spacer	9538-189-001	9538-189-001	9538-189-001	*
*	Washer-Flat	8641-581-041	8641-581-041	8641-581-041	2
3	Handle-Door, Lower Service	9244-084-002	9244-087-002	9244-088-002	1
4	Screw-Phillips, 10Bx3/8, Black	9545-008-010	9545-008-010	9545-008-010	5
5	Trim-Lower Kick, Black	9578-099-002	9578-095-002	9578-097-002	1
6	Screw-Phillips, 10Bx3/8, Black	9545-008-010	9545-008-010	9545-008-010	4
7	Screen Assy, Lint	9822-026-002	9822-026-001	9822-031-002	1
8	Switch-Door Closure (Square)	9539-501-001	9539-501-001	9539-501-001	1
9	Hinge-Door, Lower	9243-081-001	9243-082-001	9243-082-001	1
10	Screw-5/16, 10ABx3/8	9545-008-024	9545-008-024	9545-008-024	5
11	Bracket-Door Switch	9029-226-001	9029-226-001	9029-226-001	1
*	Rivet, 1/8 Low Profile	9491-009-004	9491-009-004	9491-009-004	2
12	Bracket-Chain	9029-223-001	9029-223-001	9029-223-001	2
*	Rivet, 1/8 Low Profile	9491-009-004	9491-009-004	9491-009-004	8
13	Hook, "S" Type	9248-022-002	9248-022-002	9248-022-002	4
14	Chain	9099-012-006	9099-012-006	9099-012-006	2
*	Leg, Leveling 1/2"	8544-006-001	8544-006-001	8544-006-001	4
*	Leveling Leg Wrench	8545-061-002	8545-061-002	8545-061-002	1

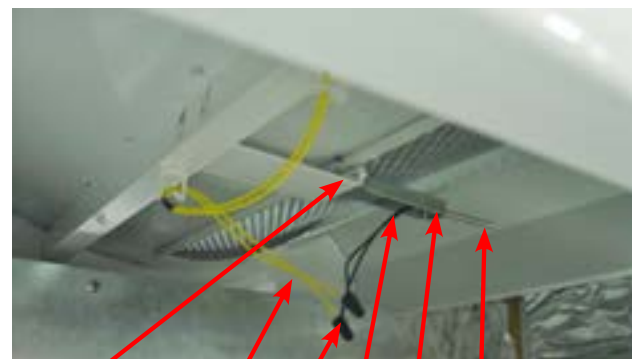


Cabinet Parts Group Continued

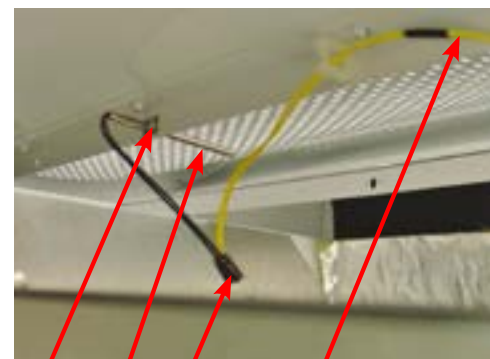
Key	Description	T-30	T-50	T-80	QTY
1	Insulation, Upper service Door	9277-041-006	9277-041-016	9277-041-016	1
2	Insulation, RH Burner	9277-041-019	9277-041-019	9277-041-023	1
3	Insulation Tumbler Area, above Baffle	9277-041-020	9277-051-003	9277-041-021	2
3	Insulation Tumbler Area, above Baffle		9277-051-003	9277-041-021	2
4	Insulation Tumbler Area, below baffle	9277-041-020	9277-051-003	9277-051-004	2
4	Insulation Tumbler Area, below baffle		9277-051-003	9277-051-004	2
5	Insulation Lint Compartment	9277-041-021	9241-041-024	9277-041-025	2
*	Screen Assy, Lint	9822-026-002	9822-026-001	9822-031-002	1
6	Switch-Door Closure (Square)	9539-501-001	9539-501-001	9539-501-001	1
7	Hinge-Door, Lower	9243-081-001	9243-082-001	9243-082-001	1
8	Screw-5/16, 10ABx3/8	9545-008-024	9545-008-024	9545-008-024	AR
9	Lint Hood-Back	9240-038-001	9240-041-001	9240-044-001	1
10	Nut Wizlock, 8-32	8640-412-004	8640-412-004	8640-412-004	6
11	Lint hood, LH	9240-040-001	9240-043-001	9240-046-001	1
12	Lint hood, RH	9240-040-002	9240-043-002	9240-046-002	1
13	Lint hood, Top	9240-039-001	9240-042-001	9240-045-001	1
14	Screw, 5/16- 10ABx3/8	9545-008-024	9545-008-024	9545-008-024	14
15	Impeller, w/ set screws	9278-043-001	9278-038-004	9278-037-003	1
16	Harness -Temp Probe	9627-917-004	9627-917-004	9627-917-004	1
17	Wire Nut, #71B	8640-276-005	8640-276-005	8640-276-005	2
18	Bracket, Temp Probe	9029-197-001	NA	NA	1
19	Screw-5/16, 10ABx3/8	9545-008-024	NA	NA	1
20	Temp Probe	9501-004-004	9501-004-004	9501-004-004	1
21	Screw-Phillips, 8Bx1/4	9545-045-005	9545-045-005	9545-045-005	1
22	Vault, Coin	9942-039-002	9942-039-002	9942-039-002	1
*	Plate Assy./Coin vault mounting	9982-338-001	9982-338-001	9982-338-001	1
*	Nut/ Hex elastic stop	8640-413-004	8640-413-004	8640-413-004	2
23	Coin Chute	9940-017-001	9940-017-001	9940-017-001	1
*	Screw, 10Bx1/4	9545-008-001	9545-008-001	9545-008-001	1
24	Harness, Main	9627-919-005	9627-919-005	9627-919-005	1
*	Harness, Door Switch	9627-947-001	9627-947-001	9627-947-001	1

30Lb. Temp Probe

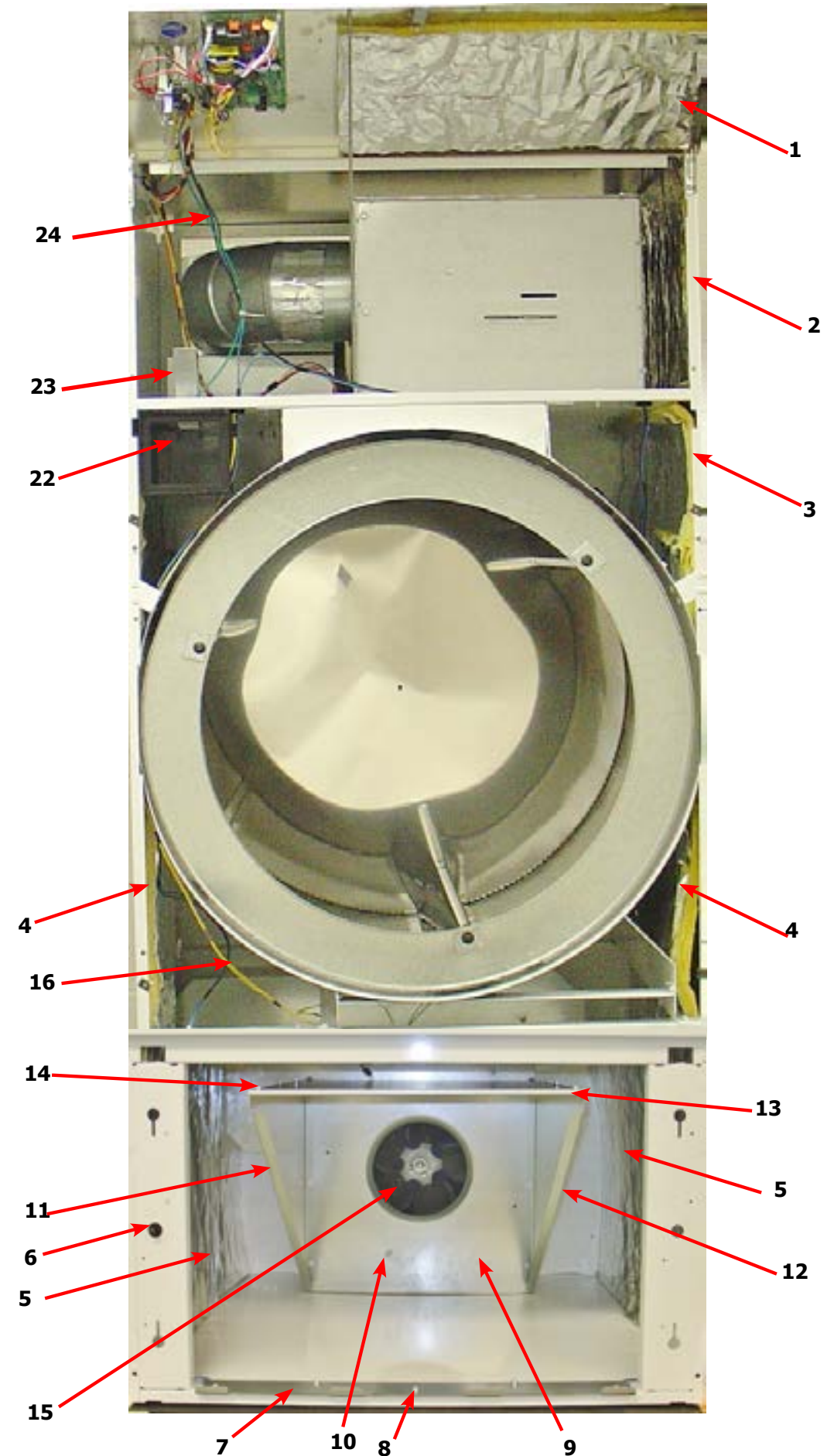
50Lb. & 80Lb. Temp Probe



19 16 17 18 21 20

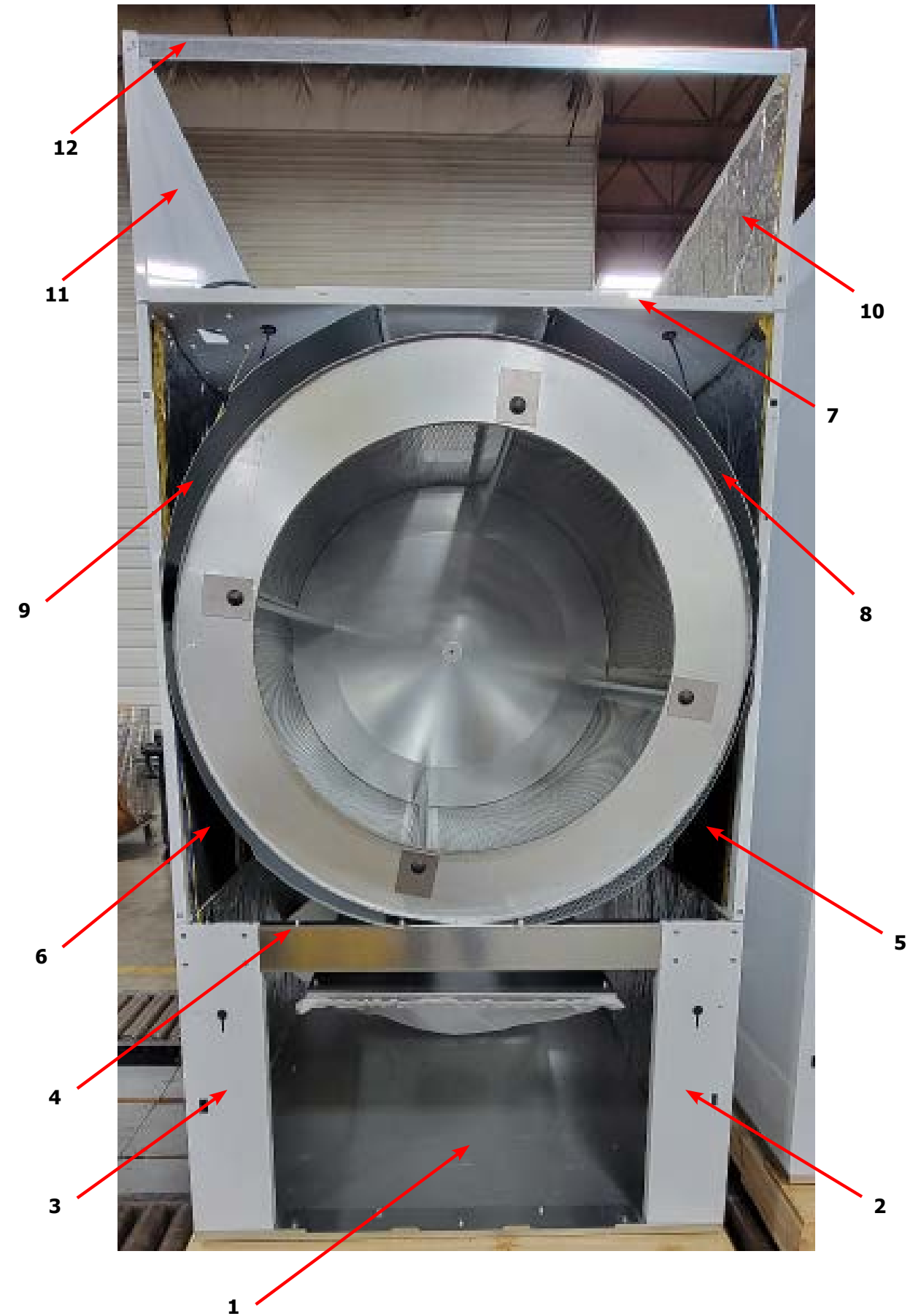


21 20 17 16



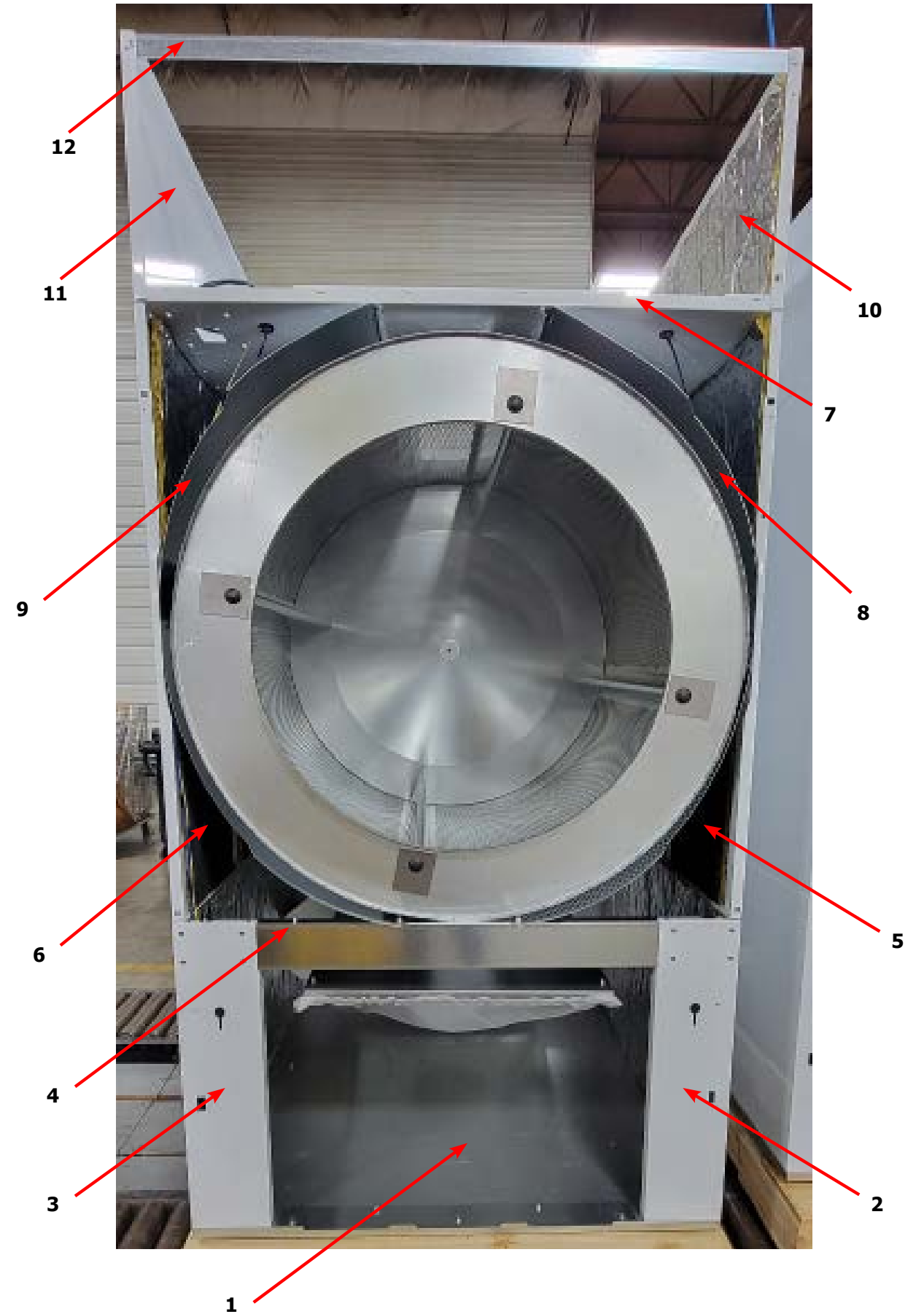
T-30 Modular Cabinet Parts Group

Key	Description	T30	QTY
1	Cabinet Base Assembly	9945-166-001	1
*	Lower Back Panel Assembly	9989-730-002	1
2	Lower Cabinet RH Side Panel	9444-109-003	1
3	Lower Cabinet LH Side Panel	9444-109-004	1
4	Lower Cabinet Front Channel	9081-224-001	1
*	Upper Back Panel Assembly	9989-731-002	1
5	RH Middle Side Panel Assembly	9444-111-003	1
6	LH Middle Side Panel Assembly	9444-111-004	1
7	Cabinet Top	9577-070-001	1
8	RH Baffle	9049-131-001	1
9	LH Baffle	9049-132-001	1
*	Baffle Angled Bracket	9029-371-001	2
*	Baffle Reinforcement	9489-059-001	3
*	Baffle Reinforcement with Thermistor Mount	9489-060-001	1
10	RH Upper Side Panel	9444-113-003	1
11	LH Upper Side Panel	9444-113-004	1
12	Upper Cross Brace	9046-107-001	1
*	10abx3/8 Screw	9545-008-024	25
*	3/16 Blind Rivet	9491-009-001	171
*	Wht 3/16 Blind Rivet	9491-009-005	48



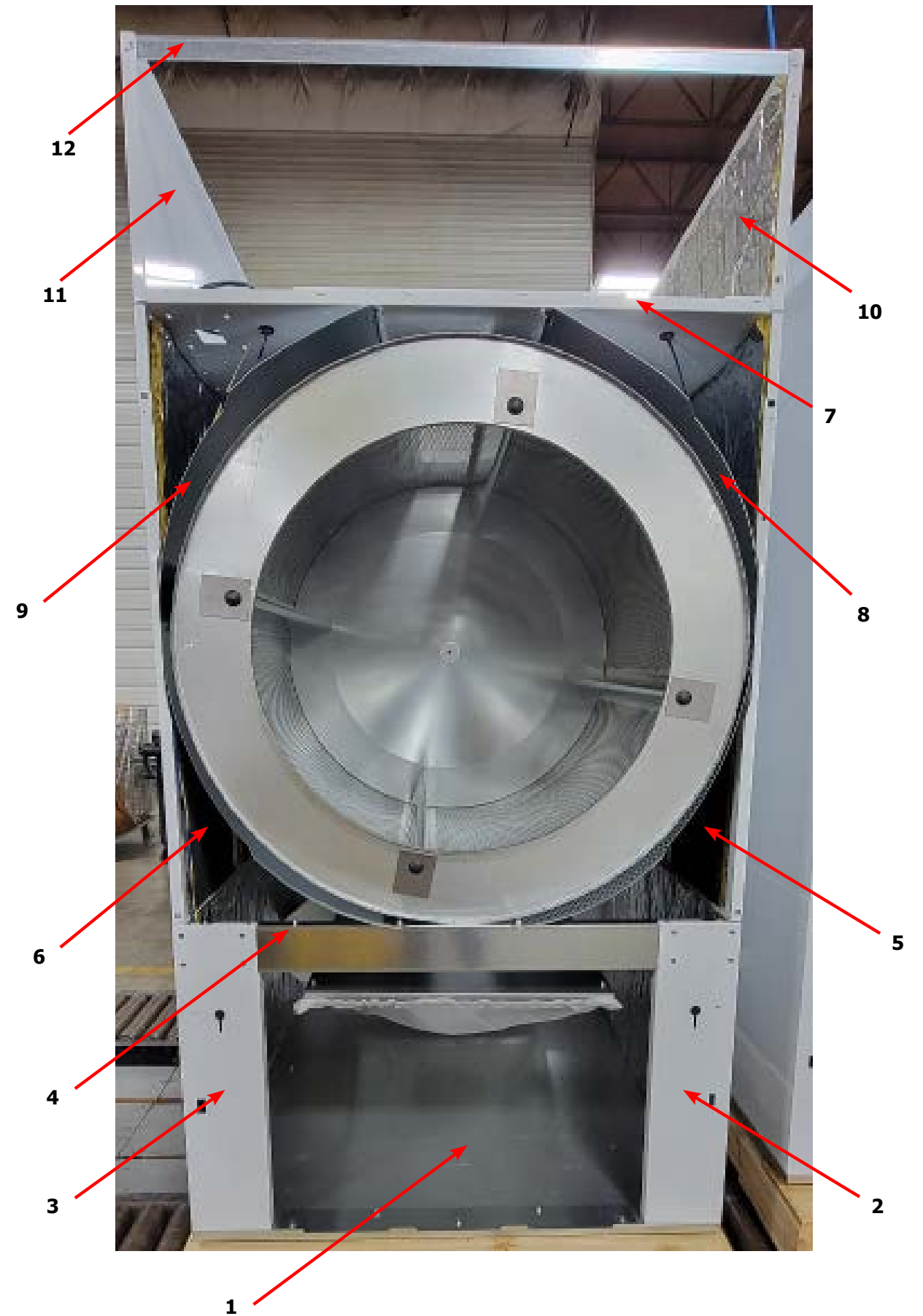
T-50 Modular Cabinet Parts Group

Key	Description	T50	QTY
1	Cabinet Base Assembly	9945-165-001	1
*	Lower Back Panel Assembly	9989-726-002	1
2	Lower Cabinet RH Side Panel	9444-104-003	1
3	Lower Cabinet LH Side Panel	9444-104-004	1
4	Lower Cabinet Front Channel	9081-222-001	1
*	Upper Back Panel Assembly	9989-727-002	1
5	RH Middle Side Panel Assembly	9989-728-003	1
6	LH Middle Side Panel Assembly	9989-728-004	1
7	Cabinet Top Assembly	9961-164-001	1
8	RH Baffle	9049-130-001	1
9	LH Baffle	9049-130-002	1
*	Baffle Stiffener Angle	9003-386-001	2
10	RH Upper Side Panel	9444-108-003	1
11	LH Upper Side Panel	9444-108-004	1
12	Upper Cross Brace	9046-105-001	1
*	10abx3/8 Screw	9545-008-024	21
*	Large Head Pop Rivet	8638-190-028	4
*	3/16 Blind Rivet	9491-009-001	122
*	Wht 3/16 Blind Rivet	9491-009-005	54



T-80 Modular Cabinet Parts Group

Key	Description	T80	QTY
1	Cabinet Base Assembly	9945-162-001	1
*	Lower Back Panel Assembly	9989-716-002	1
2	Lower Cabinet RH Side Panel	9444-091-003	1
3	Lower Cabinet LH Side Panel	9444-091-004	1
4	Lower Cabinet Front Channel	9081-217-001	1
*	Upper Back Panel Assembly	9989-717-002	1
5	RH Middle Side Panel Assembly	9989-718-003	1
6	LH Middle Side Panel Assembly	9989-718-004	1
7	Cabinet Top Assembly	9961-163-002	1
8	RH Baffle	9049-129-001	1
9	LH Baffle	9049-129-002	1
*	Baffle Stiffener Angle	9003-384-001	2
10	RH Upper Side Panel	9444-095-003	1
11	LH Upper Side Panel	9444-095-004	1
12	Upper Cross Brace	9046-104-001	1
*	Heavy Hex Nut 7/16-14	8640-416-001	6
*	Spring Lockwasher 7/16	8641-582-013	6
*	10abx3/8 Screw	9545-008-024	28
*	Large Head Pop Rivet	8638-190-028	4
*	3/16 Blind Rivet	9491-009-001	111
*	Wht 3/16 Blind Rivet	9491-009-005	54
*	Hex kep Nut 1/4-20unc, 2b	8640-414-006	10
*	LH Rear Side Angle	9003-326-002	1
*	RH Rear Side Angle	9003-327-002	1

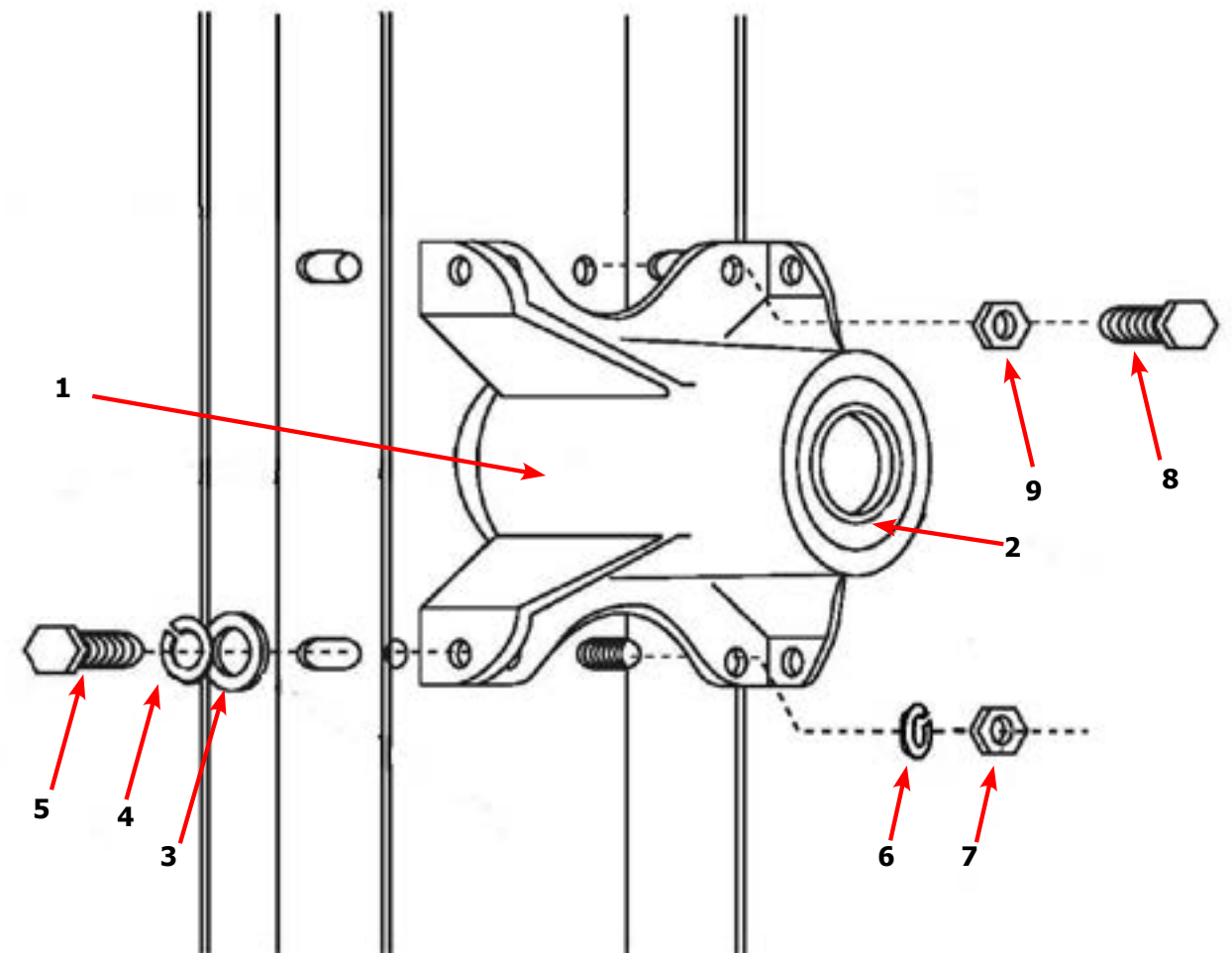
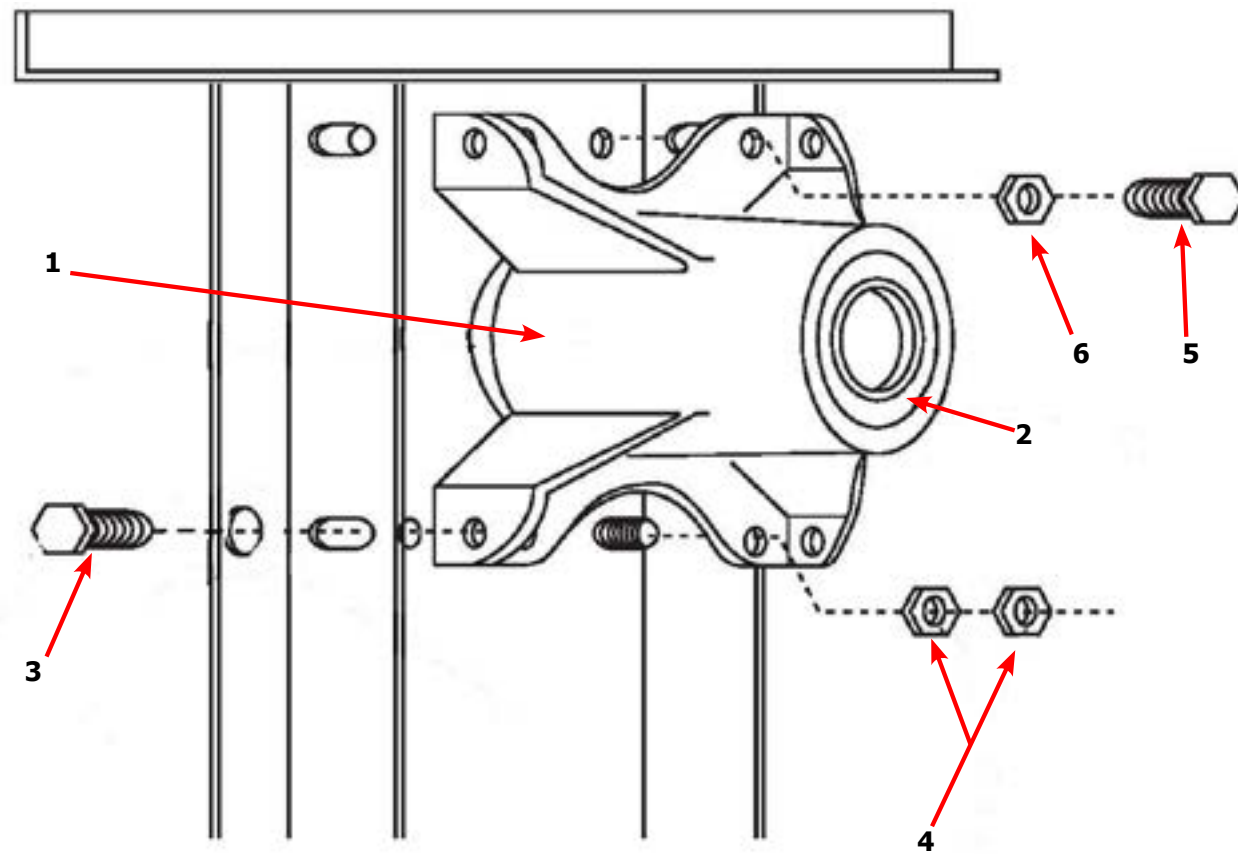


Bearing Housing Parts Group

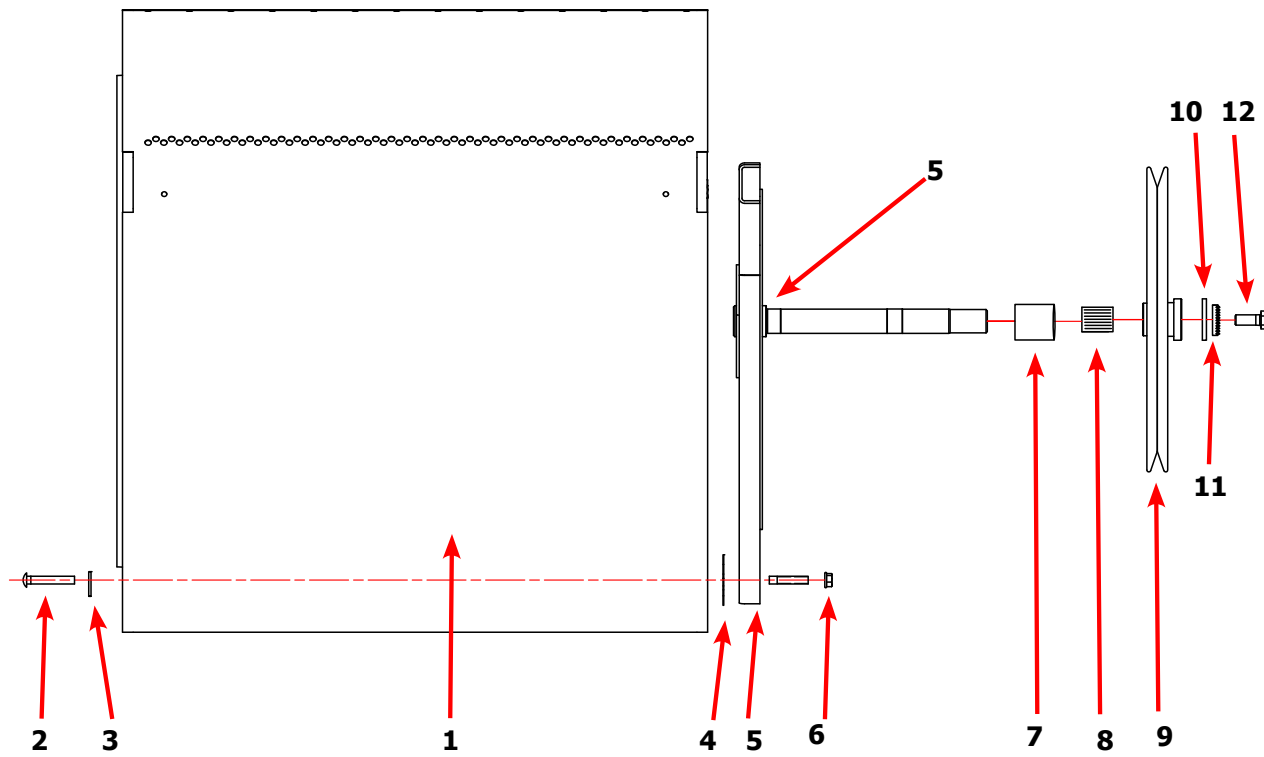
Key	Description	T-30	T-50	QTY
*	Bearing Housing Complete Assy. (Includes bearings & Spacer)	9803-160-003	9803-201-001	1
1	Housing, Bearing	9241-161-002	9241-189-002	1
*	Bearing, Ball, Front	9036-130-001	9036-159-001	1
*	Spacer, Bearing	9538-139-002	9538-183-001	1
2	Bearing, Ball, Rear	9036-130-001	9036-159-003	1
3	Screw	9545-049-002	9545-017-017	4
4	Nut, 5/16-18	8640-400-002	8640-417-002	4
5	Screw	9545-049-001	9545-017-018	2
6	Nut, 3/8-24	8640-415-002	8640-417-002	2
*	Shim, Tumbler	9538-139-002		AR

Bearing Housing Parts Group

Key	Description	T-80	QTY
*	Bearing Housing Complete Assy. (Includes bearings & Spacer)	9803-189-001	1
1	Housing, Bearing	9241-183-003	1
*	Bearing, Ball, Front	9036-159-002	1
2	Bearing, Ball, Rear	9036-159-001	1
3	Washer, Flat 1/2	8641-581-026	4
4	Lock Washer Spring, 1/2	8641-582-004	4
5	Screw, 1/2-13x1	9545-017-004	4
6	Lock Washer Spring, 1/2	8641-582-004	2
7	Nut, 7/16-14	8640-416-001	2
8	Screw, 7/16-14x1 1/2	9545-059-003	2
9	Nut, 7/16-14	8641-416-001	2

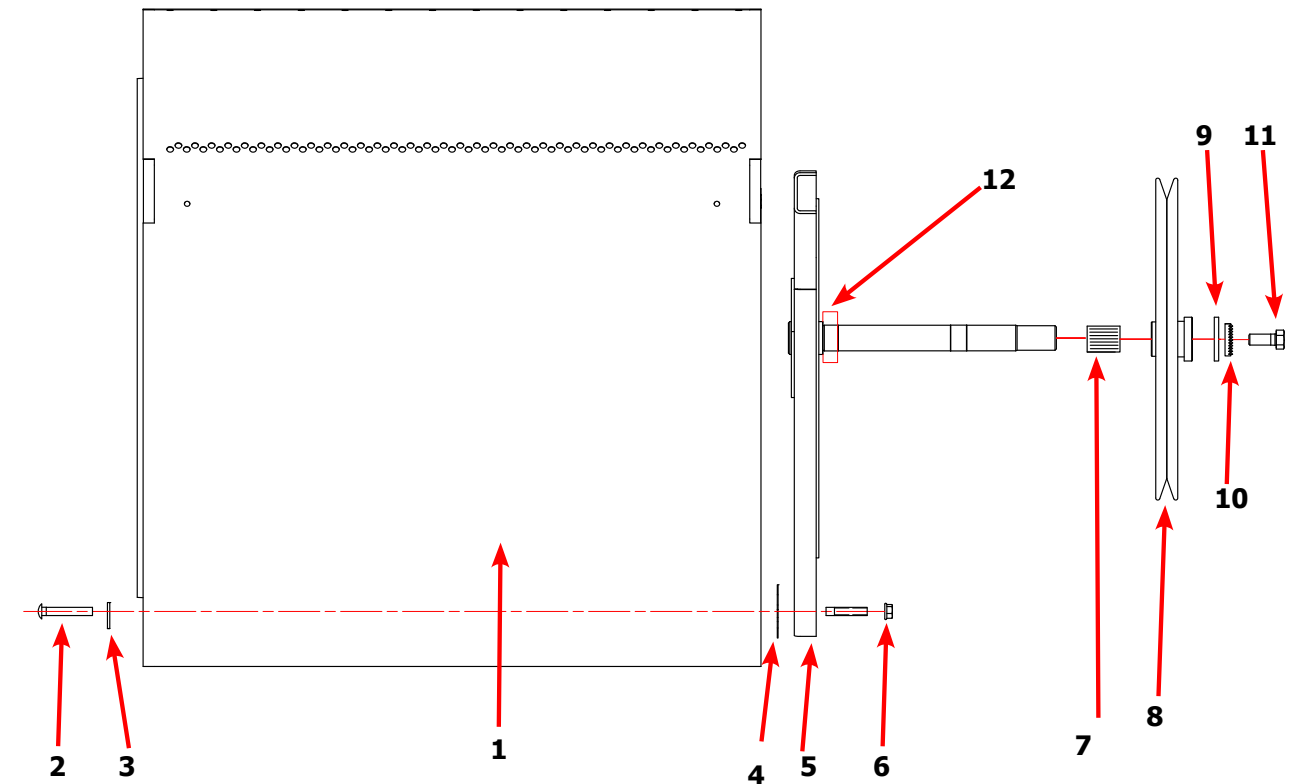


Tumbler Parts Group



Key	Description	T-30	T-50	QTY
*	Tumbler Assy. Complete W/ Spider (GALV)	9848-147-001	9848-149-001	1
1	Tumbler Assy. (Galvanized)	9848-146-001	9848-148-001	1
*	Tumbler Assy. Complete w/ Spider (SS)	9848-147-002	9848-149-002	1
*	Tumbler Assy (SS)	9848-147-001	9848-148-002	1
2	Rod, Tumbler	9497-226-003	9497-226-002	3
3	Washer, Special	8641-554-001	8641-590-002	3
4	Shim	9552-013-003	9552-013-000	AR
5	Spider Assy.	9568-015-001	9568-013-001	1
6	Nut, Wiz Lock	8640-415-004	8640-417-005	3
7	Spacer-Shaft	9538-164-001	9538-184-001	1
8	Tolerance Ring	9487-234-005	9487-234-005	1
9	Pulley, Driven	9908-049-002	9908-047-002	1
10	Washer -Flat	8641-581-026	8641-581-026	1
11	Lock Washer - IntTooth, 1"	8641-582-016	8641-582-016	1
12	Screw, 1/2-13x1 1/4	9545-017-009	9545-017-009	1

Tumbler Parts Group

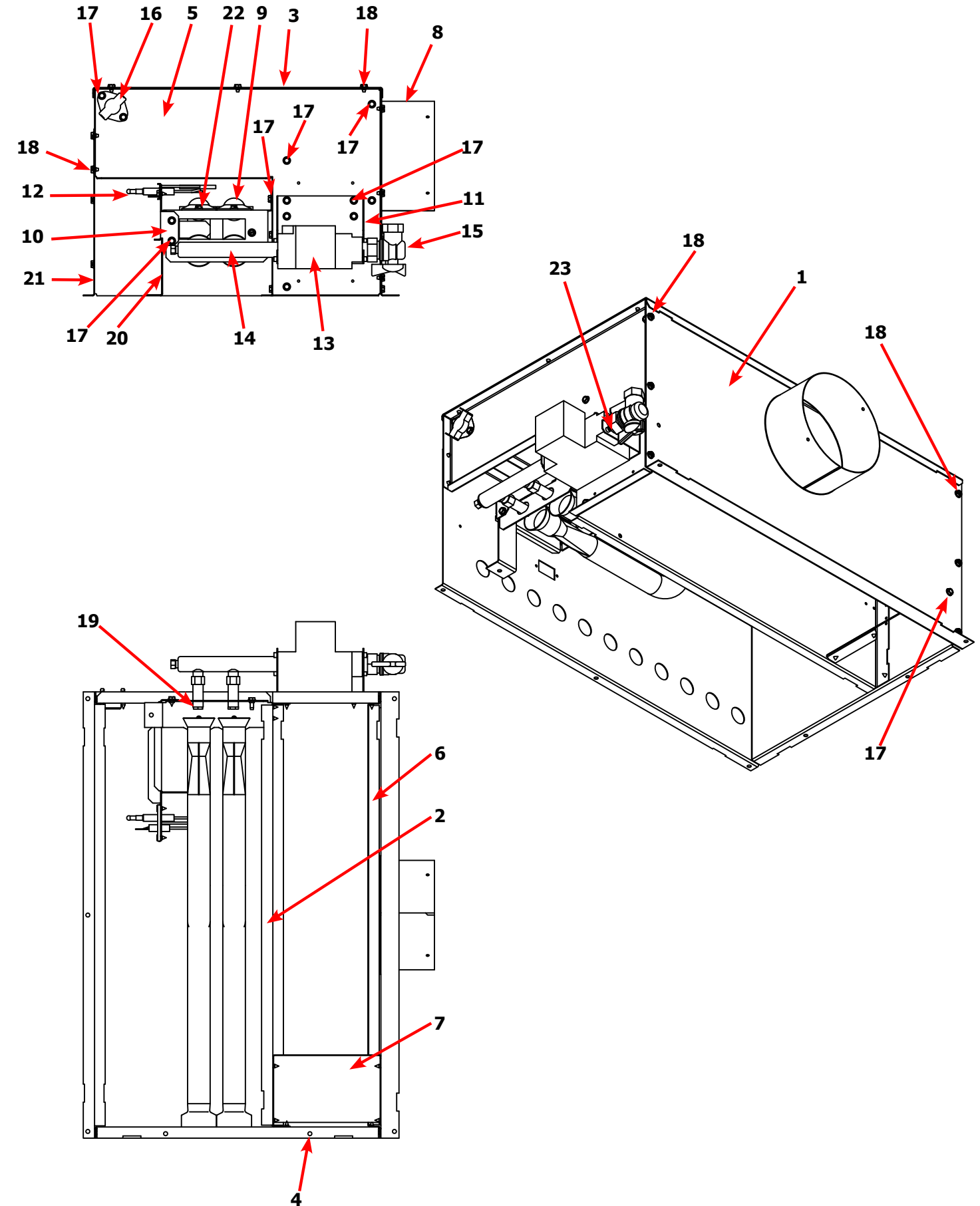


Key	Description	T-80	QTY
*	Tumbler Assy. Complete W/ Spider (GALV)	9848-151-001	1
1	Tumbler Assy. (Galvanized)	9848-150-001	1
1	Tumbler Assy. Complete W/ Spider (SS & Galv front)	9848-151-002	1
1	Tumbler Assy. (Stainless Galvanized front)	9848-150-002	1
2	Rod, Tumbler	9497-266-001	4
3	Washer, Special	8641-590-001	4
4	Shim	9552-013-000	AR
5	Spider Assy. w/ Front Bearing	9873-008-001	1
6	Nut, Wiz Lock	8640-417-005	4
7	Tolerance Ring	9487-234-001	1
8	Pulley, Driven	9908-043-002	1
9	Washer -Flat	8641-581-026	1
10	LockWasher - IntTooth, 1"	8641-582-016	1
11	Screw, 1/2-13x1 1/4	9545-017-009	1
12	Bearing, Front	9036-159-002	1

T-30 Burner Housing Parts Group

Key	Description	Part Number	Qty
*	Housing Assembly, Burner	9803-210-001	1
1	Panel-Burner Housing, Side Left	9454-845-001	1
2	Baffle-Burner Housing, Center	9049-091-001	1
3	Panel-Burner Housing, Top	9454-871-001	1
4	Panel-Burner Housing, Front	9454-847-001	1
5	Panel-Burner Housing, Back	9454-848-001	1
6	Baffle-Burner Housing, Recirculation	9049-092-001	1
7	Baffle-Burner Housing, Front	9049-093-001	1
8	Duct Adaptor, 6" x 3" long	9109-120-01	1
9	Burner, Main	9048-021-001	2
10	Bracket-Support, Electrode	9029-214-001	1
11	Bracket-Support, Gas Valve	9029-227-001	1
12	Electrode-Ignition	9875-002-003	1
13	Control Assy, Gas Valve, White Rodgers 36J	9857-192-001	1
14	Manifold Assy.	9381-009-007	1
15	Valve-Gas Shutoff (Optional)	9379-196-001	1
16	Thermostat-HI-Limit	9576-203-002	1
17	Screw, 10ABx3/8	9545-008-024	24
18	Screw, 10ABx1/4	9545-008-006	17
19	Orifice-Natural, .125	9425-069-023	2
*	Orifice-LP, #48	9425-069-003	2
*	Kit, LP Conversion, White Rodgers	9732-102-018	1
20	Bracket-Support, Burner	9029-225-001	1
21	Panel-Burner Housing, Side Right	9454-861-001	1
22	Screw, 10-32TTx1/2 Green	9545-008-027	3
23	Screw, 8-32x3/8	9545-010-014	4

Burner Housing Parts Group

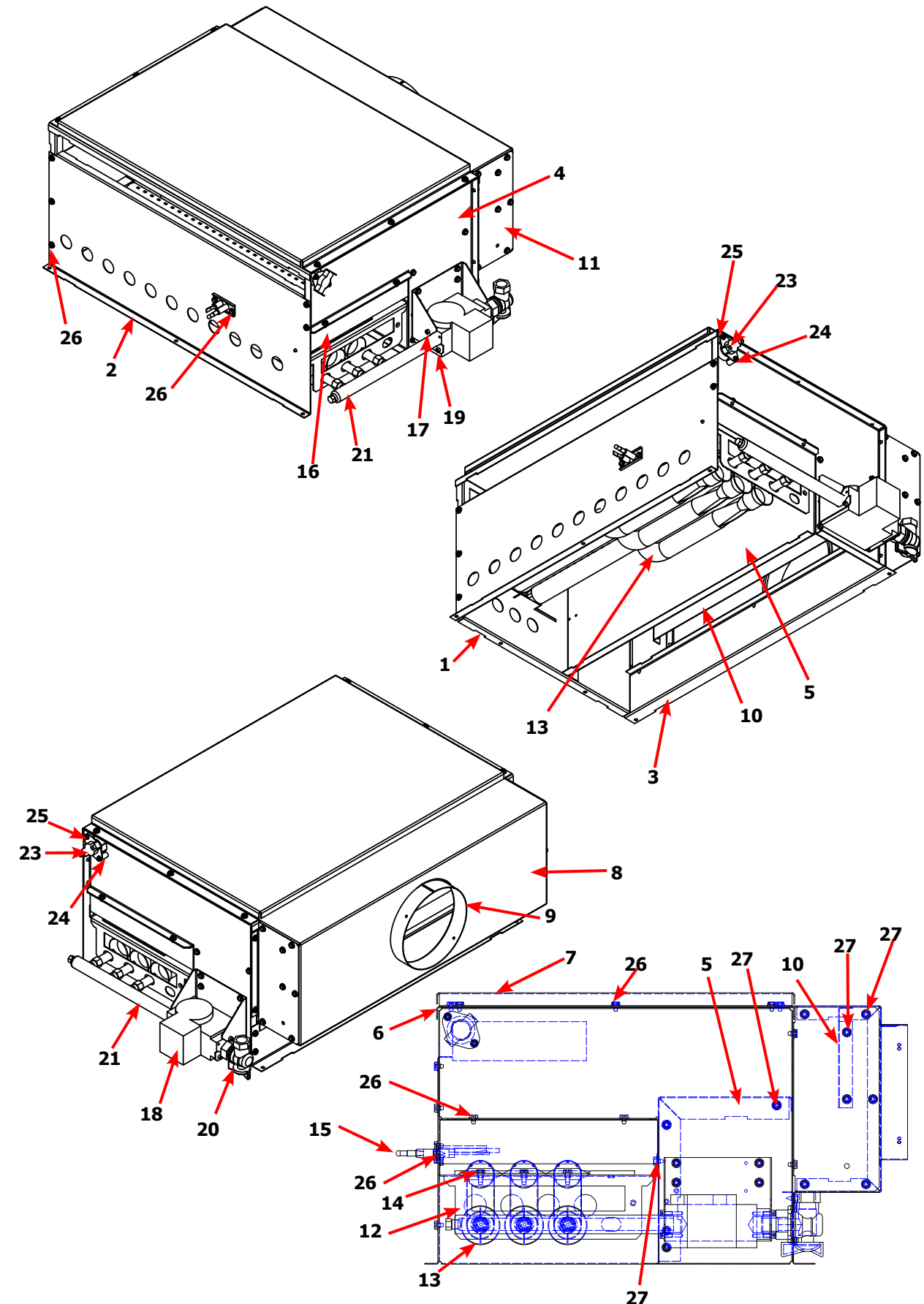



**Scroll down for
50lb and 80lb
Parts Breakdown**

T-50 Burner Housing Parts Group

Key	Description	Part Number	Qty
	Housing Assembly, Burner	9803-211-001	1
1	Panel-Burner Housing, Front	9454-863-001	1
2	Panel-Burner Housing, Side Right	9454-861-001	1
3	Panel-Burner Housing, Side Left	9454-862-001	1
4	Panel-Burner Housing, Back	9454-864-001	1
5	Baffle-Burner Housing, Center	9049-098-001	1
6	Panel-Burner Housing, Top	9454-849-001	1
7	Panel-Burner Housing, Top	9074-343-001	1
8	Baffle-Burner Housing, Extension	9049-100-001	1
9	Duct Adaptor, 6"x1.25" long	9109-120-003	1
10	Baffle-Burner Housing, Recirculation	9049-099-001	1
11	Side-Extension Baffle, Burner Housing	9551-049-001	2
12	Bracket-Support, Burner	9029-213-001	1
13	Burner, Main	9048-021-001	3
14	Screw, 10T-32x1/2	9545-008-008	3
15	Electrode-Ignition	9875-002-003	1
16	Cover-Burner, Inlet	9074-344-001	1
17	Bracket-Support, Gas Valve	9029-227-001	1
18	Control Assy, Gas Valve, White Rodgers 36J	9857-192-001	1
19	Screw, #8-32x3/8	9545-010-014	4
20	Valve-Gas Shutoff, (Optional)	9379-196-001	1
21	Manifold Assy.	9381-010-003	1
*	Orifice-Natural, #30	9425-069-002	3
*	Orifice-LP, #48	9425-069-003	3
*	Kit, LP Conversion, White Rodgers	9732-102-017	1
23	Thermostat-HI-Limit	9576-203-002	1
24	Spacer-1/4x5/8 long	9538-166-009	2
25	Screw-8Bx1	9545-045-013	2
26	Screw, 10Bx1/4	9545-008-001	22
27	Screw, 10ABx3/8	9545-008-024	31

Burner Housing Parts Group

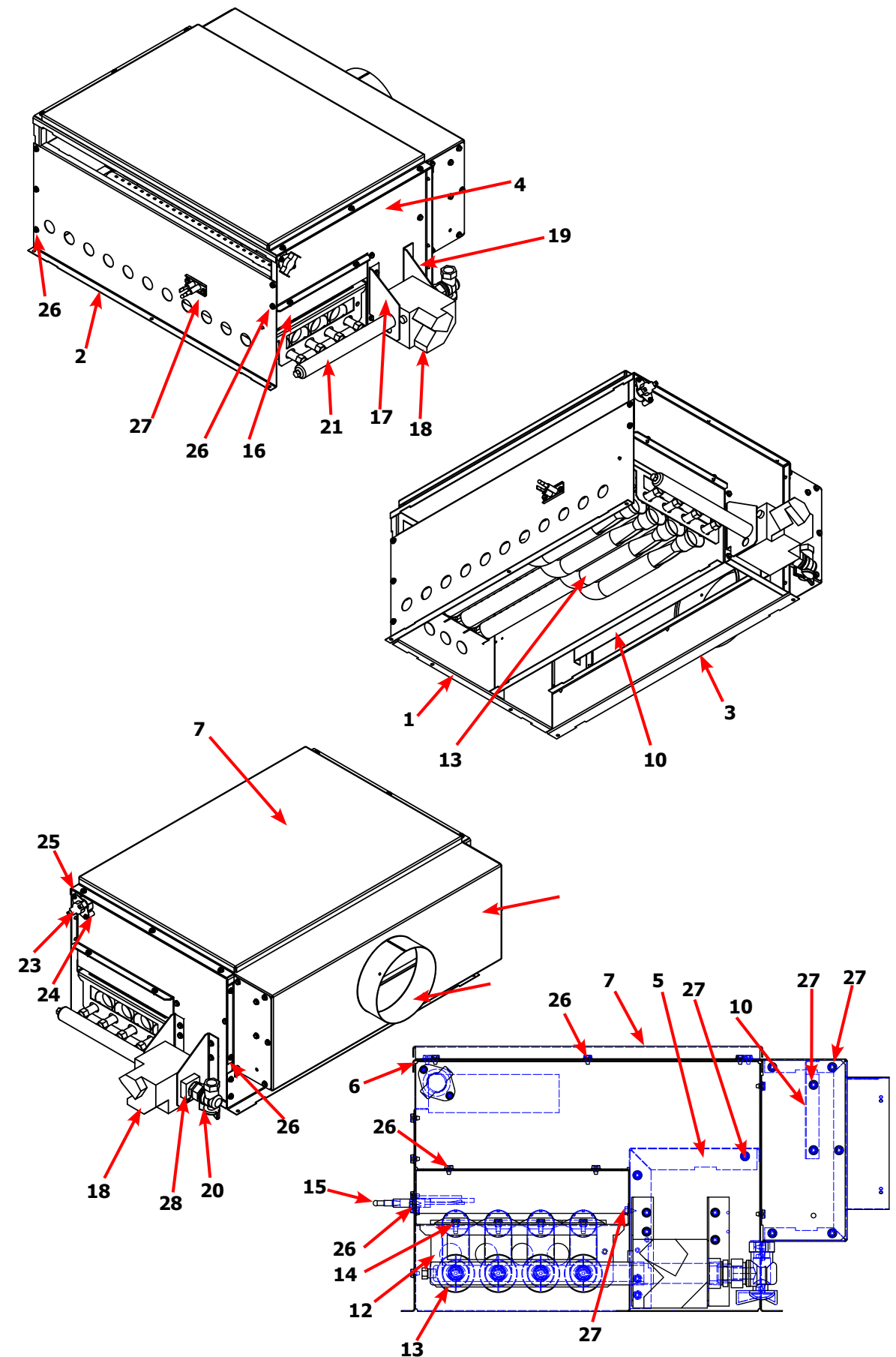



**Scroll down for
80lb Parts
Breakdown**

T-80 Burner Housing Parts Group

Key	Description	Part Number	Qty
	Housing Assembly, Burner	9803-212-001	1
1	Panel-Burner Housing, Front	9454-863-001	1
2	Panel-Burner Housing, Side Right	9454-861-001	1
3	Panel-Burner Housing, Side Left	9454-862-001	1
4	Panel-Burner Housing, Back	9454-864-001	1
5	Baffle-Burner Housing, Center	9049-098-001	1
6	Panel-Burner Housing, Top	9454-849-001	1
7	Panel-Burner Housing, Top	9074-343-001	1
8	Baffle-Burner Housing, Extension	9049-100-001	1
9	Duct Adaptor, 6"x1.25" long	9109-120-002	1
10	Baffle-Burner Housing, Recirculation	9049-099-001	1
11	Side-Extension Baffle, Burner Housing	9551-049-001	2
12	Bracket-Support, Burner	9029-213-001	1
13	Burner, Main	9048-021-001	4
14	Screw, 10T-32x1/2	9545-008-008	4
15	Electrode-Ignition	9875-002-003	1
16	Cover-Burner, Inlet	9074-344-001	1
17	Bracket-Support, Gas Valve	9029-234-001	1
18	Control Assy. Gas Valve, White Rodgers 36J	9857-193-001	1
19	Bracket-support, Gas Valve Left hand	9029-235-001	4
20	Valve-Gas Shutoff, (Optional)	9379-196-001	1
21	Manifold Assy.	9381-014-001	1
22	Orifice-Natural, #29	9425-069-021	3
*	Orifice-LP, #46	9425-069-022	3
*	Kit, LP Conversion, White Rodgers	9732-102-023	1
23	Thermostat-HI-Limit	9576-203-002	1
24	Spacer-1/4x5/8 long	9538-166-009	2
25	Screw-8Bx1	9545-045-013	2
26	Screw, 10Bx1/4	9545-008-001	22
27	Screw, 10ABx3/8	9545-008-024	31
28	Bushing-Reducer, 3/4x1/2	8615-104-009	1

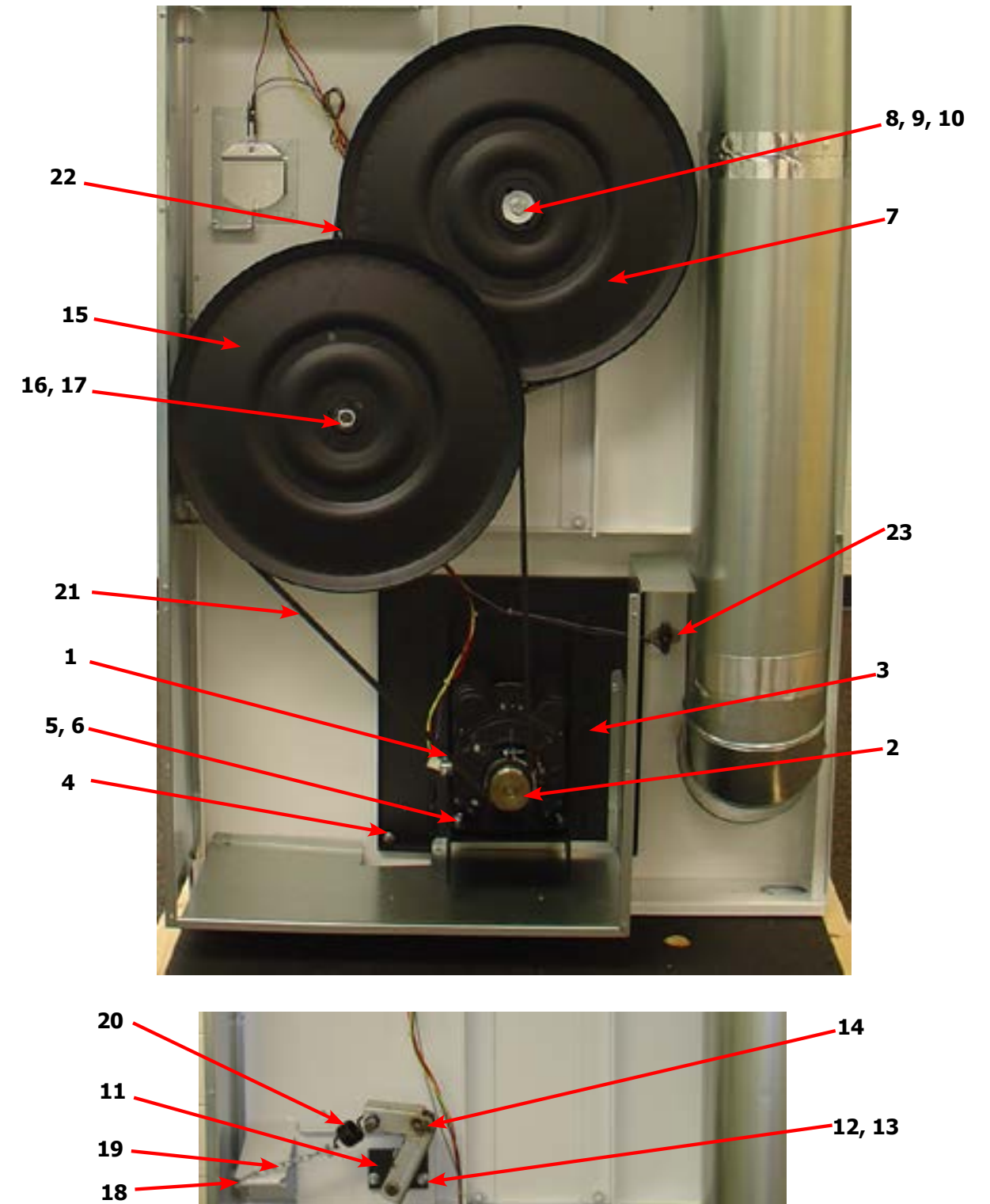
Burner Housing Parts Group



Rear View Parts Group - Non-Reversing Only

Key	Description	T-30	T-50	T-80	QTY
1	Motor	9376-311-003	9376-317-003	9376-317-003	1
*	Run Capacitor, Motor		5191-108-001	5191-108-001	1
*	Start Capacitor, Motor		5191-109-001	5191-109-001	1
2	Pulley	9453-157-001	9453-169-013	9453-157-001	1
*	Set screw	9545-028-013	9545-028-013	9545-028-013	1
3	Plate, Motor mounting	9982-370-002	9982-370-002	9982-372-002	1
*	Gasket, Motor Plate	9206-428-001	9206-428-001	9206-428-001	1
4	Nut-3/8-16, Plate to cabinet	8640-415-004	8640-415-004	8640-415-004	4
*	Impeller w/ set screw	9278-043-001	9278-038-004	9278-037-003	1
5	Screw, 5/16-18x5/8	9545-014-004	9545-014-004	9545-014-004	4
6	Nut, 3/8-16	8640-415-004	8640-415-004	8640-400-003	4
*	Tolerance Ring	9487-234-005	9487-234-005	9487-234-001	1
7	Pulley, Driven	9908-049-002	9908-047-002	9908-043-002	1
8	Washer-Flat, 1/2	8641-581-021	8641-581-026	8641-581-026	1
9	Washer-Lock, Ext. tooth, 1/2	8641-582-016	8641-582-016	8641-582-016	1
10	Bolt-3/4, 1/2-13x1/14	9545-017-019	9545-017-009	9545-017-009	1
11	Support Arm, Intermediate pulley	9991-053-001	9991-053-002	9991-053-002	1
12	Bolt- 3/8-16x1 1/4	9545-029-010	9545-029-010	9545-029-010	3
13	Nut, Wizlock, 3/8x16	8640-415-004	8640-415-004	8640-415-004	3
*	Cap Screw, 3/8-16x1 1/2	9545-029-012	9545-029-012	9545-029-002	1
*	Snap Ring	9487-200-003	9487-200-003	9487-200-003	1
*	Washer-Flat, 3/8x1	8641-581-035	8641-581-035	8641-581-020	1
14	Idler Arm Assembly	9861-022-001	9861-022-002	9861-024-004	1
*	Snap Ring			9487-200-006	2
*	Washer-Flat, 3/8x1	8641-581-035	8641-581-035	8641-581-039	2
15	Pulley, Idler w /Bearings	9908-048-003	9908-048-003	9908-042-006	1
*	Snapring, Inside-Bearing			9487-238-005	1
*	Bearing, Ball			9036-159-007	2
*	Bearing, Bronze	9036-145-002	9036-145-002		2
*	Spacer, Bearing			9538-173-002	1
*	Snap Ring	9487-200-003	9487-200-003		2
16	Washer-Flat			8641-581-039	1
17	Nut, 5/8-11			8640-425-002	1
18	Hook "S" type	9248-022-002	9248-022-002	9248-022-002	3
19	Chain, Spring tension	9099-012-002	9099-012-002	9099-012-002	1
20	Spring, tension	9534-319-002	9534-369-001	9534-369-001	1
*	Limit Chain	9099-012-007			1
21	Belt Drive	9040-076-003	9040-076-006	9040-076-011	1
22	Belt, Driven	9040-073-009	9040-073-011	9040-073-012	1
23	Thermostat-Overtemp, Reset	9576-213-001	9576-213-001	9576-213-001	1

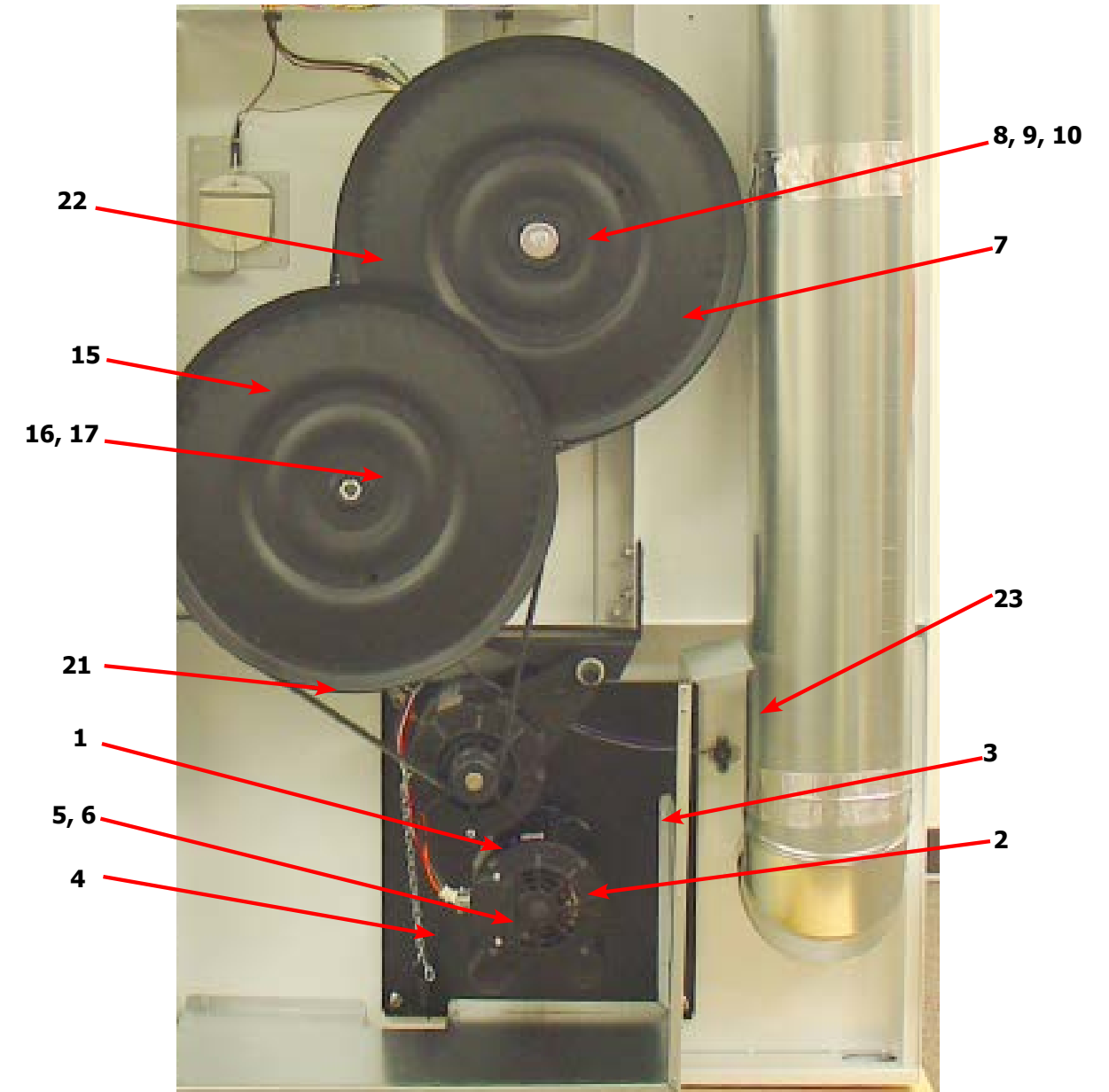
Rear View Parts Group - Non-Reversing Only



T-80 Rear View Parts Group - Reversing Only

Key	Description	T-80 Rev	QTY
1	Plate-Motor Mounting, Reversing	9982-373-002	1
2	Screw-Hex cap,3/8-16x1"	9545-029-005	4
3	Nut-Wizlock, 3/8-16	8640-415-004	4
4	Motor-Drive, Inverter	9376-307-003	1
*	Bushing-Motor mounting	9053-074-002	2
5	Rod-Motor Mounting	9497-222-008	1
6	Collar-s/Set Screws	9076-052-002	2
7	Pulley-Motor Drive	9453-169-012	1
*	Screw-Set, 5/16-18x1/2"	9545-028-013	2
8	Chain-Motor Tension	9099-012-008	1
9	Spring, Motor Tension	9534-319-002	1
10	Motor, Blower	9376-322-001	4
*	Run Capacitor, Motor	5191-108-003	1
*	Start Capacitor, Motor	5191-109-003	1
*	Screw HXCAP, 3/8-16x3/4 (Motor mounting to Plate)	9545-029-008	4
*	Lock-Washer, 3/8" (Motor mounting to Plate)	8641-582-003	4
11	Plate, Motor Blower	9982-352-002	1
*	Gasket, Motor Plate	9206-428-001	1
12	Nut-3/8-16, Plate to cabinet	8640-415-004	4
*	Impeller w/set screw	9278-037-003	1
*	Tolerance Ring	9487-234-001	1
13	Pulley, Driven	9908-043-002	1
14	Washer-Flat, 1/2	8641-581-026	1
15	Washer-Lock, Ext. tooth, 1/2	8641-582-016	1
16	Bolt-3/4, 1/2-13x1/14	9545-017-009	1
*	Support Arm, Intermediate pulley	9991-053-002	1
*	Bolt- 3/8-16x1 1/4	9545-029-010	3
*	Nut, Wizlock, 3/8x16	8640-415-004	3
*	Cap Screw, 3/8-16x1 1/2	9545-029-012	1
*	Snap Ring	9487-200-003	1
*	Washer-Flat, 3/8x1	8641-581-035	1
*	Idler Arm Assembly	9861-024-002	1
*	Snap Ring	9487-200-006	
*	Washer-Flat, 3/8x1	8641-581-039	1
17	Pulley, Idler w/Bearings	9908-042-006	1
*	Snpring, Inside-Bearing	9487-238-005	1
18	Bearing, Ball	9036-159-007	2
*	Spacer, Bearing	9538-173-002	1
19	Washer-Flat	8641-581-039	1
20	Nut, 5/8-11	8640-425-002	1
*	Hook "S" type	9248-022-002	3
*	Chain, Spring tension	9099-012-009	1
*	Spring, tension	9534-151-000	1
21	Belt Drive	9040-076-003	1
22	Belt, Driven	9040-073-012	1
23	Thermostat-Overtemp, Reset	9576-213-001	1

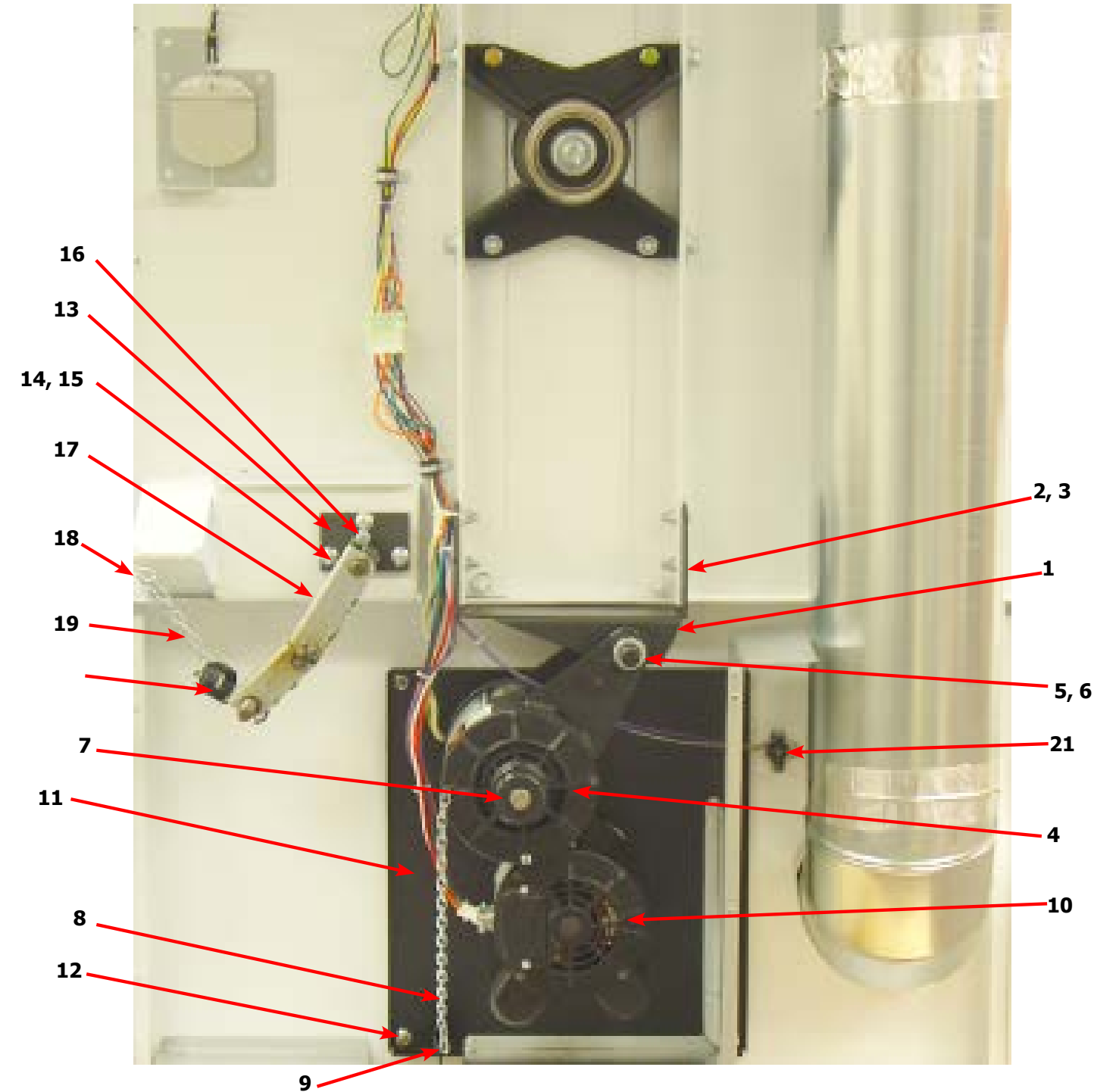
T-80 Rear View Parts Group - Reversing Only



T-80 Rear View Parts Group - Reversing Only

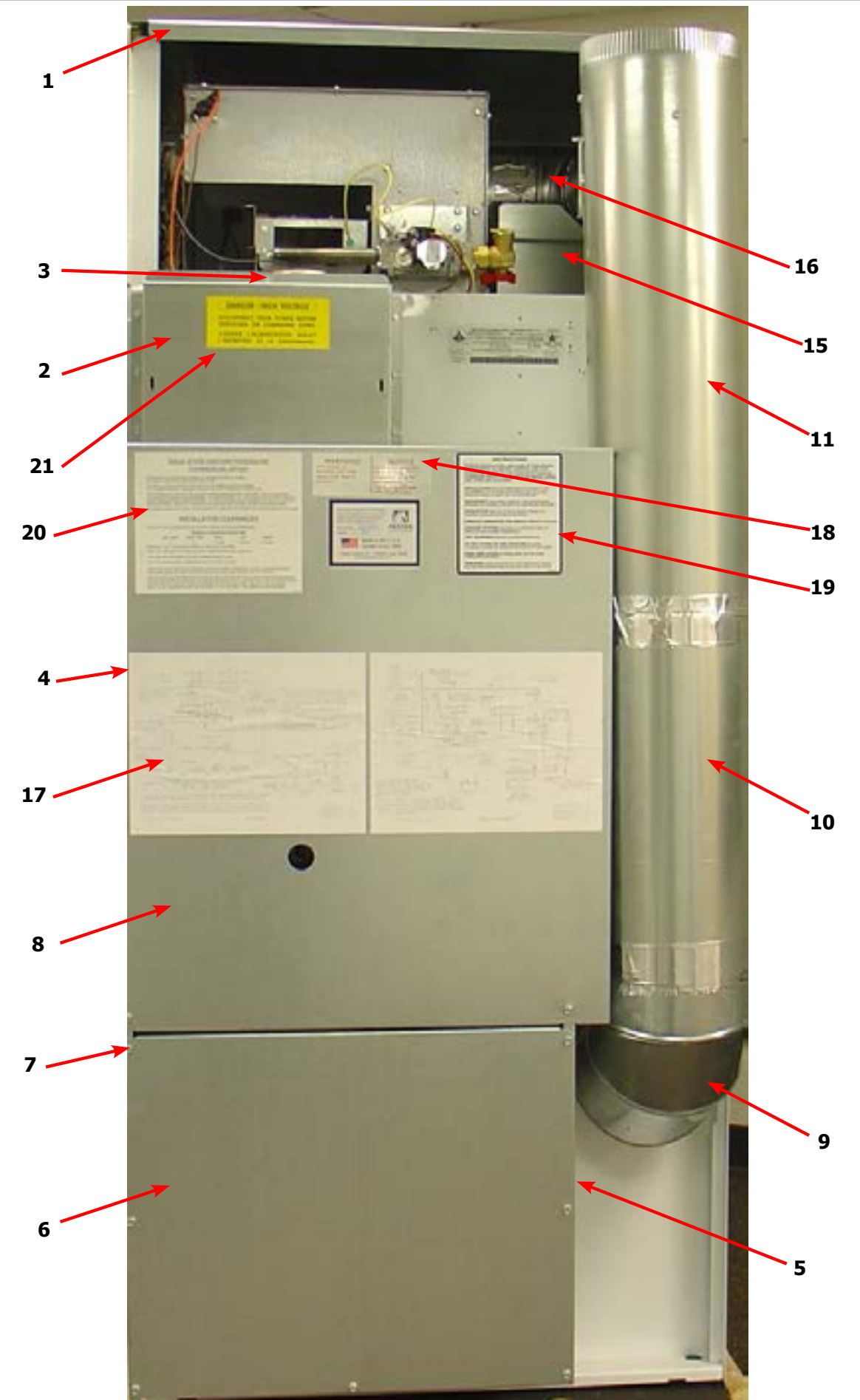
Key	Description	T-80 Rev	QTY
1	Plate-Motor Mounting, Reversing	9982-373-001	1
2	Screw-Hex cap,3/8-16x1"	9545-029-005	4
3	Nut-Wizlock, 3/8-16	8640-415-004	4
4	Motor-Drive, Inverter	9376-307-003	1
*	Bushing-Motor mounting	9053-074-002	2
5	Rod-Motor Mounting	9497-222-008	1
6	Collar-s/Set Screws	9076-052-002	2
7	Pulley-Motor Drive	9453-169-012	1
*	Screw-Set, 5/16-18x1/2"	9545-028-013	2
8	Chain-Motor Tension	9099-012-008	1
9	Spring, Motor Tension	9534-319-002	1
10	Motor, Blower	9376-322-001	1
*	Capacitor, Motor Run	5191-108-003	1
*	Capacitor, Motor Start	5191-109-003	1
*	Screw HXCAP, 3/8-16x3/4 (Motor mounting to Plate)	9545-029-008	4
*	Lock-Washer, 3/8" (Motor mounting to Plate)	8641-582-003	4
11	Plate, Motor mounting	9982-352-002	1
*	Gasket, Motor Plate	9206-428-002	1
12	Nut-3/8-16, Plate to cabinet	8640-415-004	4
*	Impeller w/set screw	9278-037-003	1
13	Support Arm, Intermediate pulley	9991-053-002	1
14	Bolt- 3/8-16x1 1/4	9545-029-010	3
15	Nut, Wizlock, 3/8x16	8640-415-004	3
16	Cap Screw, 3/8-16x1 1/2	9545-029-012	1
*	Snap Ring	9487-200-003	1
*	Washer-Flat, 3/8x1	8641-581-035	1
17	Idler Arm Assembly	9861-024-002	1
*	Snap Ring	9487-200-006	1
*	Washer-Flat, 3/8x1	8641-581-039	1
18	Hook "S" type	9248-022-002	3
19	Chain, Spring tension	9099-012-002	1
20	Spring, tension	9534-151-000	1
21	Thermostat-Overtemp, Reset	9576-207-006	1

T-80 Rear View Parts Group - Reversing Only



Dryer Rear View-Guard & Exhaust

Key	Description	T-30	T-50	T-80 Rev/Non-Rev	QTY
1	Cover Cabinet	9074-347-001	9074-348-001	9074-349-001	1
*	Screw-5/16, 10ABx3/8	9545-008-024	9545-008-024	9545-008-024	AR
2	Cover-Control Box	9074-346-001	9074-346-001	9074-346-001	1
3	Screw-5/16, 10ABx3/8	9545-008-024	9545-008-024	9545-008-024	AR
4	Guard, RH	9208-093-001	9208-097-001	9208-101-001	1
*	Screw-5/16, 10ABx3/8	9545-008-024	9545-008-024	9545-008-024	AR
5	Guard Base & LH	9208-094-001	9208-098-001	9208-102-001	1
*	Screw-5/16, 10ABx3/8	9545-008-024	9545-008-024	9545-008-024	AR
6	Guard-Lower	9208-095-001	9208-099-002	9208-103-001	1
7	Screw-5/16, 10ABx3/8	9545-008-024	9545-008-024	9545-008-024	AR
8	Guard-upper	9208-096-001	9208-100-001	9208-104-001	1
*	Screw-5/16, 10ABx3/8	9545-008-024	9545-008-024	9545-008-024	AR
9	Elbow-90 degree, 8"	9042-039-001	9042-039-001	9042-039-001	1
10	Pipe-Duct, 8"	9109-121-001	9109-121-001	9109-121-002	1
11	Tee-Duct, Recirculation, 8"-6"	9810-018-001	9810-018-001	9810-019-001	1
12	Damper	9125-002-001	9125-002-001	9125-008-001	1
*	Pin-Damper, Hinge	9451-146-002	9451-146-002	9451-146-002	1
*	Nut-Spring	8520-141-000	8520-141-000	8520-141-000	2
13	Bracket-Recirculation Duct, Small	9029-228-001	9029-228-001	9028-228-001	1
14	Pipe-Duct, 6"	9109-122-001	9109-122-002	9109-122-003	1
15	Bracket-Duct, Recirculation Large	9029-246-001	9029-247-001	9029-247-001	1
16	Elbow-90 degree, 6"	9142-039-002	9142-039-002	9142-039-002	1
*	Operators Manual	8514-234-001	8514-234-001	8514-234-001	1
17	Diagram & Schematics	9506-546-001	9506-546-001	9506-546-001	1
18	Label-Warning & Notice	8502-763-001	8502-763-001	8502-6763-001	1
19	Label-Instructions	8502-645-001	8502-645-001	8502-645-001	1
20	Decal-Lighting & Clearance	8527-151-001	8527-151-001	8527-151-001	1
21	Label-High Voltage	8502-614-004	8502-614-004	8502-614-004	1
*	8" Slide Open Clean Out Duct	9973-034-001	9973-034-001	9973-034-001	1



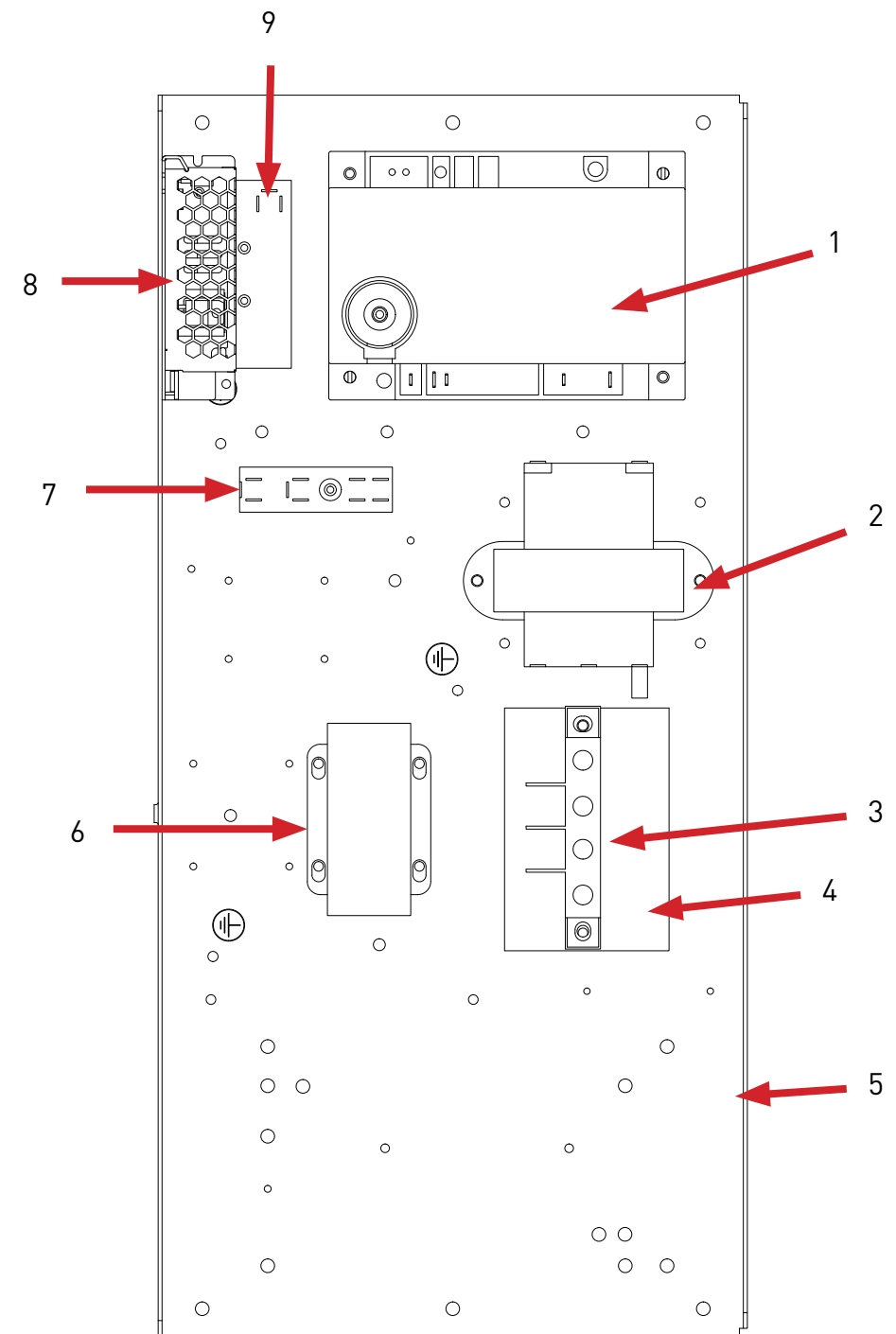
Electrical Box Parts Group - Non-Reversing Only

Key	Description	T-30	T-50	T-80	QTY
*	Complete Control Assembly	9857-293-001	9857-294-001	9857-295-001	1
1	Ignition Control	9857-182-001	9857-182-001	9857-182-001	1
*	Screw-#10bx1/2	9545-045-007	9545-045-007	9545-045-007	2
2	Transformer	8711-007-002	8711-007-002	8711-007-002	1
3	Main Power Terminal Block	9897-035-001	9897-035-001	9897-035-001	1
4	Terminal Marker	9558-029-003	9558-029-003	9558-029-003	1
*	Screw-#10bx1/2	9545-008-026	9545-008-026	9545-008-026	2
5	Control Box Wrapper	9636-203-001	9636-203-001	9636-203-001	1
6	Motor Relay	5192-299-002	5192-299-002	5192-299-002	1
*	Screw-10abx3/8	9545-008-024	9545-008-024	9545-008-024	2
7	Terminal Block	9897-039-001	9897-039-001	9897-039-001	1
*	Screw-6bx3/8	9545-031-003	9545-031-003	9545-031-003	1
8	DC Power Supply	9150-054-001	9150-054-001	9150-054-001	1
*	Screw-6abx3/4	9545-031-010	9545-031-010	9545-031-010	2
9	Terminal Block	9897-026-002	9897-026-002	9897-026-002	1
*	Wire Assembly-Jumper, blk/brn 15"	8220-113-006	8220-113-006	8220-113-006	1
*	Wire Assembly-Jumper, blk/org 15"	8220-113-007	8220-113-007	8220-113-007	1
*	Wire Assembly-blk/brn 15"	8220-146-011	8220-146-011	8220-146-011	1
*	Wire Assembly-blk/org 15"	8220-146-012	8220-146-012	8220-146-012	1
*	Wire Assembly-wht/org 14"	8220-062-054	8220-062-054	8220-062-054	1
*	Wiring Harness-Ignition Control	9627-867-014	9627-867-014	9627-867-014	1
*	Wire Assembly-grn/yel 7"	8220-137-002	8220-137-002	8220-137-002	1
*	Screw-10-32tx1/2grn	9545-008-027	9545-008-027	9545-008-027	1
*	Lockwasher-exttooth,#10	8641-582-006	8641-582-006	8641-582-006	1
*	Wire Assembly-High Voltage	9631-403-009	9631-403-009	9631-403-009	1
*	Bracket-Control Box	9029-294-001	9029-294-001	9029-254-001	1
*	Screw-10abx3/4	9545-008-024	9545-008-024	9545-008-024	6
*	Wire Assembly-blk/brn 9"	8220-146-008	8220-146-008	8220-146-008	1
*	Wire Assembly-blk/org 9"	8220-146-009	8220-146-009	8220-146-009	1

50Hz Electrical Box Parts Group Only

Key	Description	T-30	T-50	T-80	QTY
*	Complete Control Assembly	9857-293-002	9857-294-002	9857-295-003	1
*	Wire Assembly-Jumper, blk/white 15"	8220-113-008	8220-113-008	8220-113-008	1
*	Wire Assembly-blk/wht 9"	8220-146-010	8220-146-010	8220-146-010	1
*	Wire Assembly-blk/wht 15"	8220-146-013	8220-146-013	8220-146-013	1
*	Terminal Strip Marker	9558-029-004	9558-029-004	9558-029-004	1

Electrical Box Parts Group



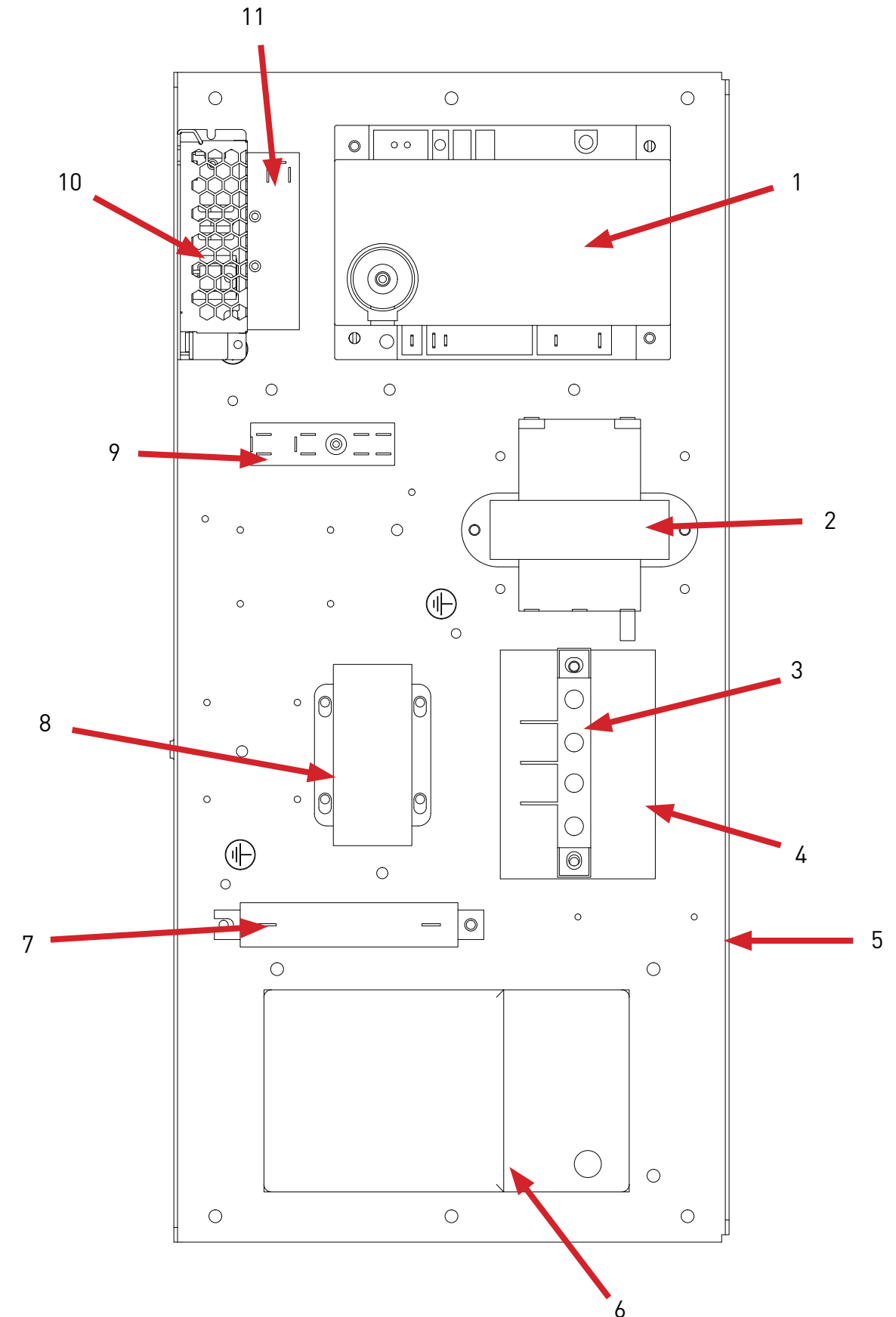
Electrical Box Parts Group - Reversing Only

Key	Description	T-80 Rev	QTY
*	Complete Control Assembly	9857-295-002	1
1	Ignition Control	9857-182-001	1
*	Screw-#10bx1/2	9545-045-007	2
2	Transformer	8711-007-002	1
3	Main Power Terminal Block	9897-035-001	1
4	Terminal Marker	9558-029-003	1
*	Screw-#10bx1/2	9545-008-026	2
5	Control Box Wrapper	9636-203-001	1
6	VFD	9375-033-010	1
7	Braking Resistor 2000hm	9483-004-002	1
8	Motor Relay	5192-299-002	1
*	Screw-10abx3/8	9545-008-024	2
9	Terminal Block	9897-039-001	1
*	Screw-6bx3/8	9545-031-003	1
10	DC Power Supply	9150-054-001	1
*	Screw-6abx3/4	9545-031-010	2
11	Terminal Block	9897-026-002	1
*	Wire Assembly-Jumper, blk/brn 15"	8220-113-006	1
*	Wire Assembly-Jumper,blk/wht 15"	8220-113-008	1
*	Wire Assembly-blk/brn 15"	8220-146-011	1
*	Wire Assembly-blk/wht 15"	8220-146-013	1
*	Wire Assembly-wht/org 14"	8220-062-054	1
*	Wiring Harness-Ignition Control	9627-867-012	1
*	Wire Assembly-grn/yel 7"	8220-137-002	1
*	Wire Assembly-High Voltage	9631-403-009	1
*	Bracket-Control Box	9029-254-001	1
*	Screw-10abx3/4	9545-008-024	6
*	Wire Assembly-blk/brn 9"	8220-146-008	1
*	Wire Assembly-blk/wht 9"	8220-146-010	1
*	Wire Assembly-Violet 8"	8220-118-003	1

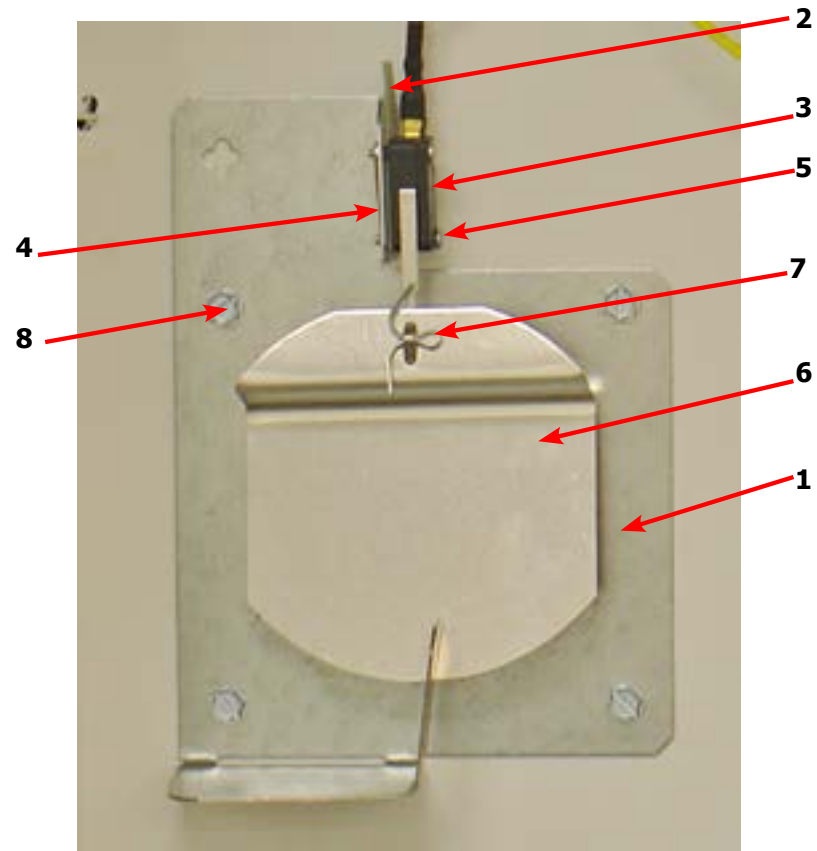
50Hz Electrical Box Parts Group Only

Key	Description	T-80	QTY
*	Complete Control Assembly	9857-295-003	1
*	Wire Assembly-Jumper, blk/white 15"	8220-113-008	1
*	Wire Assembly-blk/wht 9"	8220-146-010	1
*	Wire Assembly-blk/wht 15"	8220-146-013	1
*	Terminal Strip Marker	9558-029-004	1

Electrical Box Parts Group



Airflow Switch Parts Group



Key	Description	T-30	T-50	T-80	QTY
*	Air Flow switch Assy.	9801-095-001	9801-098-001	9801-098-001	1
*	Airflow Switch Assy (50Hz ONLY)	9801-095-002	9801-098-002	9801-098-002	1
1	Bracket-Airflow switch	9029-174-001	9029-200-001	9029-200-001	1
1	Bracket-Airflow Switch (50Hz ONLY)	9029-174-002	9029-200-002	9029-200-002	1
2	Shield-Switch	9550-169-003	9550-169-003	9550-169-003	1
3	Switch-Micro	9539-461-009	9539-461-009	9539-461-009	1
4	Nut-Twin, 4-40	8640-401-001	8640-401-001	8640-401-001	1
5	Screw-.625, 4-40	9545-020-001	9545-020-001	9545-020-001	2
6	Actuator-Air Flow Switch	9008-007-001	9008-007-001	9008-007-001	1
7	Pin-Cotter, .09375x.75	9451-169-002	9451-169-002	9451-169-002	1
	Screw, 10Bx1/4	9545-008-001			3
	Screw, 10Bx1/4		9545-008-001	9545-008-001	4