

SERIES



X-Series Vended Washers Express (200G) & Non-Express (100G) Parts Manual



DEXTER.
LAUNDRY



USE THE TABS LOCATED ON THE
RIGHT AND LEFT SIDES OF THE FOLLOWING
DOCUMENT TO ADVANCE TO EACH SECTION.

Table of Contents

| | |
|---|-----------|
| Section 1: Standard Chassis Express Washer Parts Data..... | 4 |
| Accessories..... | 4 |
| Kits & Assemblies..... | 6 |
| Wiring Harnesses..... | 7 |
| Cabinet & Front Panel..... | 8 |
| Door Lock..... | 10 |
| Loading Door..... | 12 |
| Seals & Bearings..... | 14 |
| Chassis, Drain, & Cylinder..... | 16 |
| Rear View..... | 18 |
| Water Inlet & Rear Channel..... | 20 |
| Electrical Components..... | 22 |
| Control Panel..... | 24 |
| Section 2: Large Chassis Express Washer Parts Data..... | 25 |
| Accessories..... | 25 |
| Kits & Assemblies..... | 26 |
| Wiring Harnesses..... | 27 |
| Cabinet & Front Panel..... | 28 |
| Door Lock..... | 30 |
| Loading Door..... | 32 |
| Cylinder, Seals, & Bearings..... | 34 |
| Chassis & Drain..... | 36 |
| Rear View..... | 38 |
| Water Inlet & Rear Channel..... | 40 |
| Electrical Components..... | 42 |
| Control Panel..... | 44 |
| Section 3: T-1800 Non-Express Washer Parts Data..... | 45 |
| Accessories..... | 45 |
| Kits & Assemblies..... | 46 |
| Wiring Harnesses..... | 47 |
| Cabinet & Front Panel..... | 48 |
| Door Lock..... | 50 |
| Loading Door..... | 52 |
| Cylinder, Seals, & Bearings..... | 54 |
| Chassis & Drain..... | 56 |
| Rear View..... | 58 |
| Water Inlet & Rear Channel..... | 60 |
| Electrical Components..... | 62 |
| Control Panel..... | 64 |

Accessories for X-Series Vended Standard Chassis Express Washers

WC0350__-__T__
 WC0450__-__T__

| Description | T-350 | T-450 |
|---|--------------|--------------|
| Kit, Door Gasket Expander (Small) | 9732-139-001 | 9732-139-001 |
| Kit, Door Gasket Expander (Large) | 9732-139-002 | 9732-139-002 |
| Hose, Water Supply 3/8" I.D. x 48" | 9990-027-011 | 9990-027-011 |
| Washer, Inlet Hose (furnished) | 8641-242-000 | 8641-242-000 |
| Strainer, Inlet Hose (furnished) | 9565-003-001 | 9565-003-001 |
| Bevel Washer for 5/8" bolt used in installations using angle iron bases | 8641-586-002 | 8641-586-002 |
| Bevel Washer for 3/4" bolt used in installations using angle iron bases | 8641-586-003 | 8641-586-003 |
| Sealing compound | 8538-151-001 | 8538-151-001 |
| TORX#20 | 8545-051-002 | 8545-051-002 |
| Flow Restrictors (in dispenser) | 9475-002-002 | 9475-002-002 |
| Coin Bearing & Seal Kit | 9732-219-008 | 9732-219-005 |
| Coin Box Assy, Blue Large | 9807-099-002 | 9807-099-002 |
| Coin Box Assy, Black Large | 9807-099-004 | 9807-099-004 |



DEXTER
 LAUNDRY



Section 1: X-Series Vended Standard Chassis Washers Express (200G) Parts Data

Kits, Assemblies, and Common Parts - Standard Chassis

| Coin Acceptor Components | Part Number |
|---|---------------|
| Coin Acceptor | 9021-099-001 |
| Retainer, Coin Acceptor | 9486-149-001 |
| Coin Drop Screws | 9545-053-002 |
| Loading Door & Door Lock Components | Part Number |
| Door Glass Gasket (Standard Door - T-450) | 9206-419-001 |
| Door Glass Gasket (Small Door - T-350) | 9206-411-002 |
| Kit - Door Gasket Expander Kit (Small) | 9732-139-001 |
| Kit - Door Gasket Expander Kit (Large) | 9732-139-002 |
| Door Handle Only (Large) | 9244-091-001 |
| Door Close Switch | 9539-492-001 |
| Door Lock Gear Motor Assembly (60Hz Only) | 9892-015-003 |
| Door Lock Gear Motor Assembly 24V (50Hz Only) | 9892-015-002 |
| Door Latching Assembly | 9885-031-001P |
| Electrical Components | Part Number |
| Transformer, Control (60Hz Only) | 8711-017-001 |
| Transformer, Control (50Hz Only) | 8711-004-004 |
| Main Control Board | 9799-029-001P |
| Water Pressure Sensor | 9474-013-001 |
| VFD & Breaking Resistors Components | Part Number |
| Breaking Resistor 200 Ohms (T-450 Only) | 9483-004-002 |
| Data Cable | 9806-023-003 |
| MS 300 VFD Display | 9150-058-001 |
| Drain & Water Valve Components | Part Number |
| Kit - 3" Drain Valve Seal Replacement (T-450) | 9732-327-001 |
| Drain Valve 3" (T-450) (60Hz Only) | 9379-202-001 |
| Drain Valve 3" 24V (T-450) (50Hz Only) | 9379-202-002 |
| Drain Valve 2" (T-350) (60Hz Only) | 9379-199-001 |
| Drain Valve 2" 24v (T-350) (50Hz Only) | 9379-199-002 |
| Water Valve (Dual) (60Hz Only) | 9379-183-012 |
| Water Valve (Dual) (50Hz Only) | 9379-183-013 |
| Diaphragm (Dual) | 9118-049-003 |
| Cabinet Components | Part Number |
| Front Panel Screw | 9545-008-014 |
| Front Panel Finisher Washer | 8641-585-001 |
| Front Panel Spring Nut | 8640-442-001 |
| Top Soap Box Screw | 9545-008-030 |
| Top Soap Box Spring Nut | 8640-399-007 |
| 5/16 Hex Screw, Common | 9545-008-026 |
| Top Lock Key #6324 | 6292-006-007 |
| Cylinder Plug (1.5" Plastic) | 9456-041-007 |

Wiring Harnesses

| Description | T-350 | T-650 | QTY |
|--|--------------|--------------|-----|
| Wiring Harness, Coin Vault Switch | 9628-025-001 | 9628-025-001 | 1 |
| Wiring Harness, Door Lock | 9627-936-002 | 9627-936-002 | 1 |
| Wire Assembly, WHT/RED, Water Valve | 8220-123-002 | 8220-123-002 | 1 |
| Data Cable Assembly | 9806-023-003 | 9806-023-003 | 1 |
| Wiring Harness, Ctrl/Graphics | 9627-922-002 | 9627-922-002 | 1 |
| Wiring Harness, Relay, 15-pin | 9628-023-001 | 9628-023-001 | 1 |
| Model ID Jumper Wire | 8220-158-005 | 8220-158-011 | 1 |
| Wiring Harness, Door/E-Stop | 9628-022-001 | 9628-022-001 | 1 |
| Wiring Harness, Cntrol/Relay | 9627-921-001 | 9627-921-001 | 1 |
| Relay Jumper Wire | 8220-159-006 | 8220-159-006 | 1 |
| Wiring Harness, WPS | 9628-020-001 | 9628-020-001 | 1 |
| Wire Assembly, ORG 17" | 8220-062-052 | 8220-062-052 | 1 |
| Wire Assembly, WHT/ORG 17 1/2" | 8220-062-053 | 8220-062-053 | 1 |
| Wiring Harness, Power Supply | 9627-923-001 | 9627-923-001 | 1 |
| Wiring Harness, VFD Enable | 9628-021-001 | 9628-021-001 | 1 |
| Wiring Harness, 15-pin, Non-Inj | 9627-934-002 | 9627-934-002 | 1 |
| Wiring Harness, Payment, Programmable Acpt | 9628-024-002 | 9628-024-002 | 1 |
| USB Cable Assembly | 9806-022-001 | 9806-022-001 | 1 |
| Wiring Harness, Pwr Term. Block | 9627-932-002 | 9627-932-002 | 1 |
| Wiring Label, Diagram/Informative | 9507-085-001 | 9507-086-001 | 1 |
| Wiring Label, Schematic | 9508-085-001 | 9508-086-001 | 1 |
| Black Wire Assembly, Terminal Block | | 8220-117-002 | 2 |
| Blue Wire Assembly 29" | 8220-063-051 | 822-063-051 | 1 |
| Blue/Wht Wire Assembly 29" | 8220-063-052 | 8220-063-052 | 1 |

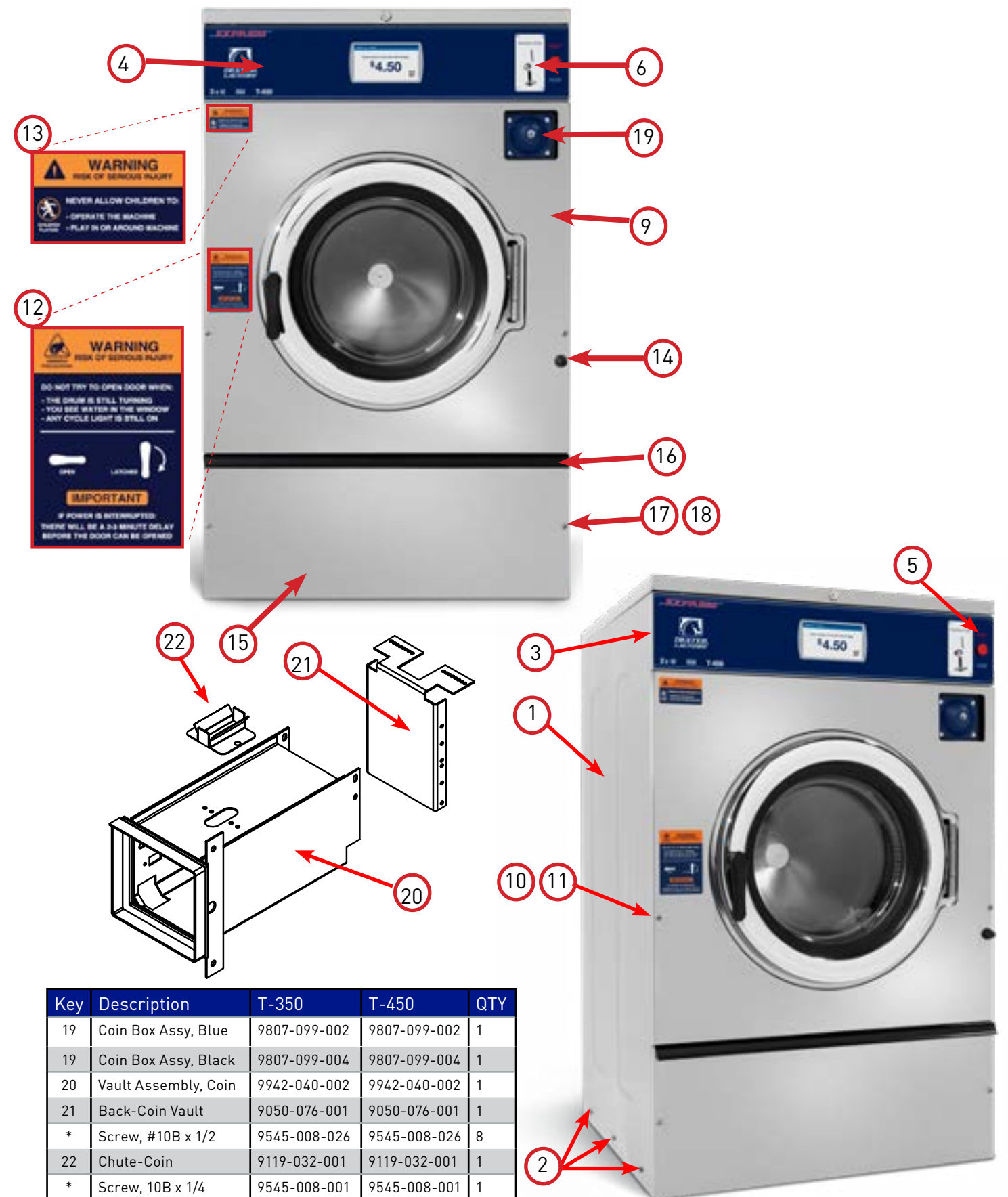
50Hz Wiring Harnesses Only

| Description | T-350 | T-450 | QTY |
|--|--------------|--------------|-----|
| Wiring Harness, Pwr Term Block, Non-Htd | 9628-001-002 | 9628-001-002 | 1 |
| Wiring Harness, 15-pin, Valves | 9628-004-002 | 9628-004-002 | 1 |
| Wiring Harness, Relay, 15-pin | 9628-028-001 | 9628-028-001 | 1 |
| Wiring Harness, Payment, Programmable Acpt | 9628-024-001 | 9628-024-001 | 1 |
| Jumper Wire Assembly, WHT/ORG, Water Valve | 8220-123-003 | 8220-123-003 | 1 |
| Wiring Label, Diagram | 9507-098-001 | 9507-099-001 | 1 |
| Wiring Label, Schematic | 9508-098-001 | 9508-099-001 | 1 |

Cabinet & Front Panel Parts Group

| Key | Description | T-350 | T-450 | QTY |
|-----|--|--------------|--------------|-----|
| 1 | Panel, Right Side-stainless | 9989-640-001 | 9989-642-001 | 1 |
| 1 | Panel, Left Side - stainless | 9989-640-002 | 9989-642-002 | 1 |
| 2 | Screw, (Side Panel to Base) | 9545-018-018 | 9545-018-013 | 6 |
| * | Nut, Hex 1/4-20 UNC | 8640-414-006 | 8640-414-006 | 6 |
| * | Bracket, Side Panel under front panel | 9029-263-001 | 9029-263-001 | 1 |
| * | Nut, Hex (to tub front) | 8640-413-002 | 8640-413-002 | 2 |
| * | Screw, #10B x 1/2 | 9545-008-026 | 9545-008-026 | 2 |
| 3 | Panel, Control (Mounts Nameplate) | 9989-557-001 | 9989-558-001 | 1 |
| * | Screw, Control Panel to Sides | 9545-008-026 | 9545-008-026 | 4 |
| 4 | Nameplate Decal, Control Panel (Blue) | 9412-264-002 | 9412-265-002 | 1 |
| 4 | Nameplate Decal, Control Panel (Black) | 9412-264-001 | 9412-265-001 | 1 |
| * | Label-Nameplate, Stop (Blue) | 8502-789-002 | | 1 |
| * | Label-Nameplate, Stop (Black) | 8502-789-001 | | 1 |
| * | Stop Button Mounting Plate | 9452-725-001 | 9452-725-001 | 1 |
| 5 | Emergency Stop Button | 9035-061-001 | 9035-061-001 | 1 |
| * | Emergency Stop Switch | 9539-496-001 | 9539-496-001 | 1 |
| 6 | Acceptor, Coin | 9021-099-001 | 9021-099-001 | 1 |
| * | Retainer-Dual coin Acceptor | 9486-149-001 | 9486-149-001 | 2 |
| * | Screws, Coin Acceptor | 9545-053-002 | 9545-053-002 | 4 |
| 9 | Front Panel | 9454-893-001 | 9454-894-001 | 1 |
| * | Door Close Switch | 9539-492-001 | 9539-492-001 | 1 |
| * | Screw, Hex- To Control Panel | 9545-008-026 | 9545-008-026 | 2 |
| * | Nut, Spring- To Control Panel 10/32 | 8640-442-001 | 8640-442-001 | 4 |
| 10 | Screw, Flat Head- Front to Sides | 9545-008-014 | 9545-008-014 | 2 |
| 11 | Washer, Finish | 8641-585-001 | 8641-585-001 | 2 |
| * | Nut, Spring-To Front Panel | 8640-442-001 | 8640-442-001 | 2 |
| 12 | Label, Door Opening-Blue | 8502-757-002 | 8502-757-002 | 1 |
| 12 | Label, Door Opening-Black | 8502-757-001 | 8502-757-001 | 1 |
| 13 | Label, Warning Risk of Injury-Blue | 8502-759-002 | 8502-759-002 | 1 |
| 13 | Label, Warning Risk of Injury-Black | 8502-759-001 | 8502-759-001 | 1 |
| 14 | Bumper-Loading door | 9051-055-001 | 9051-055-001 | 1 |
| * | Nut, 1/4-20 UNC, 2B | 8640-414-003 | 8640-414-003 | 1 |
| 15 | Door, Lower Service (includes handle & Rivets) | 9960-286-001 | 9960-286-002 | 1 |
| 16 | Handle (bumper guard) | 9244-086-001 | 9244-086-002 | 1 |
| * | Rivet | 9491-009-003 | 9491-009-003 | 4 |
| 17 | Screw Mtg., Flat Head | 9545-008-030 | 9545-008-030 | 2 |
| 18 | Washer, Finish | 8641-585-001 | 8641-585-001 | 2 |
| * | Nut, Spring | 8640-399-008 | 8640-399-008 | 2 |

Cabinet & Front Panel Parts Group

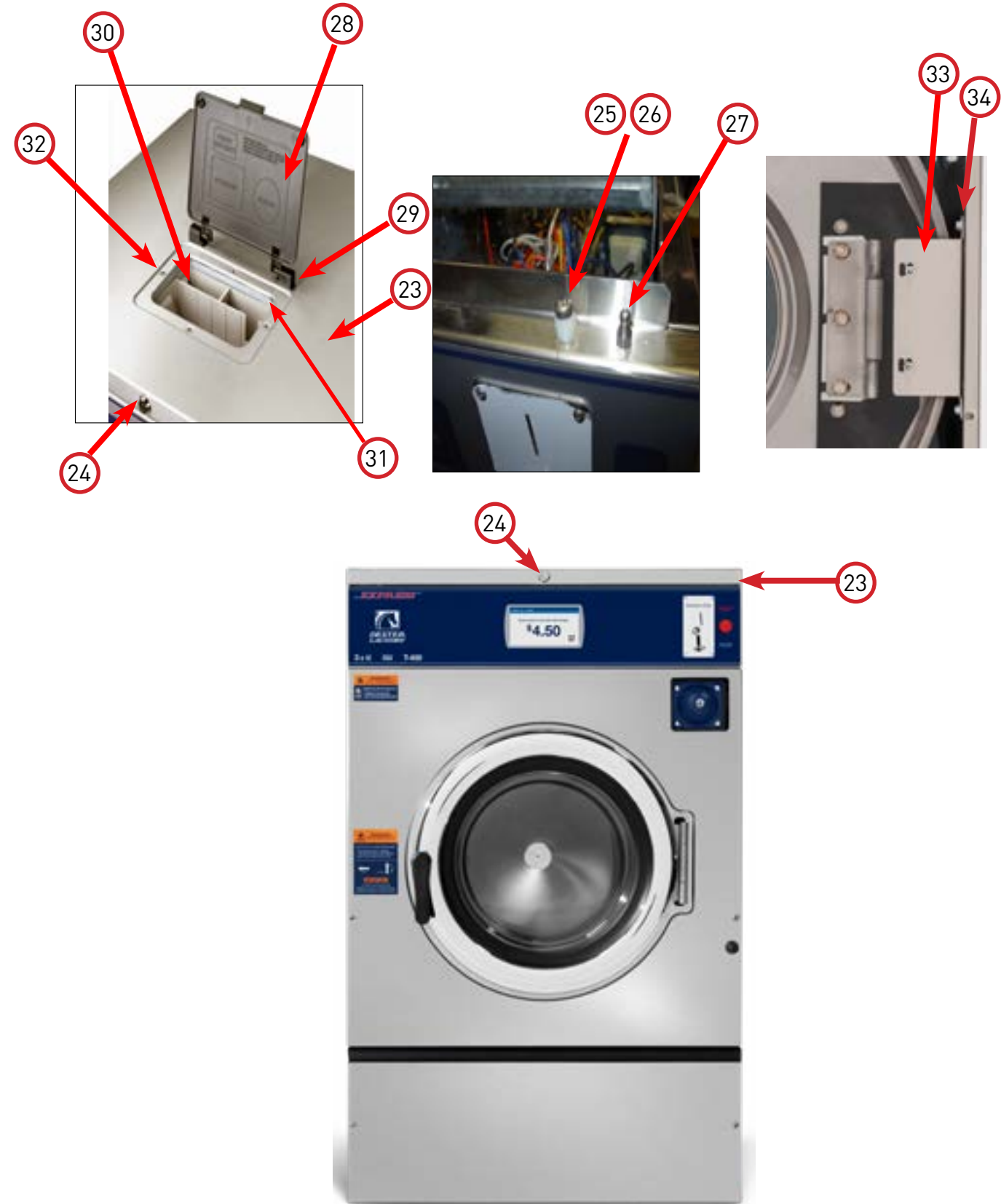


| Key | Description | T-350 | T-450 | QTY |
|-----|----------------------|--------------|--------------|-----|
| 19 | Coin Box Assy, Blue | 9807-099-002 | 9807-099-002 | 1 |
| 19 | Coin Box Assy, Black | 9807-099-004 | 9807-099-004 | 1 |
| 20 | Vault Assembly, Coin | 9942-040-002 | 9942-040-002 | 1 |
| 21 | Back-Coin Vault | 9050-076-001 | 9050-076-001 | 1 |
| * | Screw, #10B x 1/2 | 9545-008-026 | 9545-008-026 | 8 |
| 22 | Chute-Coin | 9119-032-001 | 9119-032-001 | 1 |
| * | Screw, 10B x 1/4 | 9545-008-001 | 9545-008-001 | 1 |

Cabinet & Front Panel Parts Group Continued

| Key | Description | T350 | T450 | QTY |
|-----|--|--------------|--------------|-----|
| 23 | Panel Top, Assembly (includes catch) | 9989-563-002 | 9989-563-004 | 1 |
| 24 | Lock, Top (w/Key) | 8650-012-003 | 8650-012-003 | 1 |
| * | Lock Spacer | 9538-189-001 | 9538-189-001 | * |
| * | Key, Top- # 6324 | 6292-006-007 | 6292-006-007 | 1 |
| * | Cam, Lock-Top | 9095-049-001 | 9095-049-001 | 1 |
| * | Nut, 9/32 - 28 Hex | 8640-426-001 | 8640-426-001 | 1 |
| * | Washer Flat 5/16 | 8641-581-008 | 8641-581-008 | 1 |
| 25 | Screw, Locator | 9545-008-023 | 9545-008-023 | 2 |
| 26 | Plastic Sleeve, Locator | 9355-001-001 | 9355-001-001 | 2 |
| 27 | Locator Post | 9467-024-001 | 9467-024-001 | 2 |
| * | Nut, Locator Post | 8640-411-003 | 8640-411-003 | 2 |
| 28 | Door, Dispenser | 9108-095-005 | 9108-095-005 | 1 |
| 29 | Post, Door Mounting | 9467-025-001 | 9467-025-001 | 2 |
| * | Pin, Plain-SS | 9451-191-001 | 9451-191-001 | 2 |
| * | Screw, Disp.Post Mtg | 9545-045-002 | 9545-045-002 | 4 |
| 30 | Dispenser, Soap | 9122-005-004 | 9122-005-004 | 1 |
| 31 | Gasket, Dispenser | 9206-416-001 | 9206-416-001 | 1 |
| * | Nut, Spring-SS | 8640-399-007 | 8640-399-007 | 4 |
| 32 | Screw, Disp. Mtg | 9545-008-012 | 9545-008-012 | 4 |
| * | Flow Restrictor | 9475-002-002 | 9475-002-002 | 2 |
| * | Plastic Plug 1 1/2" -(inside cylinder) | 9456-041-007 | 9456-041-007 | 1 |
| * | Hose-Dispenser outlet | 9242-450-002 | 9242-450-002 | 1 |
| 33 | Bracket, Side Panel under front panel | 9029-263-001 | 9029-263-001 | 1 |
| * | Nut, Hex (to tub front) | 8640-413-002 | 8640-413-002 | 2 |
| 34 | Screw, #10B x 1/2 | 9545-008-026 | 9545-008-026 | 2 |

Cabinet & Front Panel Parts Group Continued

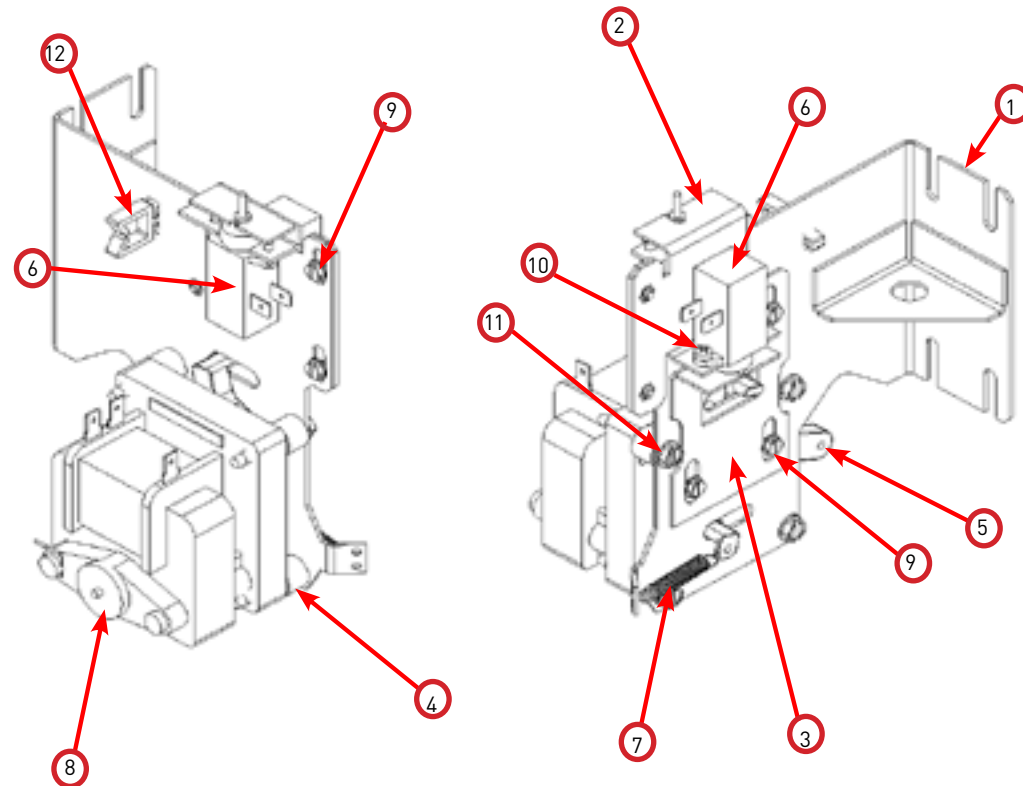


Door Lock Gear Motor Parts Group

| Key | Description | T-350 | T-450 | QTY |
|-----|---|--------------|--------------|-----|
| * | Actuator Assembly (Includes 1-12, Rod NOT included) (60Hz Only) | 9892-015-003 | 9892-015-003 | 1 |
| 1 | Bracket Assy, Slide Lock Actuator | 9985-190-001 | 9985-190-001 | 1 |
| 2 | Bracket Assy, Slide - Unlock | 9985-189-001 | 9985-189-001 | 1 |
| 3 | Bracket Slide Lock | 9029-204-001 | 9029-204-001 | 1 |
| 4 | Spacer, Plastic | 9538-157-021 | 9538-157-021 | 4 |
| 5 | Arm - Door Lock | 9001-063-001 | 9001-063-001 | 1 |
| 6 | Thermoactuator-Door Lock Rel (60Hz Only) | 9586-001-003 | 9586-001-003 | 2 |
| 7 | Spring - Extension | 9534-350-001 | 9534-350-001 | 1 |
| 8 | Motor & Gear Assembly (60Hz Only) | 9914-137-015 | 9914-137-015 | 1 |
| 9 | Screw -Hxwshrdslsems, 6-32 x 3/16 | 9545-044-003 | 9545-044-003 | 6 |
| 10 | Cross Recessed PAn Hd Tapping screw | 9545-031-011 | 9545-031-011 | 4 |
| 11 | Screw - hxwshdsl, 10-24 - 1.25f, ctd (60Hz) | 9545-046-007 | 9545-046-007 | 4 |
| 12 | Standoff-Wire | 9527-007-001 | 9527-007-001 | 1 |
| * | Rod, Door Lock | 9497-225-011 | 9497-225-012 | 1 |
| * | Harness, Door Lock | 9627-936-002 | 9627-936-002 | 1 |

50Hz Door Lock Gear Motor Parts Group Only

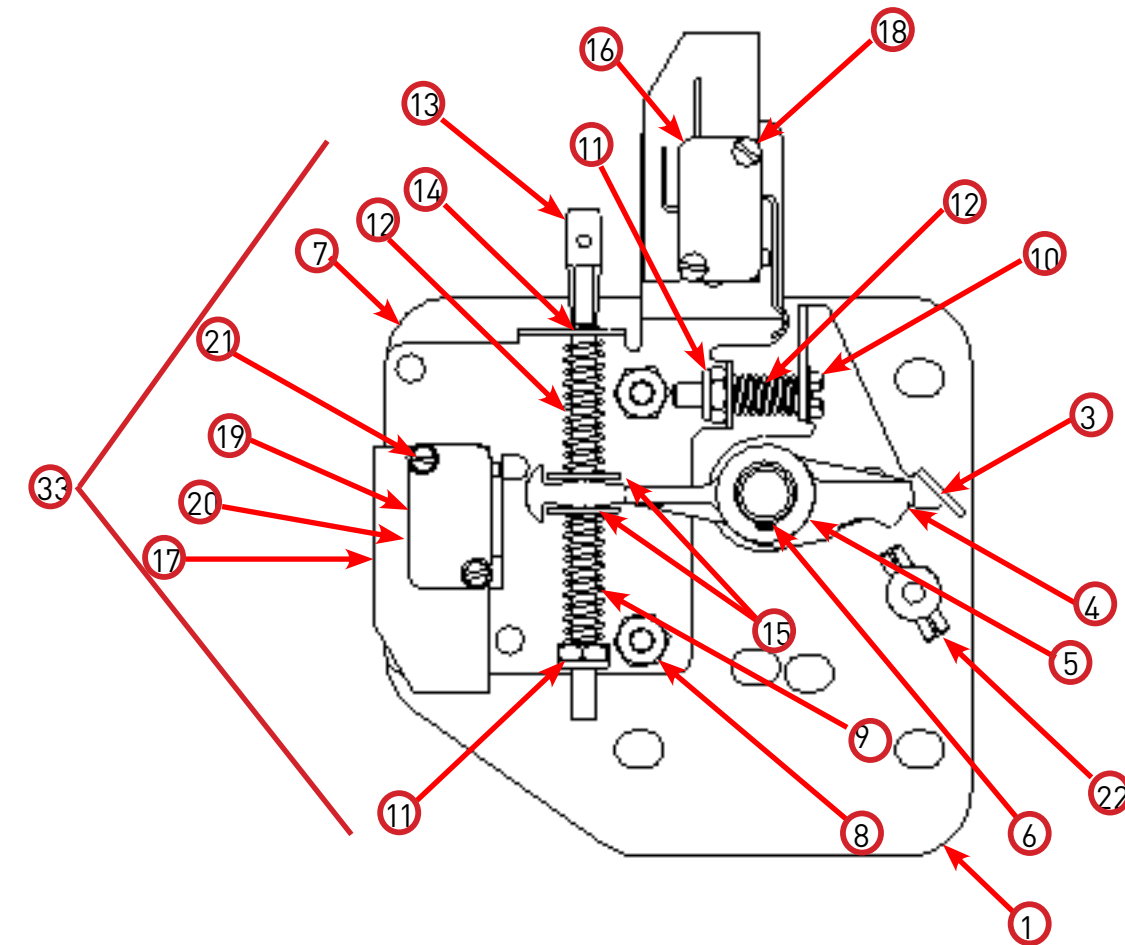
| Key | Description | T-350 | T-450 | QTY |
|-----|--------------------------------------|--------------|--------------|-----|
| * | Actuator Assembly (Rod NOT included) | 9892-015-002 | 9892-015-002 | 1 |
| 6 | Thermoactuator-Door Lock Relay 24V | 9586-001-003 | 9586-001-003 | 2 |
| 8 | Motor & Gear Assembly 24V | 9914-137-014 | 9914-137-014 | 1 |
| 11 | Screw Pnhdcr, 10-32 UNFx0.75 | 9545-012-027 | 9545-012-027 | 4 |



Door Lock Latching Assembly Parts Group

| Key | Description | All Models | QTY |
|-----|--|--------------|-----|
| 33 | Latching Assy, Complete (includes #1 thru #22) | 9885-031-001 | 1 |
| 1 | Plate Assy, Door Lock | 9982-346-001 | 1 |
| 2 | Washer, Flat (SS or Brass) | 8641-581-030 | 1 |
| 3 | Actuator, Latching Switch | 9008-005-001 | 1 |
| 4 | Pawl, Locking | 9732-346-002 | 1 |
| 5 | Washer, Spring | 8641-569-003 | 1 |
| 6 | Ring, Retaining | 9487-200-004 | 1 |
| 7 | Bracket Switch | 9029-163-001 | 1 |
| 8 | Nut, Hex 10-32 UNF | 8640-413-002 | 2 |
| 9 | Spring, Actuating | 9534-364-002 | 1 |
| 10 | Screw, Hx. 10-32 x 1" | 9545-012-020 | 1 |
| 11 | Nut, Elastic Stop 10-32 | 8640-413-004 | 2 |
| 12 | Spring, Return | 9534-364-001 | 2 |
| 13 | Pin, Guide | 9451-193-001 | 1 |

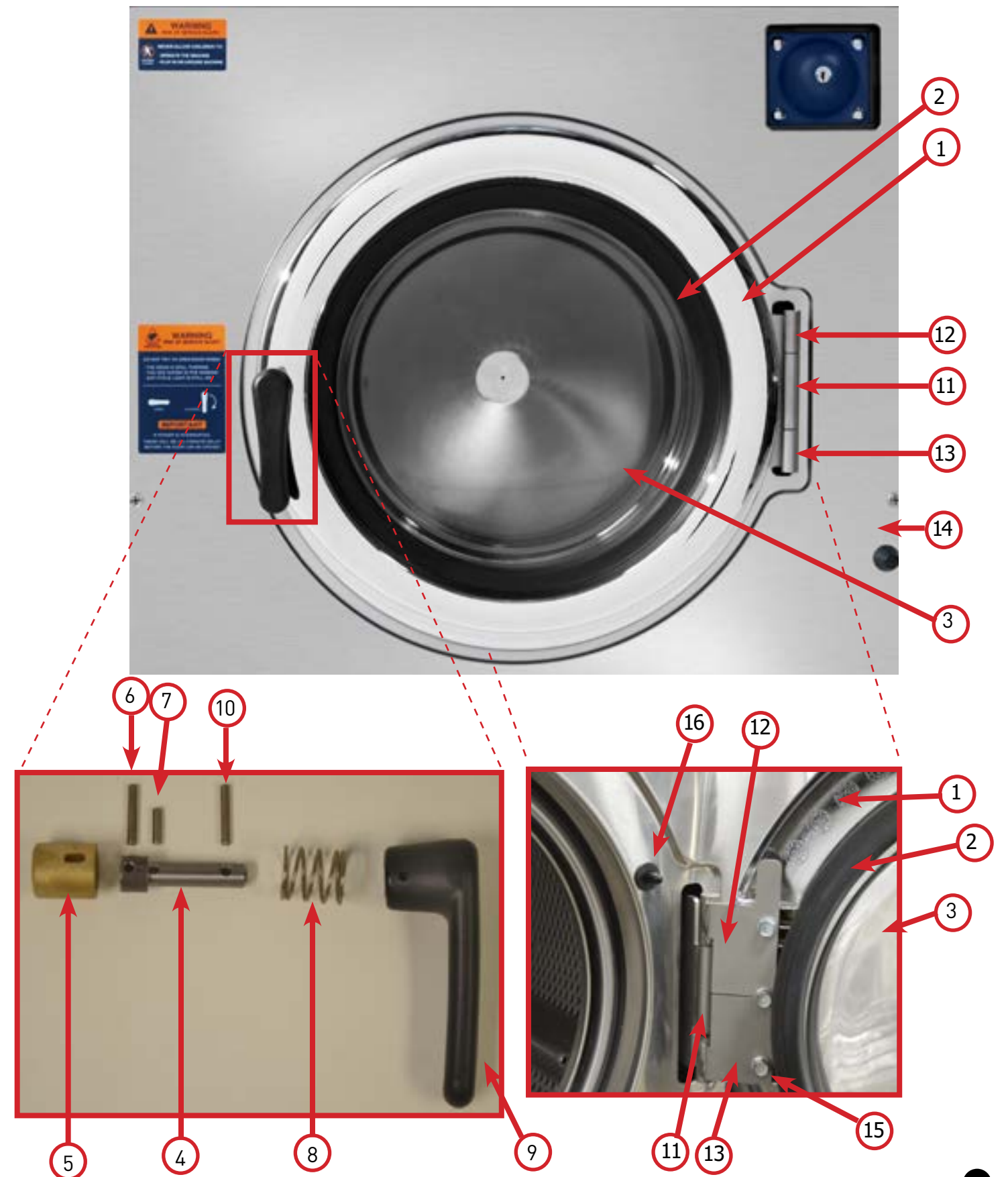
| Key | Description | All Models | QTY |
|-----|--------------------------------|--------------|-----|
| 14 | Ring, Retaining | 9487-200-005 | 1 |
| 15 | Washer | 8641-581-031 | 1 |
| 16 | Switch, Latching Sensing | 9539-461-008 | 1 |
| 17 | Shield, Switch | 9550-169-003 | 3 |
| 18 | Screw 4-40 x 5/8" | 9545-020-001 | 2 |
| 18 | Nut, Twin 4-40 | 8640-401-001 | 1 |
| 19 | Switch, Locking Sensing | 9539-461-007 | 2 |
| 20 | Actuator, Switch Locking | 9008-006-003 | 1 |
| 21 | Screw 4-40 x 1 1/8" | 9545-020-003 | 2 |
| 21 | Nut, Twin 4-40 | 8640-401-001 | 1 |
| * | Spacer Sensor | 9538-182-001 | * |
| 22 | Pin, Dowel (for door cam) | 9451-181-004 | 1 |
| * | Shim, Door Lock, Thin | 9552-037-001 | AR |
| * | Screw, Lock mtg 1/4"-20 x 3/4" | 9545-018-014 | 3 |
| * | Lockwasher 1/4" Ext tooth | 8641-582-007 | 3 |
| * | Door Stud Pin, 3/16" x 3/4" | 9451-181-004 | 1 |



Loading Door Parts Group

| Key | Description | T-350 | T-450 | QTY |
|-----|---|--------------|--------------|-----|
| * | Complete Door Assembly (Includes #1-10) | 9960-308-001 | 9960-309-001 | 1 |
| 1 | Ring, Loading Door | 9487-264-002 | 9487-265-002 | 1 |
| 2 | Gasket, Loading Door | 9206-411-002 | 9206-419-001 | 1 |
| 3 | Window, Loading Door | 9635-018-001 | 9635-016-001 | 1 |
| * | Shaft Assembly (Includes #4-7) | 9913-136-001 | 9913-136-001 | 1 |
| 4 | Shaft, Door Locking | 9537-195-002 | 9537-195-002 | 1 |
| 5 | Cam, Locking | 9095-051-001 | 9095-051-001 | 1 |
| 6 | Pin, Groove (1 1/4) | 9451-181-005 | 9451-181-005 | 1 |
| 7 | Pin, Groove (3/4) | 9451-181-004 | 9451-181-004 | 1 |
| 8 | Spring, Lock Cam | 9534-360-002 | 9534-360-002 | 1 |
| 9 | Handle, Door | 9244-091-001 | 9244-091-001 | 1 |
| 10 | Pin, Groove (Door Handle) | 9451-181-005 | 9451-181-005 | 1 |
| 11 | Door Hinge Assembly (Mounts to Tub Front) | 9955-030-001 | 9955-030-001 | 1 |
| * | Shim, Thin (Loading Door Hinge) | 9552-036-001 | 9552-036-001 | 3 |
| * | Screw, 5/16x5/8 | 9545-014-009 | 9545-014-009 | 3 |
| * | Lockwasher, 5/16 | 8641-582-009 | 8641-582-009 | 3 |
| 12 | Leaf Assembly, Hinge-Top | 9845-008-001 | 9845-008-001 | 1 |
| 13 | Leaf Assembly, Hinge-Bottom | 9845-005-002 | 9845-005-002 | 1 |
| * | Screw, 5/16x5/8 | 9545-056-002 | 9545-056-002 | 3 |
| 14 | Bumper, Loading Door | 9051-055-001 | 9051-055-001 | 1 |
| * | Nut, 1/4, 20UNC, 2B | 8640-414-003 | 8640-414-003 | 1 |
| 15 | Screw 5/16x5/8 | 9545-056-002 | 9545-056-002 | 3 |
| 16 | Door Close Switch (Plunger) | 9539-492-001 | 9539-492-001 | 1 |

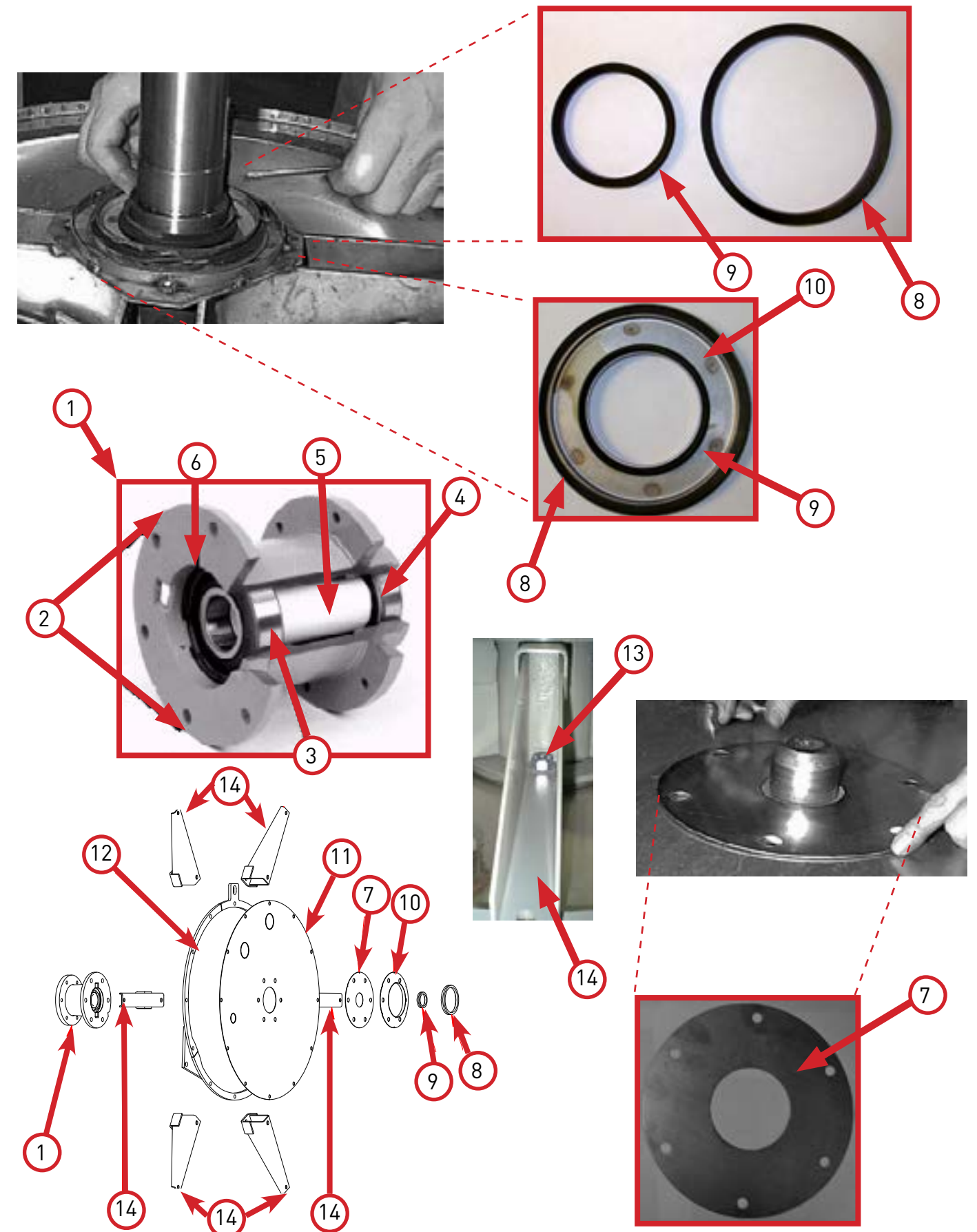
Loading Door Parts Group



Seals & Bearings Parts Group

| Key | Description | T-350 | T-450 | QTY |
|-----|--|--------------|--------------|-----|
| * | Bearing & Seals Kit | 9732-219-008 | 9732-219-005 | 1 |
| 1 | Bearing Housing Assembly (Includes #2-6) | 9803-179-003 | 9803-186-001 | 1 |
| 2 | Housing, Bearing | 9241-169-002 | 9241-180-002 | 1 |
| 3 | Bearing, Front (LARGE) | 9036-159-009 | 9036-159-005 | 1 |
| 4 | Bearing, Rear (SMALL) | 9036-159-008 | 9036-159-004 | 1 |
| 5 | Spacer, Bearing | 9538-158-001 | 9538-167-001 | 1 |
| 6 | Ring, Bearing Retainer | 9487-238-001 | 9487-238-003 | 1 |
| 7 | Seal Mating Ring | 9487-261-002 | 9487-261-003 | 1 |
| 8 | Seal, Large | 9532-140-009 | 9532-140-009 | 1 |
| 9 | Seal, Small | 9532-140-003 | 9532-140-006 | 1 |
| 10 | Ring, Seal Mounting | 9950-042-001 | 9950-048-001 | 1 |
| 11 | Tub Back Assembly | 9962-021-001 | 9962-013-002 | 1 |
| * | Tubback Seal Ring | 9487-290-001 | 9487-291-001 | 1 |
| 12 | Tub Mounting Ring Assembly - Rear | 9950-046-002 | 9950-056-002 | 1 |
| 13 | Bolt, Tub End of Bearing Housing (1/2" x 1 1/4") | 9545-017-009 | | 6 |
| 13 | Nut 1/2" | 8640-417-005 | | 6 |
| 13 | Flat washer 1/2" (ext. tooth) | 8641-581-034 | | 6 |
| 13 | Bolt 5/8-11x1 1/2" Tub end of bearing housing | | 9545-060-001 | 6 |
| 13 | Washer-Flat, 5/8" | | 8641-581-040 | 6 |
| 13 | Lockwasher 5/8" | | 8641-582-018 | 6 |
| 13 | Nut 5/8" | | 8640-425-001 | 6 |
| 14 | Support Arm Assy, Bearing Housing | 9991-057-002 | 9991-056-002 | 6 |
| * | Tub Alignment Spacer | 9552-038-003 | 9552-038-003 | |
| * | Bolt Pulley End of Bearing Housing (3/8" x 1 1/2") | 9545-029-003 | | 6 |
| * | Nut, Flange Locking 3/8" | 8640-415-004 | | 6 |
| * | Bolt Pulley end of bearing housing (7/16-14x2") | | 9545-059-002 | 6 |
| * | Nut, Flange Locking 7/16" | | 8640-416-005 | 6 |
| * | Cylinder Assembly | 9848-164-001 | 9848-166-001 | 1 |
| * | Tub and Cylinder Assembly | 9869-039-001 | 9869-041-001 | 1 |

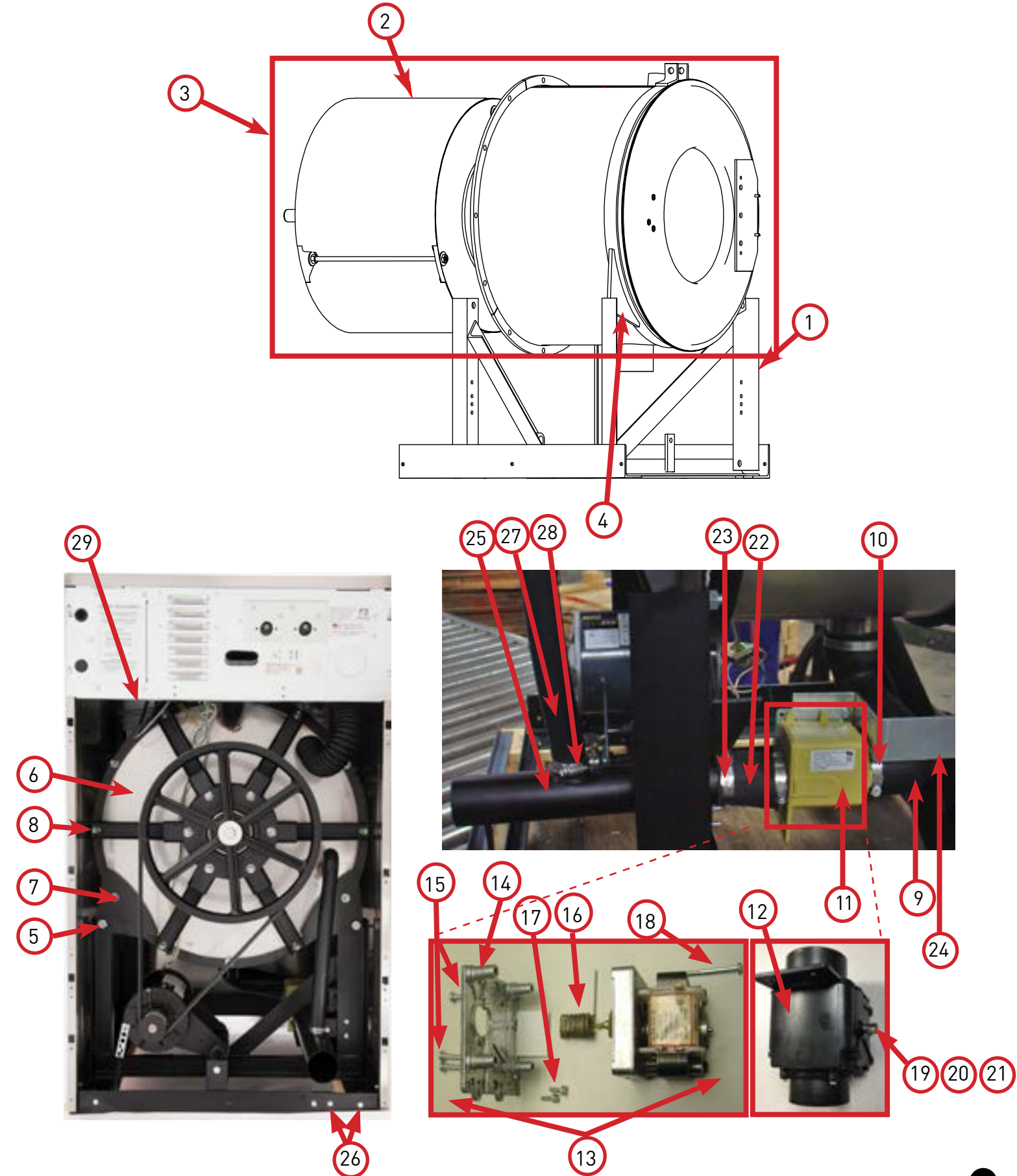
Cylinder, Seals, & Bearings Parts Group



Chassis & Drain Parts Group

| Key | Description | T-350 | T-450 | QTY |
|-----|---|--------------|--------------|-----|
| 1 | Base Frame Assembly | 9945-119-002 | 9945-141-002 | 1 |
| 2 | Outer Tub Assembly | 9930-175-002 | 9930-178-002 | 1 |
| 3 | Tub & Cylinder Assembly | 9869-039-001 | 9869-041-001 | 1 |
| 4 | Ring Assembly, Tub Mtg-Front | 9950-057-002 | 9950-051-004 | 1 |
| 5 | Bolt, 1/2-13x1 1/4 (Ring to Base) | 9545-017-009 | | 4 |
| 5 | Nut, Wizlock, 1/2-13 (Ring to Base) | 8640-417-005 | | 4 |
| 5 | Bolt, 5/8-11x1 1/2 (Ring to Base) | | 9545-060-001 | 4 |
| 5 | Nut, Wizlock, 5/8-11 (Ring to Base) | | 8640-425-001 | 4 |
| * | Ring Assembly, Tub Mounting - Rear | 9950-058-002 | 9950-049-002 | 1 |
| 6 | Tub Back Assembly | 9962-021-001 | 9962-023-001 | 1 |
| 7 | Ring Assembly, Clamp Tub Mtg. - Rear | 9950-046-002 | 9950-056-002 | 1 |
| 8 | Bolt, 3/8-16x1 1/2 | 9545-029-003 | | 12 |
| 8 | Nut, Wizlock 3/8-16 | 8640-415-004 | | 12 |
| 8 | Bolt, 7/16-14 x 2 | | 9545-059-002 | 12 |
| 8 | Nut, Wizlock, 7/16-14 | | 8640-416-005 | 12 |
| 8 | Lockwasher | | 8641-582-018 | 4 |
| 8 | Nut, Hex 5/8-11 | | 8640-425-001 | 4 |
| * | Shim, Support Assembly (Thin) | 9552-038-003 | | AR |
| 9 | Hose, Tub to Drain Valve | 9242-468-001 | 9242-456-001 | 1 |
| 10 | Hose Clamp (Tub to Drain Valve) | 8654-117-014 | 8654-117-014 | 2 |
| 11 | Drain Valve (60Hz Only) (Includes #12-21) | 9379-199-001 | 9379-202-001 | 1 |
| 11 | Drain Valve (50Hz Only) | 9379-199-002 | 9379-202-002 | 1 |
| 12 | Body, Valve (w/ Ball) | 9064-068-002 | 9064-072-001 | 1 |
| 13 | Motor & Gear Train (Complete) (60Hz Only) | 9914-137-020 | 9914-137-023 | 1 |
| 13 | Motor & Gear Train (Complete) (50Hz Only) | 9914-137-019 | 9914-137-022 | 1 |
| 14 | Plate, Motor Mtg. | | 9452-538-001 | 1 |
| 15 | Screw, Mtg. | | 8639-994-001 | 4 |
| 16 | Spring, Drive | 9534-340-001 | 9534-339-001 | 1 |
| 17 | Screw | | 9545-054-001 | 2 |
| 18 | Screw | | 9545-054-002 | 1 |
| 19 | Seal, V Packer | 9532-134-001 | 9532-134-001 | 1 |
| 20 | Washer | | 8641-584-001 | 1 |
| 21 | Pin, Main Drive | 9451-196-001 | 9451-196-001 | 1 |
| * | Plate (Spacers Needed for Replacing Motor Mtg. Plate) | | 9538-149-001 | 1 |
| * | Kit, Seal Replacement | | 9732-327-001 | 1 |
| 22 | Hose, Drain Valve to Tube | 9242-451-002 | 9242-457-001 | 1 |
| 23 | Hose Clamp (Drain Valve to Tube) | 8654-117-014 | 8654-117-014 | 2 |
| 24 | Bracket, Drain Valve | 9029-005-001 | | 1 |
| * | Screw, Valve to Bracket 12ABx1/2 | 9545-008-026 | | 2 |
| 25 | Drain Tube Assembly | 9915-125-002 | 9915-119-002 | 1 |
| 26 | Screw (Drain Tube Bracket to Base) 1/4Bx3/4 | 9545-030-002 | 9545-030-002 | 2 |
| 27 | Hose, Overflow Suds | 9242-463-002 | 9242-463-003 | 1 |
| 28 | Clamp, Overflow Hose | 8654-117-008 | 8654-117-008 | 2 |
| * | Fill Hose, Vacuum Breaker to Tub | 9242-458-001 | 9242-458-002 | 1 |
| 29 | Hose, Pressure Switch | 9242-175-000 | 9242-175-007 | 1 |
| * | Clamp, Pressure Switch Hose | 8654-117-015 | 8654-117-015 | 1 |

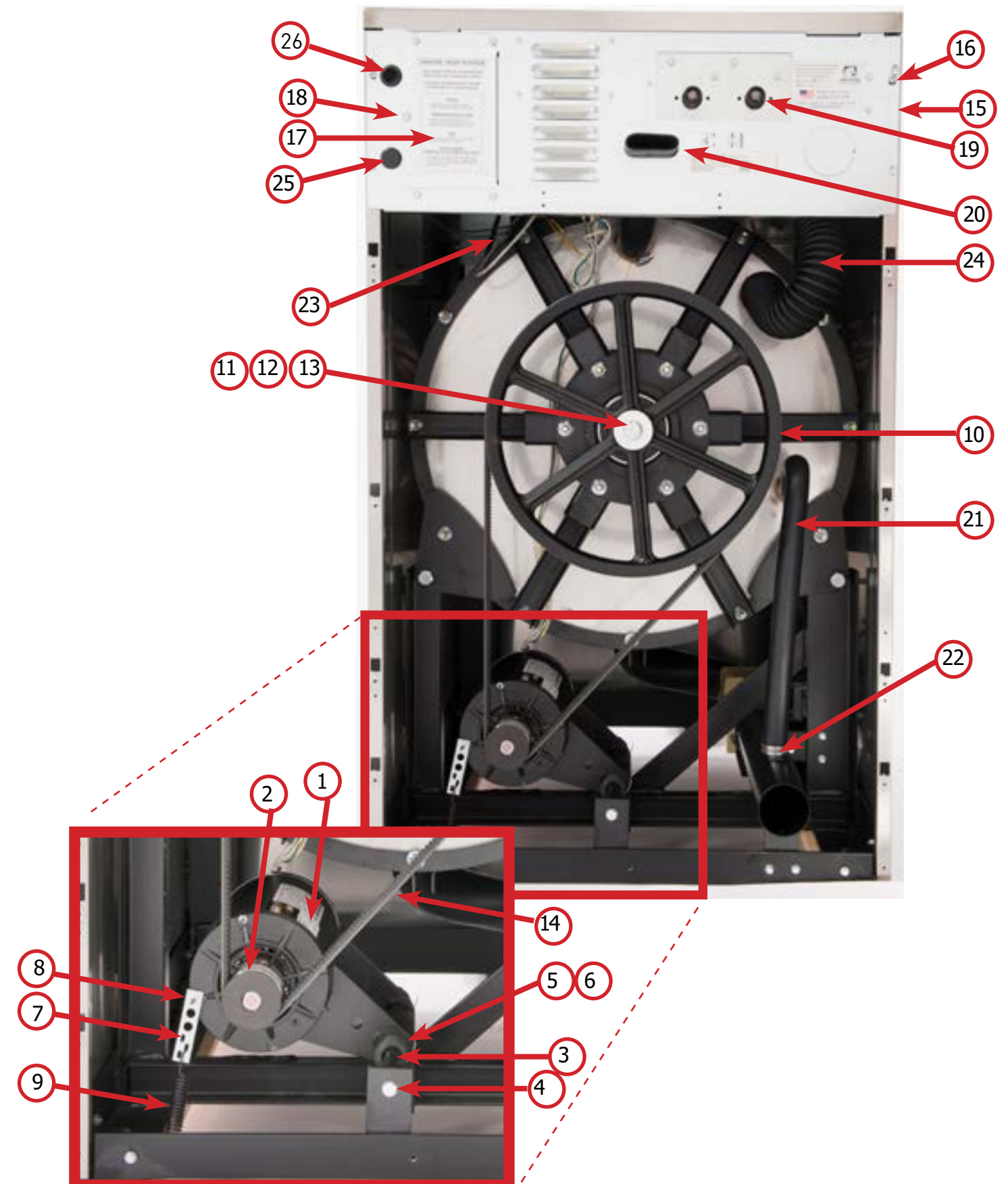
Chassis & Drain Parts Group



Rear View Parts Group

| Key | Description | T-350 | T-450 | QTY |
|-----|--|--------------|--------------|-------|
| 1 | Drive Motor | 9376-307-001 | 936-319-001 | 1 |
| 2 | Motor Pulley | 9453-180-001 | 9453-181-001 | 1 |
| * | Set Screw, Sq. Hd. (Motor Pulley) | 9545-028-015 | 9545-028-015 | 2 |
| 3 | Rod, Motor Mtg. | 9497-222-002 | 9497-222-002 | 1 |
| 4 | Screw (End of Motor Rod) | 9545-029-005 | 9545-029-005 | 1 |
| * | Lockwasher (End of Motor Rod) | 8641-582-014 | 8641-582-014 | 1 |
| 5 | Motor Bushing (Rubber) | 9053-082-001 | 9053-082-001 | 2 |
| 6 | Clamp-Worm, 316SS, 1.5" (for Rubber Bushing) | 8654-117-019 | 8654-117-019 | 2 |
| 7 | Motor Tension Strap Bracket | 9029-206-001 | 9026-206-001 | 1 |
| 8 | 10/32 UNF Nut, Strap to Motor | 8640-413-002 | 8640-413-002 | 1 |
| * | Washer #10 | 8641-581-006 | 8641-581-006 | 1 |
| 9 | Belt Tension Spring | 9534-319-002 | 9534-319-002 | 1 |
| 10 | Driven Pulley | 9453-168-005 | 9453-168-006 | 1 |
| * | Tolerance Ring (Driven Pulley) | 9487-234-001 | 9487-234-003 | 1 |
| 11 | Screw (Driven Pulley) | 9545-017-009 | 9545-060-001 | 1 |
| 12 | Lockwasher | 8641-582-016 | 8641-582-018 | 1 |
| 13 | Flat Washer | 8641-581-026 | 8641-581-032 | 1 |
| 14 | Belt | 9040-079-004 | 9040-079-005 | 1 |
| 15 | Rear Channel | 9947-025-001 | 9947-026-001 | 1 |
| 16 | Rear Channel Mtg. Screw | 9545-008-026 | 9545-008-026 | 4 |
| * | Rear Channel Mtg, Spring Nut | 8640-399-008 | 8640-399-008 | 4 |
| 17 | Power Terminal Block Cover | 9074-267-001 | 9074-267-001 | 1 |
| 18 | Screw | 9545-008-026 | 9545-008-026 | 1 |
| 19 | Water Valve (Dual) (60Hz Only) | 9379-183-012 | 9379-183-012 | 2 |
| 19 | Water Valve (Dual) (50Hz Only) | 9379-183-013 | 9379-183-013 | 2 |
| 20 | Overflow Suds Hose | 9242-463-002 | 9242-463-003 | 1 |
| * | Overflow Suds Hose Clamp | 8654-117-008 | 8654-117-008 | 2 |
| 21 | Tub to Drain Hose | 9242-449-002 | 9242-449-002 | 1 |
| 22 | Tub to Drain Hose Clamp | 8654-117-018 | 8654-117-018 | 2 |
| 23 | Pressure Switch Hose | 9242-175-000 | 9242-175-007 | 1 |
| * | Pressure Switch Hose Clamp | 8654-117-015 | 8654-117-015 | 1 |
| 24 | Vacuum Breaker to Tub Hose | 9242-458-001 | 9242-458-002 | 1 |
| 25 | Plastic Plug 7/8" Electrical Connection | 9456-041-006 | 9456-041-006 | 1 |
| 26 | Bushing 7/8 | 9053-067-002 | 9053-067-002 | 1 |
| * | Back Panel Assembly | 9454-632-001 | | 1 |
| * | Upper Back Panel | | 9444-014-001 | 1 |
| * | Lower Back Panel | | 9444-013-001 | 1 |
| * | Panel Mtg. Screw #10x1/2" | 9545-008-026 | 9545-008-026 | 10-12 |
| * | Spring Nut | 8640-399-004 | 8640-399-004 | 6 |
| * | Screw, Panel to Base 1/4x3/4 | 9545-030-002 | 9545-030-002 | 3 |

Rear View Parts Group

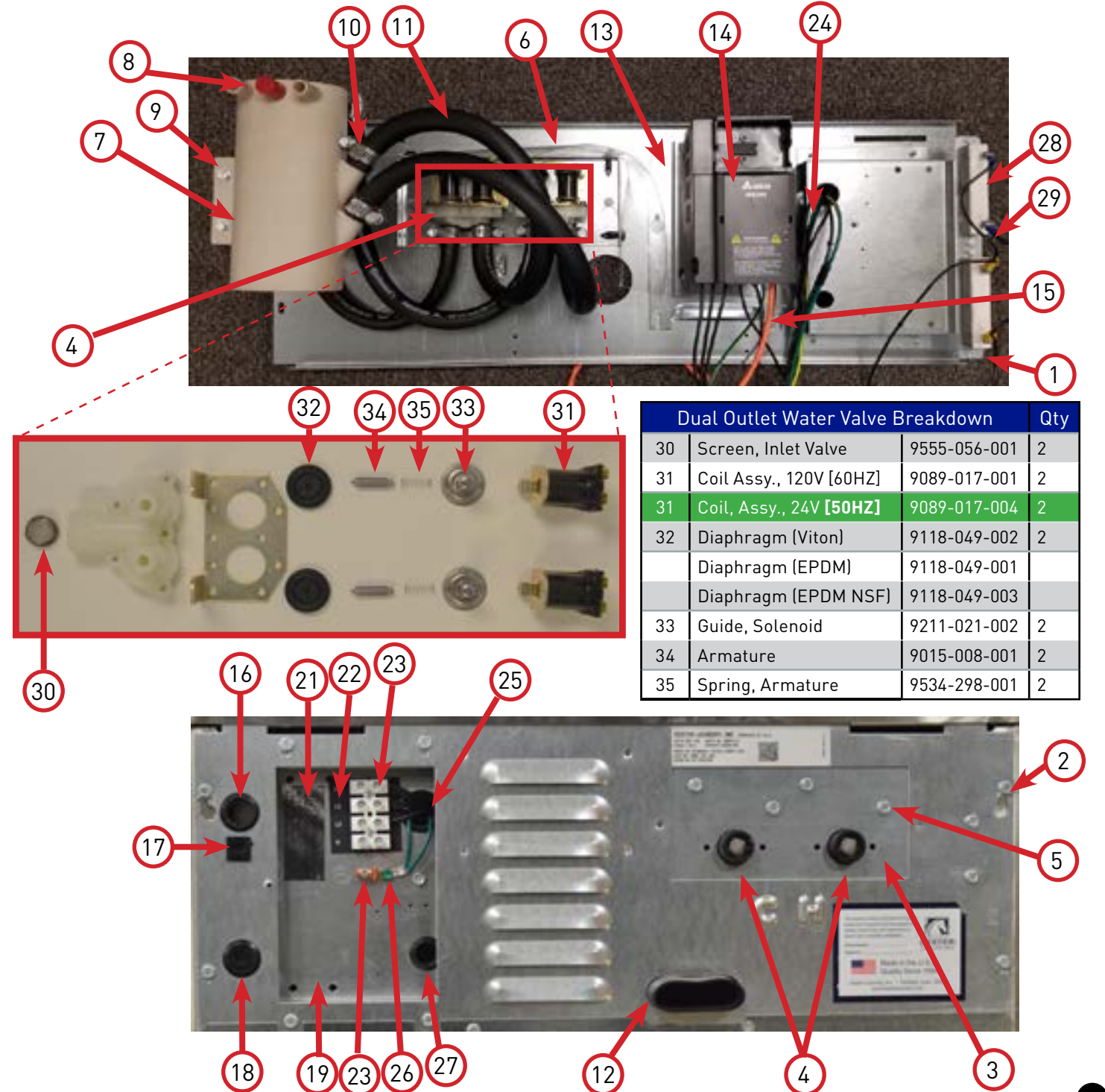


Water Inlet & Rear Channel Parts Group

| Key | Description | T-350 | T-450 | QTY |
|-----|---|--------------|--------------|-----|
| 1 | Rear Channel | 9947-025-001 | 9947-026-001 | 1 |
| 2 | Screw, #10B x 1/2 | 9545-008-026 | 9545-008-026 | 4 |
| * | Nut, Spring | 8640-399-007 | 8640-399-007 | 4 |
| 3 | Mounting Plate Water Valves | 9452-813-001 | 9452-813-001 | 1 |
| * | Nut-Elastic stop, #10-32 | 8640-413-002 | 8640-413-002 | 2 |
| 4 | Valve, Water Inlet (dual outlet) [60HZ] | 9379-183-012 | 9379-183-012 | 2 |
| 4 | Valve, Water Inlet (Dual Outlet) 50HZ ONLY | 9379-183-013 | 9379-183-013 | 2 |
| 5 | Screw, Valve Mtg | 9545-008-026 | 9545-008-026 | 4 |
| * | Wire-Assy, Jumper, Yellow | 8220-123-001 | 8220-123-001 | 1 |
| 6 | Shield over Water Valves Plastic | 9550-194-001 | 9550-194-001 | 1 |
| * | Push Clip | 9083-121-001 | 9083-121-001 | 2 |
| 7 | Vacuum Breaker | 9610-001-001 | 9610-001-001 | 1 |
| * | Bracket, Vacuum Breaker | 9029-266-001 | 9029-077-001 | 1 |
| 8 | Vacuum Breaker Cap (Red) | 0935-135-002 | 0935-135-002 | * |
| 9 | Screw, #10B x 1/2 | 9545-008-026 | 9545-008-026 | 4 |
| 10 | Clamp, Hose to Vacume Braker | 8654-117-014 | 8654-117-014 | 1 |
| * | Hose, Vacuum Breaker to Tub | 9242-458-001 | 9242-458-002 | 1 |
| * | Clamp, Tub End | 8654-117-009 | 8654-117-009 | 1 |
| 11 | Hose, Valve to Vac. Braker | 9242-453-020 | 9242-453-020 | 4 |
| * | Hose, Cold, Vac. Brkr. dispenser | 9242-453-007 | 9242-453-016 | 1 |
| * | Hose, Hot, Vac. Brkr. dispenser | 9242-453-020 | 9242-453-017 | 1 |
| * | Clamp, Hose-Worm | 8654-117-015 | 8654-117-015 | 12 |
| 12 | Hose, Overflow Suds | 9242-463-003 | 9242-463-003 | 1 |
| * | Clamp, Hose-Spring (overflow to tub back) | 8654-117-018 | 8654-117-018 | 2 |
| 13 | Plate Assembly, Drive Mounting | 9452-847-001 | 9452-847-001 | 1 |
| * | Nut-#10-32UNF, 2B | 8640-413-002 | 8640-413-002 | 4 |
| 14 | VFD Delta MS300 | 9375-034-030 | 9375-035-030 | 1 |
| * | Key Pad-Display Delta MS300 | 9150-058-001 | 9150-058-001 | 1 |
| 15 | Cable-Data, Communication | 9806-023-003 | 9806-023-003 | 1 |
| 16 | Bushing, 7/8 | 9053-067-002 | 9053-067-002 | 1 |
| 17 | Clip Strain Relif | 8618-037-001 | 8618-037-001 | 1 |
| 18 | Plug, 7/8 | 9456-041-006 | 9456-041-006 | 1 |
| 29 | Bracket, Terminal-Mounting | 9029-326-001 | 9029-326-001 | 1 |
| 20 | Screw, #10-32 TTX 1/2 GRN | 9545-008-027 | 9545-008-027 | 1 |
| 21 | Label-Warning | 8502-639-001 | 8502-639-001 | 1 |
| 22 | Strip-Terminal Marker | 9558-025-001 | 9558-025-001 | 1 |
| 23 | Terminal Block | 9897-033-002 | 9897-033-002 | 1 |
| * | Screw-Phillips, 6ABx3/4 | 9545-031-010 | 9545-031-010 | 2 |
| 24 | Harness-Power, Terminal Block | 9627-932-002 | 9627-932-002 | 1 |
| 24 | Harness, Term Block, Non-Htd (50Hz Only) | 9628-001-002 | 9628-001-002 | 1 |
| 25 | Bushing, 1" | 9053-067-004 | 9053-067-004 | 1 |
| 26 | Terminal Lug, Solderless | 8652-134-001 | 8652-134-001 | 1 |
| * | Lock-Washer Exttooth #10 | 8641-582-006 | 8641-582-006 | 1 |

Water Inlet & Rear Channel Parts Group

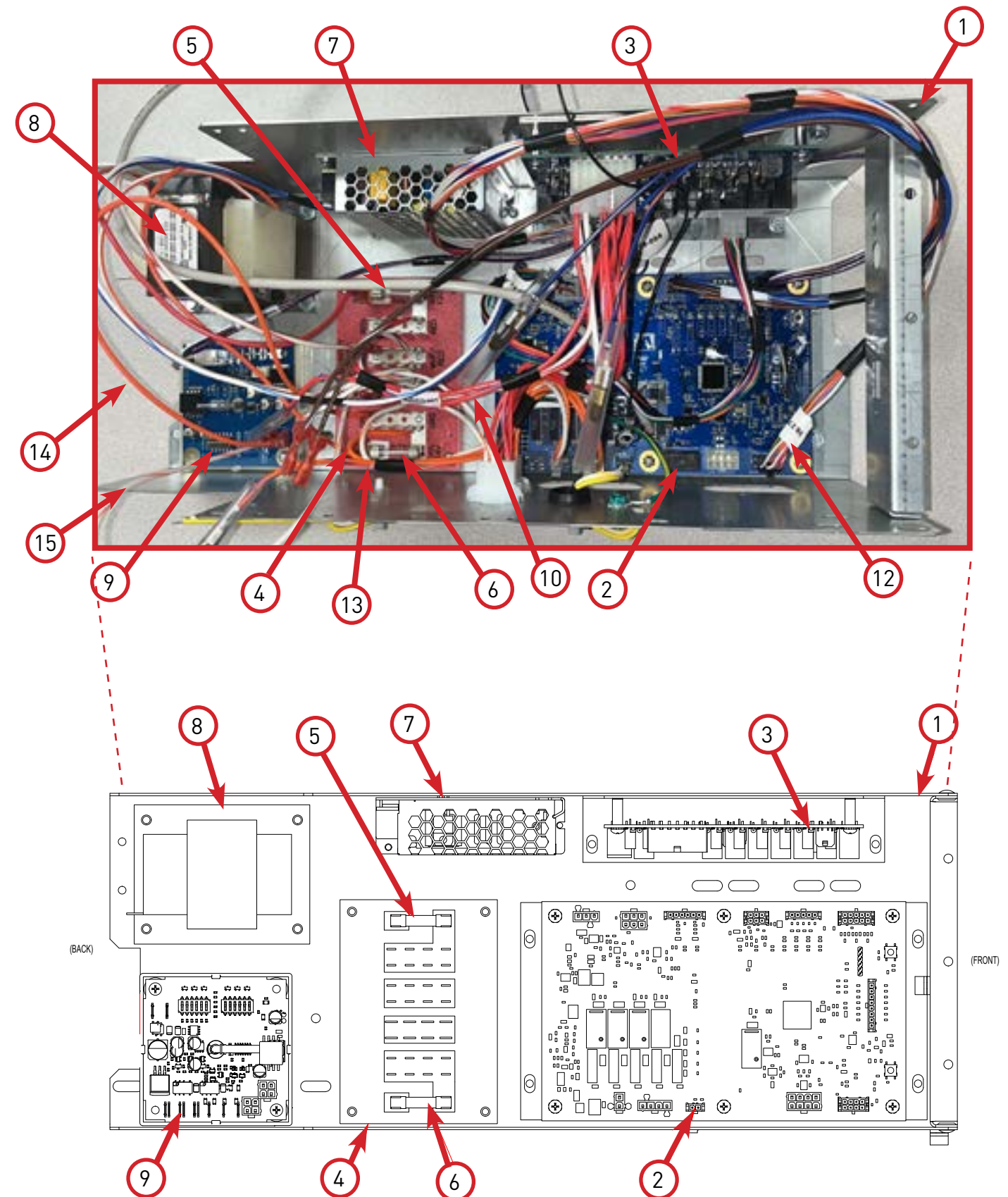
| Key | Description | T-350 | T-450 | QTY |
|-----|-----------------------------|--------------|--------------|-----|
| 27 | Bushing, 3/4 | 9053-067-001 | 9053-067-001 | 1 |
| 28 | Braking resistors (200 ohm) | | 9483-004-002 | 2 |
| * | Screw, #6-32x5/16 | | 9545-044-006 | 4 |
| 29 | Wire Assy, Jumper | | 8220-117-002 | 2 |
| * | Nut, #6-32 | | 8640-411-003 | 4 |
| * | Control Covers | 9074-267-001 | 9074-267-001 | 1 |
| * | Screw-#10Bx1/2 | | 9545-008-026 | 1 |



Electrical Components Parts Group

| Key | Description | T-350 | T-450 | QTY |
|-----|---|---------------|---------------|-----|
| * | Complete Control Trough Assembly | 9857-281-001 | 9857-282-001 | 1 |
| 1 | Control Trough | 9839-021-001 | 9839-021-001 | 1 |
| 2 | Control PCB Board | 9799-029-001P | 9799-029-001P | 1 |
| 3 | Relay PCB Board | 9799-030-001P | 9799-030-001P | 1 |
| 4 | Pwr. Dist. Terminal Block Assembly | 9897-044-001 | 9897-044-001 | 1 |
| 5 | 1.5 Amp Fuse | 8636-018-001 | 8636-018-001 | 1 |
| 6 | 2.0 Amp Fuse | 8636-018-005 | 8636-018-005 | 1 |
| * | Screw-#8ABx1/2 | 9545-045-012 | 9545-045-012 | 4 |
| 7 | Power Supply-12VDC | 9150-054-001 | 9150-054-001 | 1 |
| * | Screw-6Bx3/8 | 9545-031-005 | 9545-031-005 | 2 |
| 8 | Control Transformer | 8711-017-001 | 8711-017-001 | 1 |
| * | Screw-#10Bx1/2 | 9545-008-026 | 8545-008-026 | 12 |
| * | Lockwasher-Exttooth, #10 | 8641-582-006 | 8641-582-006 | 6 |
| 9 | Water Pressure Sensor | 9474-013-001 | 9474-013-001 | 1 |
| * | WPS Support | 9548-292-001 | 9548-292-001 | 1 |
| 10 | Wiring Harness, Relay. 15-pin (60Hz Only) | 9628-023-001 | 9628-023-001 | 1 |
| 10 | Wiring Harness, Relay, 15-pin (50Hz Only) | 9628-028-001 | 9628-028-001 | 1 |
| 11 | Data Cable Assembly | 9806-023-003 | 9806-023-003 | 1 |
| 12 | Wiring Harness, Cntrol/Relay | 9627-921-001 | 9627-921-001 | 1 |
| 13 | Wiring Harness, Power Supply | 9627-923-001 | 9627-923-001 | 1 |
| 14 | Wire Assembly, ORG | 8220-062-053 | 8220-062-052 | 1 |
| 15 | Wire Assembly, WHT/ORG | 8220-062-053 | 8220-062-053 | 1 |
| * | Wiring Harness, Ctrl/Graphics | 9627-922-002 | 9627-922-002 | 1 |
| * | Wiring Harness, Door/E-Stop | 9628-022-001 | 9628-022-001 | 1 |
| * | Cable Clamp | 8654-125-005 | 8654-125-005 | 1 |
| * | Screw-8Bx1/4 | 9545-045-001 | 9545-045-001 | 1 |
| * | Wiring Harness, WPS | 9628-020-001 | 9628-020-001 | 1 |
| * | Model ID Jumper Wire | 8220-158-005 | 8220-158-011 | 1 |
| * | Relay Jumper Wire Assembly | 8220-159-006 | 8220-159-006 | 1 |
| * | Screw-10-32TTx1/2GRN | 9545-008-027 | 9545-008-027 | 2 |
| * | Wiring Harness, VFD Enable | 9628-021-001 | 9628-021-001 | 1 |

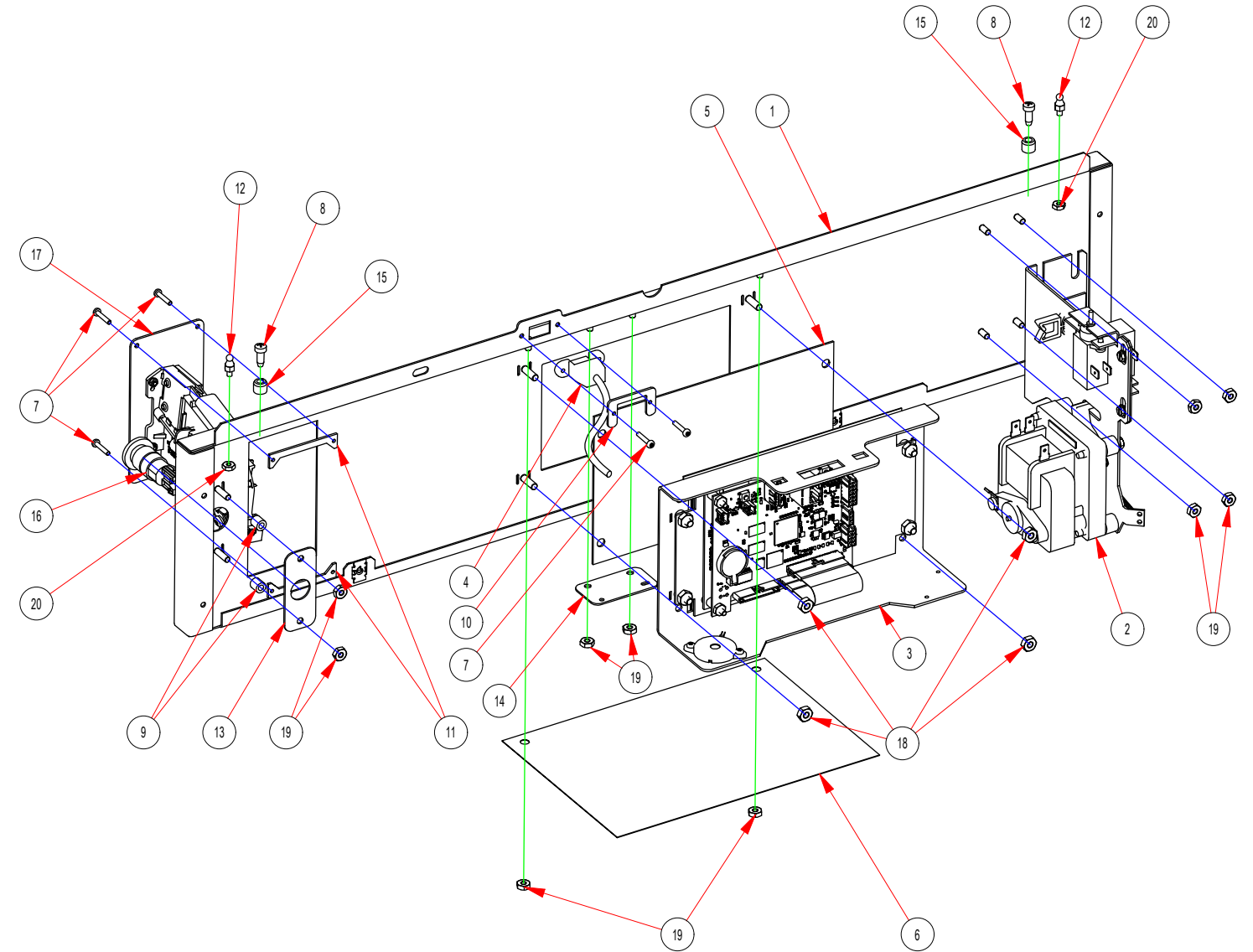
Electrical Components Parts Group



Control Panel Parts Group

| Key | Description | T-350 | T-450 | QTY |
|-----|--|---------------|---------------|-----|
| * | Complete Control Panel Assembly | 9989-674-011 | 9989-676-011 | 1 |
| 1 | Control Panel | 9989-719-001 | 9989-720-001 | 1 |
| 2 | Door Locking Actuator Assembly (60Hz Only) | 9892-015-003P | 9892-015-003P | 1 |
| 2 | Door Lock Actuator Assembly (50Hz Only) | 9892-015-002P | 9892-015-002P | 1 |
| 3 | Display Control Board Assembly | 9857-288-003 | 9857-289-003 | 1 |
| 4 | USB Cable Assembly | 9806-022-001 | 9806-022-001 | 1 |
| 5 | Display Protector Window | 9635-024-002 | 9635-025-002 | 1 |
| 6 | PCB Plastic Shield | 9550-201-001 | 9550-201-001 | 1 |
| 7 | Screw-PNHDTORX, 4Bx5/8,CHR | 9545-053-002P | 9545-053-002P | 6 |
| 8 | Screw-FIHDCR,#10Bx5/16 | 9545-008-023P | 9545-008-023P | 2 |
| 9 | Spacer, Plastic, #8x5/16 | 9538-157-020P | 9538-157-020P | 2 |
| 10 | Retainer, USB | 9486-159-001 | 9486-159-001 | 1 |
| 11 | Retainer, Dual Coin Acceptor | 9486-149-001P | 9486-149-001P | 2 |
| 12 | Post, Top Locator | 9467-024-001 | 9467-024-001 | 2 |
| 13 | Plate, Stop Button Mounting | 9452-725-001 | 9452-725-001 | 1 |
| 14 | Plate, Top Latch | 9452-625-001 | 9452-625-001 | 1 |
| 15 | Locator, Panel | 9355-001-001 | 9355-001-001 | 2 |
| 16 | Button, E-Stop w/o Latching | 9035-061-001 | 9035-061-001 | 1 |
| 17 | Coin Acceptor | 9021-099-001 | 9021-099-001 | 1 |
| 18 | Nut-HEXKEPS, 10-32 | 8640-413-002P | 8640-413-002P | 4 |
| 19 | Nut-NEXKEPS,#8-32 | 8640-412-005P | 8640-412-005P | 10 |
| 20 | Nut, HEXKEPS,#6-32 | 8640-411-003P | 8640-411-003P | 2 |
| 21 | Nameplate, Blue | 9412-264-002 | 9412-265-002 | 1 |
| 21 | Nameplate, Black | 9412-264-01 | 9412-265-001 | 1 |
| * | Label, Namplate - Stop, Blue | 8502-789-002 | | 1 |
| * | Label, Namplate - Stop, Black | 8502-789-001 | | 1 |

Control Panel Parts Group



Accessories for X-Series Vended Large Chassis Express Washers

WC0650__-__T__

WC0950__-__T__

WC1450__-__T__

| Description | T-650 | T-950 | T-1450 | QTY |
|---|----------------|----------------|----------------|-----|
| Hose, Water Supply 3/8" I.D. x 48" | 9990-027-011 | 9990-027-011 | 9999-027-011 | 2 |
| Hose, Water Supply 5/8" I.D. x 48" | | 9990-027-013 | 9990-027-013 | 2 |
| Washer, Inlet Hose (furnished) | 8641-242-000 | 8641-242-000 | 8641-242-000 | 2 |
| Strainer, Inlet Hose (furnished) | 9565-003-001 | 9565-003-001 | 9565-003-001 | 2 |
| Bevel Washer for 3/4" bolt used in installations using angle iron bases | 8641-586-003 | 8641-586-003 | 8641-586-003 | 4 |
| Sealing compound | 8538-151-001 | 8538-151-001 | 8538-151-001 | 1 |
| TORX#20 | 8545-051-002 | 8545-051-002 | 8545-051-003 | 1 |
| Special Tool For Removing Coin Acceptor Mounting Screws. (T-10 Torx) | 8545-051-003 | 8545-051-003 | 8545-051-003 | 1 |
| Flow Restrictors (in dispenser) | 9475-002-002 | 9475-002-002 | 9475-002-002 | 2 |
| Special Tool for adjusting spacing between outer tub front and cylinder front | 8545-056-001 | 8545-056-001 | 8545-056-001 | 1 |
| Clamps to hold tub front to outer tub when installing tub front | Vise Grip #11R | Vise Grip #11R | Vise Grip #11R | 1 |
| Coin Bearing & Seal Kit | 9732-219-007 | 9732-219-007 | 9732-219-009 | 1 |
| Key Service Lock (6324) | 6292-006-007 | 6292-006-007 | 6292-006-007 | 1 |
| MS300 Display | 9150-058-001 | 9150-058-001 | 9150-058-001 | 1 |
| Plastic Plug 1 1/2"-(inside cylinder) | 9456-041-007 | | | 1 |



DEXTER
LAUNDRY



Section 2: Touch Series Vended Large Chassis Washers Express (200G) Parts Data

Kits, Assemblies, and Common Parts

| Coin Acceptor Components | Part Number |
|---|---------------|
| Retainer, Coin Acceptor | 9486-149-001 |
| Coin Drop Screws | 9545-053-002 |
| Loading Door & Door Lock Components | Part Number |
| Door Glass Gasket (Standard Door) | 9206-419-001 |
| Door Glass Gasket (Small Door) | 9206-411-002 |
| Kit - Door Gasket Expander Kit (Small) | 9732-139-001 |
| Kit - Door Gasket Expander Kit (Large) | 9732-139-002 |
| Door Handle Only (Large) | 9244-091-001 |
| Door Close Switch | 9539-492-001 |
| Door Lock Gear Motor Assembly (60Hz Only) | 9892-015-003 |
| Door Lock Gear Motor Assembly 24V (50Hz Only) | 9892-015-002 |
| Door Latching Assembly | 9885-031-001P |
| Electrical Components | Part Number |
| Transformer, Control (60Hz Only) | 8711-017-001 |
| Transformer, Control (50Hz Only) | 8711-004-004 |
| Main Control Board | 9799-029-001P |
| Water Pressure Sensor | 9474-013-001 |
| VFD & Breaking Resistors Components | Part Number |
| Breaking Resistor 200 Ohms | 9483-004-002 |
| Data Cable | 9806-023-003 |
| MS 300 VFD Display | 9150-058-001 |
| Drain & Water Valve Components | Part Number |
| Kit - 3" Drain Valve Seal Replacement | 9732-327-001 |
| Drain Valve 3" (T-450) (60Hz Only) | 9379-202-001 |
| Drain Valve 3" 24V (T-450) (50Hz Only) | 9379-202-002 |
| Water Valve (Dual) (60Hz Only) | 9379-183-012 |
| Water Valve (Dual) (50Hz Only) | 9379-183-013 |
| Diaphragm (Dual) | 9118-049-003 |
| Water Valve (Single) (60Hz Only) | 9379-194-001 |
| Water Valve (Single) (50Hz Only) | 9379-193-001 |
| Diaphragm (Single) | 9118-055-001 |
| Cabinet Components | Part Number |
| Front Panel Screw | 9545-008-014 |
| Front Panel Finisher Washer | 8641-585-001 |
| Front Panel Spring Nut | 8640-442-001 |
| 5/16 Hex Screw, Common | 9545-008-026 |
| Top Lock Key #6324 | 6292-006-007 |
| Cylinder Plug (1.5" Plastic) | 9456-041-007 |

Wiring Harnesses

| Description | T-650 | T-950 | T-1450 | QTY |
|--|--------------|--------------|--------------|-----|
| Wiring Harness, Coin Vault Switch | 9628-025-001 | 9628-025-001 | 9628-025-001 | 1 |
| Wiring Harness, Door Lock | 9627-936-003 | 9627-936-001 | 9627-936-004 | 1 |
| Wire Assembly, WHT/RED, Water Valve | 8220-123-002 | 8220-119-003 | 8220-119-003 | 1 |
| Data Cable Assembly | 9806-023-004 | 9806-023-005 | 9806-023-005 | 1 |
| Wiring Harness, Ctrl/Graphics | 9627-922-002 | 9627-922-002 | 9627-922-002 | 1 |
| Wiring Harness, Relay, 15-pin | 9628-023-001 | 9628-023-001 | 9628-023-001 | 1 |
| Model ID Jumper Wire | 8220-158-017 | 8220-158-025 | 8220-158-029 | 1 |
| Wiring Harness, Door/E-Stop | 9628-022-001 | 9628-022-001 | 9628-022-001 | 1 |
| Wiring Harness, Control/Relay | 9627-921-001 | 9627-921-001 | 9627-921-001 | 1 |
| Relay Jumper Wire | 8220-159-006 | 8220-159-006 | 8220-159-006 | 1 |
| Wiring Harness, WPS | 9628-020-001 | 9628-020-001 | 9628-020-001 | 1 |
| Wire Assembly, ORG | 8220-062-052 | 8220-062-052 | 8220-062-052 | 1 |
| Wire Assembly, WHT/ORG | 8220-062-053 | 8220-062-053 | 8220-062-053 | 1 |
| Wiring Harness, Power Supply | 9627-923-001 | 9627-923-001 | 9627-923-001 | 1 |
| Wiring Harness, VFD Enable | 9628-021-001 | 9628-021-001 | 9628-021-001 | 1 |
| Wiring Harness, 15-pin, Non-Inj | 9627-934-001 | 9627-934-001 | 9627-934-001 | 1 |
| Wiring Harness, Payment, Programmable Acpt | 9628-024-002 | 9628-024-002 | 9628-024-001 | 1 |
| USB Cable Assembly | 9806-022-001 | 9806-022-001 | 9806-022-001 | 1 |
| Wiring Harness, Pwr Term. Block | 9627-932-001 | 9627-932-001 | 9627-932-001 | 1 |
| Wiring Label, Diagram/Informative | 9507-087-001 | 9507-089-001 | 9507-090-001 | 1 |
| Wiring Label, Schematic | 9508-087-001 | 9508-089-001 | 9508-090-001 | 1 |
| Black Wire Assembly, Braking Resistors | 8220-117-002 | 8220-117-002 | 8220-117-002 | 2 |
| Blue Wire Assembly - Door Switch | 8220-063-051 | 8220-063-051 | 8220-063-051 | 1 |
| Blue/Wht Wire Assembly - Door Switch | 8220-063-052 | 8220-063-052 | 8220-063-052 | 1 |

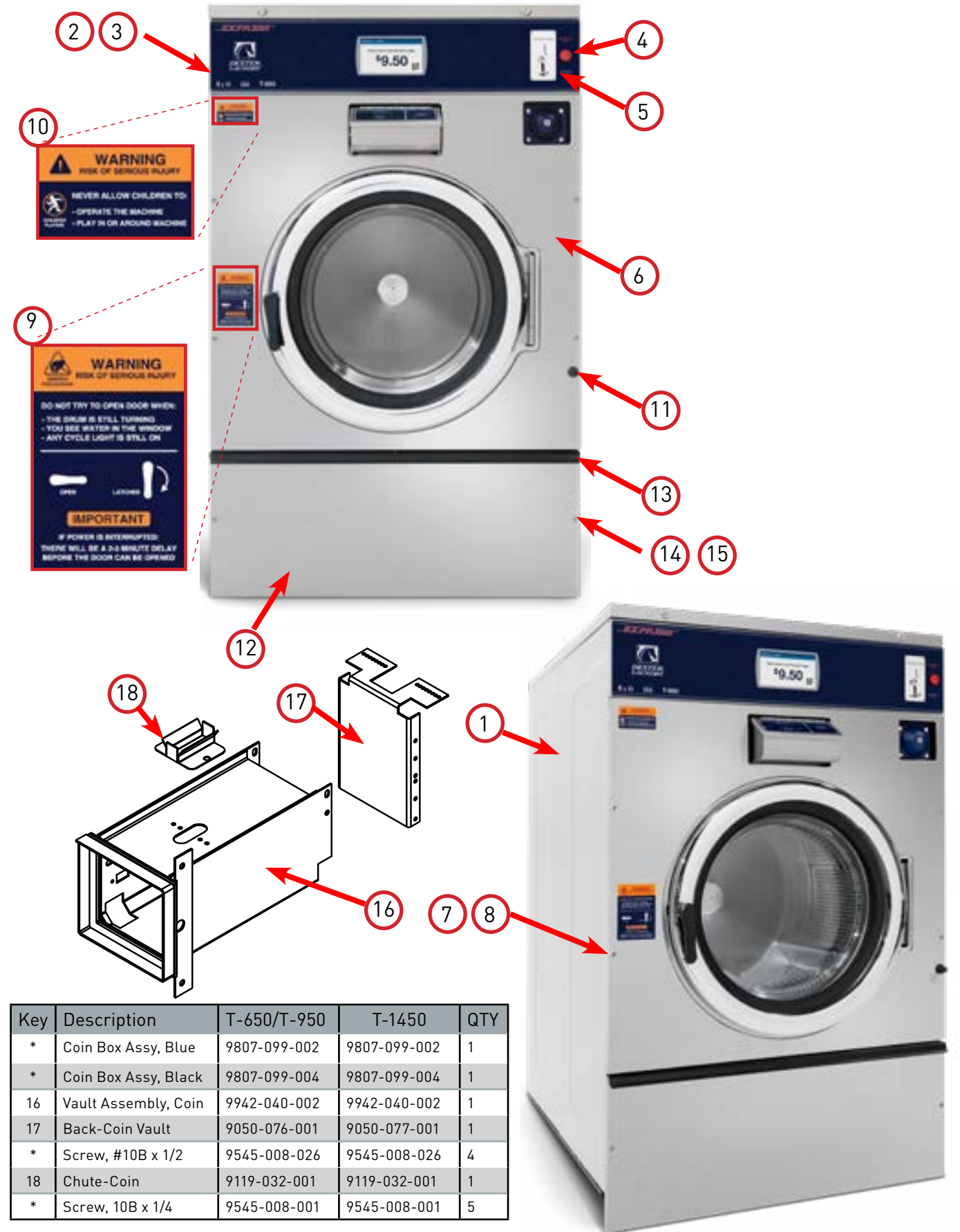
50Hz Wiring Harnesses Only

| Description | T-650 | T-950 | T-1450 | QTY |
|--|--------------|--------------|--------------|-----|
| Wiring Harness, Pwr Term Block, Non-Htd | 9628-001-001 | 9628-001-001 | 9628-001-001 | 1 |
| Wiring Harness, 15-pin, Valves | 9628-004-001 | 9628-004-001 | 9628-004-001 | 1 |
| Wiring Harness, Relay, 15-pin | 9628-028-001 | 9628-028-001 | 9628-028-001 | 1 |
| Wiring Harness, Payment, Programmable Acpt | 9628-024-001 | 9628-024-001 | 9628-024-001 | 1 |
| Jumper Wire Assembly, WHT/ORG, Water Valve | 8220-123-003 | 8220-119-004 | 8220-119-004 | 1 |
| Wiring Label, Diagram | 9507-100-001 | 9507-102-001 | 9507-103-001 | 1 |
| Wiring Label, Schematic | 9508-100-001 | 9508-102-001 | 9508-103-001 | 1 |

Cabinet & Front Panel Parts Group

| Key | Description | T-650 | T-950 | T-1450 | QTY |
|-----|--|--------------|--------------|--------------|-----|
| 1 | Panel, Right Side-stainless | 9989-644-001 | 9989-646-001 | 9989-648-001 | 1 |
| * | Panel, Left Side - stainless | 9989-644-002 | 9989-646-002 | 9989-648-002 | 1 |
| * | Screw | 9545-018-013 | 9545-018-013 | 9545-018-013 | 4 |
| * | Nut, Hex 1/4-20 UNC | 8640-414-006 | 8640-414-006 | 8640-414-006 | 8 |
| * | Bracket, Side Panel under front panel | 9046-094-001 | 9046-085-001 | 9046-085-001 | 1 |
| * | Screw, #10B x 1/2 | 9545-008-026 | 9545-008-026 | 9545-008-026 | 1 |
| 2 | Panel, Control (Mounts Nameplate) | 9989-721-001 | 9989-722-001 | 9989-723-001 | 1 |
| * | Screw, Control Panel to Sides | 9545-008-026 | 9545-008-026 | 9545-008-026 | 4 |
| 3 | Nameplate Decal, Control Panel (Blue) | 9412-266-002 | 9412-268-002 | 9412-269-002 | 1 |
| 3 | Nameplate Decal, Control Panel (Black) | 9412-266-001 | 9412-268-001 | 9412-269-001 | 1 |
| * | Stop Button Mounting Plate | 9452-725-001 | 9452-725-001 | 9452-725-001 | 1 |
| 4 | Emergency Stop Button | 9035-061-001 | 9035-061-001 | 9035-061-001 | 1 |
| * | Emergency Stop Switch | 9539-496-001 | 9539-496-001 | 9539-496-001 | 1 |
| 5 | Acceptor, Coin | 9021-099-001 | 9021-099-001 | 9021-077-001 | 1 |
| * | Switch Assembly, Optical Coin | 9801-099-003 | 9801-099-003 | | 1 |
| * | Retainer-Dual coin Acceptor | 9486-149-001 | 9486-149-001 | 9486-149-001 | 2 |
| * | Screws, Coin Acceptor | 9545-053-002 | 9545-053-002 | 9545-053-002 | 4 |
| 6 | Front Panel | 9454-913-001 | 9444-048-001 | 9444-054-001 | 1 |
| * | Nut, Hex (to tub front) | 8640-414-003 | 8640-414-003 | 8640-414-003 | 1 |
| * | Door Close Switch | 9539-492-001 | 9539-492-001 | 9539-492-001 | 1 |
| * | Screw, Hex- To Control Panel | 9545-008-026 | 9545-008-026 | 9545-008-026 | 2 |
| * | Nut, Expansion- To Control Panel | 8640-442-001 | 8640-442-001 | 8640-442-001 | 2 |
| 7 | Screw, Flat Head- Front to Sides | 9545-008-026 | 9545-008-026 | 9545-008-026 | 4 |
| 8 | Washer, Finish | 8641-585-001 | 8641-585-001 | 8641-585-001 | 4 |
| * | Nut, Expansion-To Front Panel | 8640-442-001 | 8640-442-001 | 8640-442-001 | 4 |
| 9 | Label, Door Opening-Blue | 8502-757-002 | 8502-757-002 | 8502-757-002 | 1 |
| 9 | Label, Door Opening-Black | 8502-757-001 | 8502-757-001 | 8502-757-001 | 1 |
| 10 | Label, Warning Risk of Injury-Blue | 8502-759-002 | 8502-759-002 | 8502-759-002 | 1 |
| 10 | Label, Warning Risk of Injury-Black | 8502-759-001 | 8502-759-001 | 8502-759-001 | 1 |
| 11 | Bumper-Loading door | 9051-055-001 | 9051-055-001 | 9051-055-001 | 1 |
| * | Nut, 1/4-20 UNC, 2B | 8640-414-003 | 8640-414-003 | 8640-414-003 | 1 |
| 12 | Door, Lower Service (includes handle & Rivits) | 9960-286-002 | 9960-286-004 | 9960-286-005 | 1 |
| 13 | Handle (bumper guard) | 9244-086-002 | 9244-086-003 | 9244-086-004 | 1 |
| * | Rivet | 9491-009-003 | 9491-009-003 | 9491-009-003 | 4 |
| 14 | Screw Mtg., Flat Head | 9545-008-014 | 9545-008-014 | 9545-008-014 | 2 |
| 15 | Washer, Finish | 8641-585-001 | 8641-585-001 | 8641-585-001 | 2 |
| * | Nut, Expansion | 8640-442-001 | 8640-442-001 | 8640-442-001 | 2 |

Cabinet & Front Panel Parts Group



| Key | Description | T-650/T-950 | T-1450 | QTY |
|-----|----------------------|--------------|--------------|-----|
| * | Coin Box Assy, Blue | 9807-099-002 | 9807-099-002 | 1 |
| * | Coin Box Assy, Black | 9807-099-004 | 9807-099-004 | 1 |
| 16 | Vault Assembly, Coin | 9942-040-002 | 9942-040-002 | 1 |
| 17 | Back-Coin Vault | 9050-076-001 | 9050-077-001 | 1 |
| * | Screw, #10B x 1/2 | 9545-008-026 | 9545-008-026 | 4 |
| 18 | Chute-Coin | 9119-032-001 | 9119-032-001 | 1 |
| * | Screw, 10B x 1/4 | 9545-008-001 | 9545-008-001 | 5 |

Cabinet & Front Panel Parts Group Continued

| Key | Description | T-650 | T-950 | T-1450 | QTY |
|-----|--------------------------------------|--------------|--------------|--------------|-----|
| 19 | Panel Top, Assembly (includes catch) | 9989-563-006 | 9989-659-001 | | 1 |
| 20 | Lock, Top (w/Key) | 8650-012-003 | 8650-012-003 | 8650-012-003 | 1 |
| * | Lock Spacer | 9538-189-001 | 9538-189-001 | 9538-189-001 | * |
| * | Key, Top- # 6324 | 6292-006-007 | 6292-006-007 | 6292-006-007 | 1 |
| * | Cam, Lock-Top | 9095-049-001 | 9095-049-001 | 9095-049-001 | 1 |
| * | Nut, 9/32 - 28 Hex | 8640-426-001 | 8640-426-001 | 8640-426-001 | 1 |
| * | Washer Flat 5/16 | 8641-581-008 | 8641-581-008 | 8641-581-008 | 1 |
| 21 | Screw, Locator | 9545-008-023 | 9545-008-023 | 9545-008-023 | 1 |
| 22 | Plastic Sleeve, Locator | 9355-001-001 | 9355-001-001 | 9355-001-001 | 2 |
| 23 | Locator Post | 9467-024-001 | 9467-024-001 | 9467-024-001 | 2 |
| * | Nut, Locator Post | 8640-411-003 | 8640-411-003 | 8640-411-003 | 2 |
| 24 | Complete Soap Box Assembly with Lid | 9807-103-001 | 9807-103-001 | 9807-103-001 | 1 |
| * | Soap Box Gasket | 9206-425-001 | 9206-425-001 | 9206-425-001 | 1 |
| * | Soap Box Lid Assembly | 9987-104-001 | 9987-104-001 | 9987-104-001 | 1 |
| * | Soap Box Screws | 9545-012-017 | 9545-012-017 | 9545-012-017 | 2 |
| * | Soap Boc Softener Tube | 9574-252-002 | 9574-252-002 | 9574-252-002 | 1 |
| * | Nut-Hex, #10-32 | 8640-413-004 | 8640-413-004 | 8640-413-004 | 6 |
| * | Spacer-Plastic | 9538-157-026 | 9538-157-026 | 9538-157-026 | 6 |
| * | Soap Box Mounting Bracket | 9029-122-002 | 9029-122-002 | 9029-122-002 | 1 |
| * | Flow Restrictor | 9475-002-003 | 9475-002-003 | 9475-002-003 | 1 |
| * | Hose Clamp, 1in | 8654-117-015 | 8654-117-015 | 8654-117-015 | 2 |
| * | Clamp-Hose | 8654-117-017 | 8654-117-017 | 8654-117-017 | 2 |

Cabinet & Front Panel Parts Group Continued

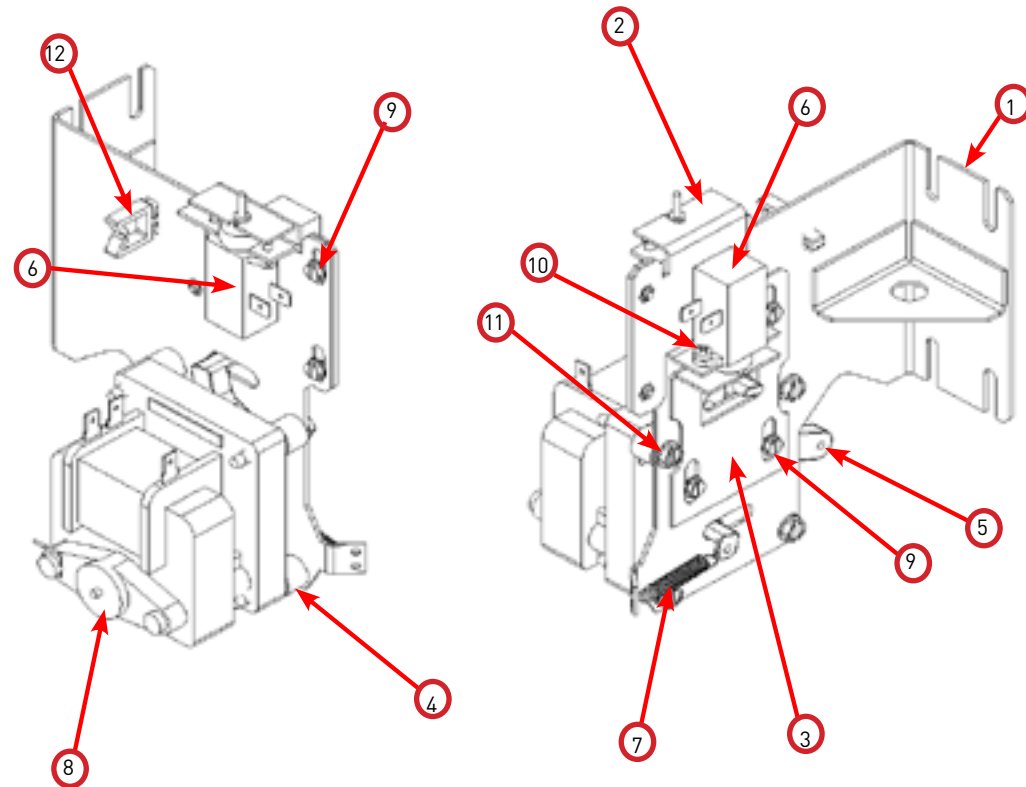


Door Lock Gear Motor Parts Group

| Key | Description | T-650 | T-950 | T-1450 | QTY |
|-----|---|--------------|--------------|--------------|-----|
| * | Actuator Assembly (Includes 1-12, Rod NOT included) (60Hz Only) | 9892-015-003 | 9892-015-003 | 9892-015-003 | 1 |
| 1 | Bracket Assy, Slide Lock Actuator | 9985-190-001 | 9985-190-001 | 9985-190-001 | 1 |
| 2 | Bracket Assy, Slide - Unlock | 9985-189-001 | 9985-189-001 | 9985-189-001 | 1 |
| 3 | Bracket Slide Lock | 9029-204-001 | 9029-204-001 | 9029-204-001 | 1 |
| 4 | Spacer, Plastic | 9538-157-021 | 9538-157-021 | 9538-157-021 | 4 |
| 5 | Arm - Door Lock | 9001-063-001 | 9001-063-001 | 9001-063-001 | 1 |
| 6 | Thermoactuator-Door Lock Rel 120v (60Hz Only) | 9586-001-003 | 9586-001-003 | 9586-001-003 | 2 |
| 7 | Spring - Extension | 9534-350-001 | 9534-350-001 | 9534-350-001 | 1 |
| 8 | Motor & Gear Assembly 120v (60Hz Only) | 9914-137-015 | 9914-137-015 | 9914-137-015 | 1 |
| 9 | Screw -Hxwshrdslsems, 6-32 x 3/16 | 9545-044-003 | 9545-044-003 | 9545-044-003 | 6 |
| 10 | Cross Recessed PAN Hd Tapping screw | 9545-031-011 | 9545-031-011 | 9545-031-011 | 4 |
| 11 | Screw - hxwshdsl, 10-24 - 1.25f, ctd (60Hz) | 9545-046-007 | 9545-046-007 | 9545-046-007 | 4 |
| 12 | Standoff-Wire | 9527-007-001 | 9527-007-001 | 9527-007-001 | 1 |
| * | Rod, Door Lock | 9497-225-011 | 9497-225-011 | 9497-225-011 | 1 |
| * | Harness, Door Lock | 9627-936-002 | 9627-936-002 | 9627-936-002 | 1 |

50Hz Door Lock Gear Motor Parts Group Only

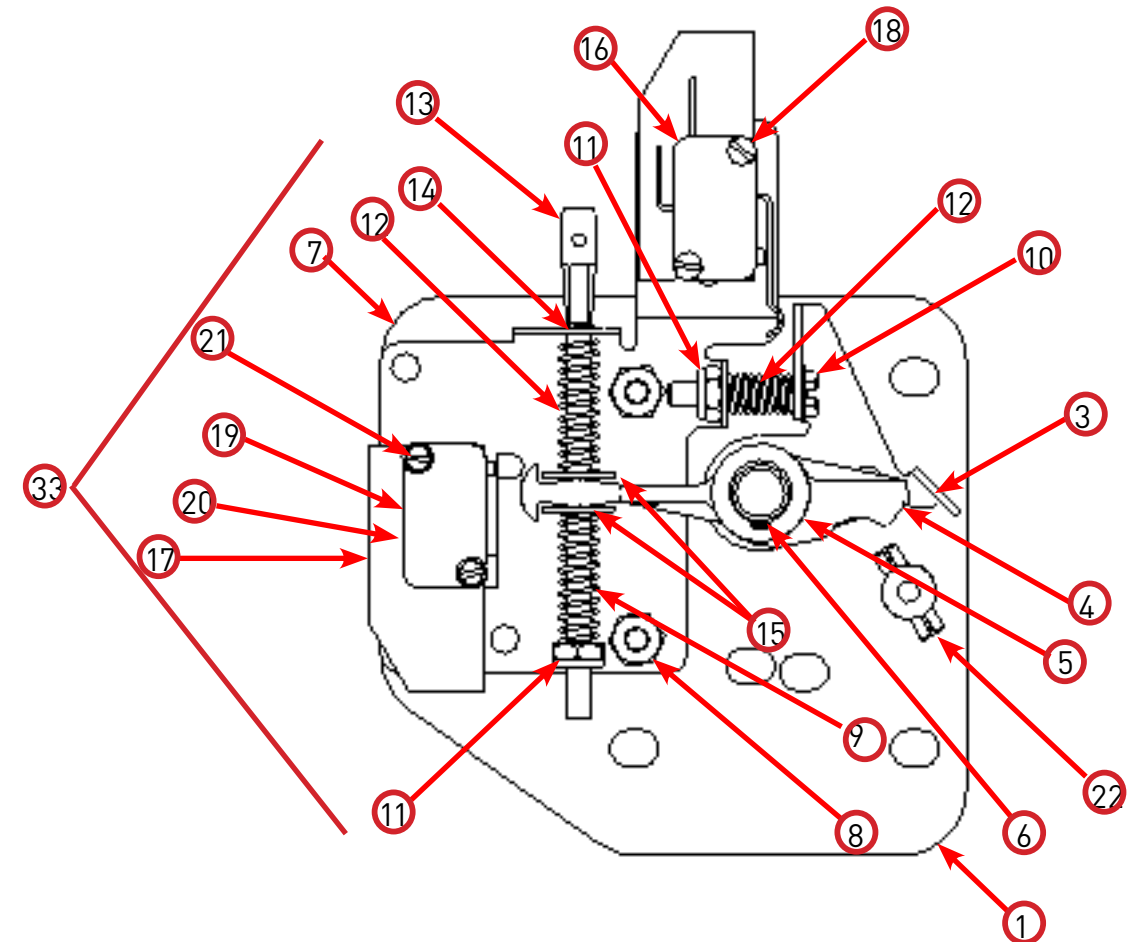
| Key | Description | T-650 | T-950 | T-1450 | QTY |
|-----|--------------------------------------|--------------|--------------|--------------|-----|
| * | Actuator Assembly (Rod NOT included) | 9892-015-002 | 9892-015-002 | 9892-015-002 | 1 |
| 6 | Thermoactuator-Door Lock Relay 24V | 9586-001-003 | 9586-001-003 | 9586-001-003 | 2 |
| 8 | Motor & Gear Assembly 24V | 9914-137-014 | 9914-137-014 | 9914-137-014 | 1 |
| 11 | Screw Pnhdcr, 10-32 UNFx0.75 | 9545-012-027 | 9545-012-027 | 9545-012-027 | 4 |



Door Lock Latching Assembly Parts Group

| Key | Description | All Models | QTY |
|-----|--|--------------|-----|
| 33 | Latching Assy, Complete (includes #1 thru #22) | 9885-031-001 | 1 |
| 1 | Plate Assy, Door Lock | 9982-346-001 | 1 |
| 2 | Washer, Flat (SS or Brass) | 8641-581-030 | 1 |
| 3 | Actuator, Latching Switch | 9008-005-001 | 1 |
| 4 | Pawl, Locking | 9732-346-002 | 1 |
| 5 | Washer, Spring | 8641-569-003 | 1 |
| 6 | Ring, Retaining | 9487-200-004 | 1 |
| 7 | Bracket Switch | 9029-163-001 | 1 |
| 8 | Nut, Hex 10-32 UNF | 8640-413-002 | 2 |
| 9 | Spring, Actuating | 9534-364-002 | 1 |
| 10 | Screw, Hx. 10-32 x 1" | 9545-012-020 | 1 |
| 11 | Nut, Elastic Stop 10-32 | 8640-413-004 | 2 |
| 12 | Spring, Return | 9534-364-001 | 2 |
| 13 | Pin, Guide | 9451-193-001 | 1 |

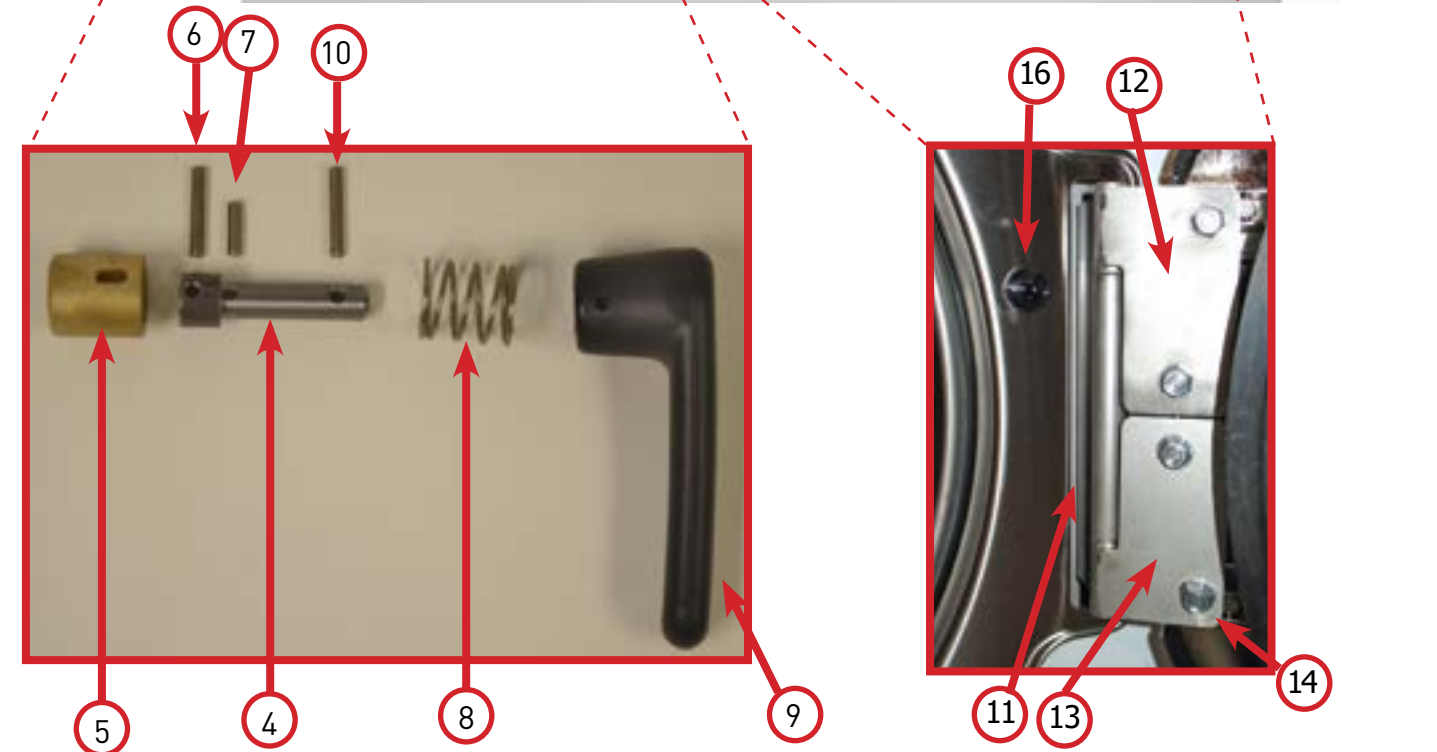
| Key | Description | All Models | QTY |
|-----|--------------------------------|--------------|-----|
| 14 | Ring, Retaining | 9487-200-005 | 1 |
| 15 | Washer | 8641-581-031 | 1 |
| 16 | Switch, Latching Sensing | 9539-461-008 | 1 |
| 17 | Shield, Switch | 9550-169-003 | 3 |
| 18 | Screw 4-40 x 5/8" | 9545-020-001 | 2 |
| 18 | Nut, Twin 4-40 | 8640-401-001 | 1 |
| 19 | Switch, Locking Sensing | 9539-461-007 | 2 |
| 20 | Actuator, Switch Locking | 9008-006-003 | 1 |
| 21 | Screw 4-40 x 1 1/8" | 9545-020-003 | 2 |
| 21 | Nut, Twin 4-40 | 8640-401-001 | 1 |
| * | Spacer Sensor | 9538-182-001 | * |
| 22 | Pin, Dowel (for door cam) | 9451-181-004 | 1 |
| * | Shim, Door Lock, Thin | 9552-037-001 | AR |
| * | Screw, Lock mtg 1/4"-20 x 3/4" | 9545-018-014 | 3 |
| * | Lockwasher 1/4" Ext tooth | 8641-582-007 | 3 |
| * | Door Stud Pin, 3/16" x 3/4" | 9451-181-004 | 1 |



Loading Door Parts Group

| Key | Description | T-650 | T-950 | T-1450 | QTY | | | | | | | | | | | | | | | | | | | | | | | | | | | | | | | | | | | | | | | | | | | | | | | | | | | | | | | | | | | | | | | | | | | | | | | | |
|-----|--|--------------|--------------|--------------|--|---|------------------|--------------|--------------|--------------|---|---|--------------|--------------|--------------|--------------|---|----|---------------------------|--------------|--------------|--------------|---|----|---|--------------|--------------|--------------|---|---|---------------------------------|--------------|--------------|--------------|---|---|--|--------------|--------------|--------------|---|---|------------------|--------------|--------------|--------------|---|----|--------------------------|--------------|--------------|--------------|---|----|-----------------------------|--------------|--------------|--------------|---|----|--|--------------|--------------|--------------|---|----|----------------------|--------------|--------------|--------------|---|----|-----------------------------|--------------|--------------|--------------|---|
| * | Complete Door Assembly (Includes #1-10) | 9960-309-001 | 9960-310-001 | 9960-310-001 | 1 | | | | | | | | | | | | | | | | | | | | | | | | | | | | | | | | | | | | | | | | | | | | | | | | | | | | | | | | | | | | | | | | | | | | | | | | |
| 1 | Ring, Loading Door | 9487-265-002 | 9487-275-001 | 9487-275-001 | 1 | | | | | | | | | | | | | | | | | | | | | | | | | | | | | | | | | | | | | | | | | | | | | | | | | | | | | | | | | | | | | | | | | | | | | | | | |
| 2 | Gasket, Loading Door | 9206-419-001 | 9206-431-001 | 9206-431-001 | 1 | | | | | | | | | | | | | | | | | | | | | | | | | | | | | | | | | | | | | | | | | | | | | | | | | | | | | | | | | | | | | | | | | | | | | | | | |
| 3 | Window, Loading Door | 9635-016-001 | 9635-020-001 | 9635-020-001 | 1 | | | | | | | | | | | | | | | | | | | | | | | | | | | | | | | | | | | | | | | | | | | | | | | | | | | | | | | | | | | | | | | | | | | | | | | | |
| * | Shaft Assembly (Includes #4-7) | 9913-136-001 | 9913-136-001 | 9913-136-001 | 1 | | | | | | | | | | | | | | | | | | | | | | | | | | | | | | | | | | | | | | | | | | | | | | | | | | | | | | | | | | | | | | | | | | | | | | | | |
| 4 | Shaft, Door Locking | 9537-195-002 | 9537-195-002 | 9537-195-002 | 1 | | | | | | | | | | | | | | | | | | | | | | | | | | | | | | | | | | | | | | | | | | | | | | | | | | | | | | | | | | | | | | | | | | | | | | | | |
| 5 | Cam, Locking | 9095-051-001 | 9095-051-001 | 9095-051-001 | 1 | | | | | | | | | | | | | | | | | | | | | | | | | | | | | | | | | | | | | | | | | | | | | | | | | | | | | | | | | | | | | | | | | | | | | | | | |
| 6 | Pin, Groove (1 1/4) | 9451-181-005 | 9451-181-005 | 9451-181-005 | 1 | | | | | | | | | | | | | | | | | | | | | | | | | | | | | | | | | | | | | | | | | | | | | | | | | | | | | | | | | | | | | | | | | | | | | | | | |
| 7 | Pin, Groove (3/4) | 9451-181-004 | 9451-181-004 | 9451-181-004 | 1 </tr <tr> <td>8</td> <td>Spring, Lock Cam</td> <td>9534-360-002</td> <td>9534-360-002</td> <td>9534-360-002</td> <td>1</td> </tr> <tr> <td>9</td> <td>Handle, Door</td> <td>9244-091-001</td> <td>9244-091-001</td> <td>9244-091-001</td> <td>1</td> </tr> <tr> <td>10</td> <td>Pin, Groove (Door Handle)</td> <td>9451-181-005</td> <td>9451-181-005</td> <td>9451-181-005</td> <td>1</td> </tr> <tr> <td>11</td> <td>Door Hinge Assembly (Mounts to Tub Front)</td> <td>9955-030-001</td> <td>9955-031-001</td> <td>9955-031-001</td> <td>1</td> </tr> <tr> <td>*</td> <td>Shim, Thin (Loading Door Hinge)</td> <td>9552-036-001</td> <td>9552-043-001</td> <td>9552-043-001</td> <td>3</td> </tr> <tr> <td>*</td> <td>Screw, Loading Door Hinge Mtg (5/16" x 9/16" ss)</td> <td>9545-014-009</td> <td>9545-014-009</td> <td>9545-014-009</td> <td>3</td> </tr> <tr> <td>*</td> <td>Lockwasher, 5/16</td> <td>8641-582-009</td> <td>8641-582-009</td> <td>8641-582-009</td> <td>3</td> </tr> <tr> <td>12</td> <td>Leaf Assembly, Hinge-Top</td> <td>9845-008-001</td> <td>9845-006-001</td> <td>9845-006-001</td> <td>1</td> </tr> <tr> <td>13</td> <td>Leaf Assembly, Hinge-Bottom</td> <td>9845-005-002</td> <td>9845-007-001</td> <td>9845-007-001</td> <td>1</td> </tr> <tr> <td>14</td> <td>Thrd Form Screw, Door Mtg 5/16" x 5/8"</td> <td>9545-056-002</td> <td>9545-056-002</td> <td>9545-056-002</td> <td>4</td> </tr> <tr> <td>15</td> <td>Bumper, Loading Door</td> <td>9051-055-001</td> <td>9051-055-001</td> <td>9051-055-001</td> <td>1</td> </tr> <tr> <td>16</td> <td>Door Close Switch (Plunger)</td> <td>9539-492-001</td> <td>9569-492-001</td> <td>9539-492-001</td> <td>1</td> </tr> | 8 | Spring, Lock Cam | 9534-360-002 | 9534-360-002 | 9534-360-002 | 1 | 9 | Handle, Door | 9244-091-001 | 9244-091-001 | 9244-091-001 | 1 | 10 | Pin, Groove (Door Handle) | 9451-181-005 | 9451-181-005 | 9451-181-005 | 1 | 11 | Door Hinge Assembly (Mounts to Tub Front) | 9955-030-001 | 9955-031-001 | 9955-031-001 | 1 | * | Shim, Thin (Loading Door Hinge) | 9552-036-001 | 9552-043-001 | 9552-043-001 | 3 | * | Screw, Loading Door Hinge Mtg (5/16" x 9/16" ss) | 9545-014-009 | 9545-014-009 | 9545-014-009 | 3 | * | Lockwasher, 5/16 | 8641-582-009 | 8641-582-009 | 8641-582-009 | 3 | 12 | Leaf Assembly, Hinge-Top | 9845-008-001 | 9845-006-001 | 9845-006-001 | 1 | 13 | Leaf Assembly, Hinge-Bottom | 9845-005-002 | 9845-007-001 | 9845-007-001 | 1 | 14 | Thrd Form Screw, Door Mtg 5/16" x 5/8" | 9545-056-002 | 9545-056-002 | 9545-056-002 | 4 | 15 | Bumper, Loading Door | 9051-055-001 | 9051-055-001 | 9051-055-001 | 1 | 16 | Door Close Switch (Plunger) | 9539-492-001 | 9569-492-001 | 9539-492-001 | 1 |
| 8 | Spring, Lock Cam | 9534-360-002 | 9534-360-002 | 9534-360-002 | 1 | | | | | | | | | | | | | | | | | | | | | | | | | | | | | | | | | | | | | | | | | | | | | | | | | | | | | | | | | | | | | | | | | | | | | | | | |
| 9 | Handle, Door | 9244-091-001 | 9244-091-001 | 9244-091-001 | 1 | | | | | | | | | | | | | | | | | | | | | | | | | | | | | | | | | | | | | | | | | | | | | | | | | | | | | | | | | | | | | | | | | | | | | | | | |
| 10 | Pin, Groove (Door Handle) | 9451-181-005 | 9451-181-005 | 9451-181-005 | 1 | | | | | | | | | | | | | | | | | | | | | | | | | | | | | | | | | | | | | | | | | | | | | | | | | | | | | | | | | | | | | | | | | | | | | | | | |
| 11 | Door Hinge Assembly (Mounts to Tub Front) | 9955-030-001 | 9955-031-001 | 9955-031-001 | 1 | | | | | | | | | | | | | | | | | | | | | | | | | | | | | | | | | | | | | | | | | | | | | | | | | | | | | | | | | | | | | | | | | | | | | | | | |
| * | Shim, Thin (Loading Door Hinge) | 9552-036-001 | 9552-043-001 | 9552-043-001 | 3 | | | | | | | | | | | | | | | | | | | | | | | | | | | | | | | | | | | | | | | | | | | | | | | | | | | | | | | | | | | | | | | | | | | | | | | | |
| * | Screw, Loading Door Hinge Mtg (5/16" x 9/16" ss) | 9545-014-009 | 9545-014-009 | 9545-014-009 | 3 | | | | | | | | | | | | | | | | | | | | | | | | | | | | | | | | | | | | | | | | | | | | | | | | | | | | | | | | | | | | | | | | | | | | | | | | |
| * | Lockwasher, 5/16 | 8641-582-009 | 8641-582-009 | 8641-582-009 | 3 | | | | | | | | | | | | | | | | | | | | | | | | | | | | | | | | | | | | | | | | | | | | | | | | | | | | | | | | | | | | | | | | | | | | | | | | |
| 12 | Leaf Assembly, Hinge-Top | 9845-008-001 | 9845-006-001 | 9845-006-001 | 1 | | | | | | | | | | | | | | | | | | | | | | | | | | | | | | | | | | | | | | | | | | | | | | | | | | | | | | | | | | | | | | | | | | | | | | | | |
| 13 | Leaf Assembly, Hinge-Bottom | 9845-005-002 | 9845-007-001 | 9845-007-001 | 1 | | | | | | | | | | | | | | | | | | | | | | | | | | | | | | | | | | | | | | | | | | | | | | | | | | | | | | | | | | | | | | | | | | | | | | | | |
| 14 | Thrd Form Screw, Door Mtg 5/16" x 5/8" | 9545-056-002 | 9545-056-002 | 9545-056-002 | 4 | | | | | | | | | | | | | | | | | | | | | | | | | | | | | | | | | | | | | | | | | | | | | | | | | | | | | | | | | | | | | | | | | | | | | | | | |
| 15 | Bumper, Loading Door | 9051-055-001 | 9051-055-001 | 9051-055-001 | 1 | | | | | | | | | | | | | | | | | | | | | | | | | | | | | | | | | | | | | | | | | | | | | | | | | | | | | | | | | | | | | | | | | | | | | | | | |
| 16 | Door Close Switch (Plunger) | 9539-492-001 | 9569-492-001 | 9539-492-001 | 1 | | | | | | | | | | | | | | | | | | | | | | | | | | | | | | | | | | | | | | | | | | | | | | | | | | | | | | | | | | | | | | | | | | | | | | | | |

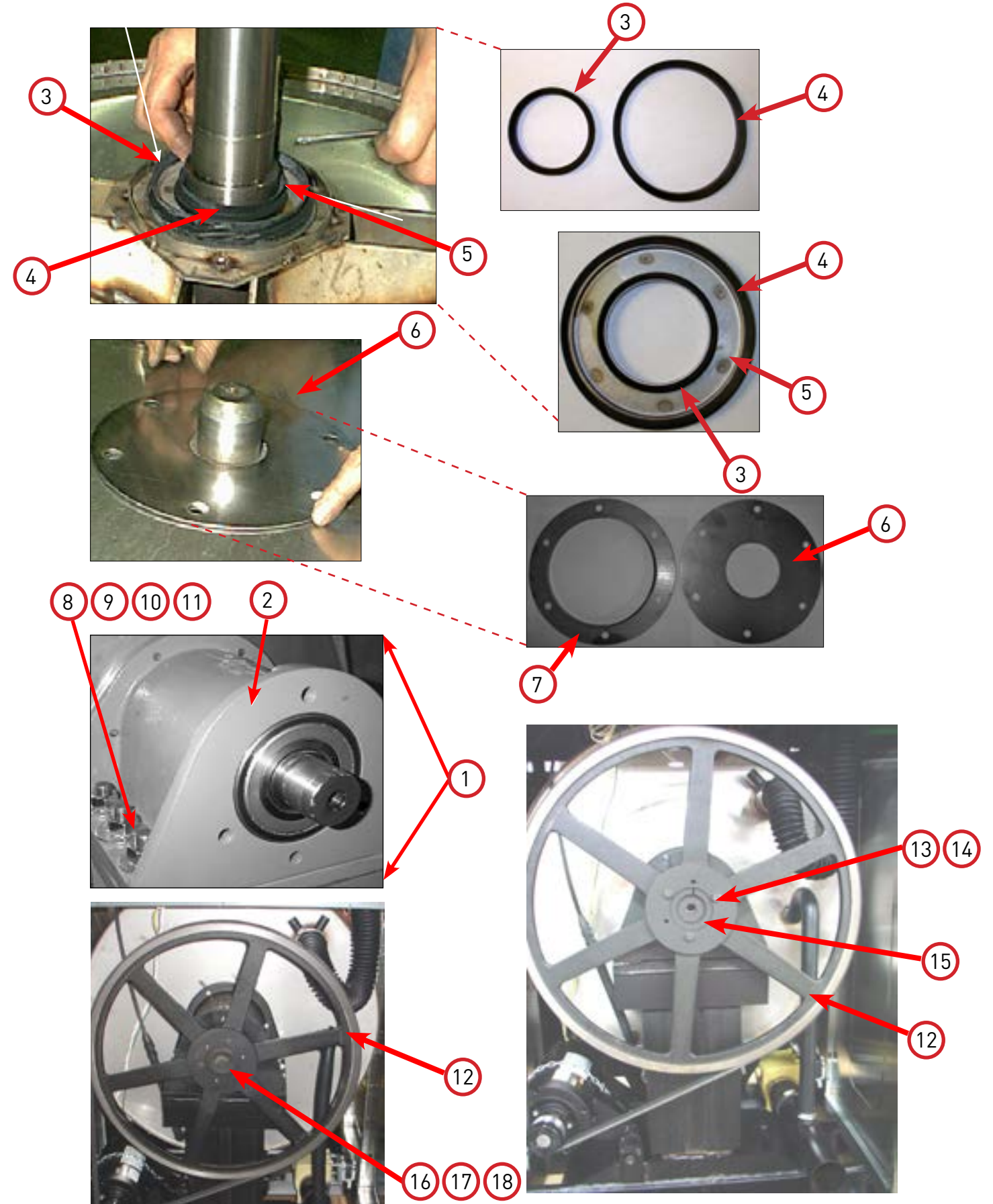
Loading Door Parts Group



Cylinder, Seals, & Bearings Parts Group

| Key | Description | T-650 | T-950 | T-1450 | QTY |
|-----|--|--------------|--------------|--------------|-----|
| * | Bearings and Seal Kit | 9732-219-007 | 9732-219-007 | 9732-219-009 | 1 |
| * | Housing, Bearing- Assembly (Includes #2-#6) | 9803-187-001 | 9803-187-001 | 9803-209-001 | 1 |
| 2 | Housing, Bearing | 9241-181-004 | 9241-181-004 | 9241-195-003 | 1 |
| * | Bearing, Front (Small) | 9036-159-006 | 9036-159-006 | 9036-162-002 | 1 |
| * | Bearing, Rear (Large) | 9036-159-005 | 9036-159-005 | 9036-162-001 | 1 |
| * | Spacer, Bearing | 9538-170-001 | 9538-170-001 | 9538-185-001 | 1 |
| * | Ring, Bearing Retainer | 9487-238-004 | 9487-238-004 | 9487-238-004 | 1 |
| 3 | Seal, Small V85A | 9532-140-007 | 9532-140-007 | | 1 |
| 4 | Seal, Small V95A | | | 9532-140-012 | 1 |
| 4 | Seal, Large V140A | 9532-140-008 | 9532-140-008 | 9532-140-008 | 1 |
| 5 | Ring, Seal Mounting | 9950-052-001 | 9950-052-001 | 9950-062-001 | 1 |
| 6 | Tub Back Mating Ring | 9487-261-004 | 9487-261-004 | 9487-261-005 | 1 |
| 7 | Mating Ring Guard Shield | 9950-052-001 | 9950-054-004 | 9487-276-001 | 1 |
| * | Bolt, Tub End of Bearing Housing (7/16-14x1), Bolt from inside Tub | 9545-059-004 | 9545-059-004 | 9545-059-004 | 6 |
| * | Washer, Flat | 8641-581-034 | 8641-581-034 | 8641-581-034 | 6 |
| 8 | Screw-Hex Cap, 3/4"-10 x 3" (Bearing Housing to Frame) | 9545-057-002 | 9545-057-002 | | 6 |
| 8 | Screw-Hex Cap, 7/8"-10 x 3" (Bearing Housing to Frame) | | | 9545-066-001 | 6 |
| 9 | Washers Spherical 3/4 (Male half) (Bearing Housing to Frame) | 8641-588-001 | 8641-588-001 | | 6 |
| 9 | Washers Spherical 7/8 (Male half) (Bearing Housing to Frame) | | | 8641-588-003 | 6 |
| 10 | Washers Spherical 3/4 (Female half) (Bearing Housing to Frame) | 8641-588-002 | 8641-588-002 | | 6 |
| 10 | Washers Spherical 7/8 (Female half) (Bearing Housing to Frame) | | | 8641-588-004 | 6 |
| 11 | Nut 3/4"-10 (Bearing Housing to Frame) | 8640-418-003 | 8640-418-003 | | 6 |
| 11 | Nut 7/8"-9 (Bearing Housing to Frame) | | | 8640-437-001 | 6 |
| 12 | Pulley, Driven | 9453-173-002 | 9453-176-005 | 9453-176-005 | 1 |
| * | Tolerance Ring | 9487-234-004 | | | 1 |
| * | Screw, 5/8"-11 x 2" | 9545-060-004 | | | 1 |
| * | Washer-Flat, 5/8" | 8641-582-032 | | | 1 |
| * | Washer-Flat, 5/8" | 8641-582-018 | | | 1 |
| 13 | Bolt, 3/8"-16 x 2" | | 9545-029-011 | 9545-029-011 | 3 |
| 14 | Washer, 3/8" | | 8641-582-003 | 8641-582-003 | 3 |
| 15 | Bushing Taperlock (Driven & Large) | | 9053-078-002 | 9053-078-002 | 1 |
| 16 | Washer-Flat .675x2-1/2x1/4 | 8641-582-032 | 8641-581-043 | | 1 |
| 17 | Lockwasher-Exttooth, 5/8 | 8641-582-018 | 8641-582-018 | | 1 |
| 18 | Bolt, 5/8-11x1 1/2 | 9545-060-004 | 9545-060-001 | | 1 |
| 16 | Washer-Flat, .781x2-1/2x1/4 | | | 8641-581-044 | 1 |
| 17 | Lockwasher-Exttooth, 3/4 | | | 8641-582-020 | 1 |
| 18 | Bolt, 3/4-10-1 1/2 | | | 9545-057-004 | 1 |

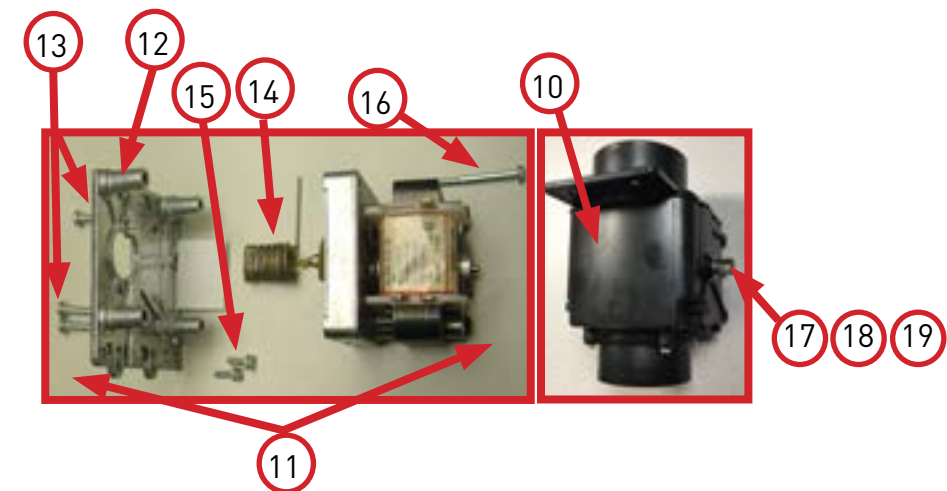
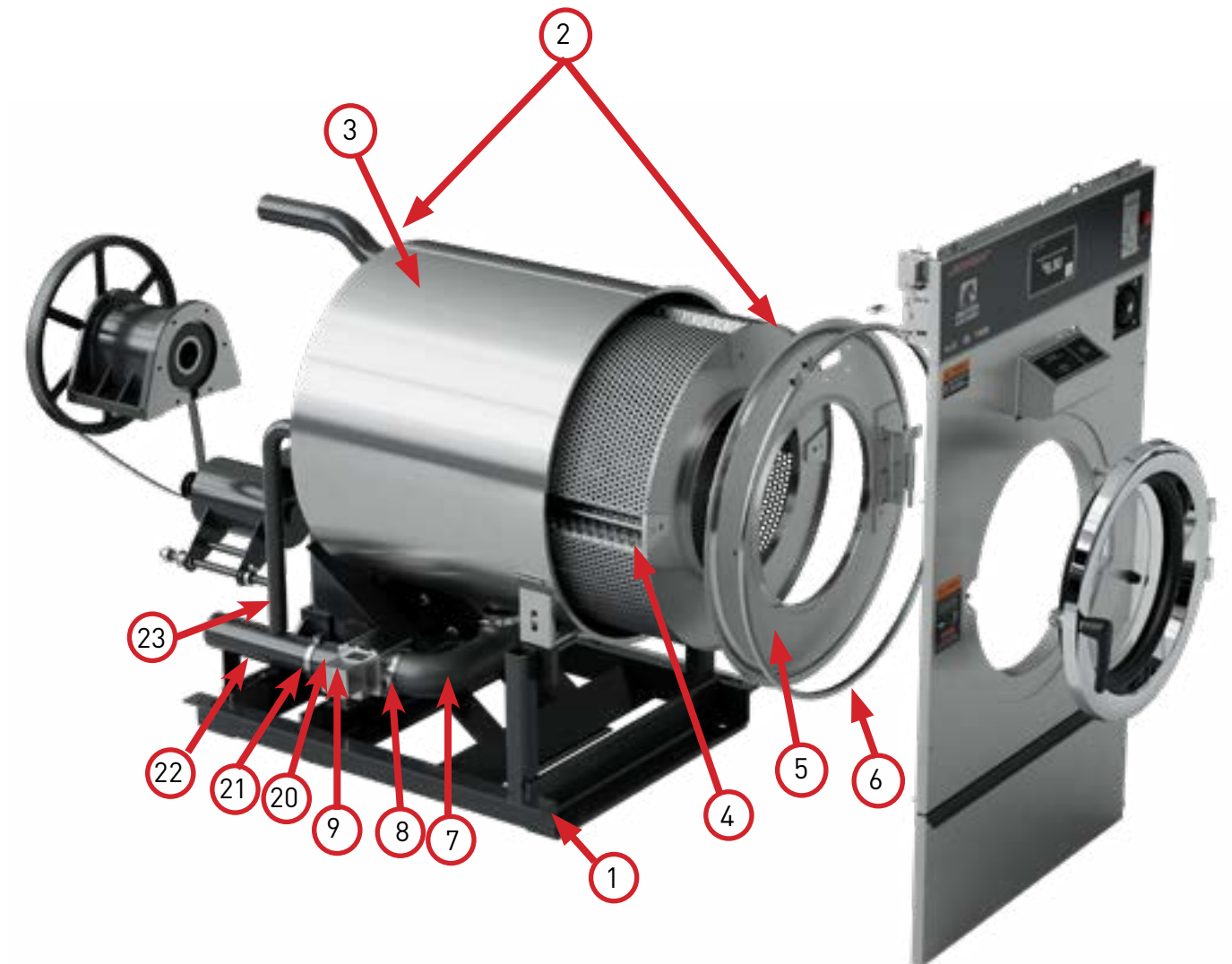
Cylinder, Seals, & Bearings Parts Group



Chassis & Drain Parts Group

| Key | Description | T-650 | T-950 | T-1450 | QTY |
|-----|---|--------------|--------------|--------------|-----|
| 1 | Base Frame Assembly | 9945-143-002 | 9945-155-002 | 9945-133-002 | 1 |
| 2 | Complete Tub and Cylinder Assembly | 9869-035-001 | 9869-027-001 | 9869-026-001 | 1 |
| 3 | Tub Assembly | 9930-181-001 | 9930-184-001 | 9930-186-001 | 1 |
| 4 | Cylinder Assembly | 9848-145-001 | 9848-136-001 | 9848-141-001 | 1 |
| 5 | Tub Front | 9974-018-001 | 9974-019-002 | 9974-020-001 | 1 |
| * | Gasket, Tub Front | 9206-421-004 | 9206-421-002 | 9206-421-003 | 1 |
| 6 | Ring Assy, Tub Mtg-Front Clamp | 9950-063-001 | 9950-055-001 | 9950-061-001 | 1 |
| * | Bolt, Top Front Ring 3/8"-16 x 3" | 9545-029-009 | 9545-029-009 | 9545-029-009 | 1 |
| * | Nut 3/8"-16 | 8640-415-001 | 8640-415-001 | 8640-415-001 | 1 |
| 7 | Hose, Tub to Drain Valve | 9242-464-001 | 9242-456-001 | 9242-459-001 | 1 |
| 8 | Hose Clamp (Tub to Drain Valve) | 8654-117-014 | 8654-117-014 | 8654-117-014 | 2 |
| 9 | Drain Valve (60Hz Only) (Includes #12-21) | 9379-202-001 | 9379-202-001 | 9379-202-001 | 1 |
| 9 | Drain Valve (50Hz Only) | 9379-202-002 | 9379-202-002 | 9379-202-002 | 1 |
| 10 | Body, Valve (w/ Ball) | 9064-072-001 | 9064-072-001 | 9064-072-001 | 1 |
| 11 | Motor & Gear Train (Complete) (60Hz Only) | 9914-137-023 | 9914-137-023 | 9914-137-023 | 1 |
| 11 | Motor & Gear Train (Complete (50Hz Only) | 9914-137-022 | 9914-137-022 | 9914-137-022 | 1 |
| 12 | Plate, Motor Mtg. | 9452-538-001 | 9452-538-001 | 9452-538-001 | 1 |
| 13 | Screw, Mtg. | 8639-994-001 | 8639-994-001 | 8639-994-001 | 4 |
| 14 | Spring, Drive | 9534-339-001 | 9534-339-001 | 9534-339-001 | 1 |
| 15 | Screw | 9545-054-001 | 9545-054-001 | 9545-054-001 | 2 |
| 16 | Screw | 9545-054-002 | 9545-054-002 | 9545-054-002 | 1 |
| 17 | Seal, V Packer | 9532-134-001 | 9532-134-001 | 9532-134-001 | 1 |
| 18 | Washer | 8641-584-001 | 8641-584-001 | 8641-584-001 | 1 |
| 19 | Pin, Main Drive | 9451-196-001 | 9451-196-001 | 9451-196-001 | 1 |
| * | Plate (Spacers Needed for Replacing Motor Mtg. Plate) | 9538-149-001 | 9538-149-001 | 9538-149-001 | 1 |
| * | Kit, Seal Replacement | 9732-327-001 | 9732-327-001 | 9732-327-001 | 1 |
| 20 | Hose, Drain Valve to Tube | 9242-457-001 | 9242-457-001 | 9242-457-002 | 1 |
| 21 | Hose Clamp (Drain Valve to Tube) | 8654-117-014 | 8654-117-014 | 8654-117-014 | 2 |
| 22 | Drain Tube Assembly | 9915-124-002 | 9915-124-002 | 9915-129-002 | 1 |
| * | Screw (Drain Tube Bracket to Base) 1/4Bx3/4 | 9545-030-002 | 9545-030-002 | 9545-030-002 | 4 |
| 23 | Hose, Overflow Suds | 9242-463-004 | 9242-463-004 | 9242-463-006 | 1 |
| * | Clamp, Overflow Hose | 8654-117-008 | 8654-117-008 | 8654-117-008 | 1 |
| * | Fill Hose, Vacuum Breaker to Tub | 9242-458-003 | 9242-458-003 | 9242-458-003 | 1 |
| * | Hose, Pressure Switch | 9242-175-004 | 9242-175-007 | 9242-175-004 | 1 |
| * | Clamp, Pressure Switch Hose | 8654-117-015 | 8654-117-015 | 8654-117-015 | 1 |

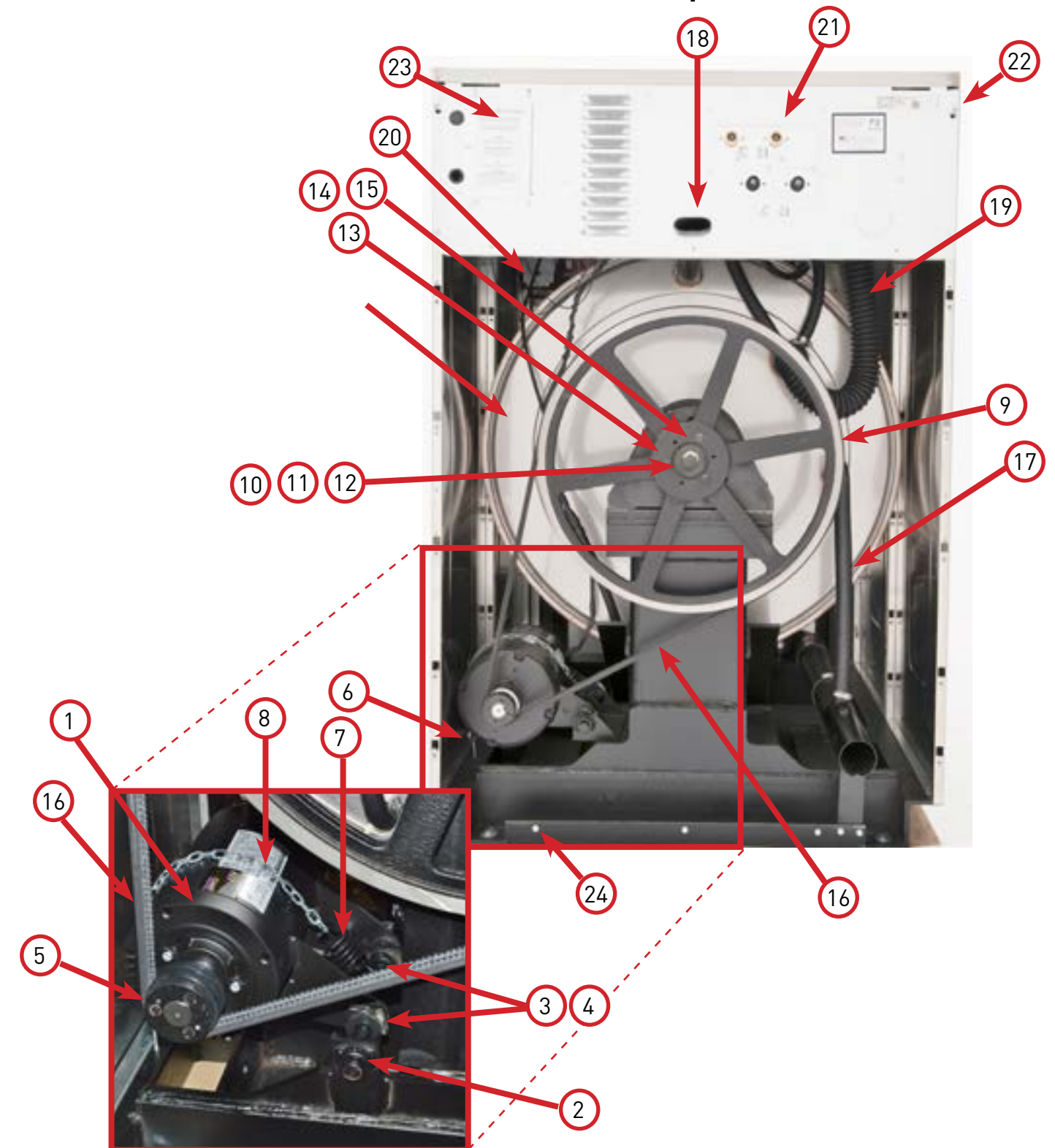
Chassis & Drain Parts Group



Rear View Parts Group

| Key | Description | T-650 | T-950 | T-1450 | QTY |
|-----|---------------------------------------|--------------|--------------|--------------|-----|
| 1 | Drive Motor, 3 Phase | 9376-319-001 | 9376-329-001 | 9376-326-002 | 1 |
| 2 | Rod, Motor Mtg | 9497-222-004 | 9497-222-004 | 9497-222-004 | 1 |
| 3 | Motor-Bushing, Support | 9053-082-001 | 9053-082-001 | 9053-082-001 | 2 |
| 4 | Clamp for motor bushing | 8654-117-019 | 8654-117-019 | 8654-117-019 | 2 |
| 5 | Pulley, Motor | 9453-170-003 | 9453-175-002 | 9453-175-002 | 1 |
| | Set, Screw | 9545-028-015 | | | |
| 5 | Split TaperBushing (motor pulley) | | 9053-077-001 | 9053-077-001 | 2 |
| * | Screw taper bushing 1/4-20x1 | | 9545-018-024 | 9545-018-024 | 3 |
| 6 | Bolt, Eye (1/4"-20x1/2") | 9545-055-001 | 9545-055-001 | 9545-055-001 | 1 |
| * | Nut, 1/4 Elastic Stop | 8640-414-003 | 8640-414-003 | 8640-414-003 | 1 |
| * | Link (open end) | | 9341-046-001 | 9341-046-001 | 1 |
| 7 | Chain (Spring Tension) | | 9099-012-003 | 9099-012-004 | 1 |
| * | Bracket Belt Tension, Mounts on Moter | 9029-206-001 | | | 1 |
| * | Nut, 10-32 | 8640-413-002 | | | 1 |
| 8 | Spring, Belt Tension | 9534-369-001 | 9534-369-001 | 9534-369-001 | 1 |
| 9 | Pulley, Driven | 9453-173-002 | 9453-176-005 | 9453-176-005 | 1 |
| * | Tolerance Ring | 9487-234-004 | | | 1 |
| 10 | Screw, 5/8"-11 x 2" | 9545-060-004 | | | 1 |
| 11 | Washer-Flat, 5/8" | 8641-582-032 | | | 1 |
| 12 | Lockwasher-Flat, 5/8" | 8641-582-018 | | | 1 |
| 10 | Washer-Flat .675x2-1/2x1/4 | | 8641-581-043 | | 1 |
| 11 | Lockwasher-Exttooth, 5/8 | | 8641-582-018 | | 1 |
| 12 | Bolt, 5/8-11x1 1/2 | | 9545-060-001 | | 1 |
| 10 | Washer-Flat, .781x2-1/2x1/4 | | | 8641-581-044 | 1 |
| 11 | Lockwasher-Exttooth, 3/4 | | | 8641-582-020 | 1 |
| 12 | Bolt, 3/4-10-1 1/2 | | | 9545-057-004 | 1 |
| 13 | Bushing Taperlock (Pulley) | | 9053-078-002 | 9053-078-002 | 1 |
| 14 | Bolt, 3/8"-16 x 2" | | 9545-029-011 | 9545-029-011 | 3 |
| 15 | Washer, 3/8" | | 8641-582-003 | 8641-582-003 | 3 |
| 16 | Drive Belt | | 9040-079-002 | 9040-079-006 | 1 |
| 16 | Drive Belt | 9040-076-005 | | | 2 |
| 17 | Hose, Overflow to drain | 9242-449-002 | 9242-449-003 | 9242-449-005 | 1 |
| * | Clamp, Hose overflow to drain | 8654-117-018 | 8654-117-018 | 8654-117-018 | 2 |
| 18 | Hose, Overflow Vent Top | 9242-463-004 | 9242-463-004 | 9242-463-006 | 1 |
| * | Clamp, Hose Vent | 8654-117-008 | 8654-117-008 | 8654-117-008 | 1 |
| * | Vaccum Breaker ALL | 9610-001-001 | 9610-001-001 | 9610-001-001 | 1 |
| * | Clamp, Hose to Vacuum Breaker | 8654-117-014 | 8654-117-014 | 8654-117-014 | 2 |
| 19 | Hose, Vacuum Breaker to tub | 9242-458-003 | 9242-458-003 | 9242-458-003 | 1 |
| * | Vaccum Breaker Bracket | 9029-077-001 | 9029-077-001 | 9029-266-001 | 1 |
| * | Inlet Cap | | 0935-135-001 | | 2 |
| 20 | Hose, Pressure Switch | 9242-175-004 | 9242-175-007 | 9242-175-004 | 1 |
| * | Clamp, Pressure Switch Hose | 8654-117-015 | 8654-117-015 | 8654-117-015 | 1 |
| 21 | Channel, Rear, | 9947-032-001 | 9947-028-001 | 9947-029-001 | 1 |
| 22 | Screw #10Bx1/2 | 9545-008-026 | 9545-008-026 | 9545-008-026 | 4 |
| * | Nut, Spring | 8640-399-004 | 8640-399-004 | 8640-399-004 | 4 |
| 23 | Cover, Terminal Block | 9074-267-001 | 9074-267-001 | 9074-267-001 | 1 |
| * | Screw #10Bx1/2 | 9545-008-026 | 9545-008-026 | 9545-008-026 | 1 |

Rear View Parts Group



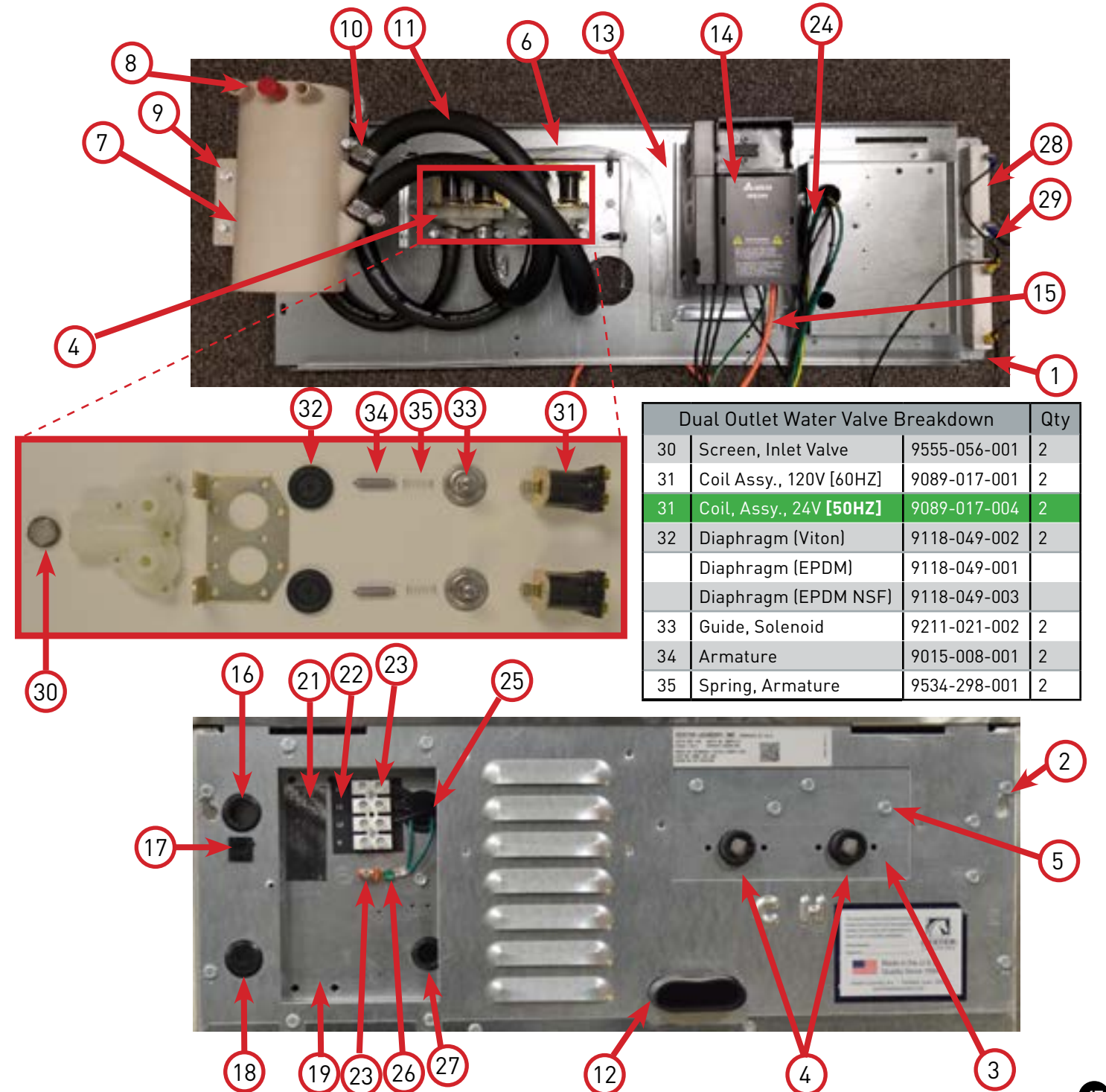
| Key | Description | T650 | T950 | T1450 | QTY |
|-----|----------------------------|--------------|--------------|--------------|-----|
| * | Panel Assy., Back, Upper | 9444-014-001 | 9454-905-001 | 9454-873-001 | 1 |
| * | Panel Assy., Back, Lower | 9444-013-001 | 9444-015-001 | 9454-872-001 | 1 |
| * | Screw Panel Mtg.#10Bx1/2" | 9545-008-026 | 9545-008-026 | 9545-008-026 | 13 |
| * | Nut, Spring | 8640-399-008 | 8640-399-008 | 8640-399-008 | AR |
| 28 | Screw, To Base-1/4" x 3/4" | 9545-030-002 | 9545-030-002 | 9545-030-002 | 3 |

Water Inlet & Rear Channel Parts Group

| Key | Description | T-650 | QTY |
|-----|---|--------------|-----|
| 1 | Rear Channel | 9947-032-001 | 1 |
| 2 | Screw, #10B x 1/2 | 9545-008-026 | 4 |
| * | Nut, Spring | 8640-399-007 | 4 |
| 3 | Mounting Plate Water Valves | 9452-813-001 | 1 |
| * | Nut-Elastic stop, #10-32 | 8640-413-002 | 2 |
| 4 | Valve, Water Inlet (dual outlet) [60HZ] | 9379-183-012 | 2 |
| 4 | Valve, Water Inlet (Dual Outlet) 50HZ ONLY | 9379-183-013 | 2 |
| 5 | Screw, Valve Mtg | 9545-008-026 | 4 |
| * | Wire-Assy, Jumper, Yellow | 8220-123-001 | 1 |
| 6 | Shield over Water Valves Plastic | 9550-194-001 | 1 |
| * | Push Clip | 9083-121-001 | 2 |
| 7 | Vacuum Breaker | 9610-001-001 | 1 |
| * | Bracket, Vacuum Breaker | 9029-077-001 | 1 |
| 8 | Vacuum Breaker Cap (Red) | 0935-135-002 | * |
| 9 | Screw, #10B x 1/2 | 9545-008-026 | 4 |
| 10 | Clamp, Hose to Vacume Braker | 8654-117-014 | 1 |
| * | Hose, Vacuum Breaker to Tub | 9242-458-003 | 1 |
| * | Clamp, Tub End | 8654-117-009 | 1 |
| 11 | Hose, Valve to Vac. Braker | 9242-453-020 | 4 |
| * | Hose, Cold, Vac. Brkr. dispenser | 9242-453-013 | 1 |
| * | Hose, Hot, Vac. Brkr. dispenser | 9242-453-007 | 1 |
| * | Clamp, Hose-Worm | 8654-117-015 | 12 |
| 12 | Hose, Overflow Suds | 9242-463-004 | 1 |
| * | Clamp, Hose-Spring (overflow to tub back) | 8654-117-018 | 2 |
| 13 | Plate Assembly, Drive Mounting | 9452-847-001 | 1 |
| * | Nut-#10-32UNF, 2B | 8640-413-002 | 4 |
| 14 | VFD Delta MS300 | 9375-035-031 | 1 |
| * | Key Pad-Display Delta MS300 | 9150-058-001 | 1 |
| 15 | Cable-Data, Communication | 9806-023-004 | 1 |
| 16 | Bushing, 7/8 | 9053-067-002 | 1 |
| 17 | Clip Strain Relif | 8618-037-001 | 1 |
| 18 | Plug, 7/8 | 9456-041-006 | 1 |
| 19 | Bracket, Terminal-Mounting | 9029-326-001 | 1 |
| 20 | Screw, #10-32 TTX 1/2 GRN | 9545-008-027 | 1 |
| 21 | Label-Warning | 8502-639-001 | 1 |
| 22 | Strip-Terminal Marker | 9558-025-001 | 1 |
| 23 | Terminal Block | 9897-033-002 | 1 |
| * | Screw-Phillips, 6ABx3/4 | 9545-031-010 | 2 |
| 24 | Harness-Power, Terminal Block | 9627-932-001 | 1 |
| 24 | Harness, Term Block, Non-Htd (50Hz Only) | 9628-001-001 | 1 |
| 25 | Bushing, 1" | 9053-067-004 | 1 |
| 26 | Terminal Lug, Solderless | 8652-134-001 | 1 |
| * | Lock-Washer Exttooth #10 | 8641-582-006 | 1 |

Water Inlet & Rear Channel Parts Group

| Key | Description | T-650 | QTY |
|-----|-----------------------------|--------------|-----|
| 27 | Bushing, 3/4 | 9053-067-001 | 1 |
| 28 | Braking resistors (200 ohm) | 9483-004-002 | 2 |
| * | Screw, #6-32x5/16 | 9545-044-006 | 4 |
| 29 | Wire Assy, Jumper | 8220-117-002 | 2 |
| * | Nut, #6-32 | 8640-411-003 | 4 |
| * | Control Covers | 9074-267-001 | 1 |
| * | Screw-#10Bx1/2 | 9545-008-026 | 1 |

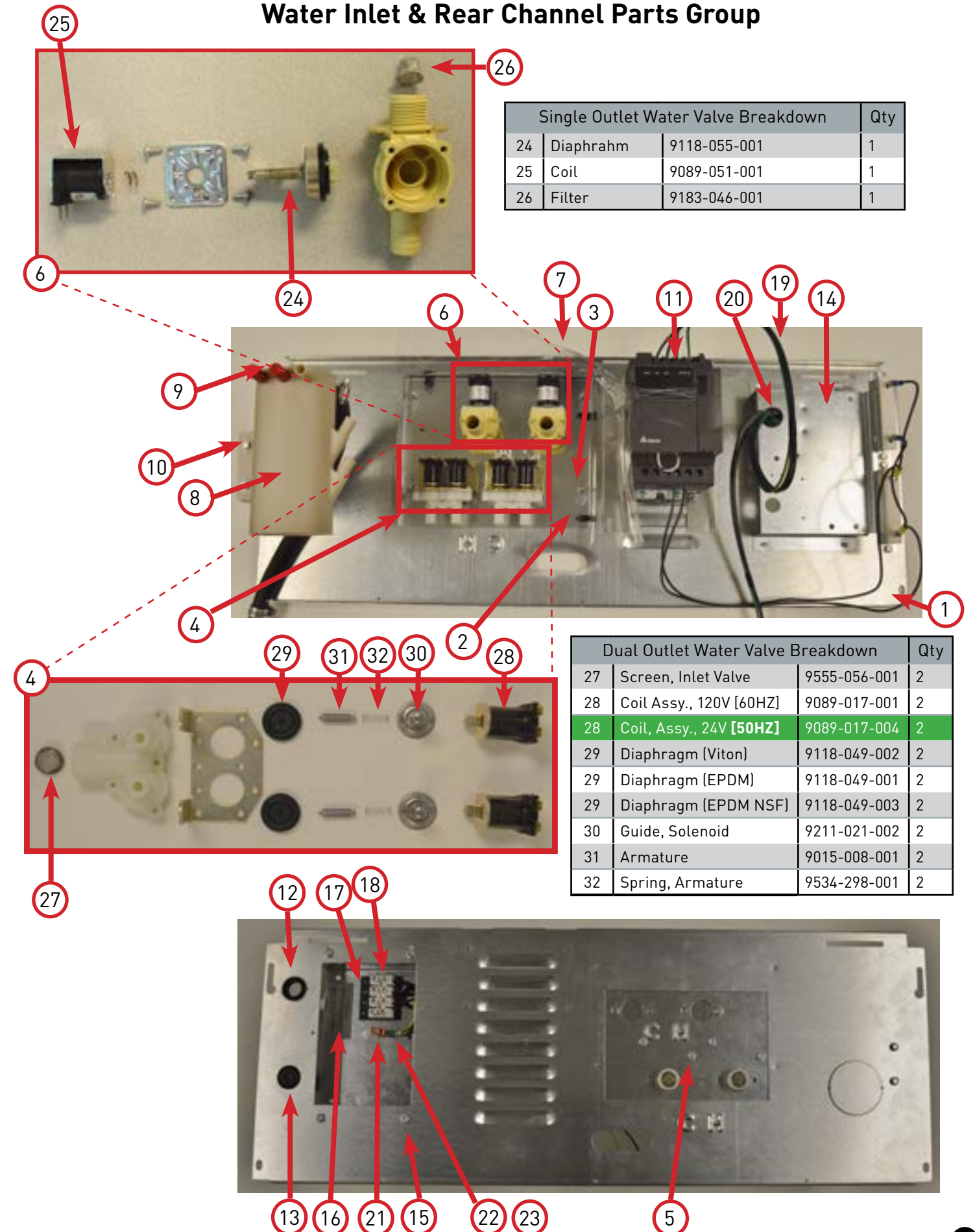


| Dual Outlet Water Valve Breakdown | | | Qty |
|-----------------------------------|----------------------------------|--------------|-----|
| 30 | Screen, Inlet Valve | 9555-056-001 | 2 |
| 31 | Coil Assy., 120V [60HZ] | 9089-017-001 | 2 |
| 31 | Coil, Assy., 24V [50HZ] | 9089-017-004 | 2 |
| 32 | Diaphragm (Viton) | 9118-049-002 | 2 |
| | Diaphragm (EPDM) | 9118-049-001 | |
| | Diaphragm (EPDM NSF) | 9118-049-003 | |
| 33 | Guide, Solenoid | 9211-021-002 | 2 |
| 34 | Armature | 9015-008-001 | 2 |
| 35 | Spring, Armature | 9534-298-001 | 2 |

Water Inlet & Rear Channel Parts Group

| Key | Description | T-950 | T-1450 | QTY |
|-----|---|--------------|--------------|-----|
| 1 | Rear Channel | 9947-028-001 | 9947-029-001 | 1 |
| * | Screw, #10B x 1/2 | 9545-008-026 | 9545-008-026 | 6 |
| * | Clip, Spring | 8640-399-004 | 8640-399-004 | 6 |
| 2 | Mounting Plate Water Valves | 9452-813-001 | 9452-813-001 | 1 |
| 3 | Nut-Elastic stop, #10-32 | 8640-413-002 | 8640-413-002 | 2 |
| 4 | Valve, Water Inlet (dual outlet) [60HZ] | 9379-183-012 | 9379-183-012 | 2 |
| 4 | Valve, Water Inlet (Dual Outlet) [50HZ] | 9379-183-013 | 9379-183-013 | 2 |
| 5 | Screw, Valve Mtg | 9545-008-026 | 9545-008-026 | 4 |
| 6 | Valve, Water Inlet (Single Outlet) [60HZ] | 9379-194-001 | 9379-194-001 | 2 |
| 6 | Valve, Water Inlet (Single Outlet) [50HZ] | 9379-194-003 | 9379-194-003 | 2 |
| * | Wire-Assy, Jumper, Yellow | 8220-123-001 | 8220-123-001 | 1 |
| 7 | Shield over Water Valves Plastic | 9550-195-001 | 9550-195-001 | 1 |
| * | Push Clip | 9083-121-001 | 9083-121-001 | 2 |
| 8 | Vacuum Breaker | 9610-001-001 | 9610-001-001 | 1 |
| * | Bracket, Vacuum Breaker | 9029-266-001 | 9029-077-001 | 1 |
| 9 | Vacuum Breaker Cap (Red) | 0935-135-002 | 0935-135-002 | * |
| 10 | Screw, #10B x 1/2 | 9545-008-026 | 9545-008-026 | 4 |
| * | Clamp, Hose to Vacume Braker | 8654-117-014 | 8654-117-014 | 1 |
| * | Hose, Vacuum Breaker to Tub | 9242-458-003 | 9242-458-003 | 1 |
| * | Clamp, Tub End | 8654-117-009 | 8654-117-009 | 1 |
| * | Hose, Valve to Vac. Braker | 9242-453-020 | 9242-453-020 | 4 |
| * | Clamp, Hose-Worm | 8654-117-015 | 8654-117-015 | 12 |
| * | Hose, Overflow Suds | 9242-463-004 | 9242-463-004 | 1 |
| * | Clamp, Hose-Spring (overflow to tubback) | 8654-117-018 | 8654-117-018 | 2 |
| * | Plate Assembly, Drive Mounting | 9452-847-001 | 9452-848-001 | 1 |
| * | Nut-#10-32UNF, 2B | 8640-413-002 | 8640-413-002 | 4 |
| 11 | VFD Delta MS300 | 9375-036-034 | 9375-037-009 | 1 |
| * | Key Pad-Display Delta MS300 | 9150-058-001 | 9150-058-001 | 1 |
| * | Cable-Data, Communication | 9806-023-003 | 9806-023-003 | 1 |
| 12 | Bushing, 7/8 | 9053-067-002 | 9053-067-002 | 1 |
| 13 | Plug, 7/8 | 9456-041-006 | 9456-041-006 | 1 |
| 14 | Bracket, Terminal-Mounting | 9029-326-001 | 9029-326-001 | 1 |
| 15 | Screw, #10-32 TTX 1/2 GRN | 9545-008-027 | 9545-008-027 | 1 |
| 16 | Label-Warning | 8502-639-001 | 8502-639-001 | 1 |
| 17 | Strip-Terminal Marker | 9558-025-001 | 9558-025-001 | 1 |
| 18 | Terminal Block | 9897-033-002 | 9897-033-002 | 1 |
| * | Screw-Phillips, 6ABx3/4 | 9545-031-010 | 9545-031-010 | 2 |
| 19 | Harness-Power, Terminal Block | 9627-932-001 | 9627-932-001 | 1 |
| 19 | Harness, Term Block, Non-Htd [50HZ] | 9628-001-001 | 9628-001-001 | 1 |
| 20 | Bushing, 1" | 9053-067-004 | 9053-067-004 | 1 |
| 21 | Terminal Lug, Solderless | 8652-134-001 | 8652-134-001 | 1 |
| 22 | Lock-Washer Exttooth #10 | 8641-582-006 | 8641-582-006 | 1 |
| 23 | Screw, #10-32 TTX 1/2 GRN | 9545-008-027 | 9545-008-027 | 1 |

Water Inlet & Rear Channel Parts Group

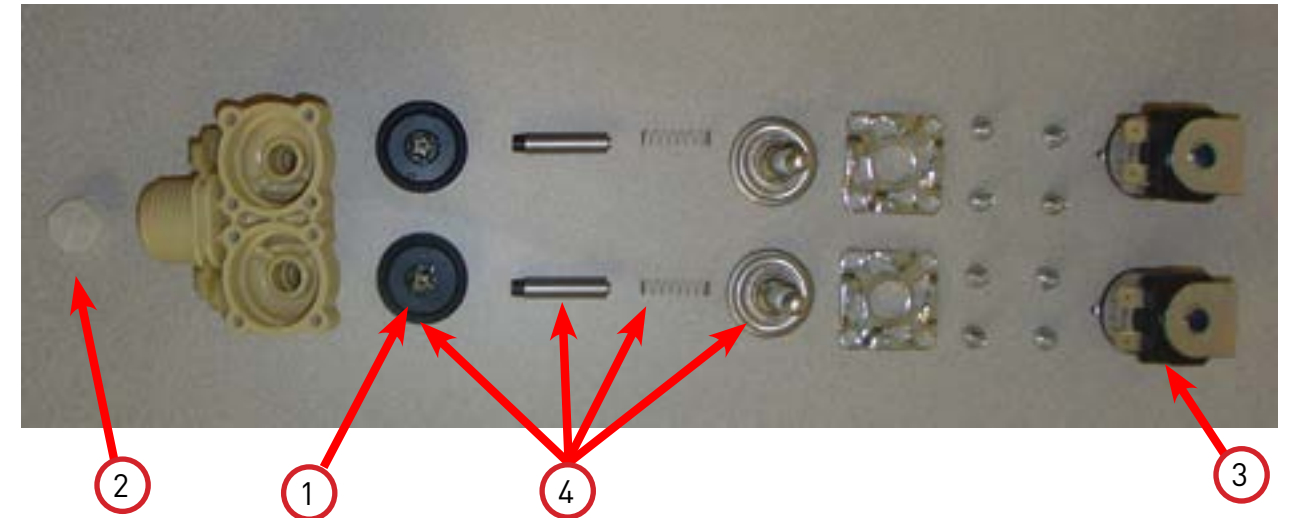


Water Inlet & Rear Channel Parts Group Continued...

| Key | Description | T-950 | T-1450 | QTY |
|-----|-----------------------------|--------------|--------------|-----|
| 33 | Braking resistors (160 ohm) | 9483-004-003 | 9483-004-003 | 2 |
| * | Screw, #6-32x5/16 | 9545-044-006 | 9545-044-006 | 4 |
| 34 | Wire Assy, Jumper | 8220-117-002 | 8220-117-002 | 2 |
| * | Nut, #6-32 | 8640-411-003 | 8640-411-003 | 4 |
| * | Control Covers | 9074-267-001 | 9074-267-001 | 1 |
| * | Screw-#10Bx1/2 | 9545-008-026 | 9545-008-026 | 1 |



Water Inlet & Rear Channel Parts Group Continued...



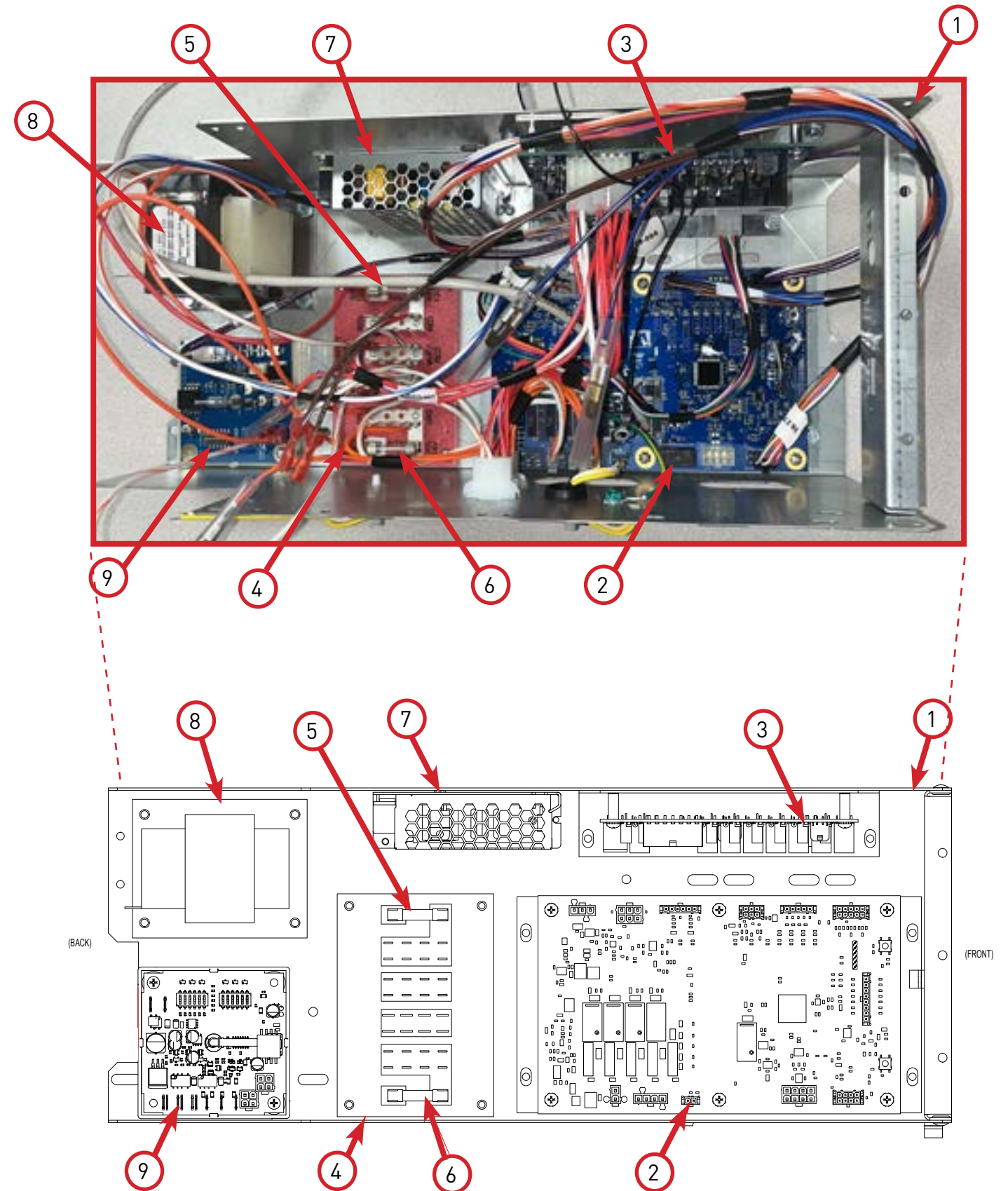
| Optional Water Valve Parts Breakdown | | | | | |
|--------------------------------------|-------------------------------------|--------------|--------------|--------------|-----|
| Key | Description | T-650 | T-950 | T-1450 | QTY |
| * | Dual Coil Water Valve Mueller | 9379-192-001 | 9379-192-001 | 9379-192-001 | 1 |
| 1 | Diaphragm Mueller | 9118-054-001 | 9118-054-001 | 9118-054-001 | 2 |
| 2 | Filter Mueller | 9183-046-001 | 9183-046-001 | 9183-046-001 | 2 |
| 3 | Coil Mueller | 9089-051-001 | 9089-051-001 | 9089-051-001 | 2 |
| 4 | Diaphragm Assembly Mueller Includes | 9785-001-001 | 9785-001-001 | 9785-001-001 | 2 |

| Description | T650 | T950 | T1450 |
|-------------------------------------|------|------|-------|
| 9242-453-009 Hose-water,23" 1/2 I.D | 1 | | 2 |
| 9242-453-018 Hose-water,29" 1/2 I.D | | | 1 |
| 9242-453-020 Hose-water,18" 1/2 I.D | 4 | 5 | 3 |
| 9242-453-021 Hose-water,31" 1/2 I.D | | 1 | |
| 9242-453-023 Hose-water,40" 1/2 I.D | | | 1 |
| 9242-453-024 Hose-water,37" 1/2 I.D | 2 | 1 | |
| 9242-453-025 Hose-water,19" 7/8 I.D | | 2 | |
| 9242-453-026 Hose-water,25" 7/8 I.D | | | 2 |
| 0935-135-002 Fill Cap, (Red) | | 3 | 3 |
| 8615-118-001 Fitting-Cross, 1/2" | | 1 | 1 |
| 8654-117-015 Clamp 1" SS | 14 | 14 | 14 |
| 8654-117-017 Clamp 1 1/4" SS | | 4 | 4 |

Electrical Components Parts Group

| Key | Description | T-650 | T-950 | T-1450 | QTY |
|-----|---|--------------|--------------|--------------|-----|
| * | Complete Control Trough Assembly | 9857-283-001 | 9857-285-001 | 9857-286-001 | 1 |
| 1 | Control Trough | 9575-045-001 | 9575-045-001 | 9575-045-001 | 1 |
| 2 | Control PCB Board | 9799-029-001 | 9799-029-001 | 9799-029-001 | 1 |
| 3 | Relay PCB Board | 9799-030-001 | 9799-030-001 | 9799-030-001 | 1 |
| 4 | Pwr. Dist. Terminal Block Assembly | 9897-044-001 | 9897-044-001 | 9897-044-001 | 1 |
| 5 | 1.5 Amp Fuse | 8636-018-001 | 8636-018-001 | 8636-018-001 | 1 |
| 6 | 2.0 Amp Fuse | 8636-018-005 | 8636-018-005 | 8636-018-005 | 1 |
| * | Screw-#8ABx1/2 | 9545-045-012 | 9545-045-012 | 9545-045-012 | 4 |
| 7 | Power Supply-12VDC | 9150-054-001 | 9150-054-001 | 9150-054-001 | 1 |
| * | Screw-6Bx3/8 | 9545-031-005 | 9545-031-005 | 9545-031-005 | 2 |
| 8 | Transformer | 8711-017-001 | 8711-017-001 | 8711-017-001 | 1 |
| * | Screw-#10Bx1/2 | 9545-008-026 | 9545-008-026 | 9545-008-026 | 4 |
| * | Lockwasher-Exttooth, #10 | 8641-582-006 | 8641-582-006 | 8641-582-006 | 4 |
| 9 | Water Pressure Sensor | 9474-013-001 | 9474-013-001 | 9474-013-001 | 1 |
| * | WPS Support | 9548-292-001 | 9548-292-001 | 9548-292-001 | 1 |
| 10 | Wiring Harness, Relay. 15-pin (60Hz Only) | 9628-023-001 | 9628-023-001 | 9628-023-001 | 1 |
| 10 | Wiring Harness, Relay, 15-Pin (50Hz Only) | 9628-028-001 | 9628-028-001 | 9628-028-001 | 1 |
| 11 | Data Cable Assembly | 9806-023-005 | 9806-023-005 | 9806-023-005 | 1 |
| 12 | Wiring Harness, Cntrol/Relay | 9627-921-001 | 9627-921-001 | 9627-921-001 | 1 |
| 13 | Wiring Harness, Power Supply | 9627-923-001 | 9627-923-001 | 9627-923-001 | 1 |
| 14 | Wire Assembly, ORG | 8220-062-052 | 8220-062-052 | 8220-062-052 | 1 |
| 15 | Wire Assembly, WHT/ORG | 8220-062-053 | 8220-062-053 | 8220-062-053 | 1 |
| * | Wiring Harness, Ctrl/Graphics | 9627-922-002 | 9627-922-002 | 9627-922-002 | 1 |
| * | Wiring Harness, Door/E-Stop | 9628-022-001 | 9628-022-001 | 9628-022-001 | 1 |
| * | Cable Clamp | 8654-125-005 | 8654-125-005 | 8654-125-005 | 1 |
| * | Screw-8Bx1/4 | 9545-045-001 | 9545-045-001 | 9545-045-001 | 1 |
| * | Wiring Harness, WPS | 9628-020-001 | 9628-020-001 | 9628-020-001 | 1 |
| * | Model ID Jumper Wire | 8220-158-025 | 8220-158-025 | 8220-158-025 | 1 |
| * | Relay Jumper Wire Assembly | 8220-159-006 | 8220-159-006 | 8220-159-006 | 1 |
| * | Screw-10-32TTx1/2GRN | 9545-008-027 | 9545-008-027 | 9545-008-027 | 2 |
| * | Wiring Harness, VFD Enable | 9628-021-001 | 9628-021-001 | 9628-021-001 | 1 |

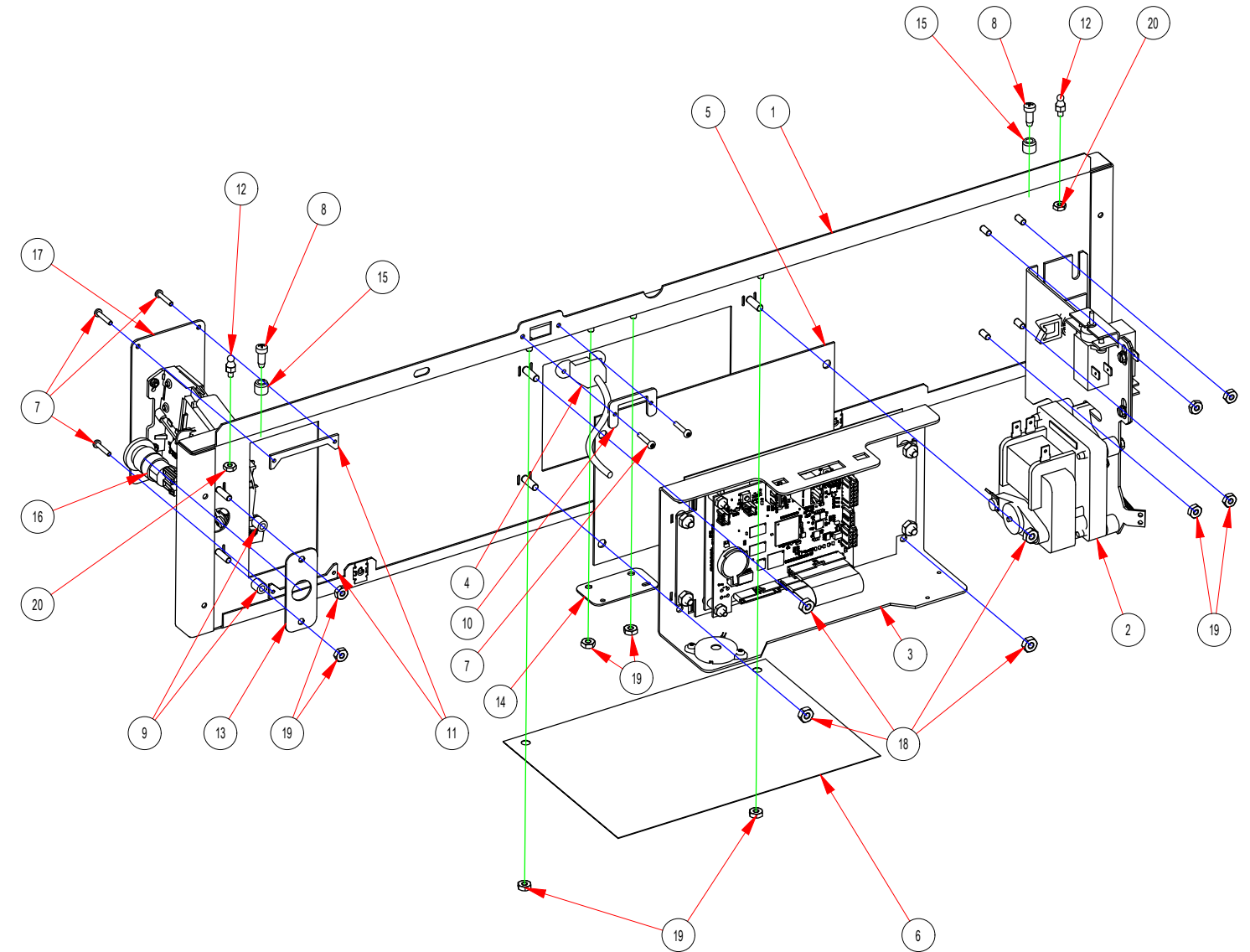
Electrical Components Parts Group



Control Panel Parts Group

| Key | Description | T-650 | T-950 | T-1450 | QTY |
|-----|--|---------------|---------------|---------------|-----|
| 1 | Control Panel | 9989-721-001 | 9989-722-001 | 9989-723-001 | 1 |
| 2 | Door Locking Actuator Assembly (60Hz Only) | 9892-015-003P | 9982-015-003 | 9982-015-003 | 1 |
| 2 | Door Lock Actuator Assembly (50Hz Only) | 9892-015-002P | 9892-015-002P | 9892-015-002P | 1 |
| 3 | Display Control Board Assembly | 9857-289-003 | 9857-289-003 | 9857-289-003 | 1 |
| 4 | USB Cable Assembly | 9806-022-001 | 9806-022-001 | 9806-022-001 | 1 |
| 5 | Display Protector Window | 9635-025-002 | 9635-025-002 | 9635-025-002 | 1 |
| 6 | PCB Plastic Shield | 9550-201-001 | 9550-201-001 | 9550-201-001 | 1 |
| 7 | Screw-PNHDTORX, 4Bx5/8,CHR | 9545-053-002P | 9545-053-002P | 9545-053-002P | 6 |
| 8 | Screw-FIHDCR,#10Bx5/16 | 9545-008-023P | 9545-008-023P | 9545-008-023P | 2 |
| 9 | Spacer, Plastic, #8x5/16 | 9538-157-020P | 9538-157-020P | 9538-157-020P | 2 |
| 10 | Retainer, USB | 9486-159-001 | 9486-159-001 | 9486-159-001 | 1 |
| 11 | Retainer, Dual Coin Acceptor | 9486-149-001P | 9486-149-001P | 9486-149-001P | 2 |
| 12 | Post, Top Locator | 9467-024-001 | 9467-024-001 | 9467-024-001 | 2 |
| 13 | Plate, Stop Button Mounting | 9452-725-001 | 9452-725-001 | 9452-725-001 | 1 |
| 14 | Plate, Top Latch | 9452-625-001 | 9452-625-001 | 9452-625-001 | 1 |
| 15 | Locator, Panel | 9355-001-001 | 9355-001-001 | 9355-001-001 | 2 |
| 16 | Button, E-Stop w/o Latching | 9035-061-001 | 9035-061-001 | 9035-061-001 | 1 |
| 17 | Coin Acceptor | 9021-099-001 | 9021-099-001 | 9021-077-001 | 1 |
| 18 | Nut-HEXKEPS, 10-32 | 8640-413-002P | 8640-413-002P | 8640-413-002P | 4 |
| 19 | Nut-NEXKEPS,#8-32 | 8640-412-005P | 8640-412-005P | 8640-412-005P | 10 |
| 20 | Nut, HEXKEPS,#6-32 | 8640-411-003P | 8640-411-003P | 8640-411-003P | 2 |
| 21 | Nameplate, Blue | 9412-266-002 | 9412-268-002 | 9412-269-002 | 1 |
| 21 | Nameplate, Black | 9412-266-001 | 9412-268-001 | 9412-269-001 | 1 |

Control Panel Parts Group



X-Series Accessories

WC1800__-__T__

| Key | Description | T-1800 | QTY |
|-----|---|----------------|-----|
| * | Hose, Water Supply 3/8" I.D. x 48" | 9990-027-011 | 2 |
| * | Hose, Water Supply 5/8" I.D. x 48" | 9990-027-013 | 2 |
| * | Washer, Inlet Hose (furnished) | 8641-242-000 | 2 |
| * | Strainer, Inlet Hose (furnished) | 9565-003-001 | 2 |
| * | Bevel Washer for 5/8" bolt used in installations using angle iron bases | 8641-586-002 | |
| * | Bevel Washer for 3/4" bolt used in installations using angle iron bases | 8641-586-003 | 4 |
| * | Sealing compound | 8538-151-001 | 1 |
| * | TORX#20 | 8545-051-002 | 1 |
| * | Special Tool For Removing Coin Acceptor Mounting Screws. (T-10 Torx) | 8545-051-003 | 1 |
| * | Flow Restrictors (in dispenser) | 9475-002-003 | 2 |
| * | Special Tool for adjusting spacing between outer tub front and cylinder front | 8545-056-001 | 1 |
| * | Clamps to hold tub front to outer tub when installing tub front | Vise Grip #11R | 1 |
| * | Coin Bearing & Seal Kit | 9732-219-009 | 1 |
| | Key Service Lock (6324) | 6292-006-007 | 1 |
| * | MS300 Display | 9150-058-001 | 1 |



DEXTER
LAUNDRY



Section 3: Touch Series Vended T-1800 Washer Non-Express (100G) Parts Data

Kits, Assemblies, and Common Parts

| Coin Acceptor Components | Part Number |
|---|---------------|
| Electronic Coin Acceptor | 9021-077-001 |
| Retainer, Coin Acceptor | 9486-149-001 |
| Coin Drop Screws | 9545-053-002 |
| Loading Door & Door Lock Components | Part Number |
| Door Glass Gasket (Standard Door) | 9206-419-001 |
| Door Glass Gasket (Small Door) | 9206-411-002 |
| Kit - Door Gasket Expander Kit (Small) | 9732-139-001 |
| Kit - Door Gasket Expander Kit (Large) | 9732-139-002 |
| Door Handle Only (Large) | 9244-091-001 |
| Door Close Switch | 9539-492-001 |
| Door Lock Gear Motor Assembly (60Hz Only) | 9892-015-003 |
| Door Lock Gear Motor Assembly 24V (50Hz Only) | 9892-015-002 |
| Door Latching Assembly | 9885-031-001P |
| Electrical Components | Part Number |
| Transformer, Control (60Hz Only) | 8711-017-001 |
| Transformer, Control (50Hz Only) | 8711-004-004 |
| Main Control Board | 9799-029-001P |
| Water Pressure Sensor | 9474-013-001 |
| VFD & Braking Resistors Components | Part Number |
| Braking Resistor 200 Ohms | 9483-004-002 |
| Data Cable | 9806-023-003 |
| MS 300 VFD Display | 9150-058-001 |
| Drain & Water Valve Components | Part Number |
| Kit - 3" Drain Valve Seal Replacement | 9732-327-001 |
| Drain Valve 3" (T-450) (60Hz Only) | 9379-202-001 |
| Drain Valve 3" 24V (T-450) (50Hz Only) | 9379-202-002 |
| Water Valve (Dual) (60Hz Only) | 9379-183-012 |
| Water Valve (Dual) (50Hz Only) | 9379-183-013 |
| Diaphragm (Dual) | 9118-049-003 |
| Water Valve (Single) (60Hz Only) | 9379-194-001 |
| Water Valve (Single) (50Hz Only) | 9379-193-001 |
| Diaphragm (Single) | 9118-055-001 |
| Cabinet Components | Part Number |
| Front Panel Screw | 9545-008-014 |
| Front Panel Finisher Washer | 8641-585-001 |
| Front Panel Spring Nut | 8640-442-001 |
| 5/16 Hex Screw, Common | 9545-008-026 |
| Top Lock Key #6324 | 6292-006-007 |
| Cylinder Plug (1.5" Plastic) | 9456-041-007 |

Wiring Harnesses

| Description | T-1800 | QTY |
|--|--------------|-----|
| Wiring Harness, Coin Vault Switch | 9628-025-001 | 1 |
| Wiring Harness, Door Lock | 9627-936-004 | 1 |
| Wire Assembly, WHT/RED, Water Valve | 8220-119-003 | 1 |
| Data Cable Assembly | 9806-023-005 | 1 |
| Wiring Harness, Ctrl/Graphics | 9627-922-002 | 1 |
| Wiring Harness, Relay, 15-pin | 9628-023-001 | 1 |
| Model ID Jumper Wire | 8220-158-031 | 1 |
| Wiring Harness, Door/E-Stop | 9628-022-001 | 1 |
| Wiring Harness, Control/Relay | 9627-921-001 | 1 |
| Relay Jumper Wire | 8220-159-006 | 1 |
| Wiring Harness, WPS | 9628-020-001 | 1 |
| Wire Assembly, ORG | 8220-062-052 | 1 |
| Wire Assembly, WHT/ORG | 8220-062-053 | 1 |
| Wiring Harness, Power Supply | 9627-923-001 | 1 |
| Wiring Harness, VFD Enable | 9628-021-001 | 1 |
| Wiring Harness, 15-pin, Non-Inj | 9627-934-001 | 1 |
| Wiring Harness, Payment, Programmable Acpt | 9628-024-001 | 1 |
| USB Cable Assembly | 9806-022-001 | 1 |
| Wiring Harness, Pwr Term. Block | 9627-932-004 | 1 |
| Wiring Label, Diagram/Informative | 9507-097-001 | 1 |
| Wiring Label, Schematic | 9508-097-001 | 1 |
| Black Wire Assembly, Braking Resistors | 8220-117-002 | 2 |
| Blue Wire Assembly - Door Switch | 8220-063-051 | 1 |
| Blue/Wht Wire Assembly - Door Switch | 8220-063-052 | 1 |

50Hz Wiring Harnesses Only

| Description | T-1800 | QTY |
|--|--------------|-----|
| Wiring Harness, Pwr Term Block, Non-Htd | 9628-001-001 | 1 |
| Wiring Harness, 15-pin, Valves | 9628-004-001 | 1 |
| Wiring Harness, Relay, 15-pin | 9628-028-001 | 1 |
| Wiring Harness, Payment, Programmable Acpt | 9628-024-001 | 1 |
| Jumper Wire Assembly, WHT/ORG, Water Valve | 8220-119-004 | 1 |
| Wiring Label, Diagram | 9507-103-001 | 1 |
| Wiring Label, Schematic | 9508-103-001 | 1 |

Cabinet & Front Panel Parts Group

| Key | Description | T-1800 | QTY |
|-----|--|--------------|-----|
| 1 | Panel, Right Side-stainless | 9989-702-001 | 1 |
| * | Panel, Left Side - stainless | 9989-702-002 | 1 |
| * | Screw | 9545-018-013 | 4 |
| * | Nut, Hex 1/4-20 UNC | 8640-414-006 | 8 |
| * | Bracket, Side Panel under front panel | 9046-086-001 | 1 |
| * | Screw, #10B x 1/2 | 9545-008-026 | 1 |
| 2 | Panel, Control (Mounts Nameplate) | 9989-703-011 | 1 |
| * | Screw, Control Panel to Sides | 9545-008-026 | 4 |
| 3 | Nameplate Decal, Control Panel (Blue) | 9412-270-002 | 1 |
| 3 | Nameplate Decal, Control Panel (Black) | 9412-270-001 | 1 |
| * | Stop Button Mounting Plate | 9452-725-001 | 1 |
| 4 | Emergency Stop Button | 9035-061-001 | 1 |
| * | Emergency Stop Switch | 9539-496-001 | 1 |
| 5 | Acceptor, Coin-Electronic | 9021-077-001 | 1 |
| * | Retainer-Dual coin Acceptor | 9486-149-001 | 2 |
| * | Screws, Coin Acceptor | 9545-053-002 | 4 |
| 6 | Front Panel | 9444-054-001 | 1 |
| * | Nut, Hex (to tub front) | 8640-414-003 | 1 |
| * | Door Close Switch | 9539-492-001 | 1 |
| * | Screw, Hex- To Control Panel | 9545-008-026 | 2 |
| * | Nut, Expansion- To Control Panel | 8640-442-001 | 2 |
| 7 | Screw, Flat Head- Front to Sides | 9545-008-026 | 4 |
| 8 | Washer, Finish | 8641-585-001 | 4 |
| * | Nut, Expansion-To Front Panel | 8640-442-001 | 4 |
| 9 | Label, Door Opening-Blue | 8502-757-002 | 1 |
| 9 | Label, Door Opening-Black | 8502-757-001 | 1 |
| 10 | Label, Warning Risk of Injury-Blue | 8502-759-002 | 1 |
| 10 | Label, Warning Risk of Injury-Black | 8502-759-001 | 1 |
| 11 | Bumper-Loading door | 9051-055-001 | 1 |
| * | Nut, 1/4-20 UNC, 2B | 8640-414-003 | 1 |
| 12 | Door, Lower Service (includes handle & Rivits) | 9960-286-005 | 1 |
| 13 | Handle (bumper guard) | 9244-086-004 | 1 |
| * | Rivet | 9491-009-003 | 4 |
| 14 | Screw Mtg., Flat Head | 9545-008-014 | 2 |
| 15 | Washer, Finish | 8641-585-001 | 2 |
| * | Nut, Expansion | 8640-442-001 | 2 |

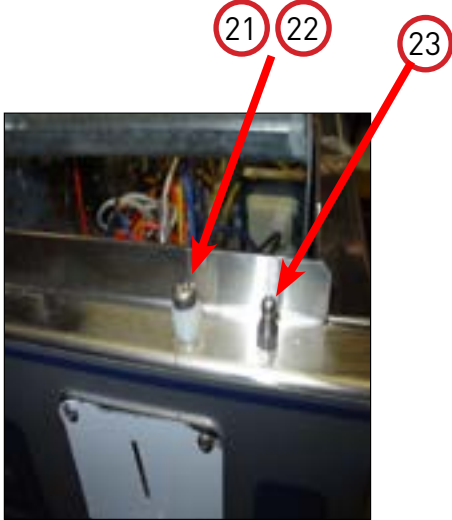
Cabinet & Front Panel Parts Group



Cabinet & Front Panel Parts Group Continued

| Key | Description | T-1800 | QTY |
|-----|--------------------------------------|--------------|-----|
| 19 | Panel Top, Assembly (includes catch) | 9989-701-001 | 1 |
| 20 | Lock, Top (w/Key) | 8650-012-003 | 1 |
| * | Lock Spacer | 9538-189-001 | * |
| * | Key, Top- # 6324 | 6292-006-007 | 1 |
| * | Cam, Lock-Top | 9095-049-001 | 1 |
| * | Nut, 9/32 - 28 Hex | 8640-426-001 | 1 |
| * | Washer Flat 5/16 | 8641-581-008 | 1 |
| 21 | Screw, Locator | 9545-008-023 | 1 |
| 22 | Plastic Sleeve, Locator | 9355-001-001 | 2 |
| 23 | Locator Post | 9467-024-001 | 2 |
| * | Nut, Locator Post | 8640-411-003 | 2 |
| 24 | Complete Soap Box Assembly with Lid | 9807-103-001 | 1 |
| * | Soap Box Gasket | 9206-425-001 | 1 |
| * | Soap Box Lid Assembly | 9987-104-001 | 1 |
| * | Soap Box Screws | 9545-012-017 | 2 |
| * | Soap Boc Softener Tube | 9574-252-002 | 1 |
| * | Nut-Hex, #10-32 | 8640-413-004 | 6 |
| * | Spacer-Plastic | 9538-157-026 | 6 |
| * | Soap Box Mounting Bracket | 9029-122-002 | 1 |
| * | Flow Restrictor | 9475-002-003 | 1 |
| * | Hose Clamp, 1in | 8654-117-015 | 2 |
| * | Clamp-Hose | 8654-117-017 | 2 |

Cabinet & Front Panel Parts Group Continued

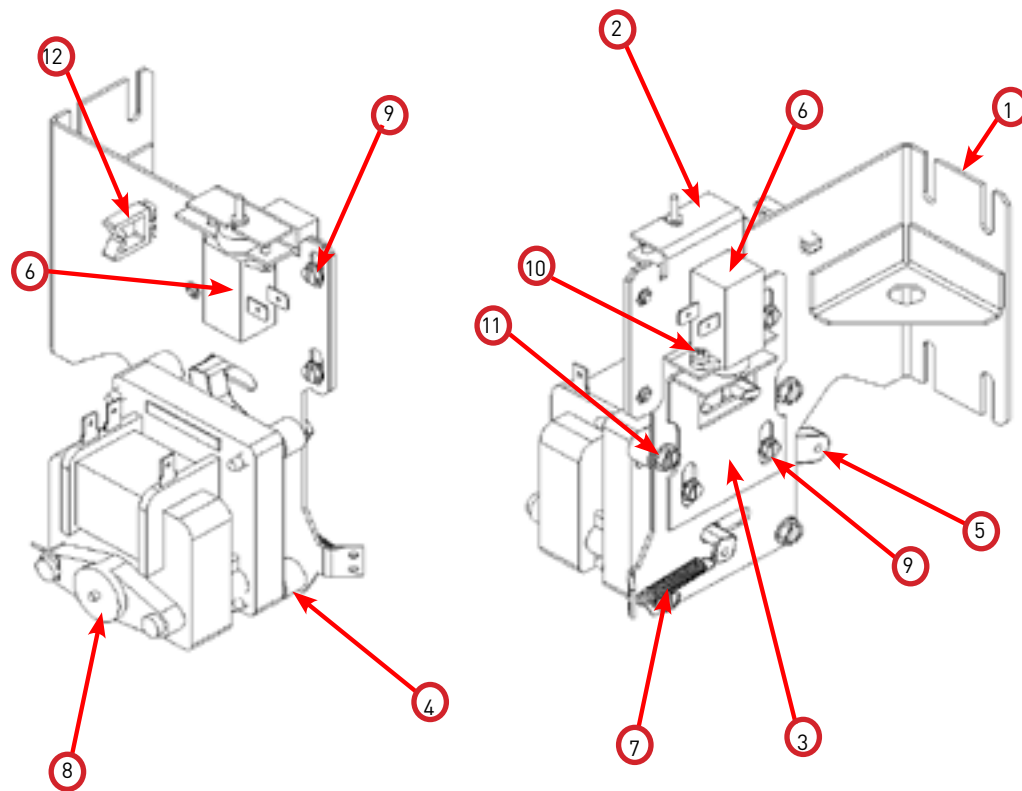


Door Lock Gear Motor Parts Group

| Key | Description | T-1800 | QTY |
|-----|---|--------------|-----|
| * | Actuator Assembly (Includes 1-12, Rod NOT included) (60Hz Only) | 9892-015-003 | 1 |
| 1 | Bracket Assy, Slide Lock Actuator | 9985-190-001 | 1 |
| 2 | Bracket Assy, Slide - Unlock | 9985-189-001 | 1 |
| 3 | Bracket Slide Lock | 9029-204-001 | 1 |
| 4 | Spacer, Plastic | 9538-157-021 | 4 |
| 5 | Arm - Door Lock | 9001-063-001 | 1 |
| 6 | Thermoactuator-Door Lock Rel 120v (60Hz Only) | 9586-001-003 | 2 |
| 7 | Spring - Extension | 9534-350-001 | 1 |
| 8 | Motor & Gear Assembly 120v (60Hz Only) | 9914-137-015 | 1 |
| 9 | Screw -Hxwshrdslsems, 6-32 x 3/16 | 9545-044-003 | 6 |
| 10 | Cross Recessed PAn Hd Tapping screw | 9545-031-011 | 4 |
| 11 | Screw - hxwshdsl, 10-24 - 1.25f, ctd (60Hz) | 9545-046-007 | 4 |
| 12 | Standoff-Wire | 9527-007-001 | 1 |
| * | Rod, Door Lock | 9497-225-011 | 1 |
| * | Harness, Door Lock | 9627-936-002 | 1 |

50Hz Chassis & Drain Parts Group Only

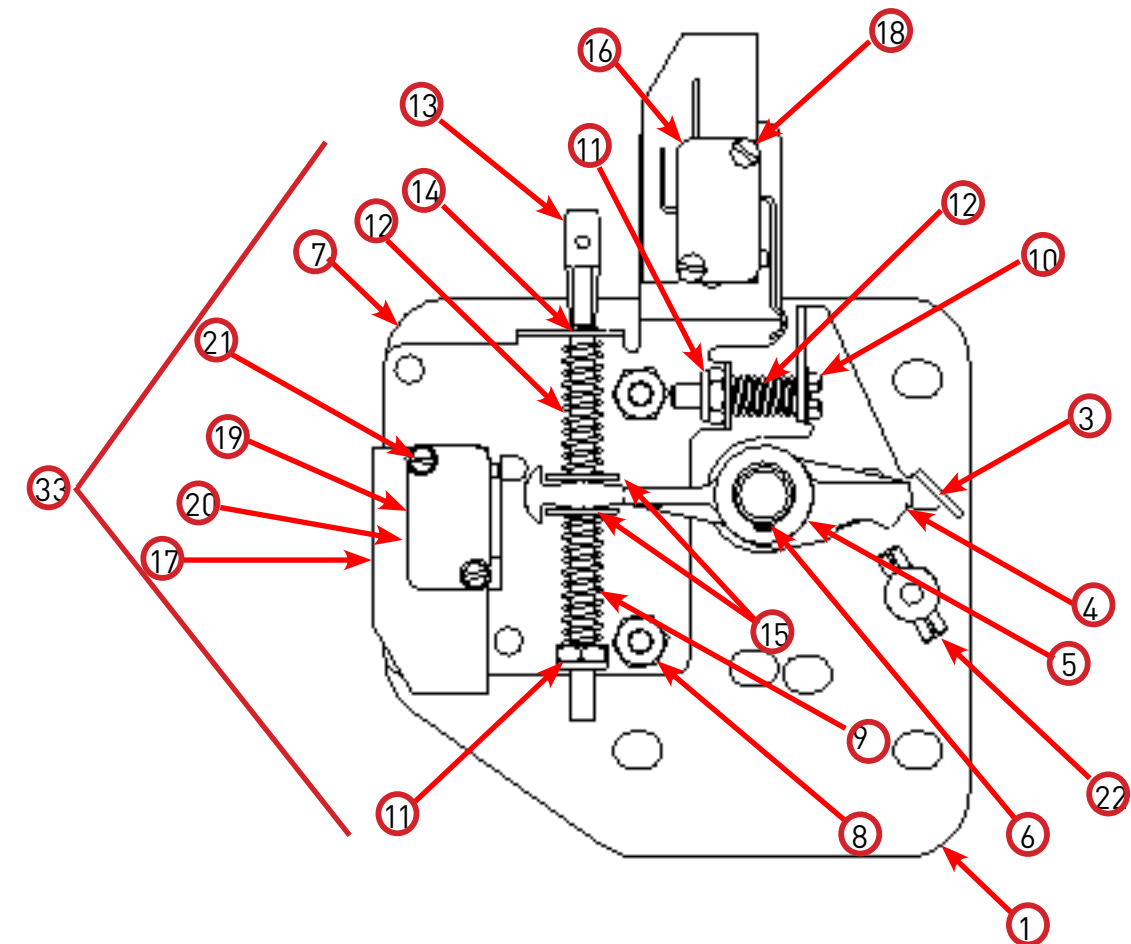
| Key | Description | T-1800 | QTY |
|-----|--------------------------------------|--------------|-----|
| * | Actuator Assembly (Rod NOT included) | 9892-015-002 | 1 |
| 6 | Thermoactuator-Door Lock Relay 24V | 9586-001-003 | 2 |
| 8 | Motor & Gear Assembly 24V | 9914-137-014 | 1 |
| 11 | Screw Pnhdcr, 10-32 UNFx0.75 | 9545-012-027 | 4 |



Door Lock Latching Assembly Parts Group

| Key | Description | All Models | QTY |
|-----|--|--------------|-----|
| 33 | Latching Assy, Complete (includes #1 thru #22) | 9885-031-001 | 1 |
| 1 | Plate Assy, Door Lock | 9982-346-001 | 1 |
| 2 | Washer, Flat (SS or Brass) | 8641-581-030 | 1 |
| 3 | Actuator, Latching Switch | 9008-005-001 | 1 |
| 4 | Pawl, Locking | 9732-346-002 | 1 |
| 5 | Washer, Spring | 8641-569-003 | 1 |
| 6 | Ring, Retaining | 9487-200-004 | 1 |
| 7 | Bracket Switch | 9029-163-001 | 1 |
| 8 | Nut, Hex 10-32 UNF | 8640-413-002 | 2 |
| 9 | Spring, Actuating | 9534-364-002 | 1 |
| 10 | Screw, Hx. 10-32 x 1" | 9545-012-020 | 1 |
| 11 | Nut, Elastic Stop 10-32 | 8640-413-004 | 2 |
| 12 | Spring, Return | 9534-364-001 | 2 |
| 13 | Pin, Guide | 9451-193-001 | 1 |

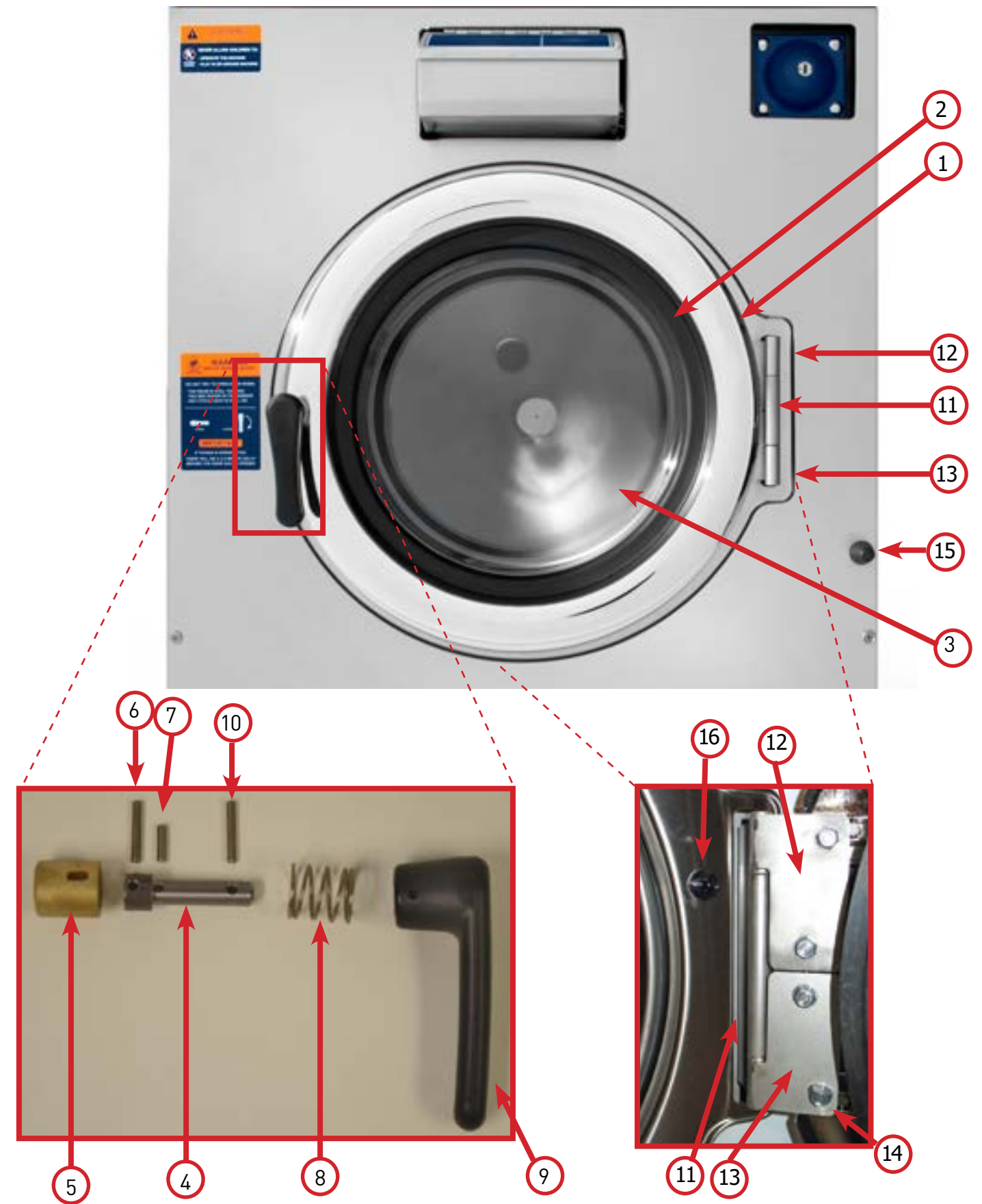
| Key | Description | All Models | QTY |
|-----|--------------------------------|--------------|-----|
| 14 | Ring, Retaining | 9487-200-005 | 1 |
| 15 | Washer | 8641-581-031 | 1 |
| 16 | Switch, Latching Sensing | 9539-461-008 | 1 |
| 17 | Shield, Switch | 9550-169-003 | 3 |
| 18 | Screw 4-40 x 5/8" | 9545-020-001 | 2 |
| 18 | Nut, Twin 4-40 | 8640-401-001 | 1 |
| 19 | Switch, Locking Sensing | 9539-461-007 | 2 |
| 20 | Actuator, Switch Locking | 9008-006-003 | 1 |
| 21 | Screw 4-40 x 1 1/8" | 9545-020-003 | 2 |
| 21 | Nut, Twin 4-40 | 8640-401-001 | 1 |
| * | Spacer Sensor | 9538-182-001 | * |
| 22 | Pin, Dowel (for door cam) | 9451-181-004 | 1 |
| * | Shim, Door Lock, Thin | 9552-037-001 | AR |
| * | Screw, Lock mtg 1/4"-20 x 3/4" | 9545-018-014 | 3 |
| * | Lockwasher 1/4" Ext tooth | 8641-582-007 | 3 |
| * | Door Stud Pin, 3/16" x 3/4" | 9451-181-004 | 1 |



Loading Door Parts Group

| Key | Description | T-1800 | QTY |
|-----|---|--------------|-----|
| * | Complete Door Assembly (Includes #1-10) | 9960-310-001 | 1 |
| 1 | Ring, Loading Door | 9487-275-001 | 1 |
| 2 | Gasket, Loading Door | 9206-431-001 | 1 |
| 3 | Window, Loading Door | 9635-020-001 | 1 |
| * | Shaft Assembly (Includes #4-7) | 9913-136-001 | 1 |
| 4 | Shaft, Door Locking | 9537-195-002 | 1 |
| 5 | Cam, Locking | 9095-051-001 | 1 |
| 6 | Pin, Groove (1 1/4) | 9451-181-005 | 1 |
| 7 | Pin, Groove (3/4) | 9451-181-004 | 1 |
| 8 | Spring, Lock Cam | 9534-360-002 | 1 |
| 9 | Handle, Door | 9244-091-001 | 1 |
| 10 | Pin, Groove (Door Handle) | 9451-181-005 | 1 |
| 11 | Door Hinge Assembly (Mounts to Tub Front) | 9955-031-001 | 1 |
| * | Shim, Thin (Loading Door Hinge) | 9552-043-001 | 3 |
| * | Screw, Loading Door Hinge Mtg (5/16" x9/16" ss) | 9545-014-009 | 3 |
| * | Lockwasher, 5/16 | 8641-582-009 | 3 |
| 12 | Leaf Assembly, Hinge-Top | 9845-006-001 | 1 |
| 13 | Leaf Assembly, Hinge-Bottom | 9845-007-001 | 1 |
| 14 | Thrd Form Screw, Door Mtg 5/16" x 5/8" | 9545-056-002 | 4 |
| 15 | Bumper, Loading Door | 9051-055-001 | 1 |
| 16 | Door Close Switch (Plunger) | 9539-492-001 | 1 |

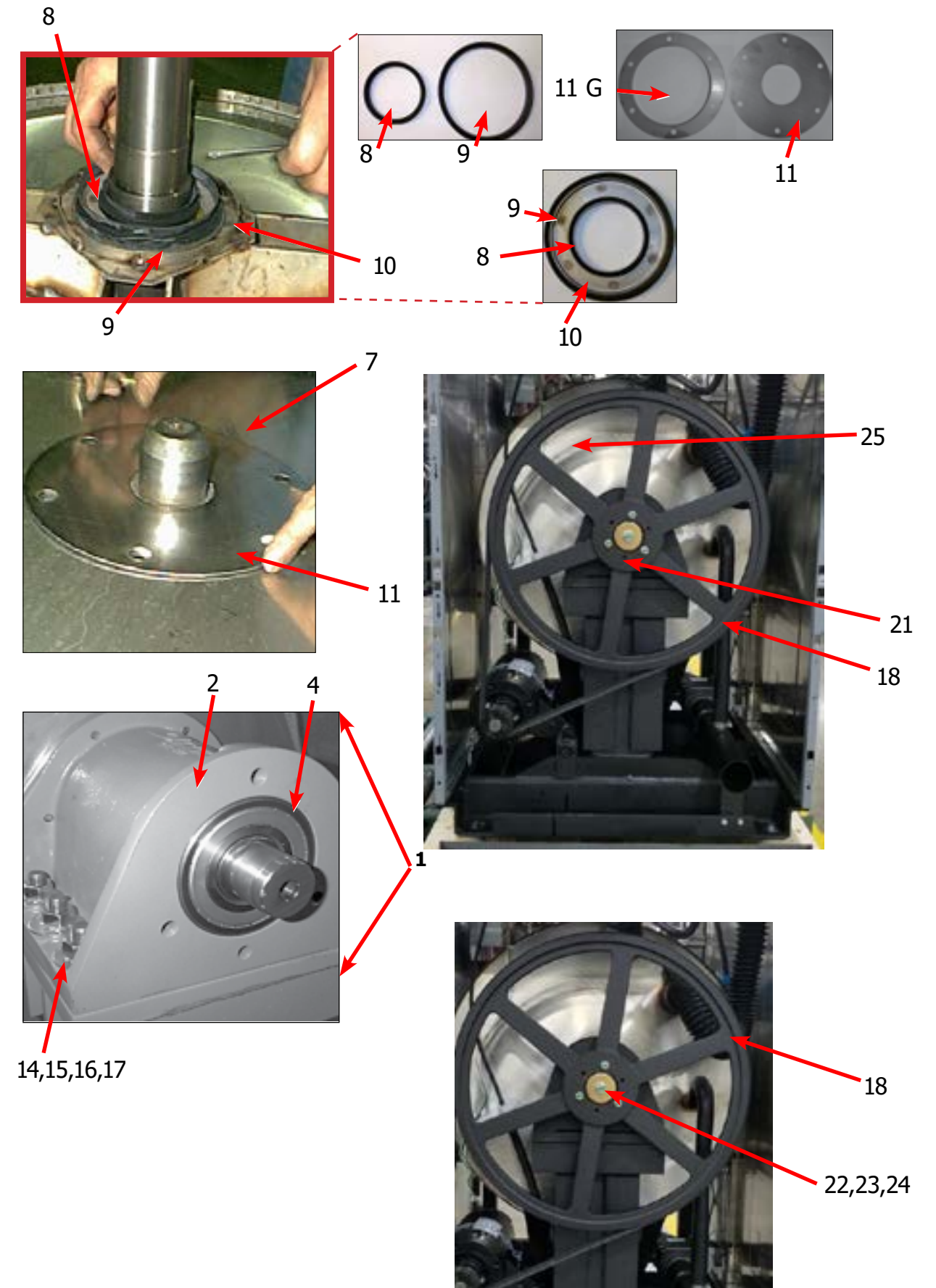
Loading Door Parts Group



Cylinder, Seals, & Bearings Parts Group

| Key | Description | T-1800 | QTY |
|-----|--|--------------|-----|
| * | Bearings and Seal Kit | 9732-219-009 | 1 |
| * | Housing, Bearing- Assembly (items #2-#6) | 9803-209-001 | 1 |
| 2 | Housing, Bearing | 9241-195-003 | 1 |
| 3 | Bearing, Front (Small) | 9036-162-002 | 1 |
| 4 | Bearing, Rear (Large) | 9036-162-001 | 1 |
| 5 | Spacer, Bearing | 9538-185-001 | 1 |
| 6 | Ring, Bearing Retainer | 9487-238-004 | 1 |
| 8 | Seal, Small V95A | 9532-140-012 | 1 |
| 9 | Seal, Large V140A | 9532-140-008 | 1 |
| 10 | Ring, Seal Mounting | 9950-062-001 | 1 |
| 11 | Tub Back Mating Ring | 9487-261-005 | 1 |
| 11G | Mating Ring Guard Shield | 9487-276-001 | 1 |
| 12 | Bolt, Tub End of Bearing Housing (7/16-14x1), Bolt from inside Tub | 9545-059-004 | 6 |
| 13 | Washer, Flat | 8641-581-034 | 6 |
| 14 | Screw-Hex Cap, 7/8"-9 x 3 1/2" (Bearing Housing to Frame) | 9545-066-001 | 6 |
| 15 | Washers Spherical 7/8" (Male half) (Bearing Housing to Frame) | 8641-588-003 | 6 |
| 16 | Washers Spherical 7/8" (Female half) (Bearing Housing to Frame) | 8641-588-004 | 6 |
| 17 | Nut 7/8"-9 (Bearing Housing to Frame) | 8640-437-001 | 6 |
| 18 | Pulley, Driven | 9453-176-006 | 1 |
| 19 | Bolt, 3/8"-16 x 2" | 9545-029-011 | 3 |
| 20 | Washer, 3/8" | 8641-582-003 | 3 |
| 21 | Bushing Taperlock (Driven & Large) | 9053-078-002 | 1 |
| 22 | Washer-Flat .675x2-1/2x1/4 | 8641-581-044 | 1 |
| 23 | Lockwasher-Exttooth, 3/4 | 8641-582-020 | 1 |
| 24 | Bolt, 3/4-10x1 1/2 | 9545-057-004 | 1 |
| 25 | Tub & Cylinder Assy | 9869-046-001 | 1 |
| * | Cylinder Assy | 9848-170-001 | 1 |
| * | Tub Front | 9974-012-001 | 1 |
| * | Gasket, Tub Front | 9206-421-003 | 1 |
| * | Ring Assy, Tub Mtg-Front Clamp | 9950-061-001 | 1 |
| * | Bolt, Top Front Ring 3/8"-16 x 3" | 9545-029-009 | 1 |
| * | Nut C Series 3/8"-16 | 8640-415-001 | 1 |

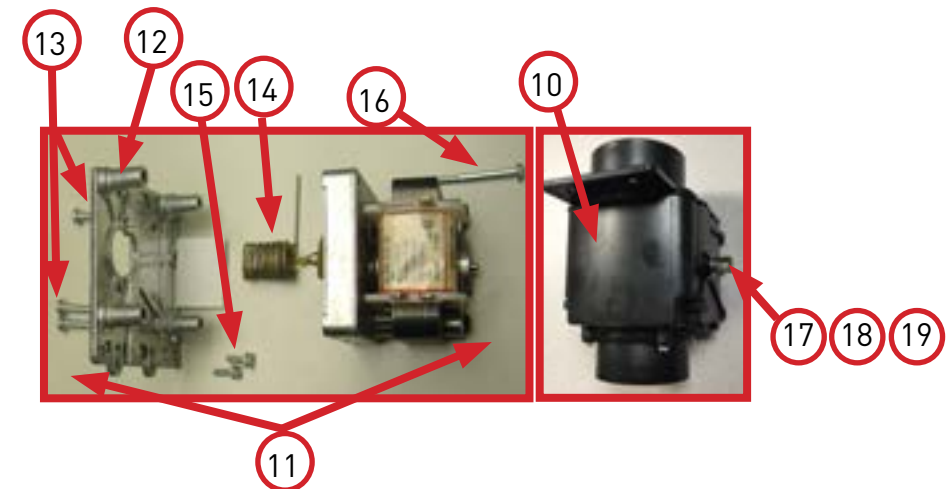
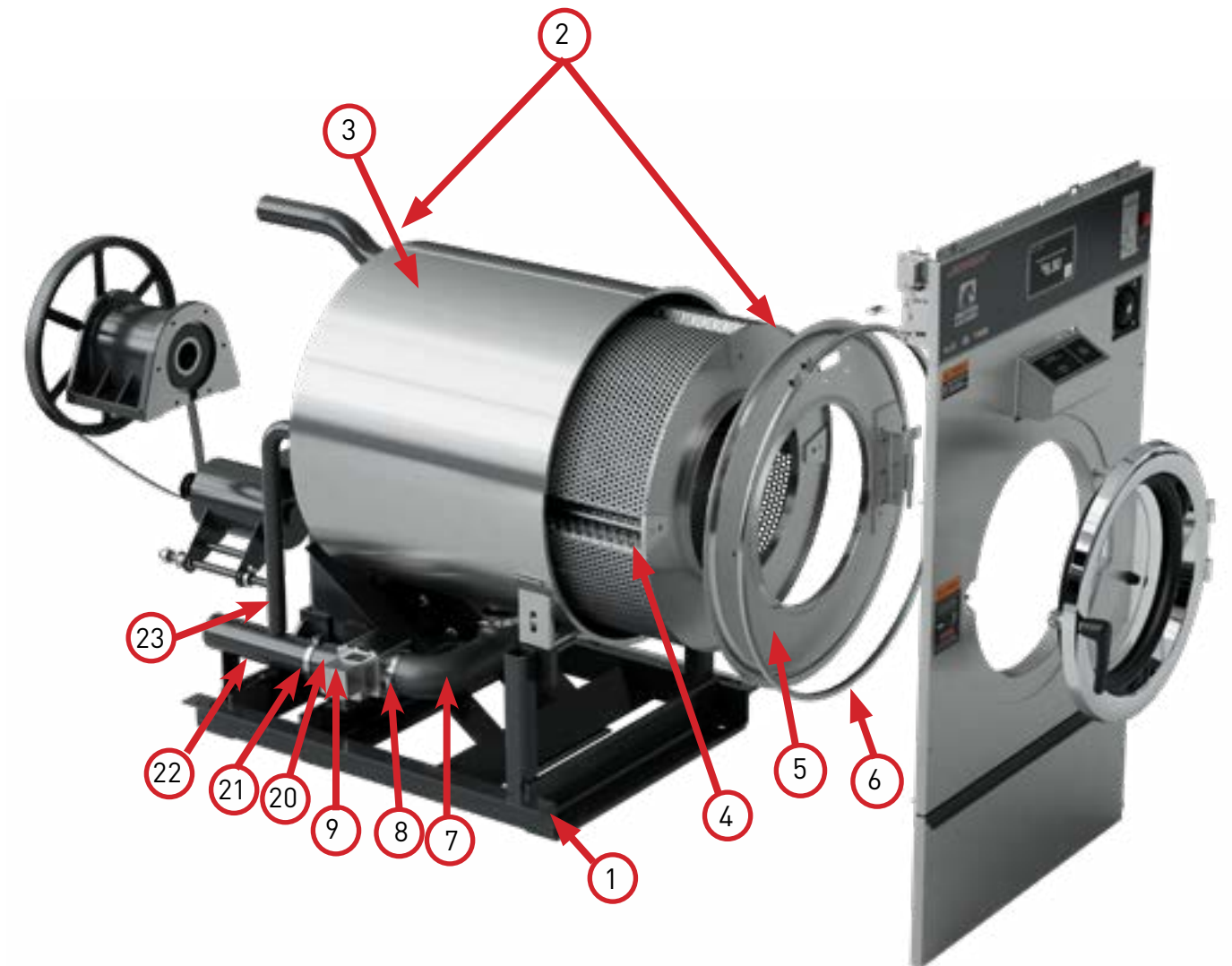
Cylinder, Seals, & Bearings Parts Group



Chassis & Drain Parts Group

| Key | Description | T-1800 | QTY |
|-----|---|--------------|-----|
| 1 | Base Frame Assembly | 9945-158-002 | 1 |
| 2 | Complete Tub and Cylinder Assembly | 9869-046-001 | 1 |
| 3 | Tub Assembly | 9930-187-001 | 1 |
| 4 | Cylinder Assembly | 9848-170-001 | 1 |
| 5 | Tub Front | 9974-020-001 | 1 |
| * | Gasket, Tub Front | 9206-421-003 | 1 |
| 6 | Ring Assy, Tub Mtg-Front Clamp | 9950-061-001 | 1 |
| * | Bolt, Top Front Ring 3/8"-16 x 3 1/2" | 9545-029-009 | 1 |
| * | Nut 3/8"-16 | 8640-415-001 | 1 |
| 7 | Hose, Tub to Drain Valve | 9242-457-002 | 1 |
| 8 | Hose Clamp (Tub to Drain Valve) | 8654-117-014 | 2 |
| 9 | Drain Valve (60Hz Only) (Includes #12-21) | 9379-202-001 | 1 |
| 9 | Drain Valve (50Hz Only) | 9379-202-002 | 1 |
| 10 | Body, Valve (w/ Ball) | 9064-072-001 | 1 |
| 11 | Motor & Gear Train (Complete) (60Hz Only) | 9914-137-023 | 1 |
| 11 | Motor & Gear Train (Complete) (50Hz Only) | 9914-137-022 | 1 |
| 12 | Plate, Motor Mtg. | 9452-538-001 | 1 |
| 13 | Screw, Mtg. | 8639-994-001 | 4 |
| 14 | Spring, Drive | 9534-339-001 | 1 |
| 15 | Screw | 9545-054-001 | 2 |
| 16 | Screw | 9545-054-002 | 1 |
| 17 | Seal, V Packer | 9532-134-001 | 1 |
| 18 | Washer | 8641-584-001 | 1 |
| 19 | Pin, Main Drive | 9451-196-001 | 1 |
| * | Plate (Spacers Needed for Replacing Motor Mtg. Plate) | 9538-149-001 | 1 |
| * | Kit, Seal Replacement | 9732-327-001 | 1 |
| 20 | Hose, Drain Valve to Tube | 9242-459-001 | 1 |
| 21 | Hose Clamp (Drain Valve to Tube) | 8654-117-014 | 2 |
| 22 | Drain Tube Assembly | 9915-129-002 | 1 |
| * | Screw (Drain Tube Bracket to Base) 1/4Bx3/4 | 9545-030-002 | 2 |
| 23 | Hose, Overflow Suds | 9242-463-006 | 1 |
| * | Clamp, Overflow Hose | 8654-117-018 | 1 |
| * | Fill Hose, Vacuum Breaker to Tub | 9242-458-003 | 1 |
| * | Hose, Pressure Switch | 9242-175-003 | 1 |
| * | Clamp, Pressure Switch Hose | 8654-117-015 | 1 |

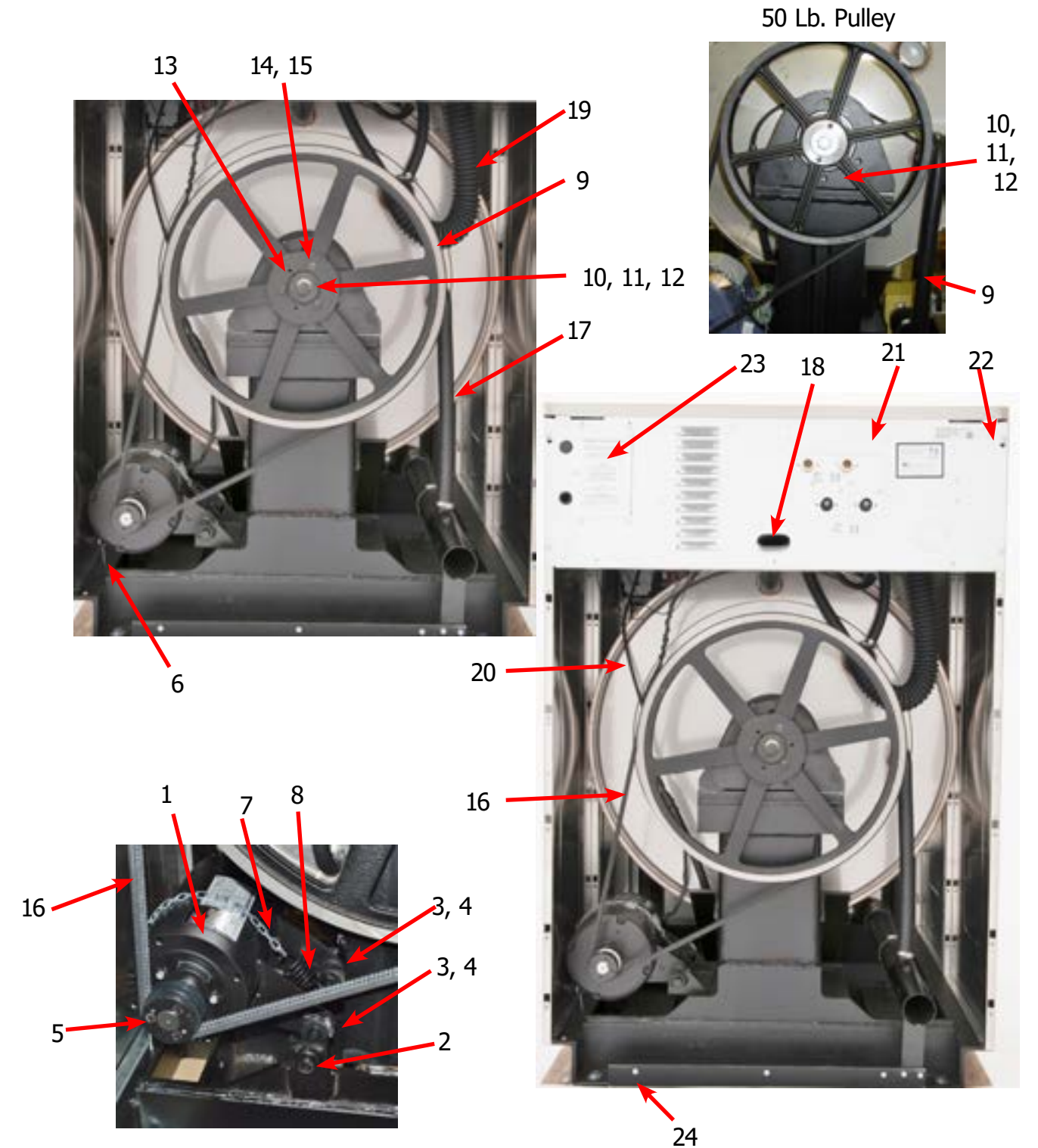
Chassis & Drain Parts Group



Rear View Parts Group

| Key | Description | T-1800 | QTY |
|-----|-----------------------------------|--------------|-----|
| 1 | Drive Motor, 3 Phase | 9376-328-001 | 1 |
| 2 | Rod, Motor Mtg | 9497-222-004 | 1 |
| 3 | Motor-Bushing, Support | 9053-074-002 | 2 |
| 4 | Clamp for motor bushing | 8654-117-019 | 2 |
| 5 | Pulley, Motor | 9453-175-002 | 1 |
| 5 | Split TaperBushing (motor pulley) | 9053-077-001 | 2 |
| * | Screw taper bushing 1/4-20x1 | 9545-018-024 | 3 |
| 6 | Bolt, Eye (1/4"-20x1/2") | 9545-055-001 | 1 |
| * | Nut, 1/4 Elastic Stop | 8640-414-003 | 1 |
| * | Link (open end) | 9341-046-001 | 1 |
| 7 | Chain (Spring Tension) | 9099-012-004 | 1 |
| 8 | Spring, Belt Tension | 9534-369-001 | 1 |
| 9 | Pulley, Driven | 9453-176-006 | 1 |
| 10 | Washer-Flat .675x2-1/2x1/4 | 8641-581-044 | 1 |
| 11 | Lockwasher-Exttooth, 5/8 | 8641-582-020 | 1 |
| 12 | Bolt, 3/4-11x1 1/2 | 9545-057-004 | 1 |
| 13 | Bushing Taperlock (Pulley) | 9053-078-002 | 1 |
| 14 | Bolt, 3/8"-16 x 2" | 9545-029-011 | 3 |
| 15 | Washer, 3/8" | 8641-582-003 | 3 |
| 16 | Drive Belt | 9040-079-006 | 1 |
| 17 | Hose, Overflow to drain | 9242-449-005 | 1 |
| * | Clamp, Hose overflow to drain | 8654-117-018 | 2 |
| 18 | Hose, Overflow Vent Top | 9242-463-006 | 1 |
| * | Clamp, Hose Vent | 8654-117-008 | 1 |
| * | Vaccum Breaker ALL | 9610-001-001 | 1 |
| * | Clamp, Hose to Vacuum Breaker | 8654-117-014 | 2 |
| 19 | Hose, Vacuum Breaker to tub | 9242-458-003 | 1 |
| * | Vaccum Breaker Bracket | 9029-266-001 | 1 |
| 20 | Hose, Pressure Switch | 9242-175-003 | 1 |
| * | Clamp, Pressure Switch Hose | 8654-117-015 | 1 |
| 21 | Channel, Rear, | 9947-055-001 | 1 |
| 22 | Screw #10Bx1/2 | 9545-008-026 | 4 |
| * | Nut, Spring | 8640-442-001 | 4 |
| 23 | Cover, Terminal Block | 9074-267-001 | 1 |
| * | Screw #10Bx1/2 | 9545-008-026 | 1 |

Rear View Parts Group

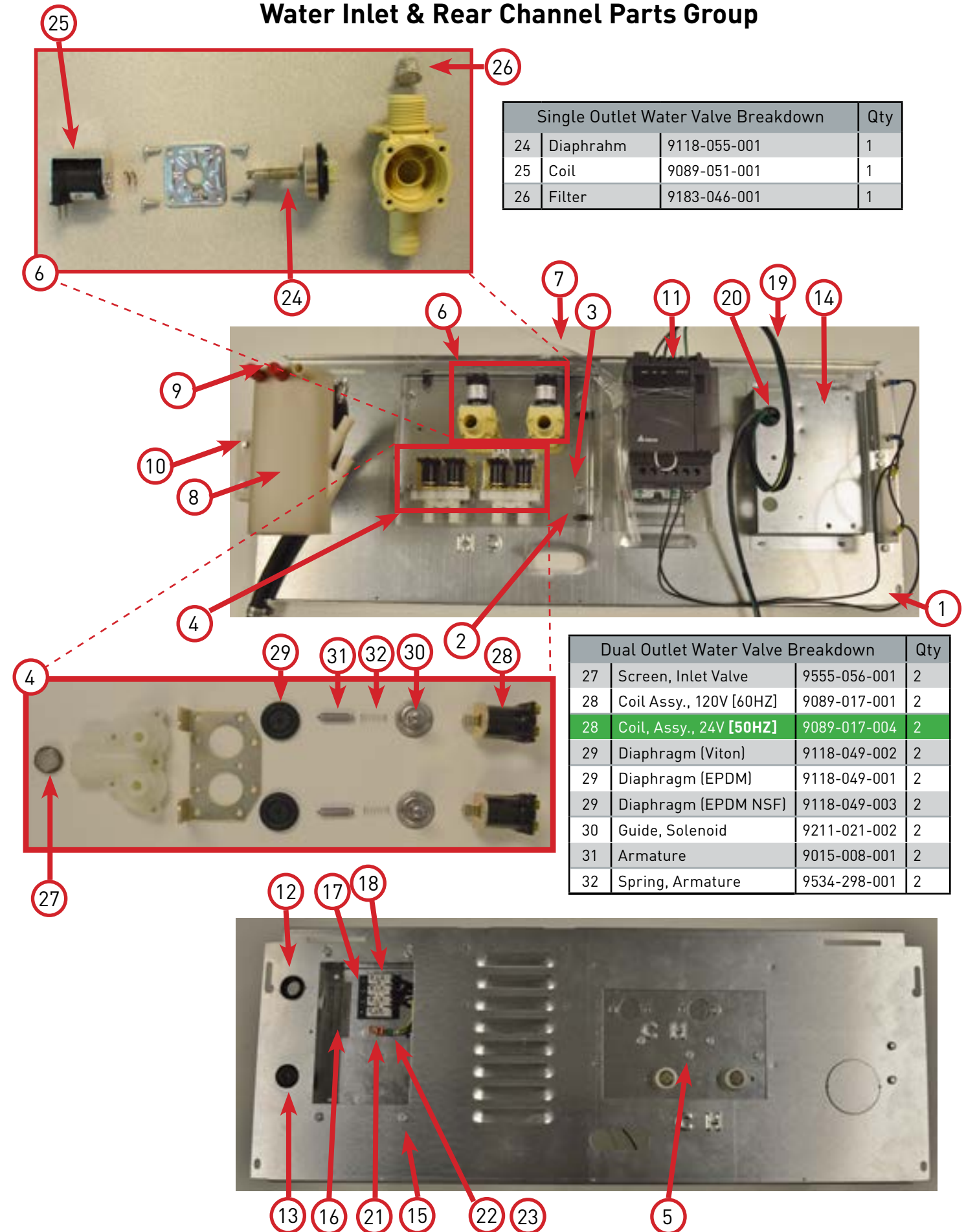


| Key | Description | T-1800 | QTY |
|-----|----------------------------|--------------|-----|
| * | Panel Assy., Back, Upper | 9454-873-001 | 1 |
| * | Panel Assy., Back, Lower | 9989-872-001 | 1 |
| * | Screw Panel Mtg.#10Bx1/2" | 9545-008-026 | 13 |
| * | Nut, Spring | 8640-442-001 | AR |
| 28 | Screw, To Base-1/4" x 3/4" | 9545-030-002 | 3 |

Water Inlet & Rear Channel Parts Group

| Key | Description | T-1800 | QTY |
|-----|---|--------------|-----|
| 1 | Rear Channel | 9947-029-001 | 1 |
| * | Screw, #10B x 1/2 | 9545-008-026 | 6 |
| * | Clip, Spring | 8640-399-004 | 6 |
| 2 | Mounting Plate Water Valves | 9452-813-001 | 1 |
| 3 | Nut-Elastic stop, #10-32 | 8640-413-002 | 2 |
| 4 | Valve, Water Inlet (dual outlet) [60HZ] | 9379-183-012 | 2 |
| 4 | Valve, Water Inlet (Dual Outlet) [50HZ] | 9379-183-013 | 2 |
| 5 | Screw, Valve Mtg | 9545-008-026 | 4 |
| 6 | Valve, Water Inlet (Single Outlet) [60HZ] | 9379-194-001 | 2 |
| 6 | Valve, Water Inlet (Single Outlet) [50HZ] | 9379-194-003 | 2 |
| * | Wire-Assy, Jumper, Yellow | 8220-123-001 | 1 |
| 7 | Shield over Water Valves Plastic | 9550-195-001 | 1 |
| * | Push Clip | 9083-121-001 | 2 |
| 8 | Vacuum Breaker | 9610-001-001 | 1 |
| * | Bracket, Vacuum Breaker | 9029-077-001 | 1 |
| 9 | Vacuum Breaker Cap (Red) | 0935-135-002 | * |
| 10 | Screw, #10B x 1/2 | 9545-008-026 | 4 |
| * | Clamp, Hose to Vacume Braker | 8654-117-014 | 1 |
| * | Hose, Vacuum Breaker to Tub | 9242-458-003 | 1 |
| * | Clamp, Tub End | 8654-117-009 | 1 |
| * | Hose, Valve to Vac. Braker | 9242-453-020 | 4 |
| * | Clamp, Hose-Worm | 8654-117-015 | 12 |
| * | Hose, Overflow Suds | 9242-463-004 | 1 |
| * | Clamp, Hose-Spring (overflow to tubback) | 8654-117-018 | 2 |
| * | Plate Assembly, Drive Mounting | 9452-848-001 | 1 |
| * | Nut-#10-32UNF, 2B | 8640-413-002 | 4 |
| 11 | VFD Delta MS300 | 9375-039-003 | 1 |
| * | Key Pad-Display Delta MS300 | 9150-058-001 | 1 |
| * | Cable-Data, Communication | 9806-023-005 | 1 |
| 12 | Bushing, 7/8 | 9053-067-002 | 1 |
| 13 | Plug, 7/8 | 9456-041-006 | 1 |
| 14 | Bracket, Terminal-Mounting | 9029-326-001 | 1 |
| 15 | Screw, #10-32 TTX 1/2 GRN | 9545-008-027 | 1 |
| 16 | Label-Warning | 8502-639-001 | 1 |
| 17 | Strip-Terminal Marker | 9558-025-001 | 1 |
| 18 | Terminal Block | 9897-033-002 | 1 |
| * | Screw-Phillips, 6ABx3/4 | 9545-031-010 | 2 |
| 19 | Harness-Power, Terminal Block | 9627-932-001 | 1 |
| 19 | Harness, Term Block, Non-Htd [50HZ] | 9628-001-001 | 1 |
| 20 | Bushing, 1" | 9053-067-004 | 1 |
| 21 | Terminal Lug, Solderless | 8652-134-001 | 1 |
| 22 | Lock-Washer Exttooth #10 | 8641-582-006 | 1 |
| 23 | Screw, #10-32 TTX 1/2 GRN | 9545-008-027 | 1 |

Water Inlet & Rear Channel Parts Group



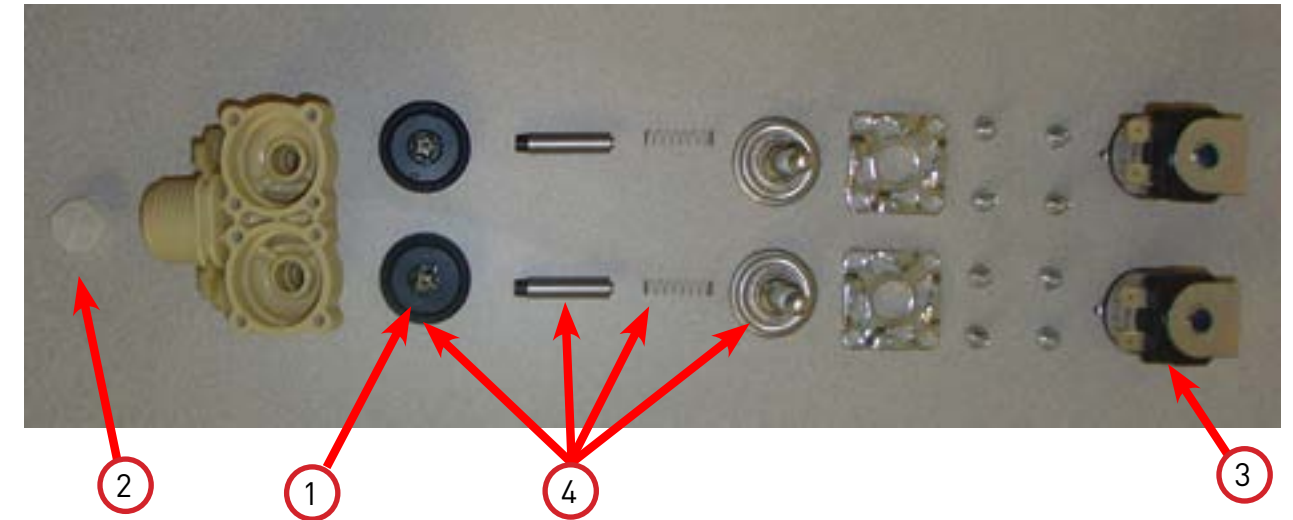
Water Inlet & Rear Channel Parts Group Continued...

| Key | Description | T-1800 | QTY |
|-----|-----------------------------|--------------|-----|
| 33 | Braking resistors (160 ohm) | 9483-004-003 | 2 |
| * | Screw, #6-32x5/16 | 9545-044-006 | 4 |
| 34 | Wire Assy, Jumper | 8220-117-002 | 2 |
| * | Nut, #6-32 | 8640-411-003 | 4 |
| * | Control Covers | 9074-267-001 | 1 |
| * | Screw-#10Bx1/2 | 9545-008-026 | 1 |



| Description | T-1800 |
|-------------------------------------|--------|
| 9242-453-009 Hose-water,23" 1/2 I.D | 3 |
| 9242-453-020 Hose-water,18" 1/2 I.D | 2 |
| 9242-453-024 Hose-water,37" 1/2 I.D | 1 |
| 9242-453-022 Hose-water,43" 1/2 I.D | 1 |
| 9242-466-003 Hose-water,25" 7/8 I.D | 2 |
| 0935-135-002 Fill Cap, (Red) | 3 |
| 8615-118-001 Fitting-Cross, 1/2" | 1 |
| 8654-117-015 Clamp 1" SS | 14 |
| 8654-117-017 Clamp 1 1/4" SS | 4 |

Water Inlet & Rear Channel Parts Group Continued...

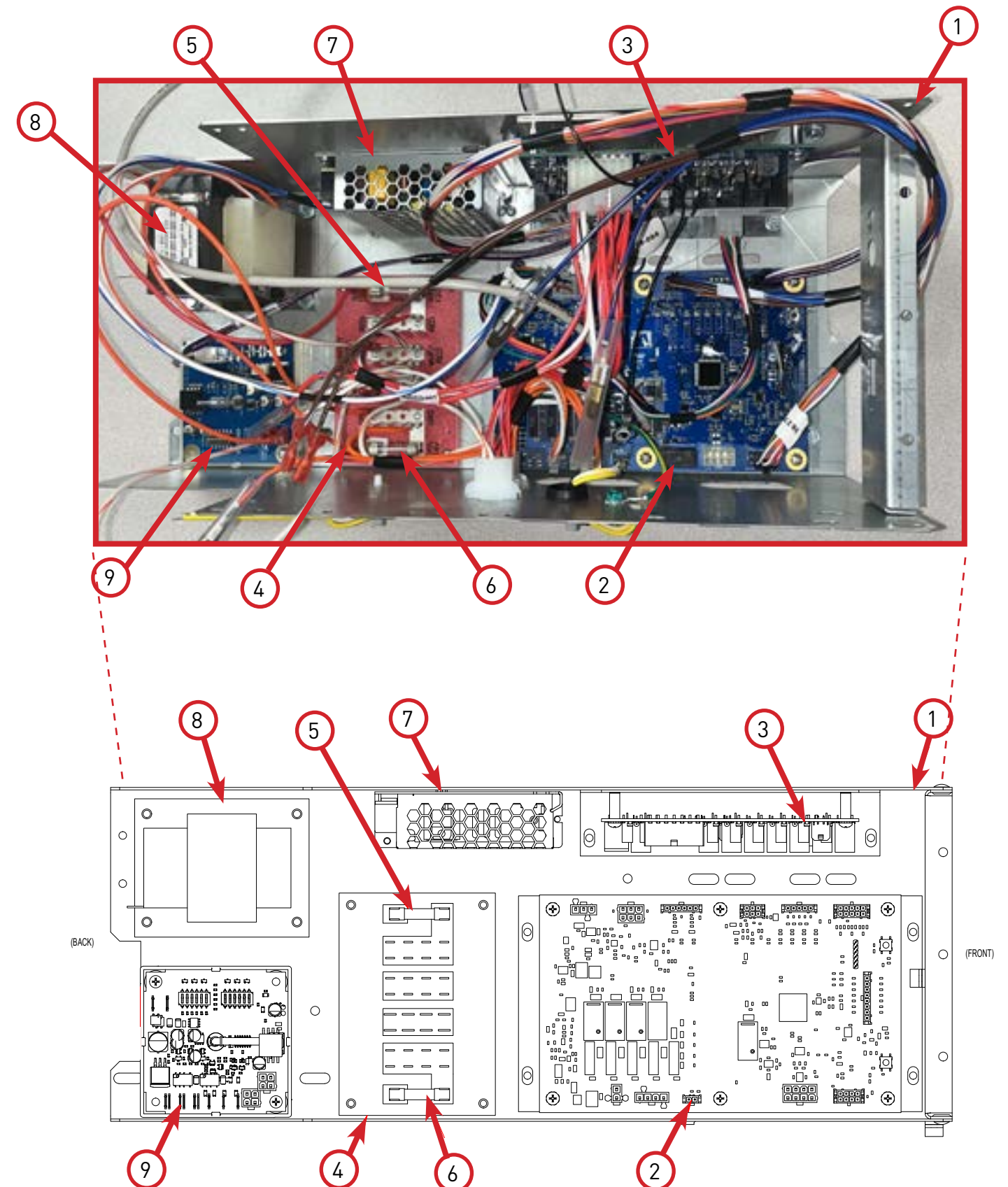


| Optional Water Valve Parts Breakdown | | | |
|--------------------------------------|-------------------------------------|--------------|-----|
| Key | Description | T-1800 | QTY |
| * | Dual Coil Water Valve Mueller | 9379-192-001 | 1 |
| 1 | Diaphragm Mueller | 9118-054-001 | 2 |
| 2 | Filter Mueller | 9183-046-001 | 2 |
| 3 | Coil Mueller | 9089-051-001 | 2 |
| 4 | Diaphragm Assembly Mueller Includes | 9785-001-001 | 2 |

Electrical Components Parts Group

| Key | Description | T-1800 | QTY |
|-----|---|--------------|-----|
| * | Complete Control Trough Assembly | 9857-287-001 | 1 |
| 1 | Control Trough | 9575-045-001 | 1 |
| 2 | Control PCB Board | 9799-029-001 | 1 |
| 3 | Relay PCB Board | 9799-030-001 | 1 |
| 4 | Pwr. Dist. Terminal Block Assembly | 9897-044-001 | 1 |
| 5 | 1.5 Amp Fuse | 8636-018-001 | 1 |
| 6 | 2.0 Amp Fuse | 8636-018-005 | 1 |
| * | Screw-#8ABx1/2 | 9545-045-012 | 4 |
| 7 | Power Supply-12VDC | 9150-054-001 | 1 |
| * | Screw-6Bx3/8 | 9545-031-005 | 2 |
| 8 | Transformer | 8711-017-001 | 1 |
| * | Screw-#10Bx1/2 | 9545-008-026 | 4 |
| * | Lockwasher-Exttooth, #10 | 8641-582-006 | 4 |
| 9 | Water Pressure Sensor | 9474-013-001 | 1 |
| * | WPS Support | 9548-292-001 | 1 |
| 10 | Wiring Harness, Relay. 15-pin (60Hz Only) | 9628-023-001 | 1 |
| 10 | Wiring Harness, Relay, 15-Pin (50Hz Only) | 9628-028-001 | 1 |
| 11 | Data Cable Assembly | 9806-023-005 | 1 |
| 12 | Wiring Harness, Cntrol/Relay | 9627-921-001 | 1 |
| 13 | Wiring Harness, Power Supply | 9627-923-001 | 1 |
| 14 | Wire Assembly, ORG | 8220-062-052 | 1 |
| 15 | Wire Assembly, WHT/ORG | 8220-062-053 | 1 |
| * | Wiring Harness, Ctrl/Graphics | 9627-922-002 | 1 |
| * | Wiring Harness, Door/E-Stop | 9628-022-001 | 1 |
| * | Cable Clamp | 8654-125-005 | 1 |
| * | Screw-8Bx1/4 | 9545-045-001 | 1 |
| * | Wiring Harness, WPS | 9628-020-001 | 1 |
| * | Model ID Jumper Wire | 8220-158-031 | 1 |
| * | Relay Jumper Wire Assembly | 8220-159-006 | 1 |
| * | Screw-10-32TTx1/2GRN | 9545-008-027 | 2 |
| * | Wiring Harness, VFD Enable | 9628-021-001 | 1 |

Electrical Components Parts Group



Control Panel Parts Group

| Key | Description | T-1450 | QTY |
|-----|--|---------------|-----|
| 1 | Control Panel | 9989-723-001 | 1 |
| 2 | Door Locking Actuator Assembly (60Hz Only) | 9982-015-003 | 1 |
| 2 | Door Lock Actuator Assembly (50Hz Only) | 9892-015-002P | 1 |
| 3 | Display Control Board Assembly | 9857-289-003 | 1 |
| 4 | USB Cable Assembly | 9806-022-001 | 1 |
| 5 | Display Protector Window | 9635-025-002 | 1 |
| 6 | PCB Plastic Shield | 9550-201-001 | 1 |
| 7 | Screw-PNHDTORX, 4Bx5/8,CHR | 9545-053-002P | 6 |
| 8 | Screw-FIHDCR,#10Bx5/16 | 9545-008-023P | 2 |
| 9 | Spacer, Plastic, #8x5/16 | 9538-157-020P | 2 |
| 10 | Retainer, USB | 9486-159-001 | 1 |
| 11 | Retainer, Dual Coin Acceptor | 9486-149-001P | 2 |
| 12 | Post, Top Locator | 9467-024-001 | 2 |
| 13 | Plate, Stop Button Mounting | 9452-725-001 | 1 |
| 14 | Plate, Top Latch | 9452-625-001 | 1 |
| 15 | Locator, Panel | 9355-001-001 | 2 |
| 16 | Button, E-Stop w/o Latching | 9035-061-001 | 1 |
| 17 | Electronic Coin Acceptor | 9021-077-001 | 1 |
| 18 | Nut-HEXKEPS, 10-32 | 8640-413-002P | 4 |
| 19 | Nut-NEXKEPS,#8-32 | 8640-412-005P | 10 |
| 20 | Nut, HEXKEPS,#6-32 | 8640-411-003P | 2 |
| 21 | Nameplate, Blue | 9412-270-002 | 1 |
| 21 | Nameplate, Black | 9412-270-001 | 1 |

Control Panel Parts Group

