

Kits, Assemblies, & Common Parts

| Description | Part Number |
|--|--------------|
| Kit - Door Lock Assy. & Cam, replaces 9885-024-001 | 9732-347-001 |
| Kit - Door cam replacement | 9732-346-002 |
| Kit - Locking Pawl replacement | 9732-346-001 |
| Kit - 8650-012-003 Lock with spacer | 9732-344-001 |
| Drain Valve 2" | 9379-199-002 |
| Water Valve (Dual) | 9379-183-013 |
| Diaphragm | 9118-049-003 |
| Cylinder Plug (1.5" Plastic) | 9456-041-007 |
| Electronic Pressure Switch | 9732-315-001 |
| Breaking Resistor 200 Ohms | 9483-004-002 |
| Transformer | 8711-004-004 |
| Main Control Board | 9473-010-001 |
| Data Cable | 9806-015-002 |
| Door Lock Gear Motor Assembly | 9922-017-002 |
| Door Lock Latching Assembly | 9885-024-001 |
| Door Handle Only | 9244-091-001 |
| Door Switch | 9539-492-001 |
| 5/16 Hex Screw | 9545-008-026 |
| Belt | 9040-079-004 |
| Door Glass Gasket | 9206-411-002 |
| MS300 VFD Display | 9150-058-001 |



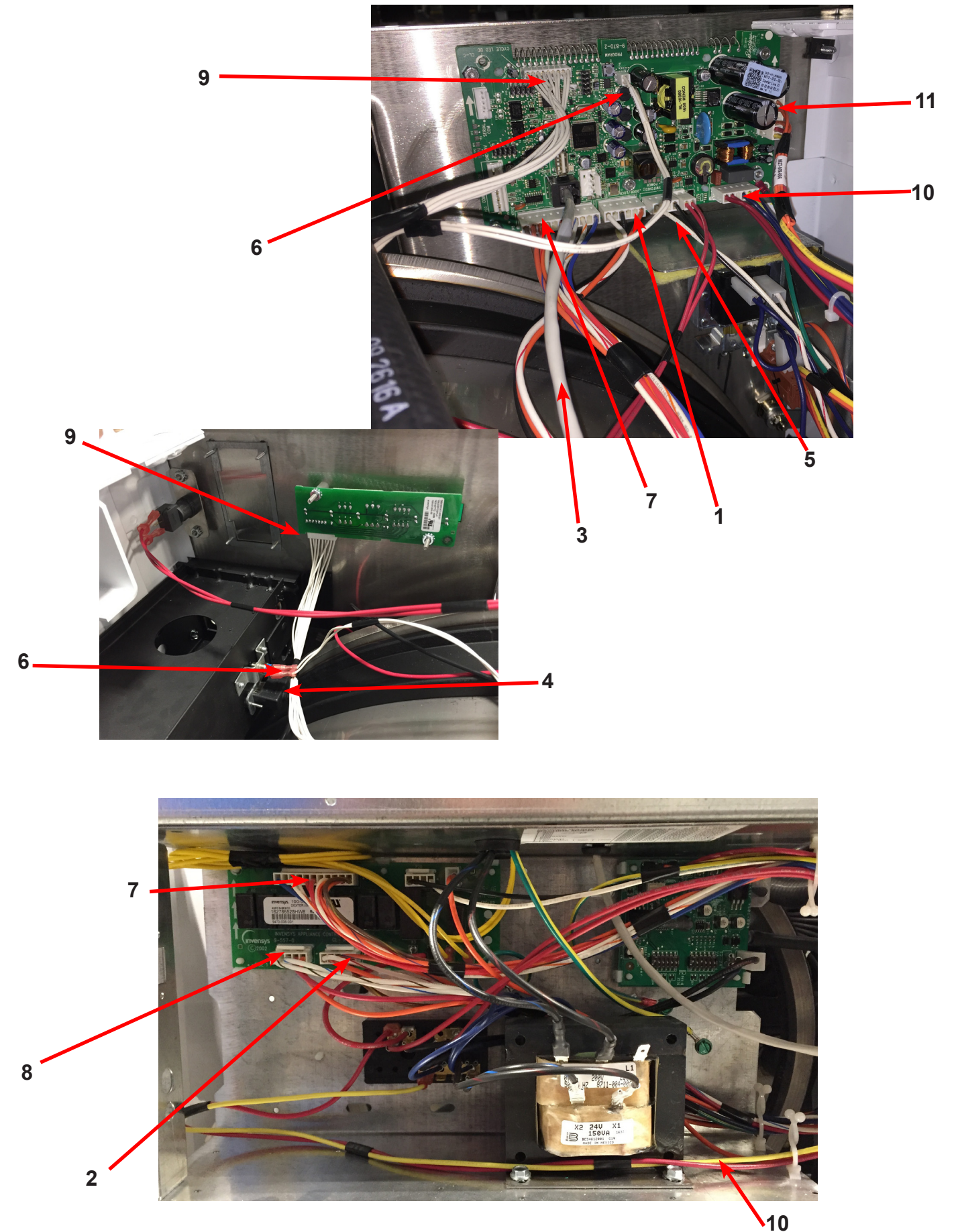
Section 9: Washer Parts

SWD C-Series Accessories T-350

| Key | Description | Part Number | Qty |
|-----|--|--------------|-----|
| * | Hose, Water Supply 3/8" I.D. | 9990-027-011 | 2 |
| * | Washer, Inlet Hose (furnished) | 8641-242-000 | 2 |
| * | Strainer, Inlet Hose (furnished) | 9565-003-001 | 2 |
| * | Sealing compound | 8538-151-002 | 1 |
| * | TORX#20 Driver | 8545-051-002 | 1 |
| * | Special Tool For Removing Coin Acceptor Mounting Screws. (T-10 Torx) | 8545-051-003 | 1 |
| * | Flow Restrictors (in dispenser) | 9475-002-003 | 3 |
| * | Battery 3V Lithium (used on Control PCB) | 8612-001-001 | 1 |
| * | Coin Bearing & Seal Kit | 9732-219-003 | 1 |
| * | Mode Light Support | 9635-022-001 | 1 |

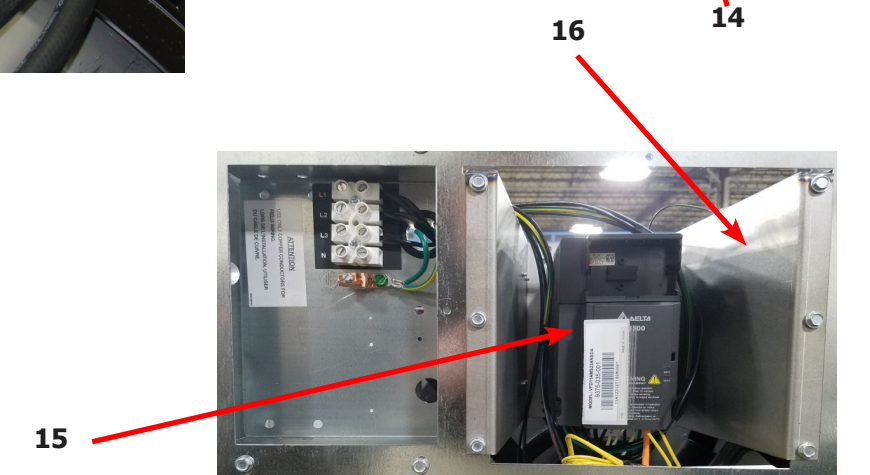
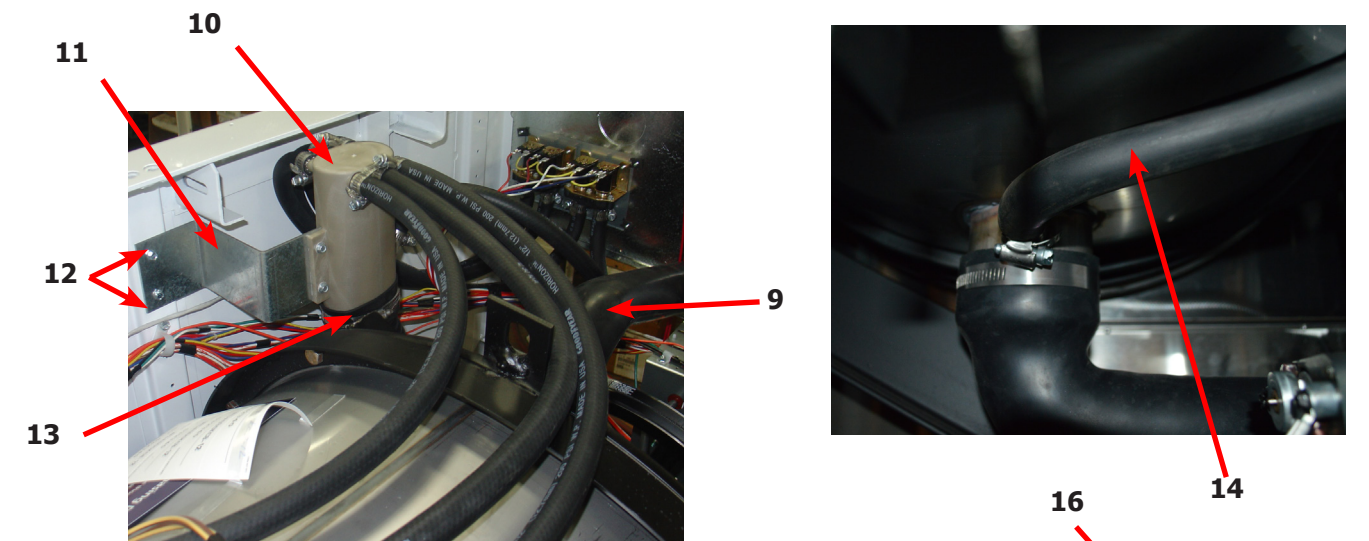
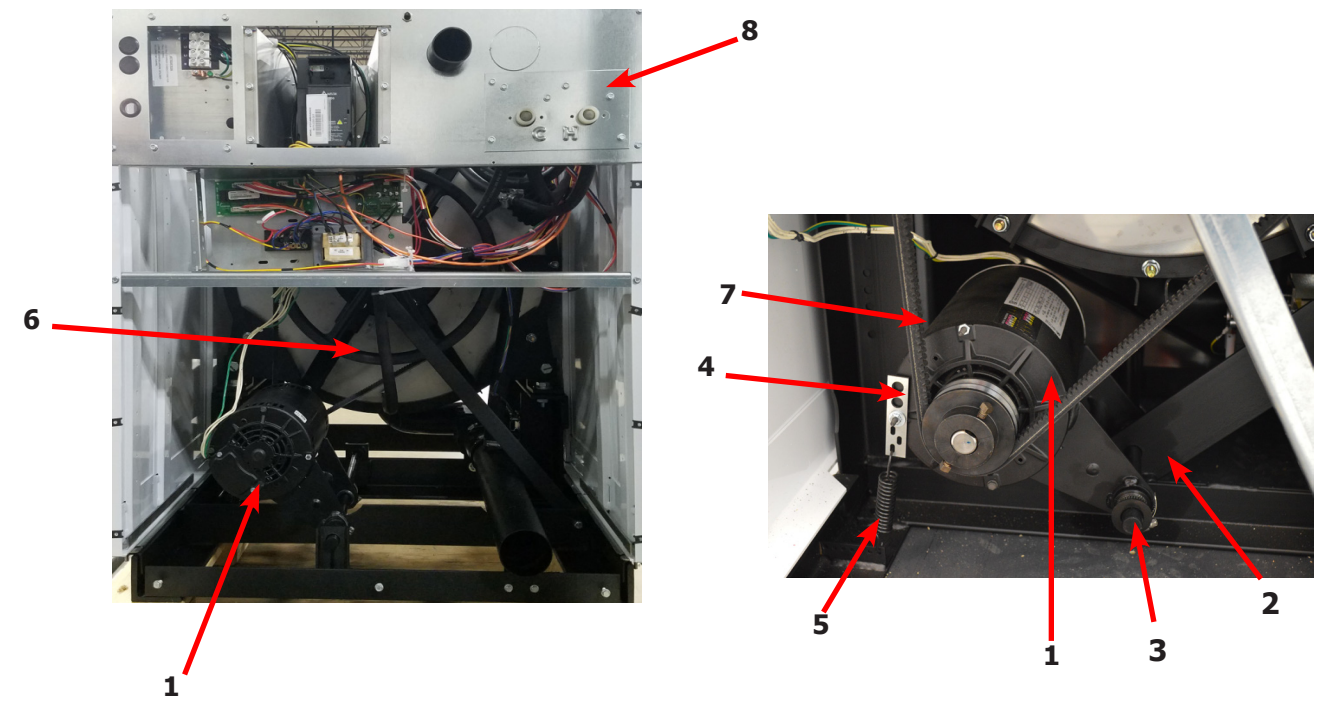
Wiring Harnesses Parts

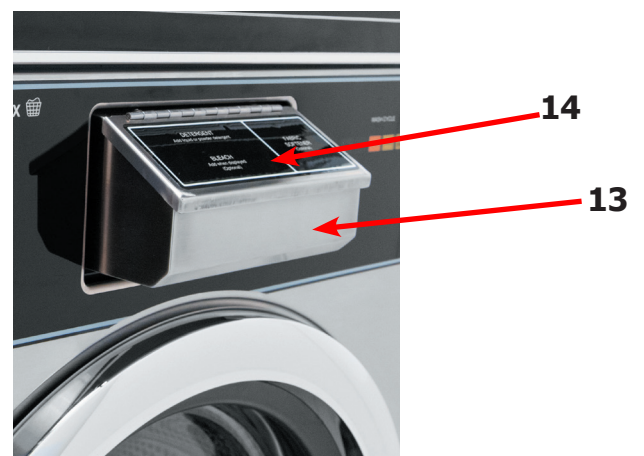
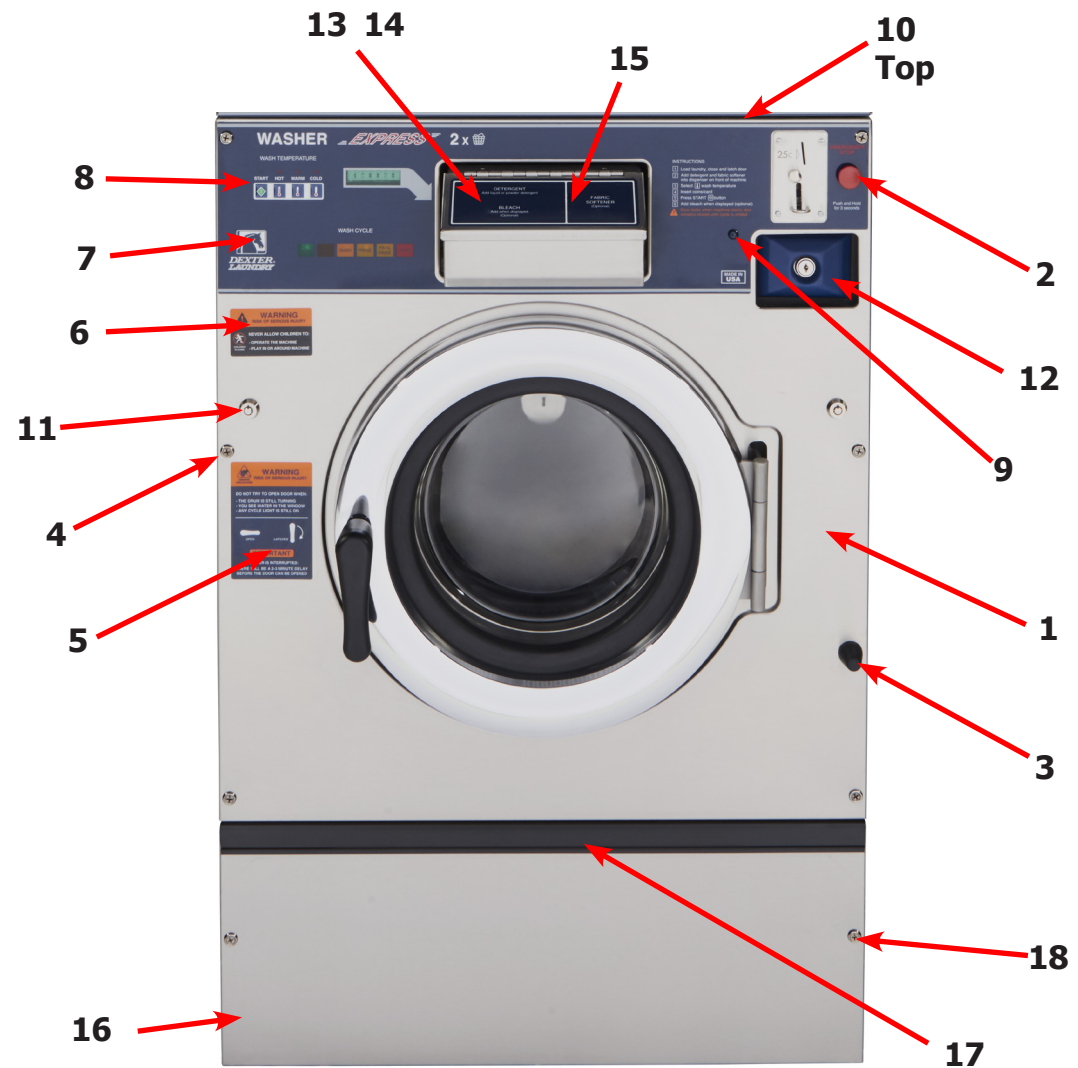
| Key | Description | Part Number | Qty |
|-----|--|--------------|-----|
| 1 | Wiring Harness, Door Lock P15/P4 | 9627-816-002 | 1 |
| * | Wiring Harness, Coin Drop | 9627-916-001 | 1 |
| 2 | Wiring Harness, Drain,Thermo,Door Gear Motor P17 | 9627-820-002 | 1 |
| 3 | Data Cable | 9806-015-002 | 1 |
| 4 | Cableassy-USB | 9806-022-001 | 1 |
| * | Retainer-USB | 9486-159-001 | 1 |
| 5 | Wiring Harness P20/P21 | 9627-818-002 | 1 |
| 6 | Wire Harness-program switch | 9627-910-002 | 1 |
| 7 | Wiring Harness P8/P16 | 9627-819-001 | 1 |
| 8 | Wiring Harness Water Valve/P19 | 9627-795-004 | 1 |
| 9 | Wiring Harness LED PCB | 9627-797-001 | 1 |
| * | Harness Power Terminal Block | 9627-747-003 | 1 |
| * | Wire Yellow Jumper (water valve) | 8220-123-001 | 1 |
| 10 | Harness-Extension, Transformer | 9627-826-001 | 1 |
| * | Wiring Harness -main | 9627-914-002 | 1 |
| 11 | Harness-P5/Pressure Switch | 9627-908-015 | 1 |
| * | Circuit Breaker 7 AMP | 5198-211-002 | 1 |
| * | Wiring label-schematic/diagram | 9506-827-001 | 1 |



WCS350XA Rear View Access Parts Group

| Key | Description | Part Number | Qty |
|-----|--|--------------|-----|
| 1 | Drive Motor, 3 Phase (Inverter duty) | 9376-307-001 | 1 |
| 2 | Rod, Motor Mtg | 9497-222-002 | 1 |
| 3 | Motor Bushing (Rubber) | 9053-082-001 | 2 |
| * | Clamp-Worm, 316SS, 1.5" (for Rubber bushing) | 8654-117-019 | 2 |
| 4 | Strap Bracket, Motor Tension | 9029-206-001 | 1 |
| * | Nut, Strap to Motor | 8640-413-002 | 1 |
| * | Washer | 8641-581-006 | 1 |
| 5 | Spring, Belt Tension | 9534-319-002 | 1 |
| * | Pulley, Motor | 9453-180-001 | 1 |
| * | Set Screw,Sq.Hd(motor pulley) | 9545-028-015 | 2 |
| * | Tolerance Ring | 9487-234-001 | 1 |
| 6 | Pulley, Driven | 9453-168-005 | 1 |
| * | Screw 1/2-13x1/4" | 9545-017-009 | 1 |
| * | Lockwasher 1/2" | 8641-582-016 | 1 |
| * | Washer, Flat 1/2x2 1/4" | 8641-581-026 | 1 |
| 7 | Drive Belt | 9040-079-004 | 1 |
| 8 | Channel, Rear | 9081-182-001 | 1 |
| * | Screw | 9545-008-026 | 4 |
| * | Nut, Spring | 8640-399-007 | 4 |
| * | Hose, Overflow to drain | 9242-449-002 | 1 |
| * | Clamp, Hose overflow to drain | 8654-117-009 | 2 |
| 9 | Hose, Overflow Vent Top | 9242-463-005 | 1 |
| * | Clamp, Hose Vent | 8654-117-014 | 1 |
| 10 | Vacuum Breaker ALL | 9610-001-001 | 1 |
| 11 | Bracket, Vacuum Breaker | 9029-275-001 | 1 |
| 12 | Screw, 10B x 1/2 | 9545-008-026 | 4 |
| * | Vacuum Breaker Cap (Red) | 0935-135-002 | * |
| 13 | Hose, Vacuum Breaker to tub | 9242-458-001 | 1 |
| * | Plastic Plug 7/8" Electrical Connection | 9456-041-006 | 1 |
| * | Panel Assy., Back | 9454-940-001 | 1 |
| * | Screw Panel Mtg.#10Bx1/2" | 9545-008-026 | 10 |
| * | Nut, Spring | 8640-399-001 | 6 |
| 14 | Hose, Pressure Switch | 9242-175-007 | 1 |
| * | Clamp, Pressure Switch Hose | 8654-117-015 | 1 |
| 15 | VFD Delta "E" drive 208-240 volt | 9375-034-004 | 1 |
| * | VFD Cooling Fan | 9189-015-001 | 1 |
| * | Braking resistors (200 ohm) | 9483-004-002 | 2 |
| 16 | Bracket assembly (drive mounting) | 9029-119-002 | 1 |



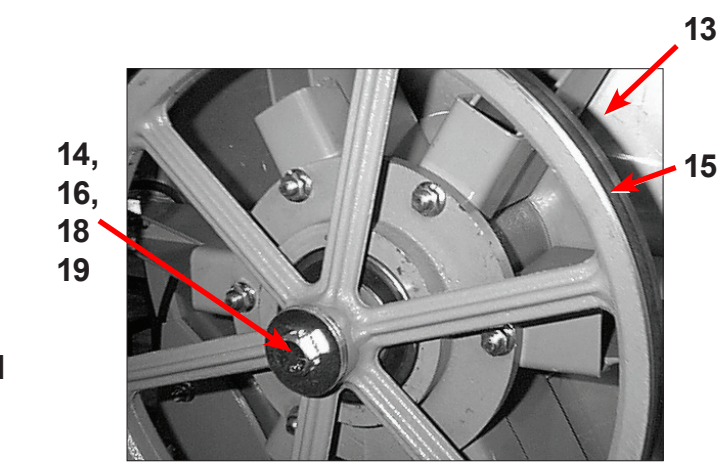
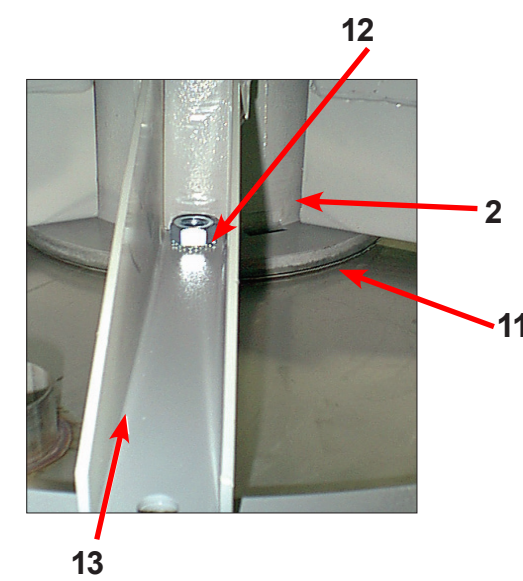
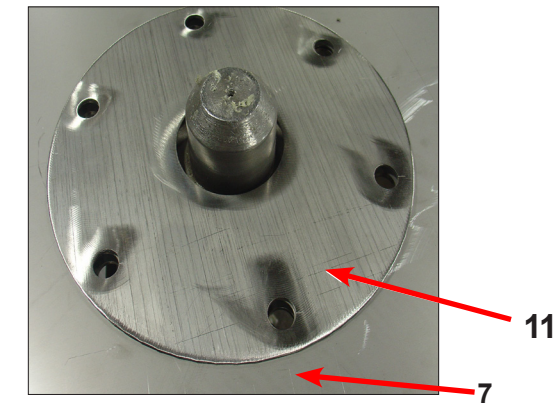
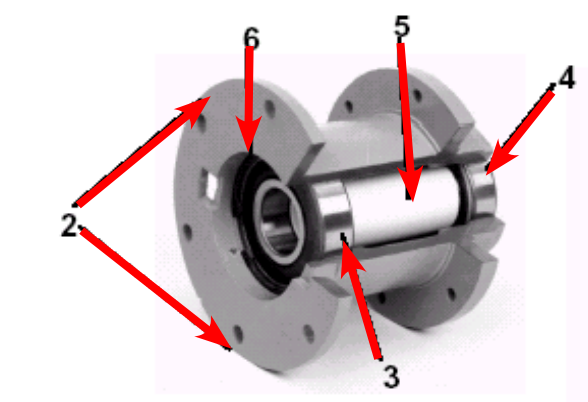
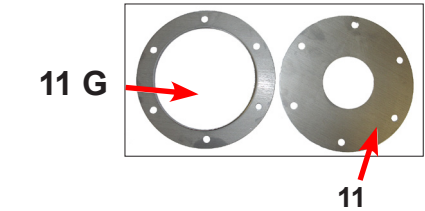
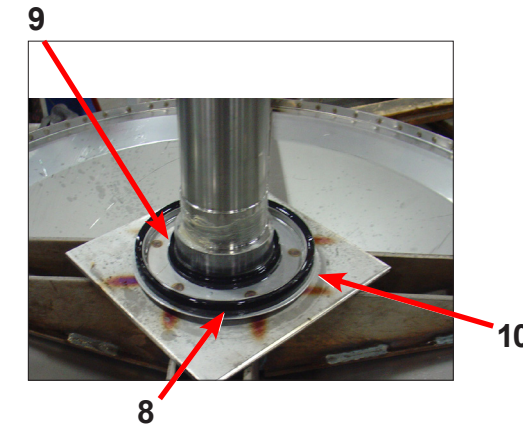
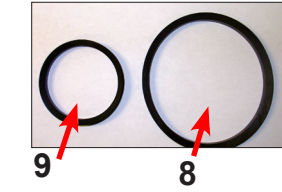
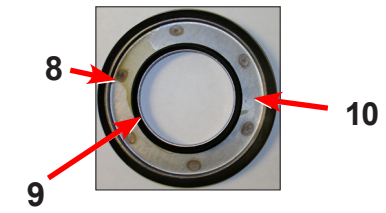


WSC350XA Cabinet and Front Panel Group

| Key | Description | Part Number | Qty |
|-----|--|--------------|-----|
| * | Panel, Right Side-Painted | 9989-586-002 | 1 |
| * | Panel, Left Side - Painted | 9989-587-002 | 1 |
| * | Screw | 9545-008-023 | 8 |
| 1 | Panel Assy, Front | 9989-620-002 | 1 |
| * | Trim Edge Protector | 9578-092-005 | 1 |
| 2 | Switch Assembly, Stop Button Kit | 9732-223-002 | 1 |
| * | Stop Button Mounting Plate | 9452-725-001 | 1 |
| 3 | Bumper Loading Door | 9051-055-001 | 1 |
| * | Nut-hexelasticstop,1/4-20 | 8640-414-003 | 1 |
| 4 | Screw-flhdcr,10bx13/4 | 9545-008-014 | 6 |
| * | Nut, Spring-To Front Panel | 8640-442-001 | 6 |
| * | Washer-finish,#10 | 8641-585-001 | 6 |
| 5 | Label, Door Opening, Blue | 8502-757-002 | 1 |
| 5 | Label, Door Opening, Black | 8502-757-001 | 1 |
| 6 | Label, Risk of Injury, Blue | 8502-759-002 | 1 |
| 6 | Label, Risk of Injury, Black | 8502-759-001 | 1 |
| 7 | Nameplate Decal, Control Panel, Blue | 9412-238-002 | 1 |
| 7 | Nameplate Decal, Control Panel, Black | 9412-238-001 | 1 |
| 8 | Button, Push Control, Blue | 9035-062-001 | 1 |
| 8 | Button, Push Control, Black | 9035-062-002 | 1 |
| 9 | Screw, Torx Head- 10AB x 3/4, Blue | 9545-008-009 | 2 |
| 9 | Screw, Torx Head- 10AB x 3/4, Black | 9545-008-036 | 2 |
| 10 | Panel top Front, Painted | 9989-590-002 | 1 |
| * | Screw, Hex, #10B x 1/2 | 9545-008-026 | 6 |
| * | Panel Top Rear | 9454-939-001 | 1 |
| * | Screw, Hex, #10B x 1/2 | 9545-008-026 | 6 |
| 11 | Lock, (w/Key) | 8650-012-003 | 2 |
| * | Key, - # 6324 | 6292-006-007 | 1 |
| * | Cam, Lock- | 9095-050-001 | 2 |
| * | Nut, 9/32 - 28 Hex | 8640-426-001 | 2 |
| * | Washer Flat 5/16 | 8641-581-008 | 2 |
| * | Coin Vault Assy, Coin | 9942-028-003 | 1 |
| 12 | Coin Box, Blue | 9807-099-001 | 1 |
| 12 | Coin Box, Black | 9807-099-003 | |
| 13 | Soap Dispenser Assembly, Complete (Does not include lid) | 9807-087-001 | 1 |
| * | Soap Box mounting Gasket | 9206-425-001 | 1 |
| 14 | Lid Assembly soap box | 9987-104-001 | 1 |
| * | Lid screws #10-32x1/2 SS | 9545-012-017 | 2 |
| * | Nut Hex Elasticstop #10-32 SS | 8640-413-006 | 6 |
| * | Bracket Soap box mounting | 9029-122-002 | 1 |
| * | Softener siphon tube (plastic) | 9574-252-002 | 1 |
| * | Flow restrictors | 9475-002-003 | 1 |
| 15 | Label, Dispenser Instructions, Blue | 8502-756-002 | 1 |
| 15 | Label, Dispenser Instructions, Black | 8502-756-001 | 1 |
| 16 | Door, Lower Service | 9108-140-001 | 1 |
| 17 | Handle, Lower Service Door | 9244-086-006 | 1 |
| 18 | Screw-flhdcr,10bx13/4 | 9545-008-014 | 2 |

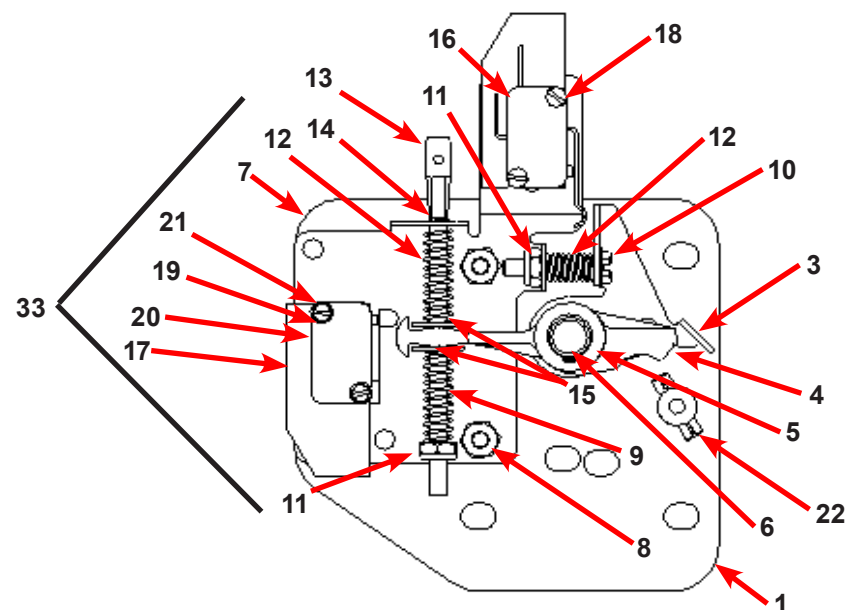
WSC350XA Cylinder, Seals & Bearings Part #'s

| Description | Part Number | Qty |
|--|--------------|-----|
| * Bearings and Seal Kit | 9732-219-008 | 1 |
| * Housing, Bearing- Assembly (items #2-#6) | 9803-179-003 | 1 |
| 2 Housing, Bearing | 9241-169-002 | 1 |
| 3 Bearing, Front (LARGE) | 9036-159-008 | 1 |
| 4 Bearing, Rear (SMALL) | 9036-159-009 | 1 |
| 5 Spacer, Bearing | 9538-158-001 | 1 |
| 6 Ring, Bearing Retainer | 9487-238-001 | 1 |
| 8 Seal, Large | 9532-140-009 | 1 |
| 9 Seal, Small | 9532-140-003 | 1 |
| 10 Ring, Seal Mounting | 9950-042-001 | 1 |
| 11 Tub Back Mating Ring | 9487-261-002 | 1 |
| 12 Bolt 1/2-13x1 1/4" Tub end of bearing Housing | 9545-017-009 | 6 |
| 12 Nut 1/2-13 | 8640-417-005 | 6 |
| 13 Support Arm Assy, Bearing Housing | 9991-057-001 | 6 |
| 14 Bolt Pulley end of bearing housing, 3/8-16x1 1/2" | 9545-029-003 | 6 |
| * Nut, Flange Locking 3/8" | 8640-415-004 | 6 |
| 15 Pulley, Driven | 9453-168-005 | 1 |
| 16 Ring, Tolerance | 9487-234-001 | 1 |
| 17 Washer 1/2 | 8641-581-026 | 2 |
| 18 Bolt 1/2-13x1 1/4" | 9545-017-009 | 1 |
| 19 Lockwasher 1/2 Ext. tooth | 8641-582-016 | 1 |
| * Cylinder Assy | 9848-121-001 | 1 |
| * Tub and Cylinder Assy. | 9869-037-001 | 1 |
| * Plastic Plug 1 1/2"-(inside cylinder) | 9456-041-007 | 1 |

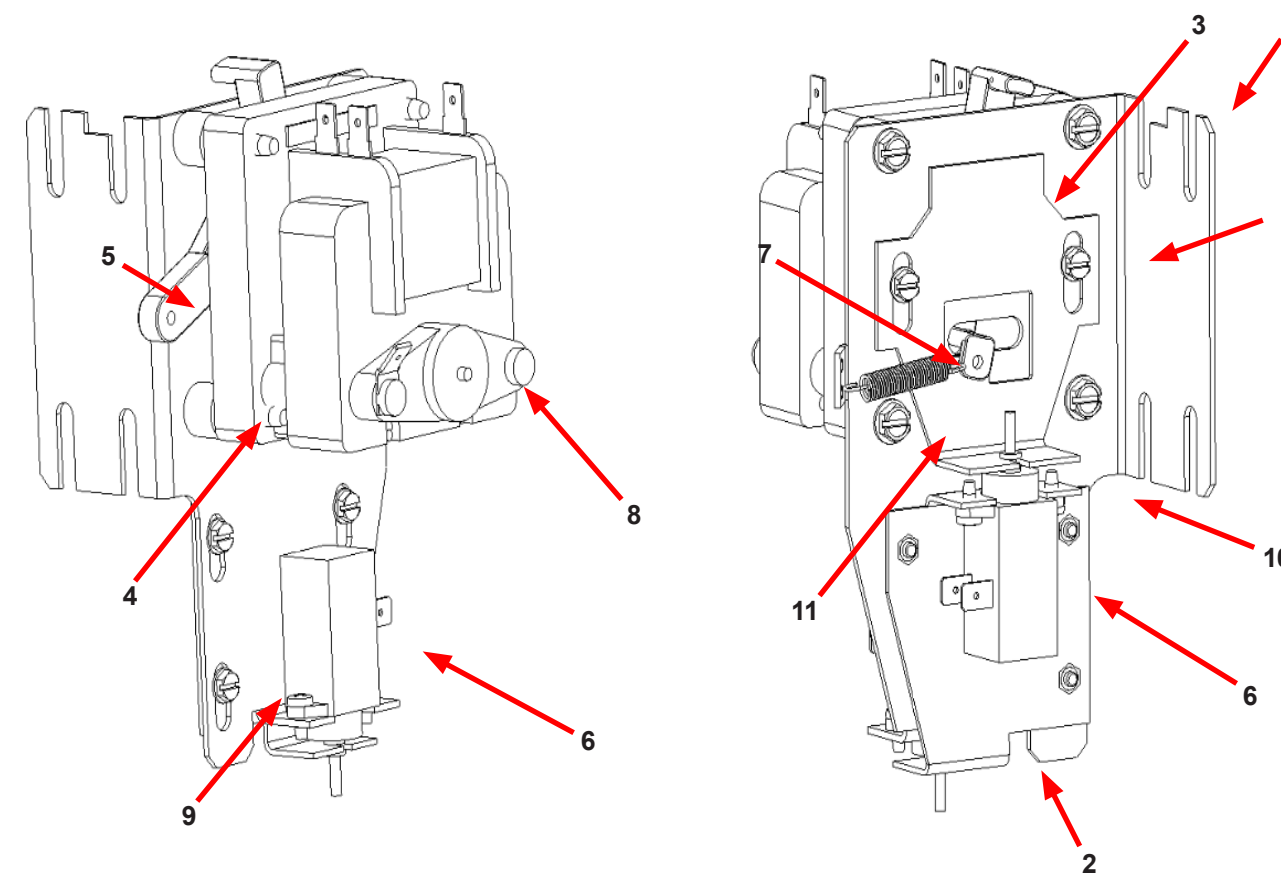


Door Lock Assembly (continued)

| Key | Description | Part Number | Qty |
|-----|---|--------------|-----|
| 33 | Lock Assy, Complete (#1-22)(includes #1 thru #22) | 9885-024-001 | 1 |
| 1 | Plate Assy, Door Lock | 9982-346-001 | 1 |
| 2 | Washer, Flat | 8641-581-030 | 1 |
| 3 | Actuator, Latching Switch | 9008-005-001 | 1 |
| 4 | Pawl, Locking | 9732-346-002 | 1 |
| 5 | Washer, Spring | 8641-569-003 | 1 |
| 6 | Ring, Retaining | 9487-200-004 | 1 |
| 7 | Bracket Switch | 9029-163-001 | 1 |
| 8 | Nut, Hex 10-32 UNF | 8640-413-002 | 2 |
| 9 | Spring, Actuating | 9534-364-002 | 1 |
| 10 | Screw, Hx. 10-32 x 1" | 9545-012-020 | 1 |
| 11 | Nut, Elastic Stop 10-32 | 8640-413-004 | 2 |
| 12 | Spring, Return | 9534-364-001 | 2 |
| 13 | Pin, Guide | 9451-193-001 | 1 |
| 14 | Ring, Retaining | 9487-200-005 | 1 |
| 15 | Washer | 8641-581-031 | 1 |
| 16 | Switch, Latching Sensing | 9539-461-008 | 1 |
| 17 | Shield, Switch | 9550-169-003 | 3 |
| 18 | Screw 4-40 x 5/8" | 9545-020-001 | 2 |
| 18 | Nut, Twin 4-40 | 8640-401-001 | 1 |
| 19 | Switch, Locking Sensing | 9539-461-007 | 2 |
| 20 | Actuator, Switch Locking | 9008-006-003 | 1 |
| 21 | Screw 4-40 x 1 1/8" | 9545-020-003 | 2 |
| 21 | Nut, Twin 4-40 | 8640-401-001 | 1 |
| * | Spacer Sensor | 9538-182-001 | * |
| * | Shim, Door Lock, Thin | 9552-037-001 | AR |
| * | Screw, Lock mtg 1/4"-20 x 3/4" | 9545-018-014 | 3 |
| * | Lockwasher 1/4" Ext tooth | 8641-582-007 | 3 |



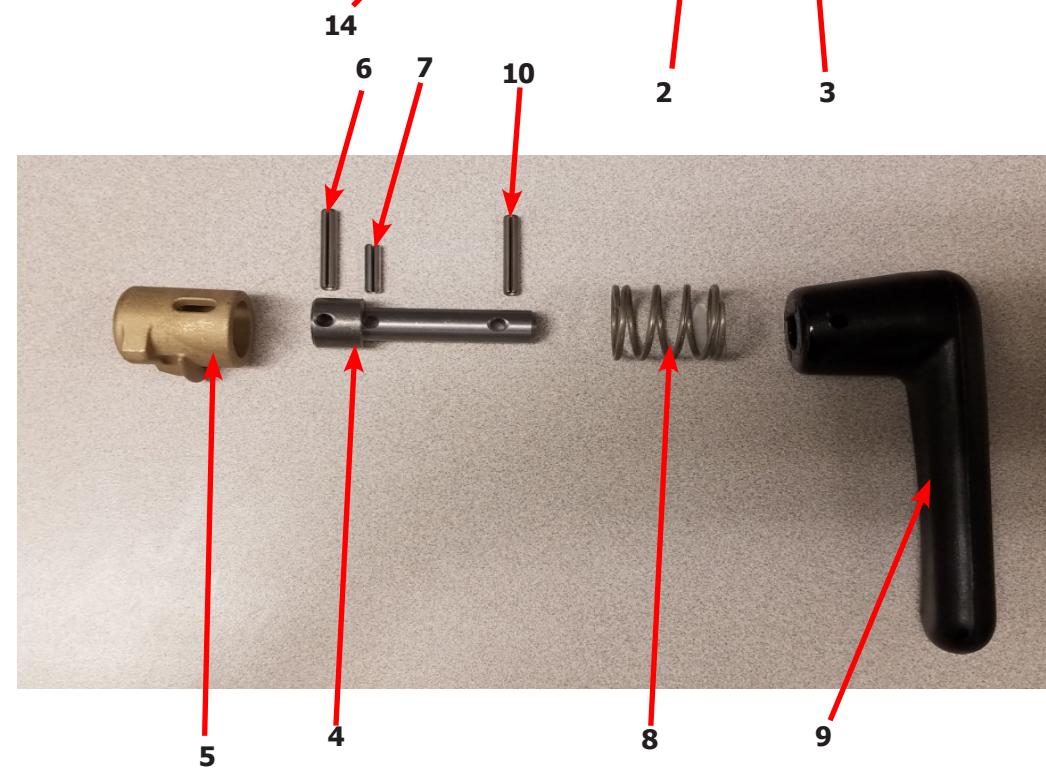
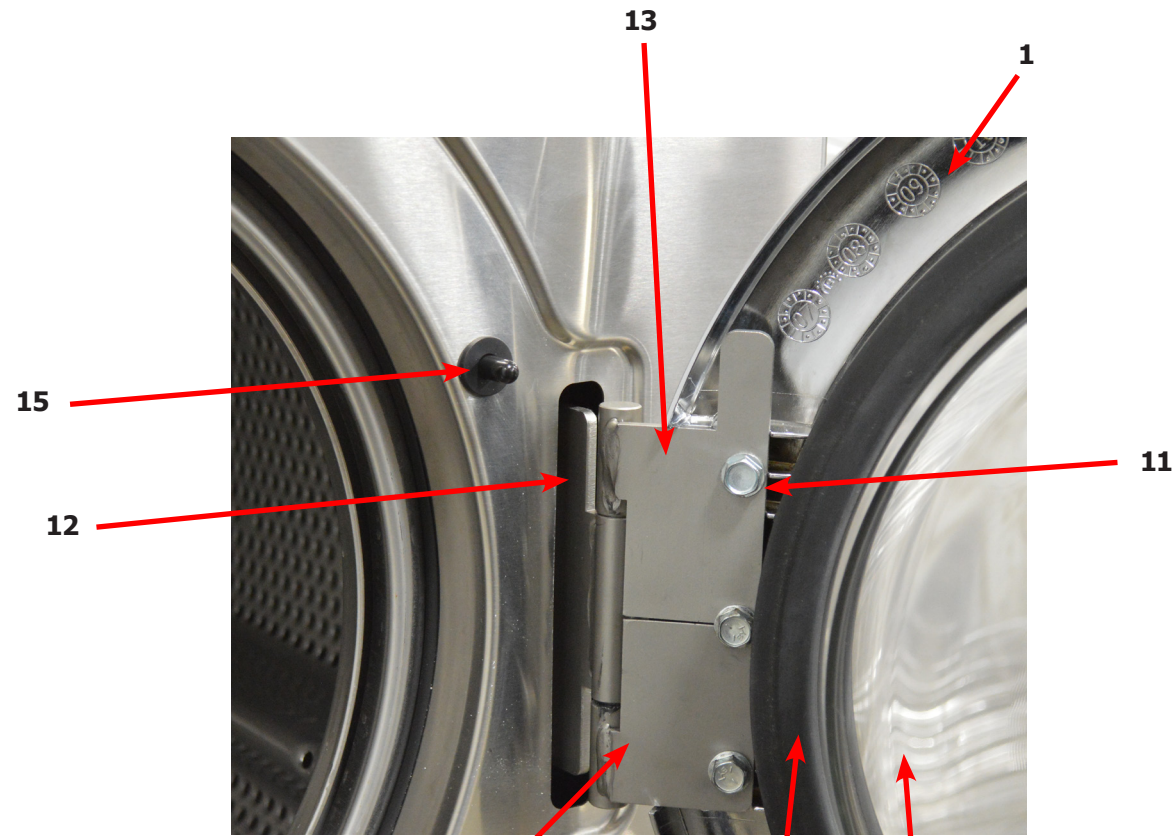
Gear Motor Door Lock Assembly



| Key | Description | T-350 | QTY |
|-----|---|--------------|-----|
| * | Actuator Assembly (Includes 1-10, Rod NOT included) | 9892-017-002 | 1 |
| 1 | Bracket Assy, Slide Lock Actuator | 9985-199-001 | 1 |
| 2 | Bracket Assy, Slide - Unlock | 9985-196-001 | 1 |
| 3 | Bracket Slide Lock | 9029-278-001 | 1 |
| 4 | Spacer, Plastic | 9538-157-021 | 4 |
| 5 | Arm - Door Lock | 9001-063-001 | 1 |
| 6 | Thermoactuator - Door Lock Relay 24VAC | 9586-001-003 | 2 |
| 7 | Spring - Extension | 9534-350-001 | 1 |
| 8 | Motor & Gear Assembly 24VAC | 9914-137-014 | 1 |
| 9 | Screw -Hxwshrdslsems, 6-32 x 3/16 | 9545-044-003 | 6 |
| 10 | Cross Recessed PAN Hd Tapping screw | 9545-031-011 | 4 |
| 11 | Screw hxwsdhsi, 10-24 - 1.25f, ctd | 9545-046-007 | 4 |
| 12 | Standoff-Wire | 9527-007-001 | 1 |
| * | Rod, Door Lock | 9497-225-018 | 1 |
| * | Harness, Door Lock/Drain, P17 | 9627-820-002 | 1 |

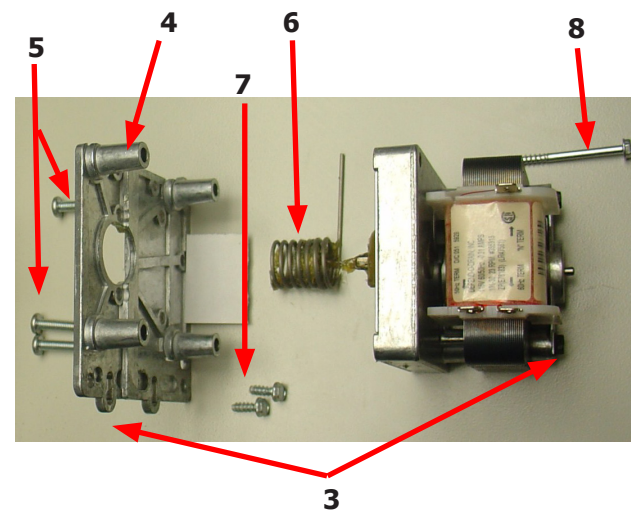
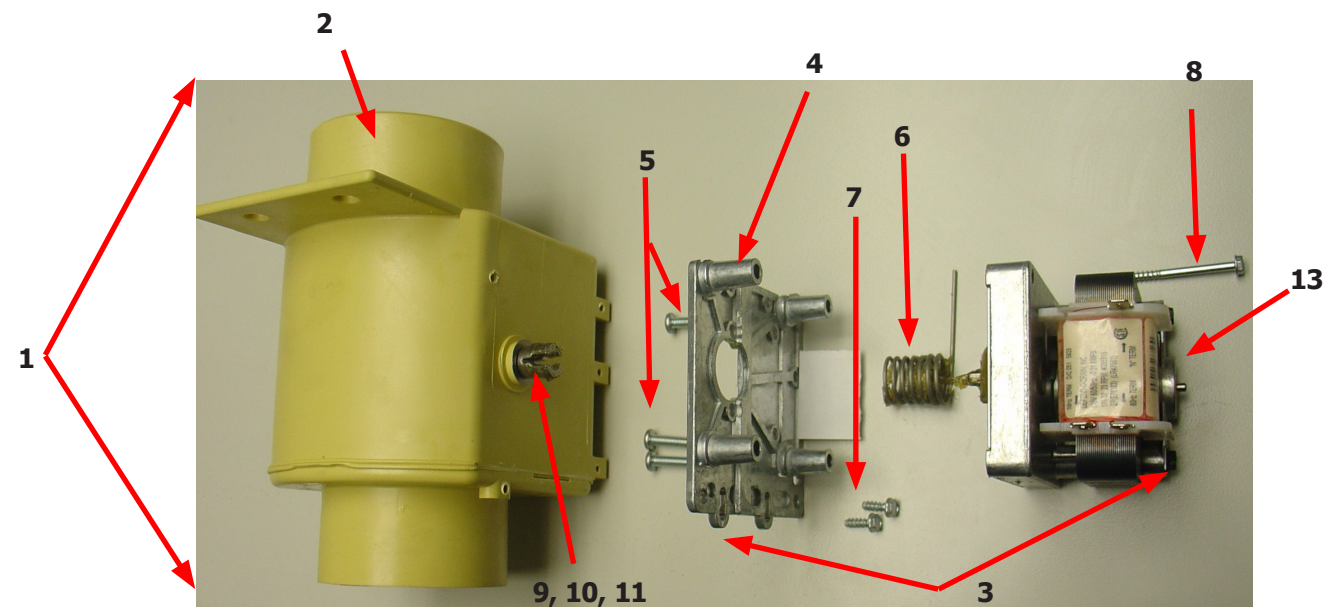
WCS350XA Loading Door Group Part

| Key | Description | Part Number | Qty |
|-----|--|--------------|-----|
| | Loading Door, Complete #1-10 | 9960-308-001 | 1 |
| 1 | Loading Door, Ring (180 Degrees) | 9487-264-002 | 1 |
| 2 | Gasket, Loading Door | 9206-411-002 | 1 |
| 3 | Window, Loading Door | 9635-018-001 | 1 |
| * | Shaft Assy, Locking (includes 4 thru 7) | 9913-134-003 | 1 |
| 4 | Shaft, Door Locking | 9537-195-002 | 1 |
| 5 | Cam, Locking | 9095-051-001 | 1 |
| 6 | Pin, Groove (1 1/4) | 9451-181-005 | 1 |
| 7 | Pin, Groove (3/4) | 9451-181-004 | 1 |
| 8 | Spring, Lock Cam | 9534-360-002 | 1 |
| 9 | Handle, Door | 9244-091-001 | 1 |
| 10 | Pin, Door Handle (groove) | 9451-181-005 | 1 |
| 11 | Screw, Loading Door Mtg (5/16" TF) | 9545-056-002 | 3 |
| * | Shim, Loading Door Hinge, Thin | 9552-037-001 | 1 |
| 12 | Door Hinge Assembly Mounts to Tub Front | 9955-030-001 | 1 |
| * | Screw, Hinge Mtg 5/16" -18x 3/4" | 9545-014-009 | 3 |
| * | Lockwasher 5/16" Ext tooth | 8641-582-009 | 3 |
| * | Wiring Harness doorlock safety Switch Assembly | 9627-816-002 | 1 |
| * | Wire Assembly Door Close Switch, Red 17" | 8220-063-025 | 1 |
| * | Wire Assembly Door Close Switch, BLK 17" | 8220-063-026 | 1 |
| 13 | Leaf assembly, Hinge Top | 9845-008-001 | 1 |
| 14 | Leaf assembly, Hinge Bottom | 9845-005-002 | 1 |
| 15 | Switch Door Closure | 9539-492-001 | 1 |

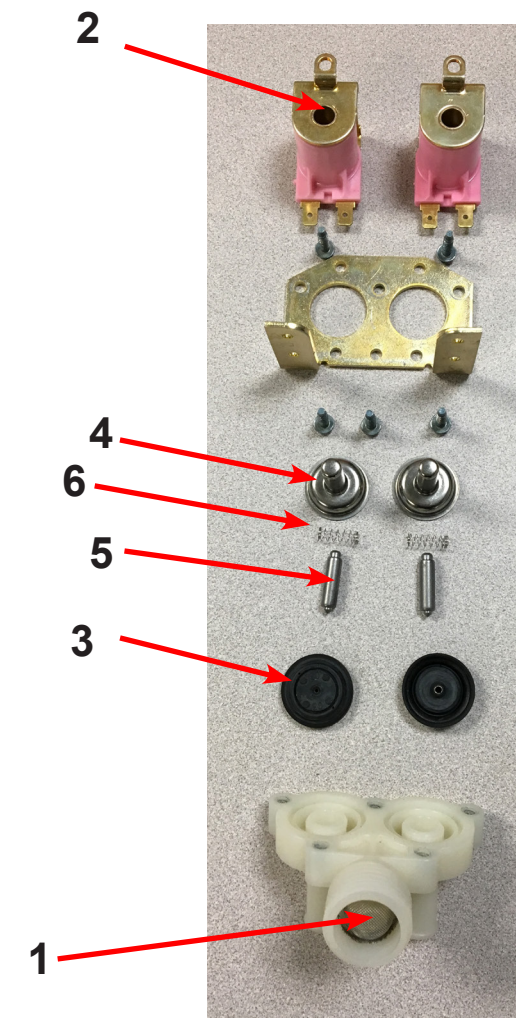


Drain Valve Group Part # by Model

| Key | Description | Part Number | Qty |
|-----|---|--------------|-----|
| 1 | Valve, Drain (includes #2 thru #11) | 9379-199-002 | 1 |
| 2 | Body, Valve (w/ball) | 9064-068-002 | 1 |
| 3 | Motor & Gear Train (complete) | 9914-137-019 | 1 |
| 4 | Plate, Motor Mtg | 9452-538-001 | 1 |
| 5 | Screw | 8639-994-001 | 1 |
| 6 | Spring, Drive | 9534-340-001 | 1 |
| 7 | Screw | 9545-054-001 | 1 |
| 8 | Screw | 9545-054-002 | 1 |
| 9 | Seal, V Packer | 9532-134-001 | 1 |
| 10 | Washer | 8641-584-001 | 1 |
| 11 | Pin, Main Drive | 9451-196-001 | 1 |
| * | Plate (spacers needed for replacement motor mtg. plate) | 9538-149-001 | 1 |



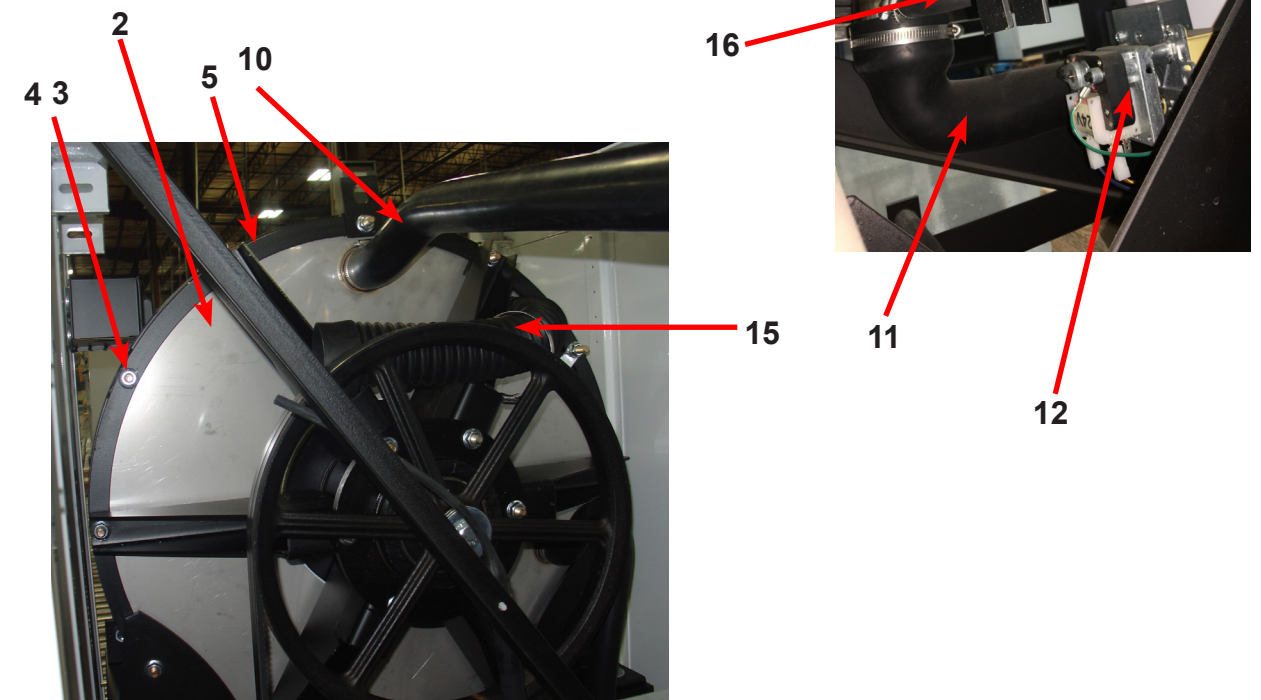
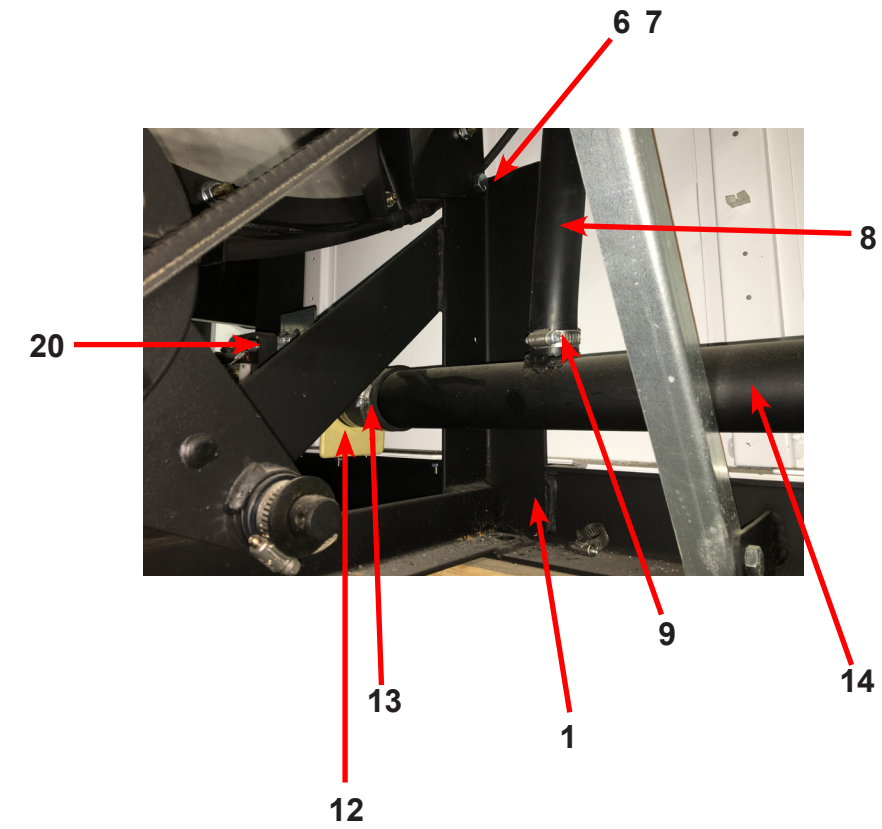
Water Inlet Valve Breakdown



| Key | Description | Part Number | QTY |
|-----|--|--------------|-----|
| * | Valve, Water Inlet (includes 1 thru 6) - Invensys | 9379-183-013 | 2 |
| 1 | Screen, Inlet end of valve | 9555-056-001 | 2 |
| 2 | Coil Assy., 24 V Invensys | 9089-017-004 | 2 |
| 3 | Diaphragm Invensys (EPDM) | 9118-049-003 | 2 |
| 4 | Guide, Solenoid Invensys | 9211-021-002 | 2 |
| 5 | Armature Invensys | 9015-008-001 | 2 |
| 6 | Spring, Armature Invensys | 9534-298-001 | 2 |

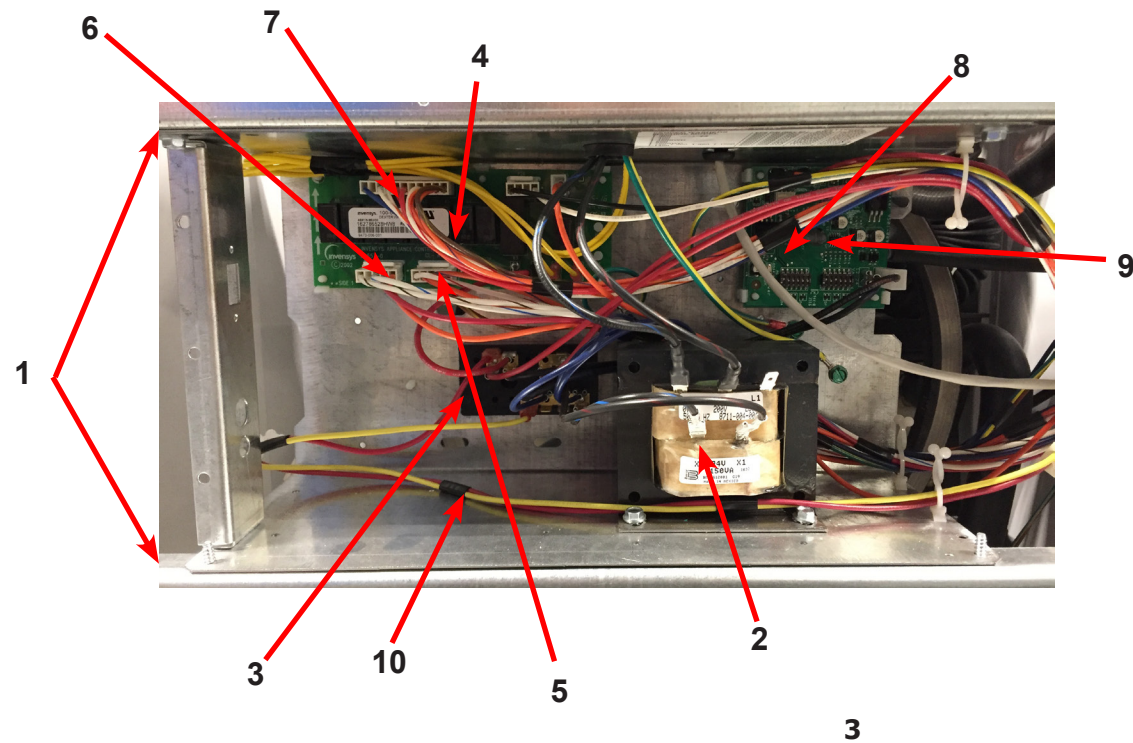
WCS350XA Chassis and Drain by Part

| Key | Description | Part Number | Qty |
|-----|---|--------------|-----|
| 1 | Base Assy,Frame | 9945-147-002 | 1 |
| * | Outer Tub Assy | 9930-176-001 | 1 |
| * | Tub & Cylinder Assy | 9869-043-001 | 1 |
| * | Cylinder Assembly, (Includes Spider) | 9848-121-001 | 1 |
| 2 | Back Ass'y, Tub | 9962-016-001 | 1 |
| 3 | Bolt, 3/8-16" x 1 1/2" Tub Back to Tub | 9545-029-003 | 16 |
| 4 | Nut, Flange Lock | 8640-415-004 | 18 |
| * | Ring Assy, Tub Mtg-Front | 9950-057-002 | 1 |
| * | Bolt, Top Front Ring 1/2" -13 x 3" | 9545-017-012 | 1 |
| * | Nut 5/8" | 8640-417-005 | 1 |
| 5 | Ring Assy.Clamp Tub Mtg.- Rear | 9950-046-001 | 1 |
| 6 | Bolt, 1/2-13 x 1 1/4 Tub & Rings to Base, Front & Rear | 9545-017-009 | 4 |
| 7 | Nut, 1/2-13 Wizlok | 8640-417-005 | 4 |
| 8 | Hose, Overflow | 9242-449-002 | 1 |
| 9 | Clamp | 8654-117-018 | 2 |
| 10 | Tube, Over Suds | 9242-463-005 | 1 |
| * | Clamp | 8654-117-014 | 1 |
| 11 | Hose, Tub to Drain Valve | 9242-468-001 | 1 |
| 12 | Valve, Drain | 9379-199-002 | 1 |
| * | Screw, Valve to Bracket 1/4x3/4 | 9545-030-002 | 2 |
| 13 | Hose, Drain Valve to Tube | 9242-451-002 | 1 |
| * | Clamp, Hose (Drain Valve to Tube) & (Drain Hose to Valve) | 8654-117-009 | 2 |
| * | Screw Tube (Bracket to Base 1/4B x 3/4) | 9545-030-002 | 2 |
| 14 | Tube Assy, Drain | 9915-132-002 | 1 |
| 15 | Hose, Vacuum Brkr. to Tub | 9242-458-001 | 1 |
| * | Clamp | 8654-117-015 | 2 |



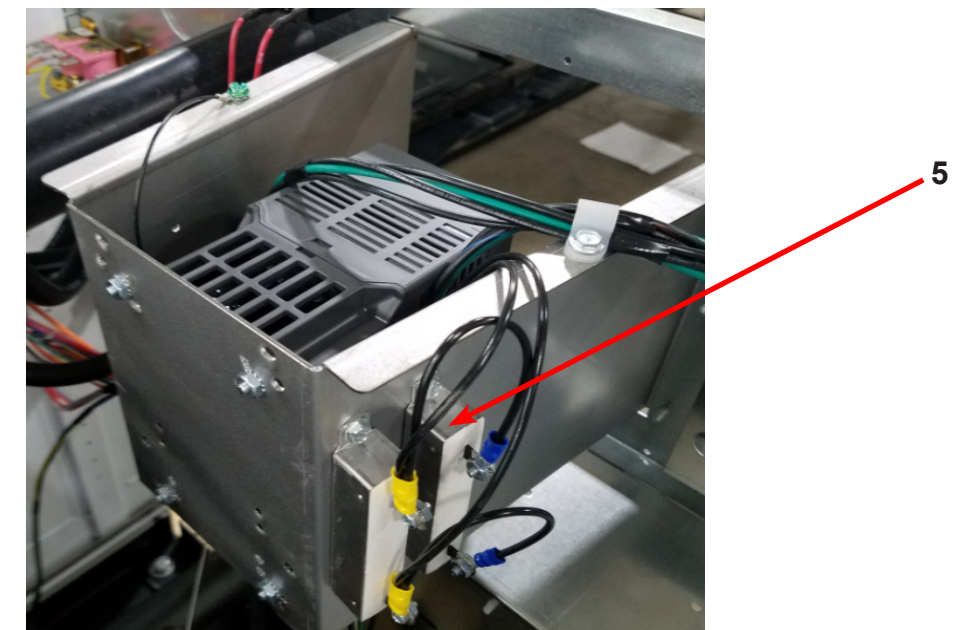
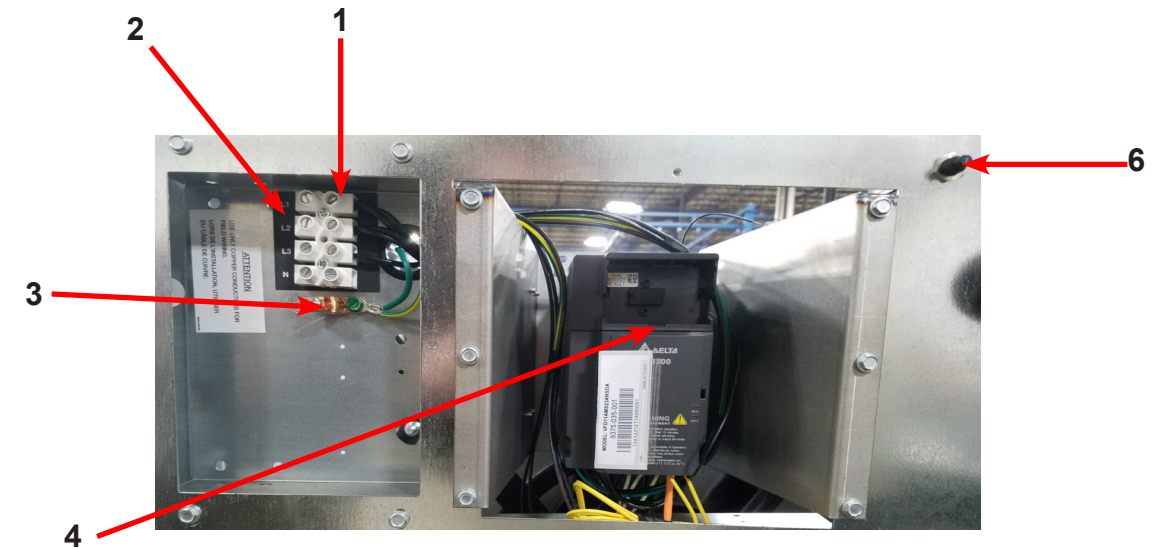
Electrical Components, Control Trough

| Key | Description | Part Number | Qty |
|-----|--|--------------|-----|
| 1 | Trough Assy,Controls 208-240 volt | 9857-228-001 | 1 |
| | Trough only | 9839-018-001 | 1 |
| 2 | Transformer, Control (208/230/60 Hz In 24 VAC Out Volts) | 8711-004-004 | 1 |
| * | Wire Assembly, Red 28" | 8220-062-025 | 2 |
| * | Screw, #10B x 1/2 | 9545-008-026 | 4 |
| * | Lockwasher #10 | 8641-582-006 | 4 |
| * | Wire Assembly, BLK/BLU | 8220-001-231 | 1 |
| * | Wire Assembly, BLK/RED | 8220-001-230 | 1 |
| 3 | Terminal Block Assy, POWER | 9897-026-004 | 1 |
| * | Screw, Mtg 8ABx1/2" | 9545-045-012 | 2 |
| * | Harness-extention, Transformer | 9627-826-001 | 1 |
| * | Screw, 8B x 1/4 | 9545-045-001 | 2 |
| * | Lockwasher #10 | 8641-582-006 | 2 |
| * | Wire Assembly, P12, Red 7" | 9631-381-018 | 1 |
| 4 | PCB assembly Relay Main | 9473-006-001 | 1 |
| * | PCB support 3/8 edge Holding | 9548-285-001 | 10 |
| * | Wiring Harness, Door Lock P15/P4 | 9627-816-002 | 1 |
| * | Wiring Assembly Yel. 32" P14 & P13 | 8220-064-023 | 2 |
| 5 | Wiring Harness, Drain,Thermo,Door LockP17 | 9627-820-002 | 1 |
| 6 | Wiring Harness WaterValve/P19 | 9627-795-004 | 1 |
| 7 | Wiring Harness P8/P16 | 9627-819-001 | 1 |
| * | Wiring Harness P20/P21 | 9627-818-002 | 1 |
| 8 | Sensor-Pressure Switch | 9732-315-001 | 1 |
| 9 | Harness Assembly, Pressure Switch | 9627-908-015 | 1 |
| 10 | Wiring Harness-Main | 9627-914-002 | 1 |



Electrical Components, Upper Channel Part

| Key | Description | Part Number | Qty |
|-----|--|--------------|-----|
| 1 | Terminal Block Assy, POWER | 9897-033-002 | 1 |
| * | Screw, Mtg 6ABx3/4" | 9495-031-010 | 2 |
| 2 | Strip, Terminal Marker | 9558-025-001 | 1 |
| 3 | Terminal, Lug-Solderless (Ground) | 8652-134-001 | 1 |
| * | Screw, 10-32TTx1/2 Green (Control Trough) | 9545-008-027 | |
| * | Wiring Harness Power Terminal To VFD & Control Transformer and ground wire | 9627-747-003 | 1 |
| 4 | VFD Delta drive 208-240 volt | 9375-034-004 | 1 |
| * | Cable, Data Communication | 9806-025-002 | 1 |
| * | Wiring Assembly Yel. 32" | 8220-064-023 | 2 |
| 5 | Braking resistors (200 ohm) | 9483-004-002 | 2 |
| * | Wire Assembly-Jumper, BLK (Breaking Resistors) | 8220-117-002 | 2 |
| * | Label Fusing and Installation 7 amp Rear | 8502-619-004 | 1 |
| 6 | Circuit Breaker 7 AMP | 5198-211-002 | 1 |
| * | Plate Mouting water valves | 9452-691-001 | 1 |

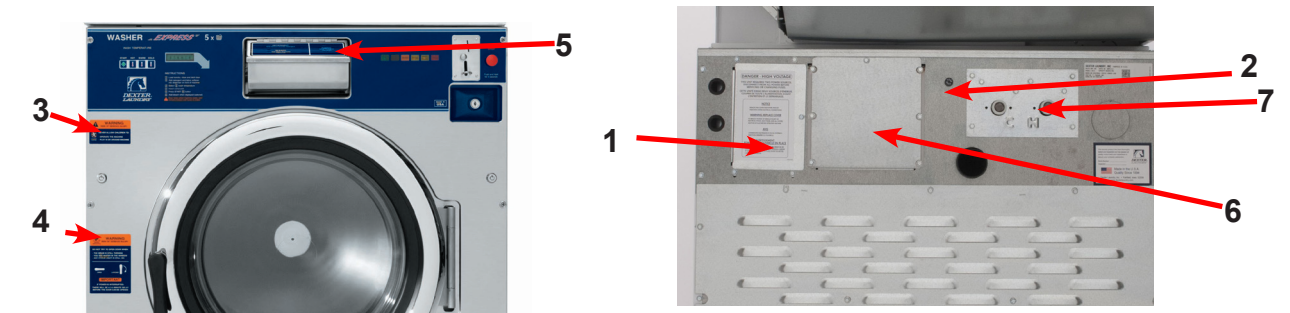


Front Panel Control Group Part

| Key | Description | Part Number | Qty |
|-----|--|--------------|-----|
| * | Nameplate,Control Panel Blue (one piece) | 9412-238-002 | 1 |
| * | Nameplate,Control Panel Black(one piece) | 9412-238-001 | 1 |
| 1 | PCB assembly Control /Display | 9473-010-001 | 1 |
| * | Spacer Pushbutton (Micro) | 9538-192-001 | 1 |
| * | Retainer Pushbutton (Micro) | 9486-158-001 | 1 |
| * | Nut Hexelasticstop #4-40 | 8640-424-002 | 2 |
| * | Pushbutton Control (coin) | 9035-062-001 | 1 |
| * | Spacer Plastic #6x9/16 | 9538-157-018 | 5 |
| * | Nut Elasticstop #6-32 | 8640-411-002 | 4 |
| * | Nut-Hexkeps, #6-32 | 8640-411-003 | 1 |
| 2 | Harness LEDPCB | 9627-797-001 | 1 |
| 3 | Harness Doorlock, Switches | 9627-816-002 | 1 |
| 4 | PCB assembly Mode lights | 9473-005-001 | 1 |
| * | Spacer Plastic #6x9/16 | 9537-157-018 | 2 |
| * | Nut Hexkeps #6-32 | 8640-411-003 | 2 |
| 5 | Switch Assembly Emergency Stop (includes Wire Harness) | 9732-223-002 | 1 |
| * | Spacer Plastic #8x5/16 E-Stop | 9538-157-020 | 2 |
| * | Nut HexKep #8-32 E-Stop | 8640-412-005 | 2 |
| * | Plate to mount e-stop button | 9452-725-001 | 1 |
| 6 | Door Locking Actuator 24 volts | 9892-017-002 | 1 |
| * | Hex Nuts (mounting gear motor to control) | 8640-412-005 | 4 |
| 7 | Battery | 8612-001-001 | 1 |
| 8 | Program-switch | 9539-495-001 | 1 |
| * | Wiring Harness program switch | 9627-910-002 | 1 |
| * | Bracket-Program switch | 9029-267-001 | 1 |

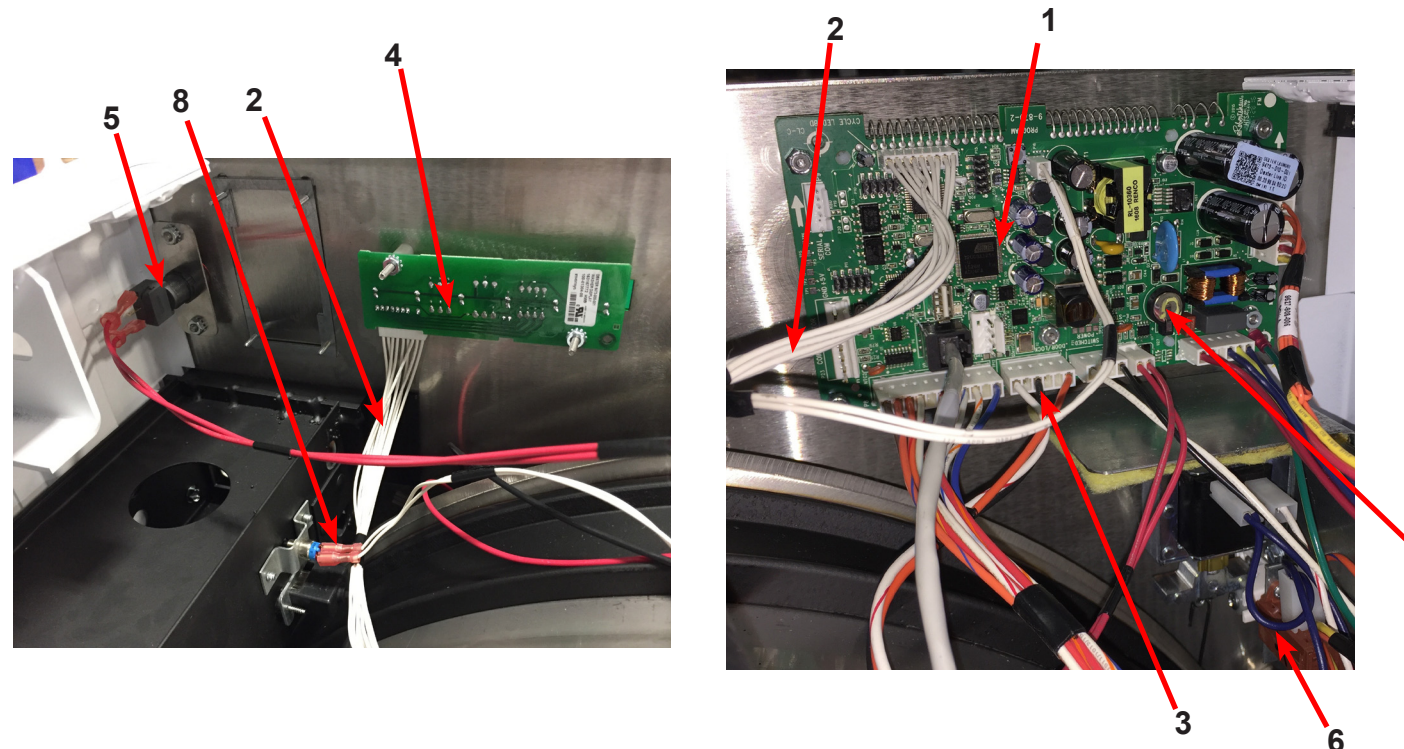
Labels and Diagrams by Part

| Key | Description | Part Number | Qty |
|-----|--------------------------------------|--------------|-----|
| * | Wiring Diagram, Coin | 9506-809-001 | 1 |
| 1 | Label High Voltage Warning | 8502-614-004 | 1 |
| * | Cover controls | 9074-267-001 | 1 |
| 2 | Label Fusing & Installation | 8502-619-004 | 1 |
| 3 | Label Warning Risk of Injury Blue | 8502-759-002 | 1 |
| * | Label Warning Risk of Injury Black | 8502-759-001 | 1 |
| 4 | Label Warning Door Opening Blue | 8502-757-002 | 1 |
| * | Label Warning Door Opening Black | 8502-757-001 | 1 |
| * | Booklet Owners | 8514-281-001 | 1 |
| 5 | Label, Dispenser Instructions, Blue | 8502-756-002 | 1 |
| * | Label, Dispenser Instructions, Black | 8502-756-001 | 1 |
| 6 | Cover-Motor Control | 9074-268-001 | 1 |



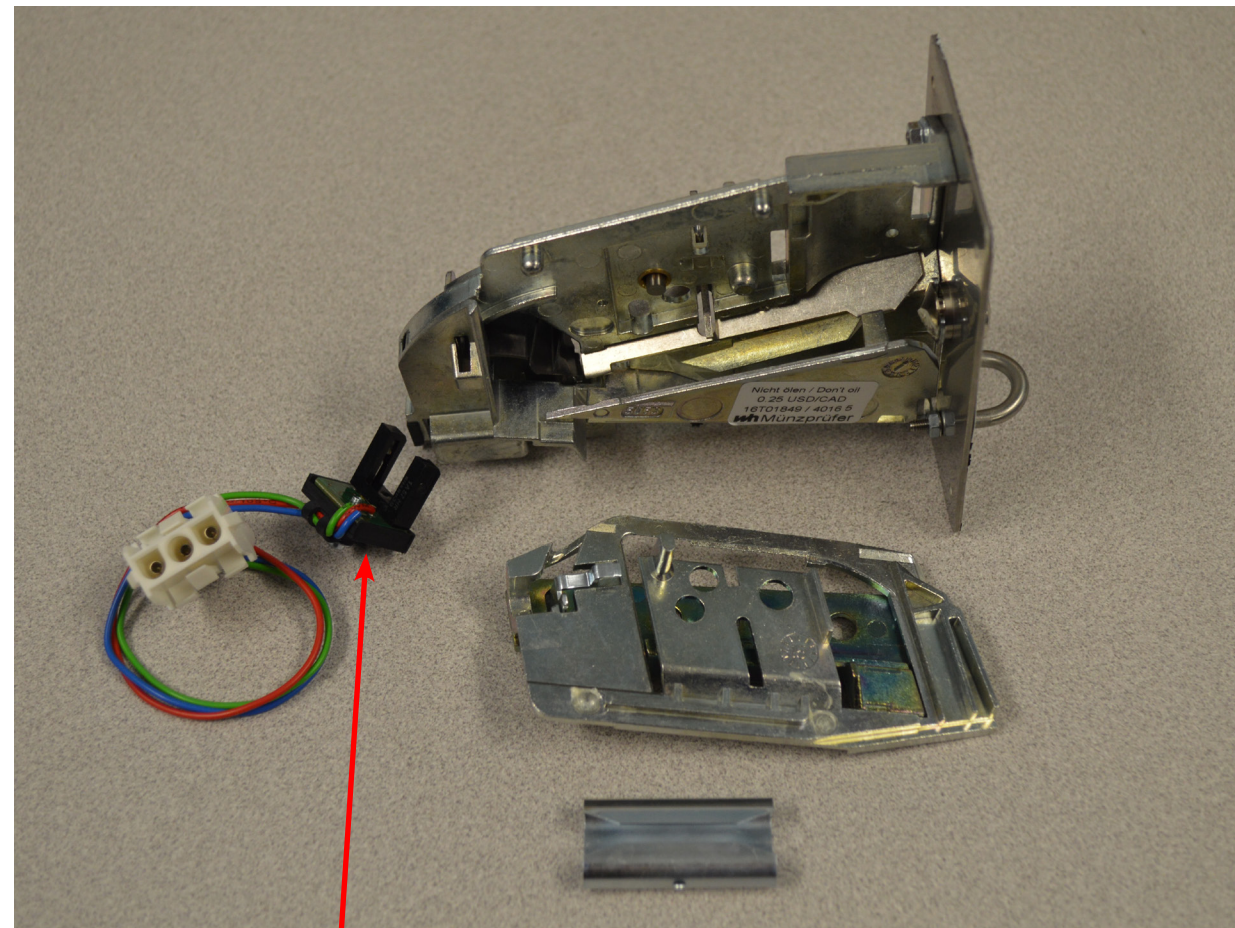
Coin Handling by Part

| Key | Description | Part Number | Qty |
|-----|---|--------------|-----|
| 8 | Vault, Assy | 9942-028-003 | 1 |
| * | Screw, 10B x 1/2" Vault Mtg | 9545-008-026 | 4 |
| 9 | Coin Acceptor Complete (Optical Switch) | 9021-094-001 | 1 |
| * | Screw, Acceptor Mtg | 9545-053-002 | 4 |
| * | Retainer-coinacceptor | 9486-145-001 | 1 |
| * | Harness Coin Switch | 9627-916-001 | 1 |



Coin Handling Group

| Key | Description | Part Number | Qty |
|---------------------------|---|--------------|-----|
| | Coin Acceptor, Optical, SWD, US Quarter | 9021-094-001 | 1 |
| * | Harness-Extension ,Control to Acceptor, Optical Dryer | 9627-916-001 | 1 |
| * | Retainer, Coin Acceptor | 9486-145-001 | 1 |
| * | Screw, Torx | 9545-053-002 | 4 |
| 1 | Switch Assembly, Optical Sensor, SWD | 9801-099-003 | 1 |
| * | Screw-Height Bar, 3mm | 9545-039-002 | 2 |
| Below not included | | | |
| * | Harness, Acceptor Mechanical (Control to Acceptor) | 9627-783-003 | 1 |
| * | Coin Vault | 9942-028-003 | 1 |
| | Screw, 10AB X 1/2 | 9545-008-024 | 2 |



1

Coin Handling Group Electronic

| Key | Description | Part Number | Qty |
|---------------------------|--|--------------|-----|
| | Kit, Electronic Coin Acceptor | 9732-303-004 | 1 |
| | Acceptor-Electronic, US/CA | 9021-054-001 | 1 |
| | Harness, Control to Acceptor, Dryer | 9627-909-003 | 1 |
| | Harness, Control to Acceptor, Washer | 9627-909-002 | 1 |
| | Label-Wiring, Electronic Acceptor | 8502-730-001 | 1 |
| | Retainer Coin Acceptor, Electronic | 9486-155-001 | 2 |
| | Screw, 4B x 5/8 ss, Torx T-10 | 9545-053-002 | 4 |
| Below not included | | | |
| | Harness, Adaptor Electronic to Mechanical switch | 9627-901-001 | |

