

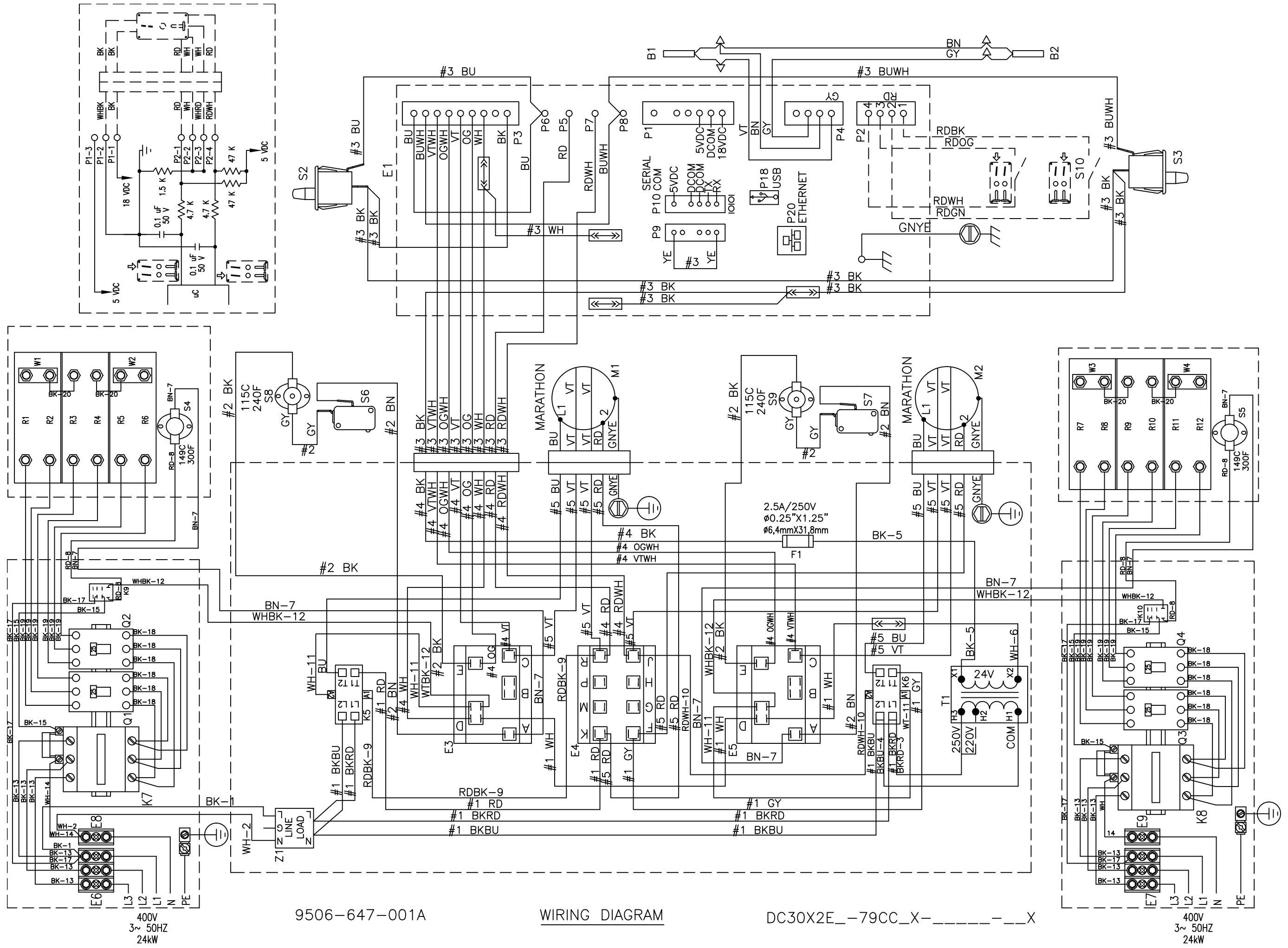
9506-647-001A

SCHEMATIC

DC30X2E\_-79CC\_X-\_-\_-\_-X

Q4 25A 415V

1. → S10 → S10
2. → S2, → S2.
3. → + + → K1
4. → → → M1
5. ? →



9506-647-001A

WIRING DIAGRAM

DC30X2E\_-79CC\_X-\_-\_-\_-X

400V  
3~ 50HZ  
24kW

400V  
3~ 50HZ  
24kW